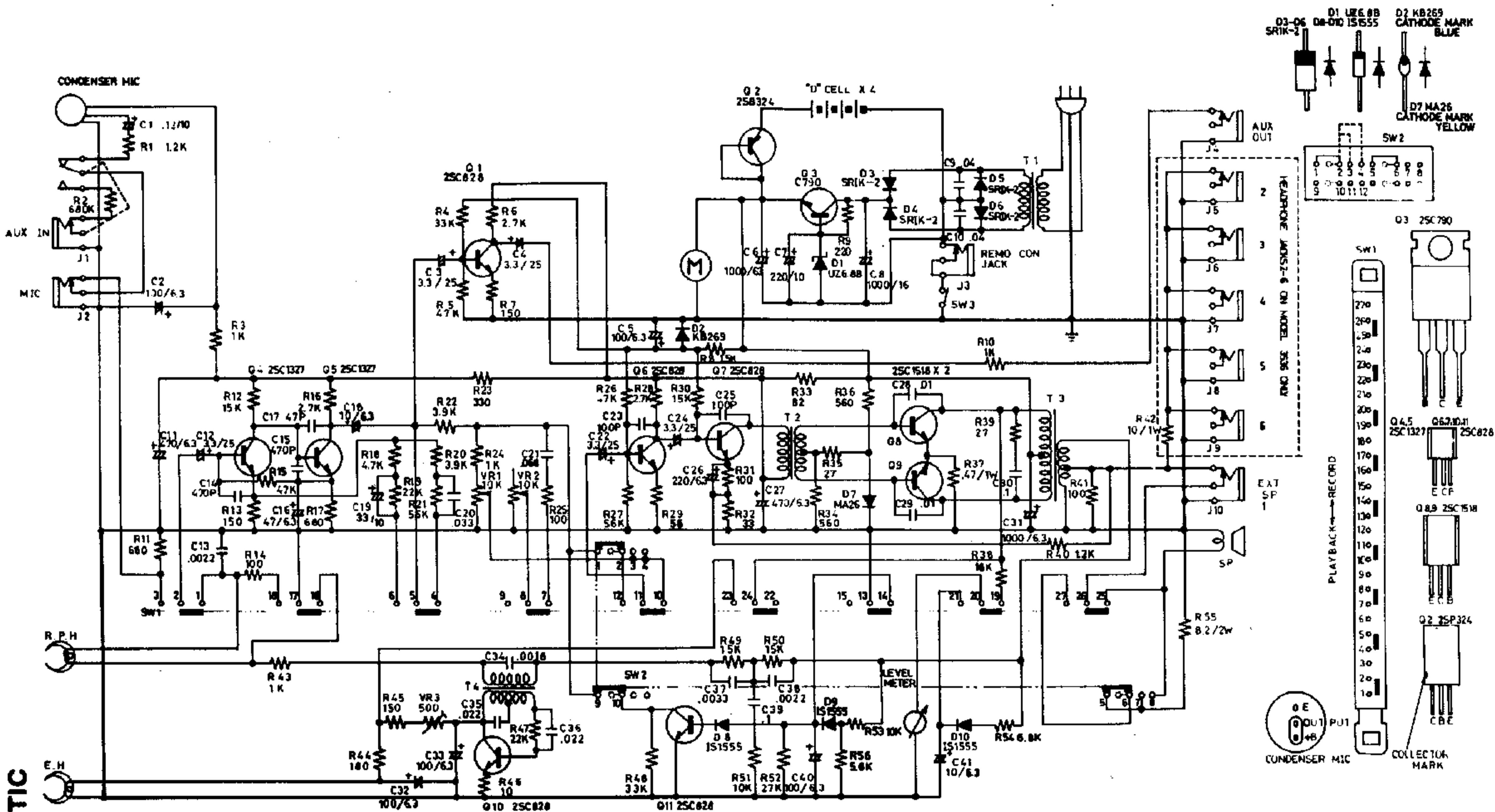


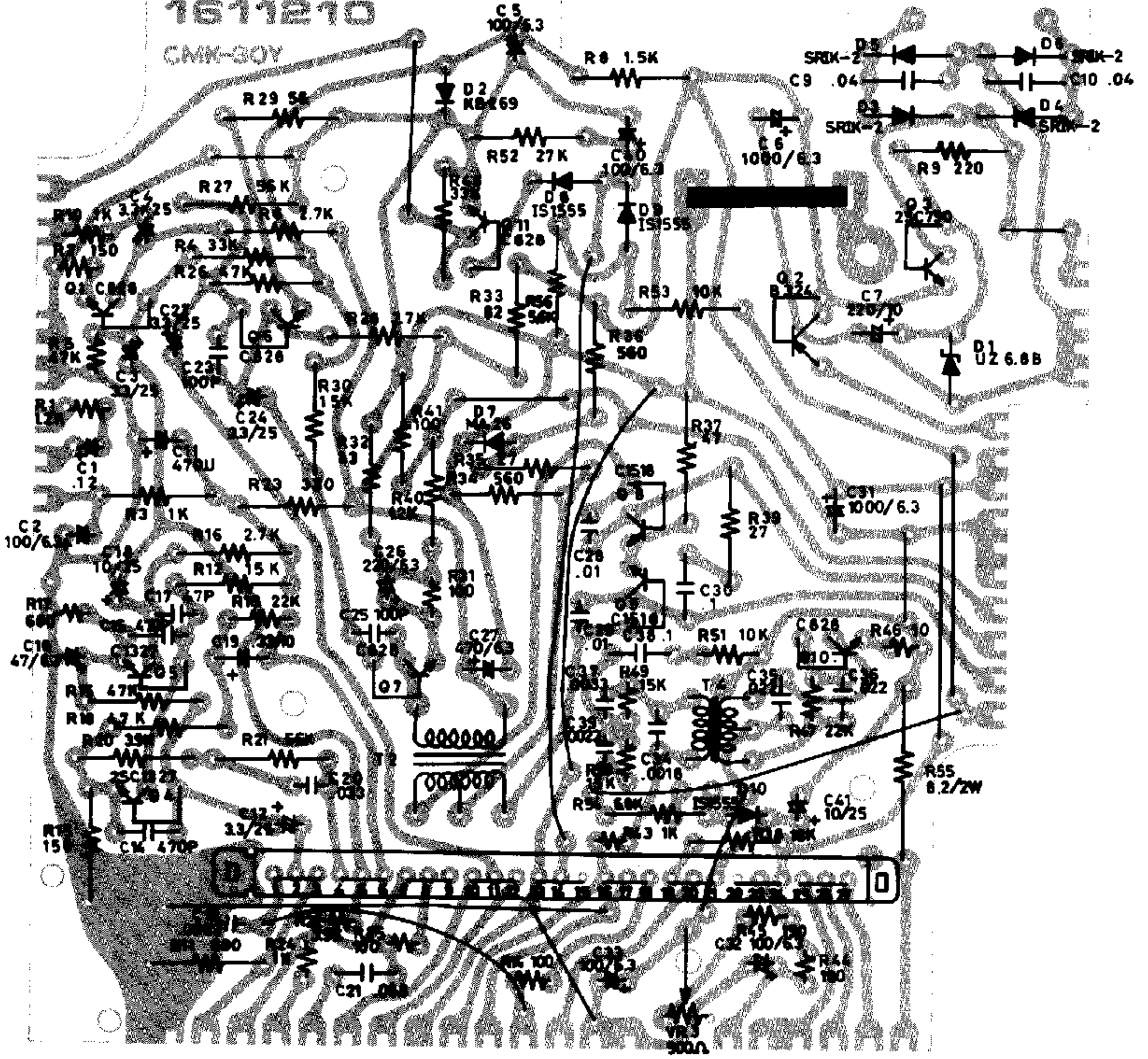
**3530/3536 SCHEMATIC  
TYPE I**



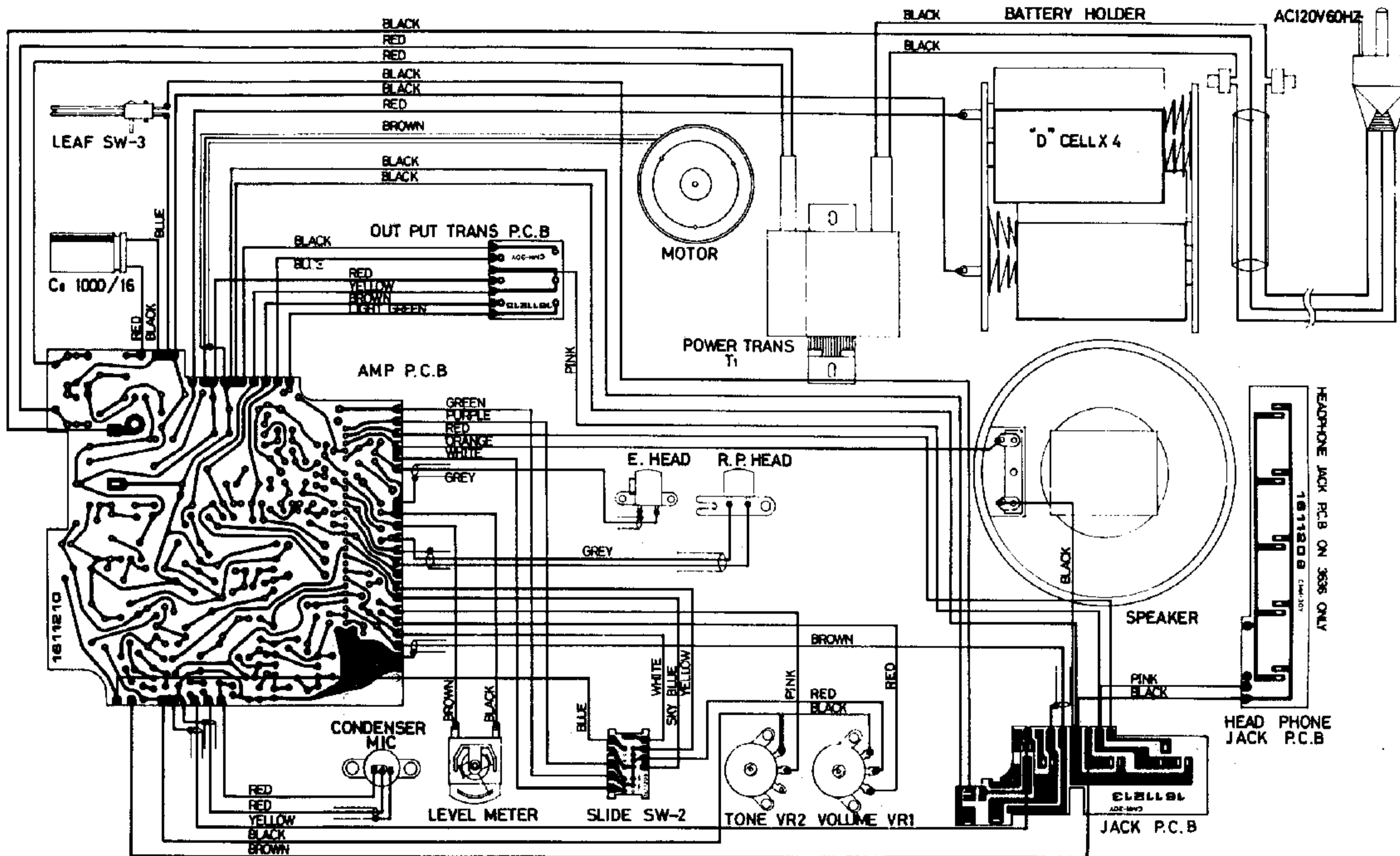
- NOTES  
 1. SW1 RECORD PLAYBACK SW. SHOWN IN PLAYBACK POSITION.  
 2. SW2 MONITOR-ALC ON/OFF SW. SHOWN IN ALC POSITION.  
 3. SW3 MAIN SW.

# 3530/3536 AMPLIFIER COMPONENT IDENTIFICATION TYPE I

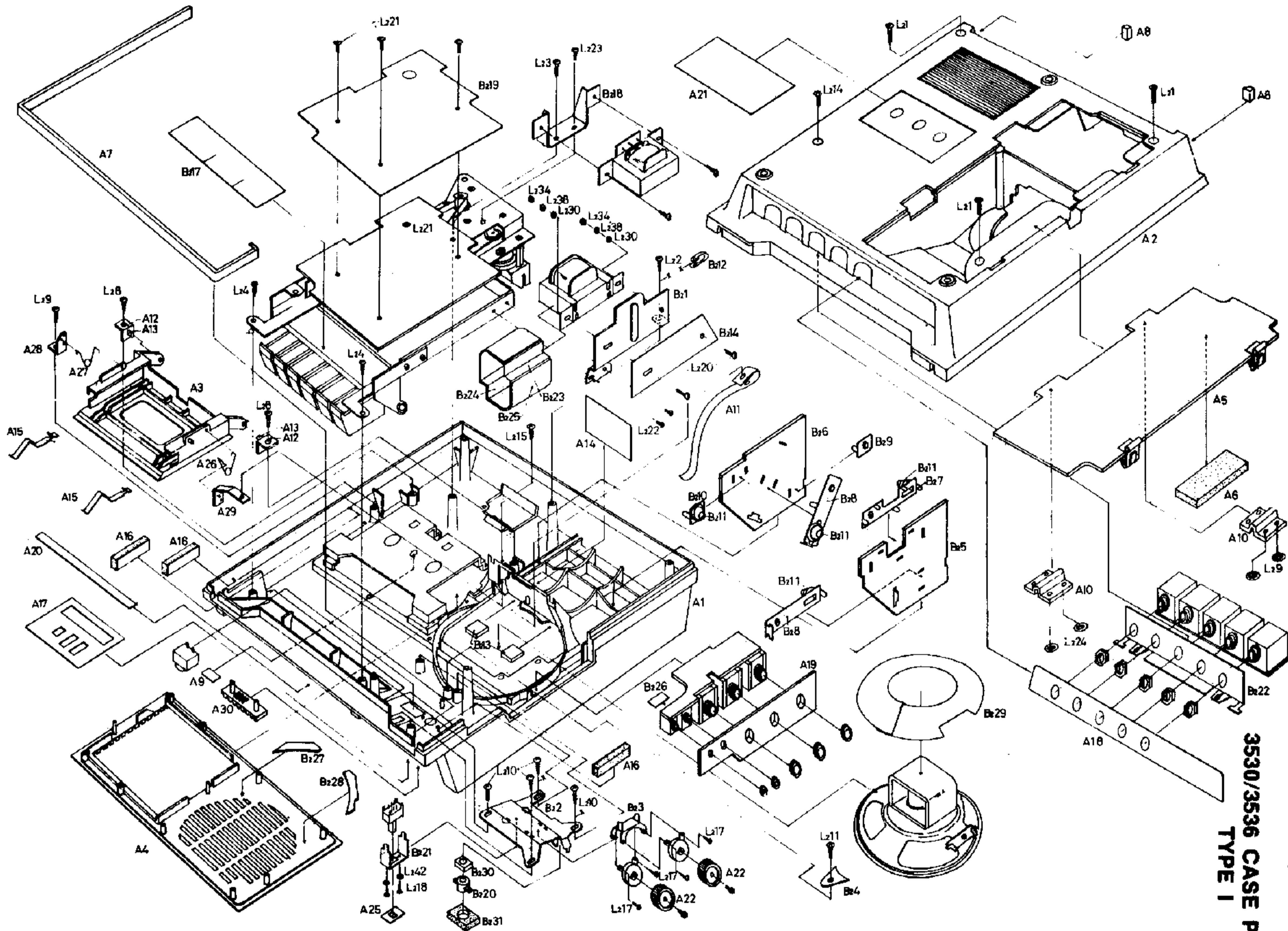
1611210  
CMM-30Y



3530 AND 3536 WIRING

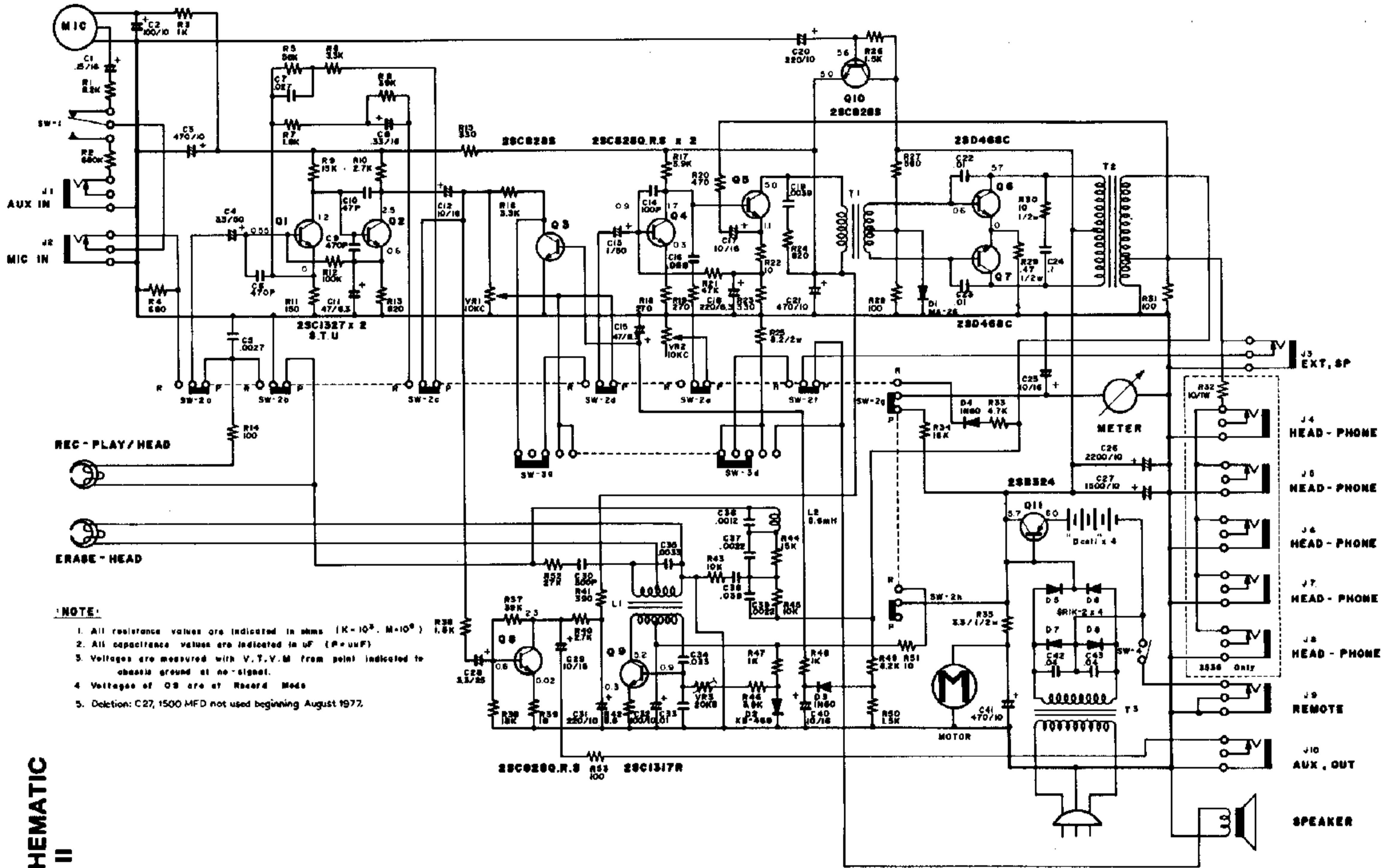


3530/3536 WIRING DIAGRAM  
TYPE I

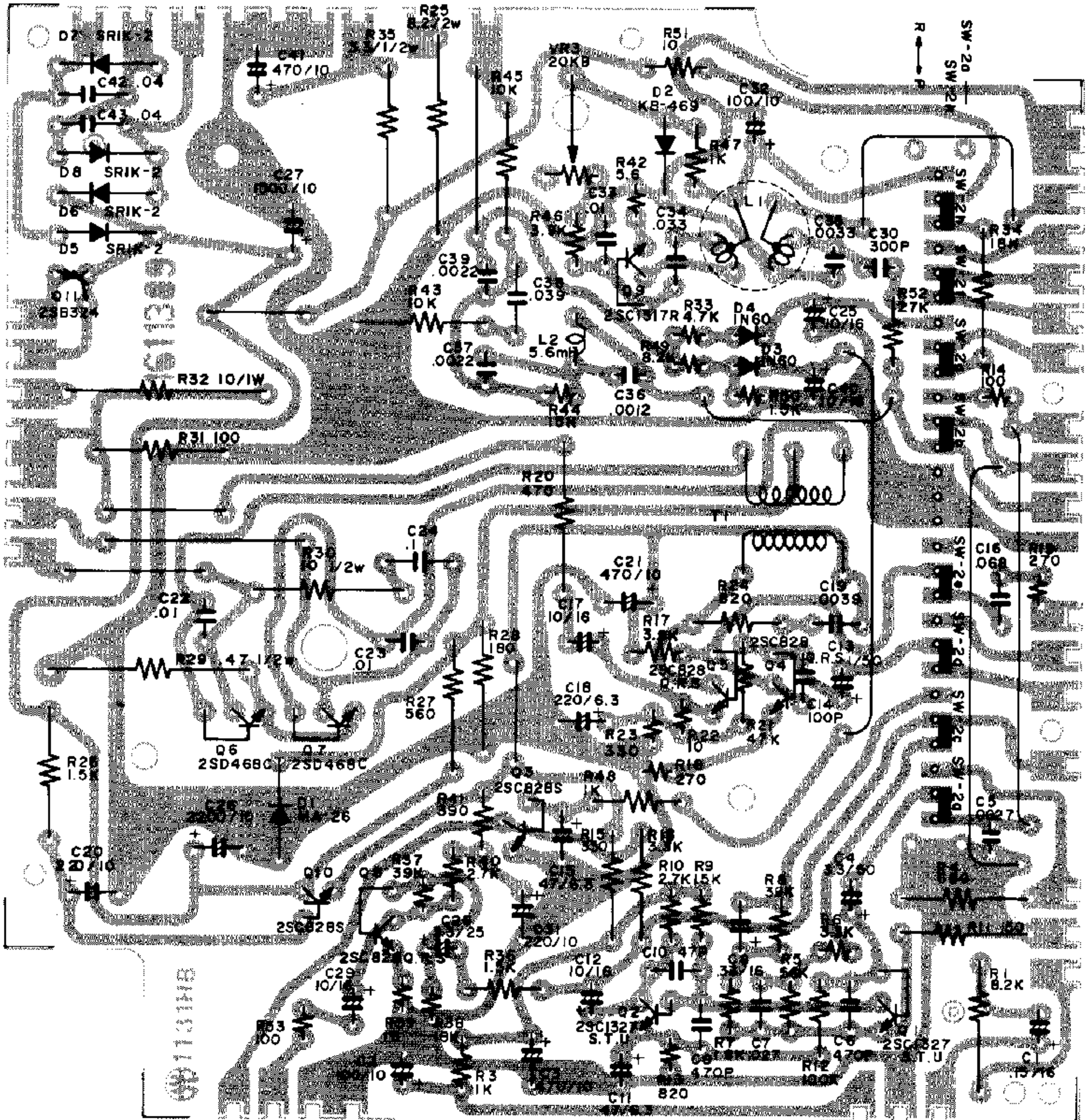


**3530/3536 CASE PARTS  
TYPE I**

**3530/3536 SCHEMATIC  
TYPE II**



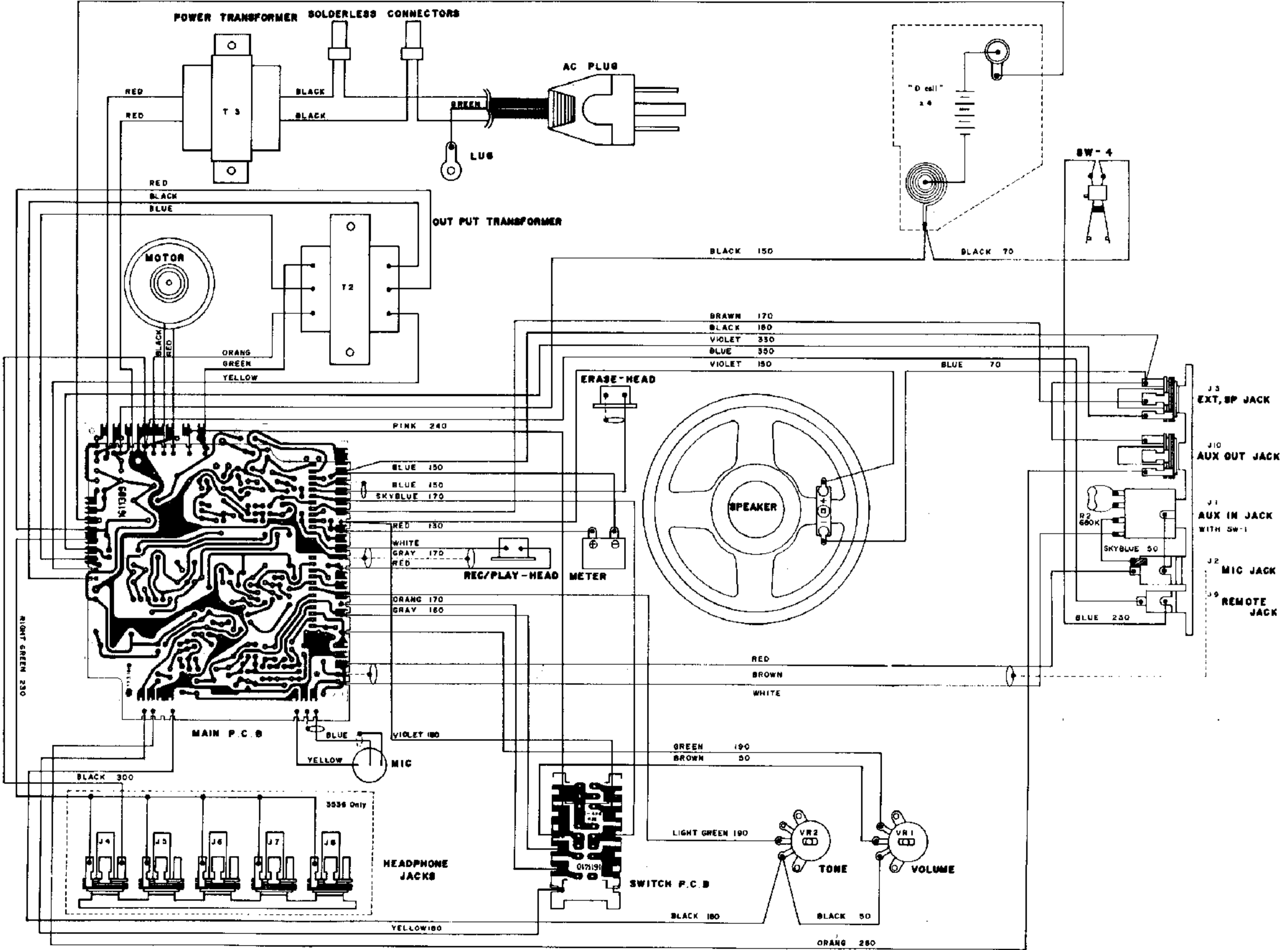
# 3530/3536 AMPLIFIER COMPONENT IDENTIFICATION TYPE II

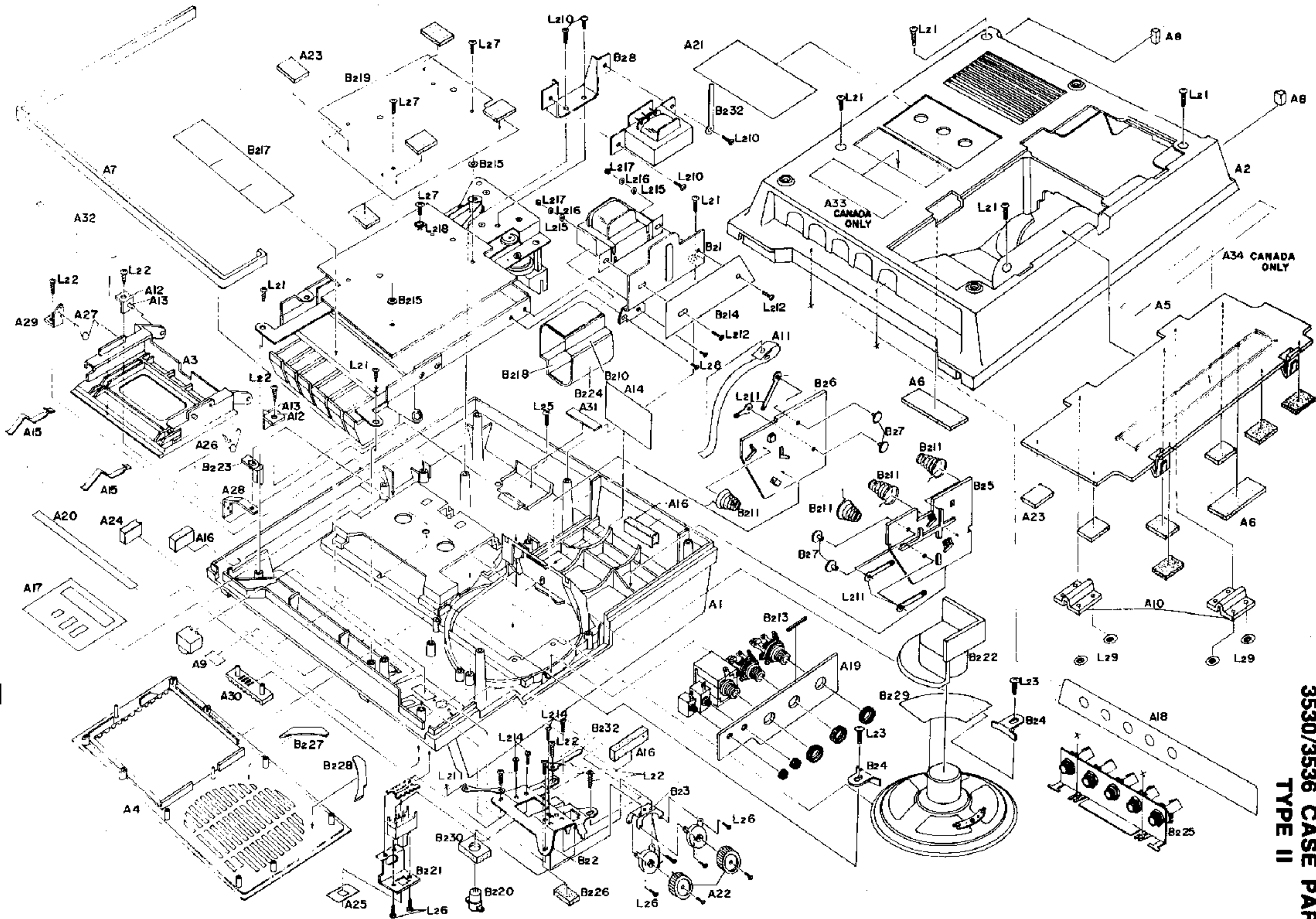


NOTE: R32 is not used for model 3530

3530/3536 WIRING DIAGRAM TYPE II

FINK 240





**3530/3536 CASE PARTS  
TYPE II**



### 3530/3536 MECHANISM PARTS

