

Issue Date: 30th November 2004

SERVICE MANUAL



SPECIFICATIONS:

D/A Converter	Crystal CS4338 24-Bit/96kHz Capable
Freq response (-0.5dB)	10Hz to 20kHz
THD	0.007%
Dynamic Range	> 89dB
Digital Outputs	Opt and Coax
Dimensions mm (HxWxD)	70 x 430 x 310
Weight (kg)	4.6

AP16820/1

340C SERVICE MANUAL

TABLE OF CONTENTS

Safety Precautions & Important Notes_____	3
Laser Safety Precautions_____	4
Exploded Assembly Drawing_____	5
Front Panel PCB Schematic_____	6
Front Panel PCB Layout (Top Side)_____	7
Front Panel PCB Layout (Bottom Side)_____	8
Output PCB Schematic_____	9
Output PCB Layout (Top Side)_____	10
Output PCB Layout (Bottom Side)_____	11
Mains PCB Schematic_____	12
Mains PCB Layout (Top Side)_____	13
Mains PCB Layout (Bottom Side)_____	14
Servo PCB Schematic_____	15
Servo PCB Schematic (Power Supply)_____	16
Servo PCB Layout (Top Side)_____	17
Servo PCB Layout (Bottom Side)_____	18
Front Panel PCB BOM_____	19
Output PCB BOM_____	20
Main Assembly BOM_____	21/22
Servo PCB BOM_____	23/24
IC Pin Layout Details_____	25-29

SAFETY PRECAUTIONS & IMPORTANT NOTES

1. Check that the rear of the product indicates the correct supply voltage for your area.



2. The lightning flash with the arrowhead within an equilateral triangle is intended to alert the user or service agent to the presence of dangerous voltages within the product enclosure that may be of sufficient magnitude to constitute a risk of electric shock to persons.



3. The exclamation point within an equilateral triangle is intended to alert the user or service agent to the presence of important operating and maintenance (Servicing) instructions in the literature accompanying the appliance.

4. This product complies with EEC Low Voltage (73/23/EEC) and Electromagnetic Compatibility (89/336/EEC) Directives when used and serviced in accordance with this manual. For continued compliance all components marked safety and EMC critical must only be replaced by Cambridge Audio approved parts.

5. Any unauthorised design alterations or additions will void the manufacturer's warranty; furthermore the manufacturer cannot accept responsibility for personal injury or property damage resulting therefrom.

6. When servicing, care should be taken to observe the original routing and dressing of the leads and it should be confirmed that they have been returned to normal after re-assembly.

Notes on chip component replacement

Never reuse a component that has been removed from a PCB

Notice that the minus side of a tantalum capacitor may be damaged by heat

COPYRIGHT NOTICE.

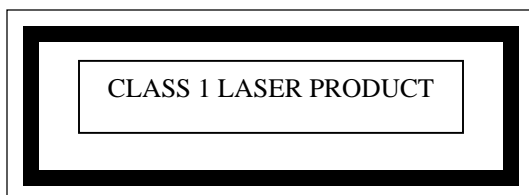
© 2005 Audio Partnership PLC. All rights reserved.

Cambridge Audio and Azur are registered trademarks of Audio Partnership PLC. This document may not be reproduced, distributed, transmitted, displayed, published, or broadcast without the express written prior permission of Audio Partnership PLC.

Alteration or removal of any trademark, copyright, or other notice from this content is prohibited. Information provided in this document is provided solely for the use of official service agents in repairing and servicing Audio Partnership PLC products.

LASER SAFETY PRECAUTIONS

Caution: These labels may be attached to the unit on the rear and inside to inform that it contains a laser component. Use of controls or adjustments, or performance of procedures other than those specified within the service or instruction manual may result in hazardous radiation exposure.



WARNING!

1. Service should only be performed by qualified personnel.
2. This equipment has been designed and manufactured to meet international safety standards; it is the legal responsibility of the repairer to ensure that these safety standards are maintained.
3. Any repairs must be made in accordance with the relevant safety standards.
4. It is essential that safety and EMC critical components are replaced with Cambridge Audio approved parts only.

NOTES ON HANDLING THE OPTICAL PICK-UP BLOCK OR BASE UNIT

The laser diode in the optical pick-up block may suffer electrostatic breakdown because of the potential difference generated by the charged electrostatic load, etc. on clothing and the human body.

During repair, pay attention to electrostatic breakdown and also use the procedure in the printed matter which is included in the repair parts.

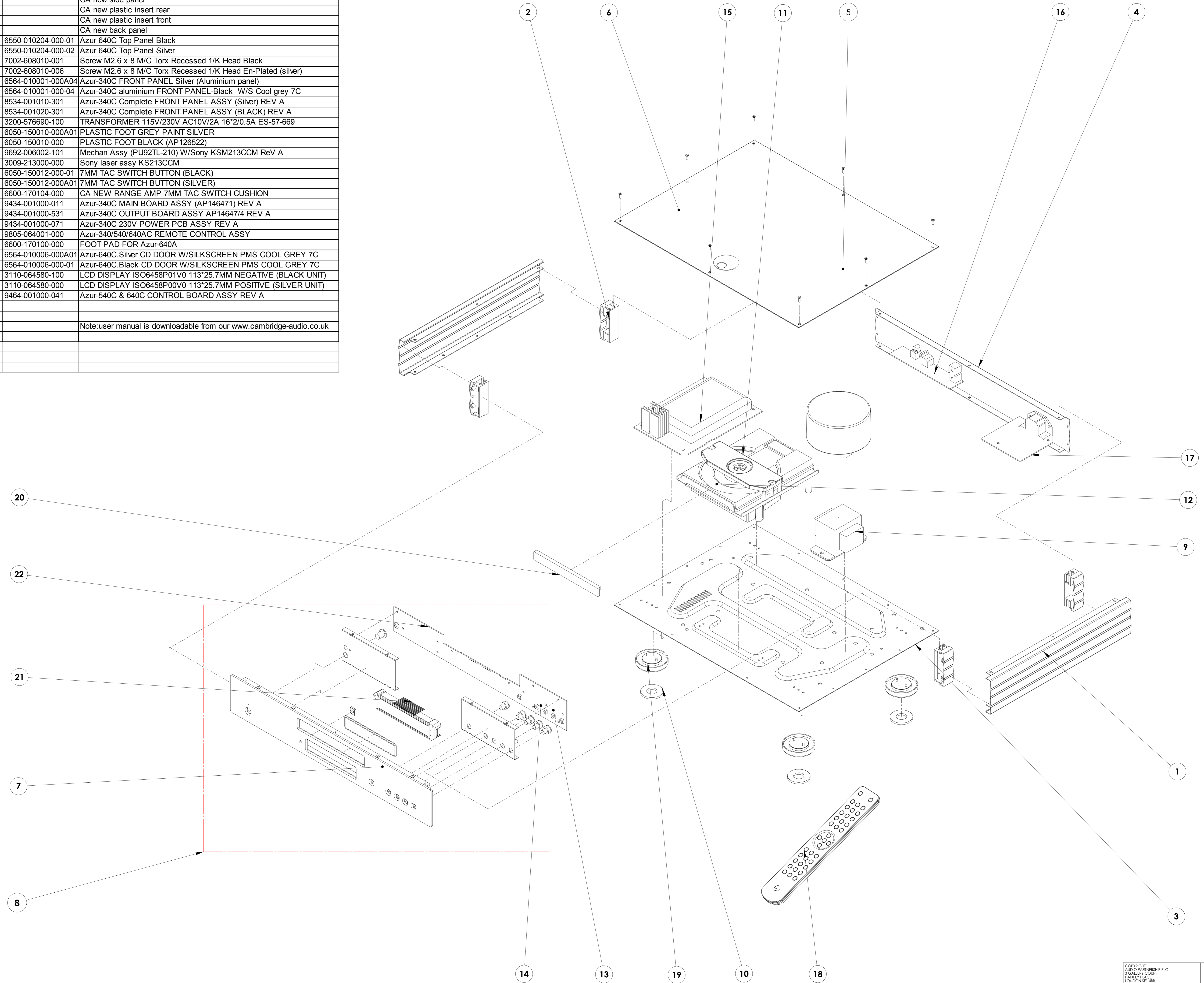
The flexible board is easily damaged and should be handled with care.

NOTES ON LASER DIODE EMISSION CHECK

The laser beam on this model is concentrated so as to be focused on the disc reflective surface by the objective lens in the optical pick-up block. Therefore, when checking the laser diode emission, observe from more than 30cm away from the objective lens.

Drawing ref	AP part	Factory ref	Description
1			CA new side panel
2			CA new plastic insert rear
3			CA new plastic insert front
4			CA new back panel
5	PY507	6550-010204-000-01	Azur 640C Top Panel Black
5	PY508	6550-010204-000-02	Azur 640C Top Panel Silver
6	PY515	7002-608010-001	Screw M2.6 x 8 M/C Torx Recessed 1/K Head Black
6	PY516	7002-608010-006	Screw M2.6 x 8 M/C Torx Recessed 1/K Head En-Plated (silver)
7	PY792	6564-010001-000A04	Azur-340C FRONT PANEL Silver (Aluminium panel)
7	PY786	6564-010001-000-04	Azur-340C aluminium FRONT PANEL-Black W/S Cool grey 7C
8	PY791	8534-001010-301	Azur-340C Complete FRONT PANEL ASSY (Silver) REV A
8	PY785	8534-001020-301	Azur-340C Complete FRONT PANEL ASSY (BLACK) REV A
9	PY563	3200-576690-100	TRANSFORMER 115V/230V AC10V/2A 16*2/0.5A ES-57-669
10	PY541	6050-150010-000A01	PLASTIC FOOT GREY PAINT SILVER
10	PY531	6050-150010-000	PLASTIC FOOT BLACK (AP126522)
11	PY340	9692-006002-101	Mechan Assy (PU92TL-210) W/Sony KSM213CCM Rev A
12	PY790	3009-213000-000	Sony laser assy KS213CCM
13	PY719	6050-150012-000-01	7MM TAC SWITCH BUTTON (BLACK)
13	PY720	6050-150012-000A01	7MM TAC SWITCH BUTTON (SILVER)
14	PY704	6600-170104-000	CA NEW RANGE AMP 7MM TAC SWITCH CUSHION
15	PY787	9434-001000-011	Azur-340C MAIN BOARD ASSY (AP146471) REV A
16	PY789	9434-001000-531	Azur-340C OUTPUT BOARD ASSY AP146474 REV A
17	PY788	9434-001000-071	Azur-340C 230V POWER PCB ASSY REV A
18	PY573	9805-064001-000	Azur-340/540/640AC REMOTE CONTROL ASSY
19	PY544	6600-170100-000	FOOT PAD FOR Azur-640A
20	PY568	6564-010006-000A01	Azur-640C Silver CD DOOR W/SILKSCREEN PMS COOL GREY 7C
20	PY554	6564-010006-000-01	Azur-640C Black CD DOOR W/SILKSCREEN PMS COOL GREY 7C
21	PY552	3110-064580-100	LCD DISPLAY ISO6458P01V0 113*25.7MM NEGATIVE (BLACK UNIT)
21	PY562	3110-064580-000	LCD DISPLAY ISO6458P00V0 113*25.7MM POSITIVE (SILVER UNIT)
22	PY556	9464-001000-041	Azur-540C & 640C CONTROL BOARD ASSY REV A

Note: user manual is downloadable from our www.cambridge-audio.co.uk



REVISIONS & DATE		
REV	EDITOR	DATE
1	GTL	26/11/04

REVISIONS NOTES:
1: ORIGINAL DRAWING 26/11/04.

DRAWING NOTES:

PROPRIETARY AND CONFIDENTIAL
THE INFORMATION CONTAINED IN THIS DRAWING IS THE SOLE PROPERTY OF AUDIO PARTNERSHIP PLC.
ANY REPRODUCTION IN PART OR AS A WHOLE WITHOUT THE WRITTEN PERMISSION OF AUDIO PARTNERSHIP IS PROHIBITED.

AUDIO PARTNERSHIP PLC
TITLE: 340C EXPLODED ASSEMBLY DRAWING.

SHEET NO. A0 DWG. NO. AP16809/1
SCALE: 1:5 DO NOT SCALE FROM DRAWING SHEET 1 OF 1

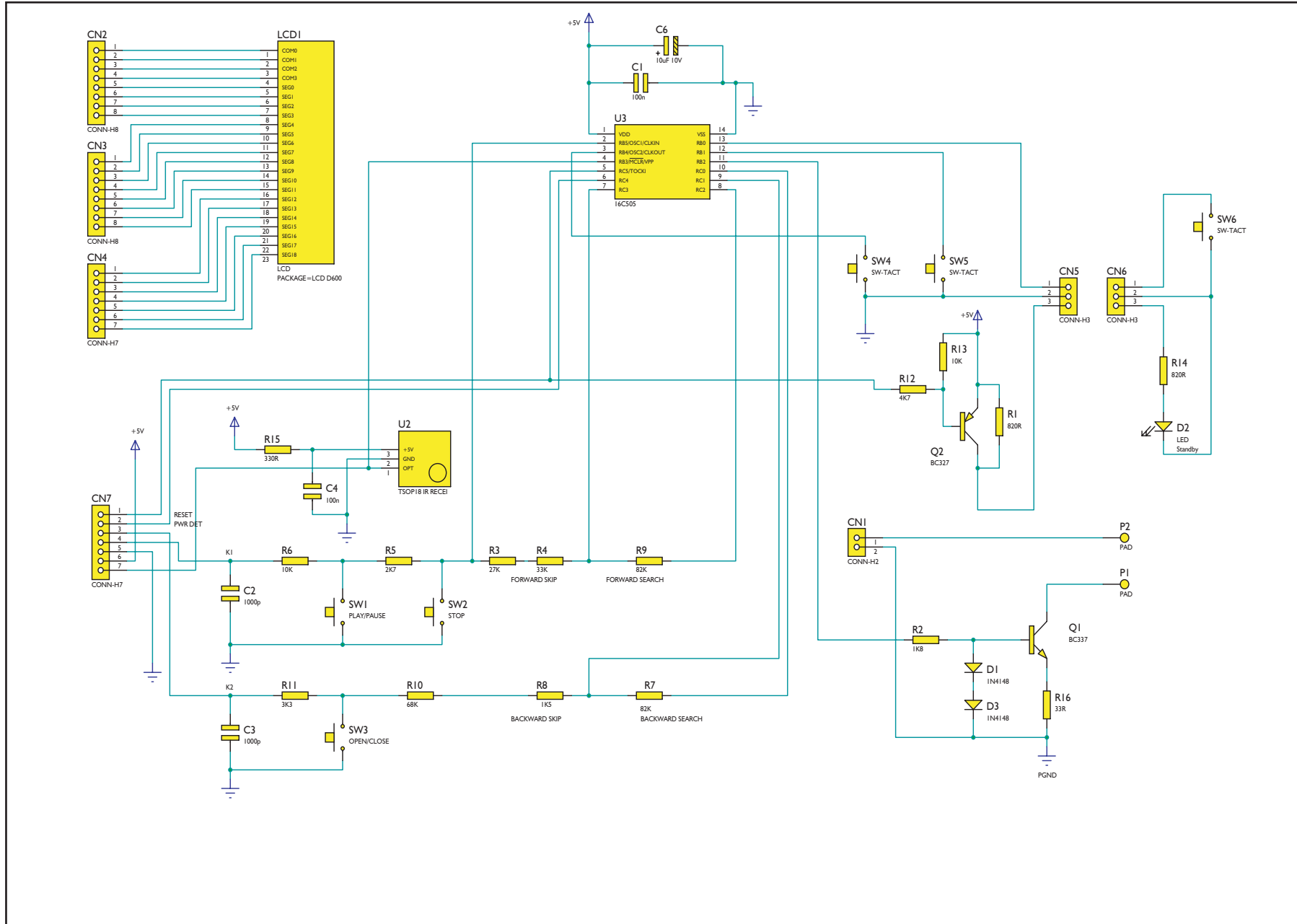
UNLESS OTHERWISE SPECIFIED:
DIMENSIONS ARE IN MM
TOLERANCES:
FRACTIONS 0.10mm
DECIMALS 0.10mm
ANGLES 0.5°

MATERIAL: --
FINISH: --

PROJECTION THIRD ANGLE

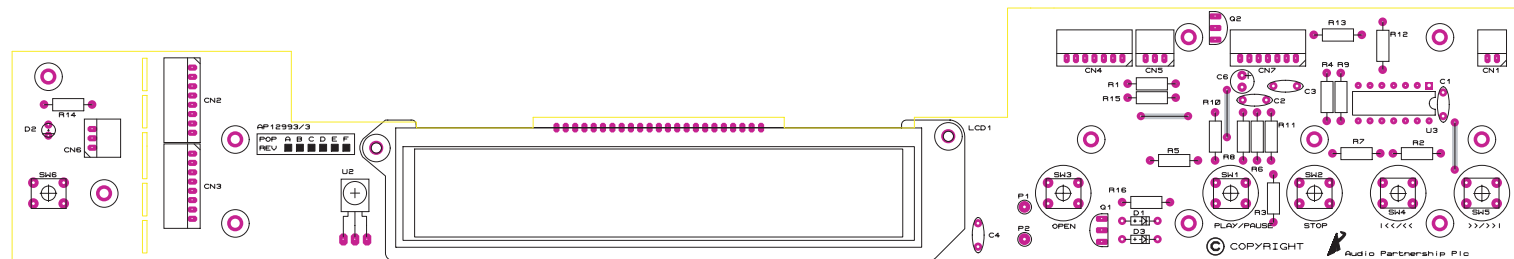
COPYRIGHT
AUDIO PARTNERSHIP PLC
3 GUILDFORD COURT
HANKLEY PLACE
LONDON SE18 4BB
TEL: 0207 482 2200
FAX: 0207 462 2203
E-MAIL: graphics@audiopartnership
E-MAIL: tech@audiopartnership
E-MAIL: simon.beech@audiopartnership

Cambridge Audio Azur 340C CD Player



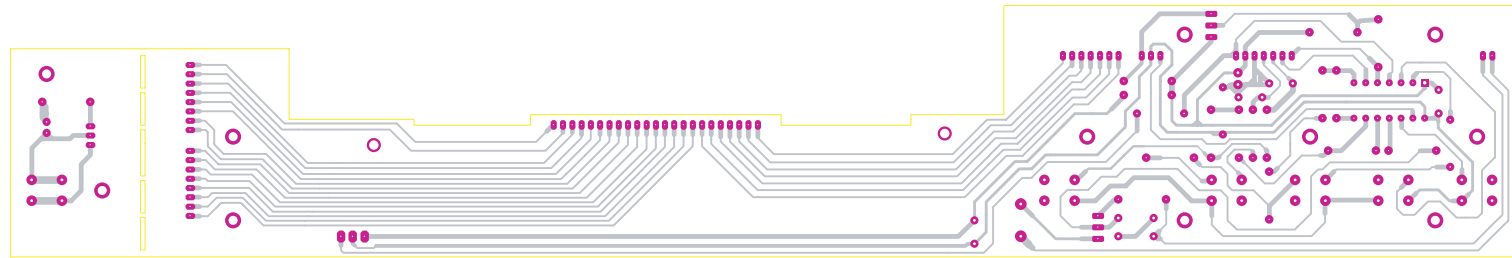
AP12992/3 Front Panel PCB Schematic

Cambridge Audio Azur 340C CD Player



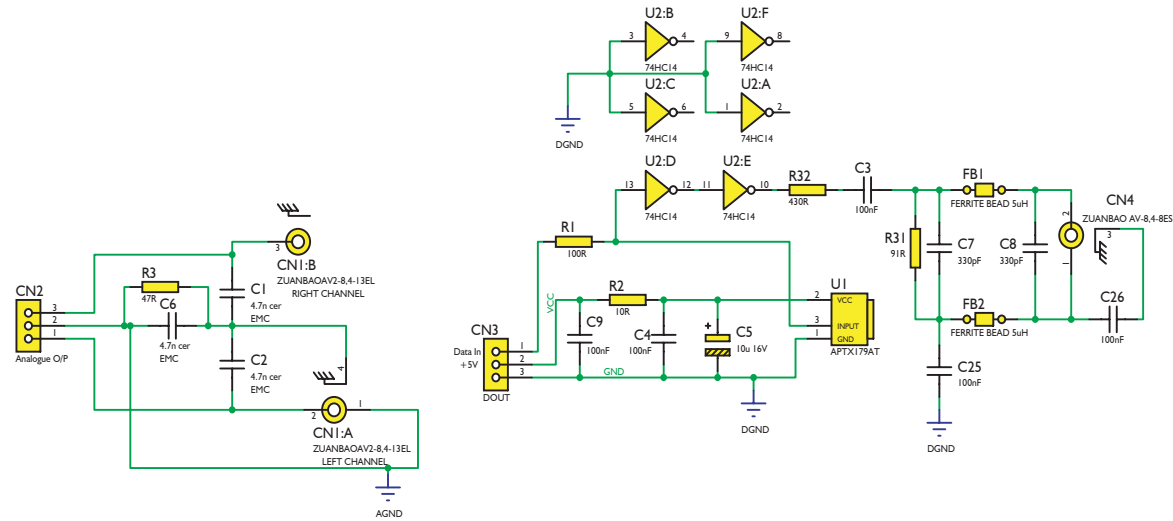
API2992/3 Front Panel PCB Layout (Top Side)

Cambridge Audio Azur 340C CD Player



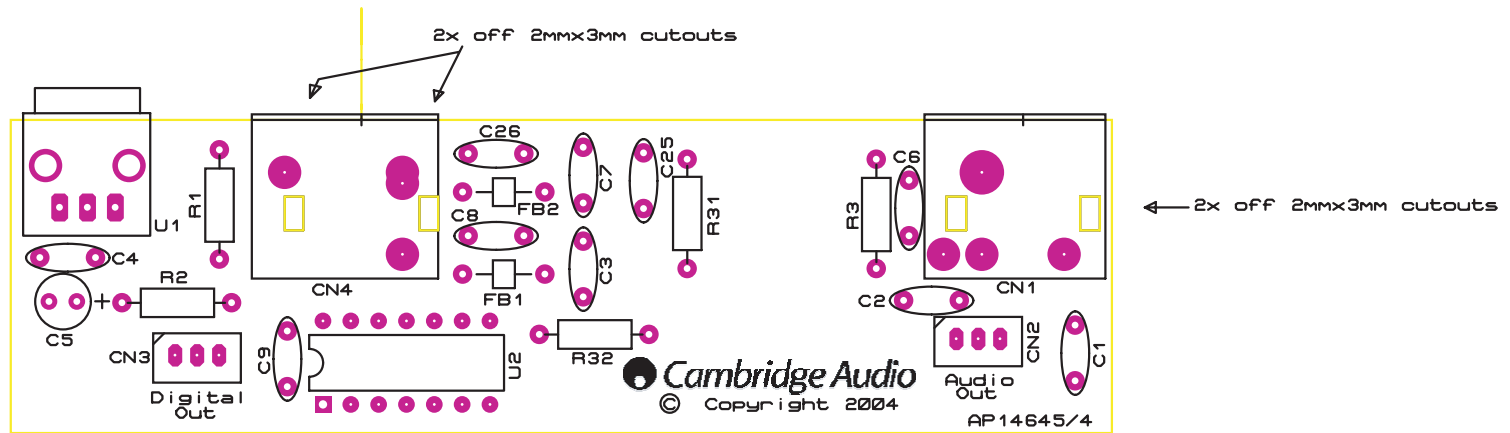
API2992/3 Front Panel PCB Layout (Bottom Side)

Cambridge Audio Azur 340C CD Player



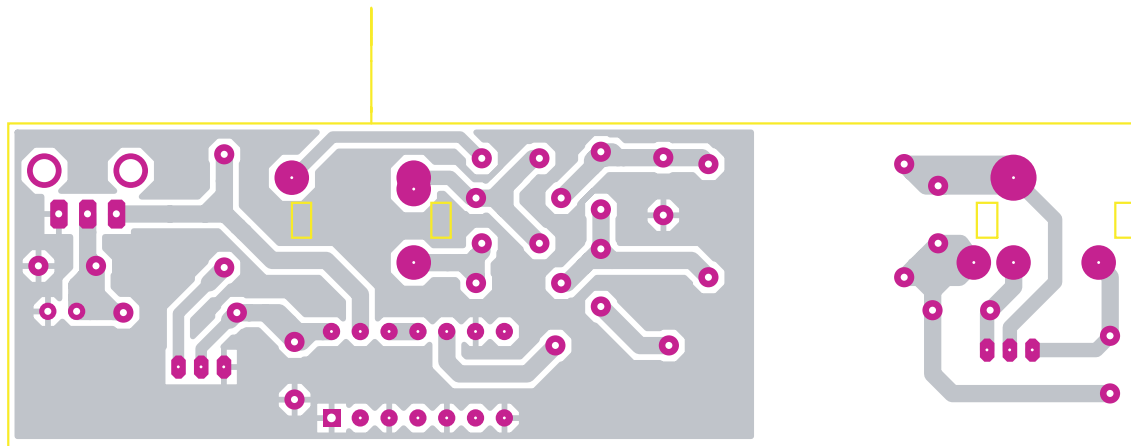
API4644/4 Output PCB Schematic

Cambridge Audio Azur 340C CD Player



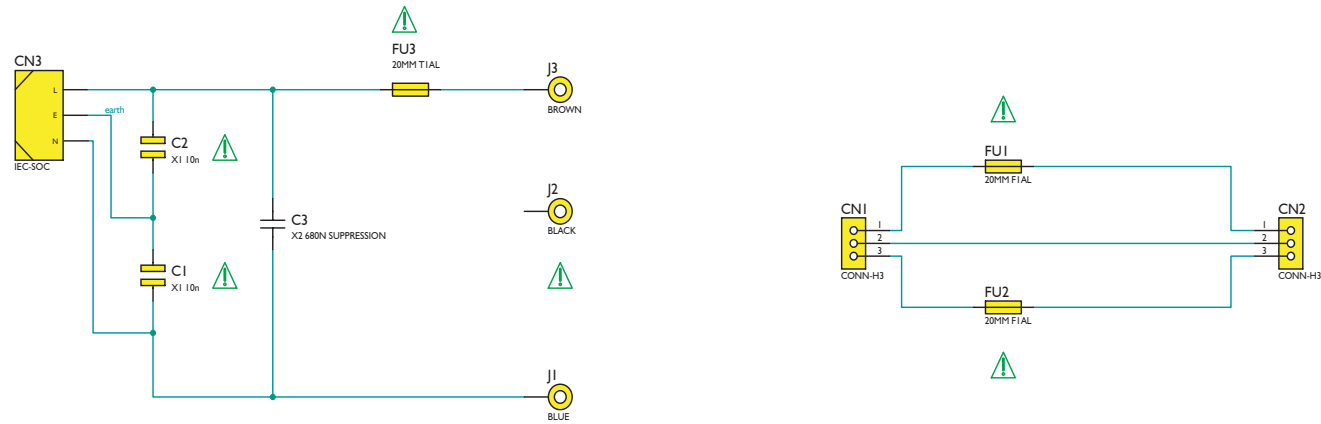
API4644/4 Output PCB Layout (Top Side)

Cambridge Audio Azur 340C CD Player



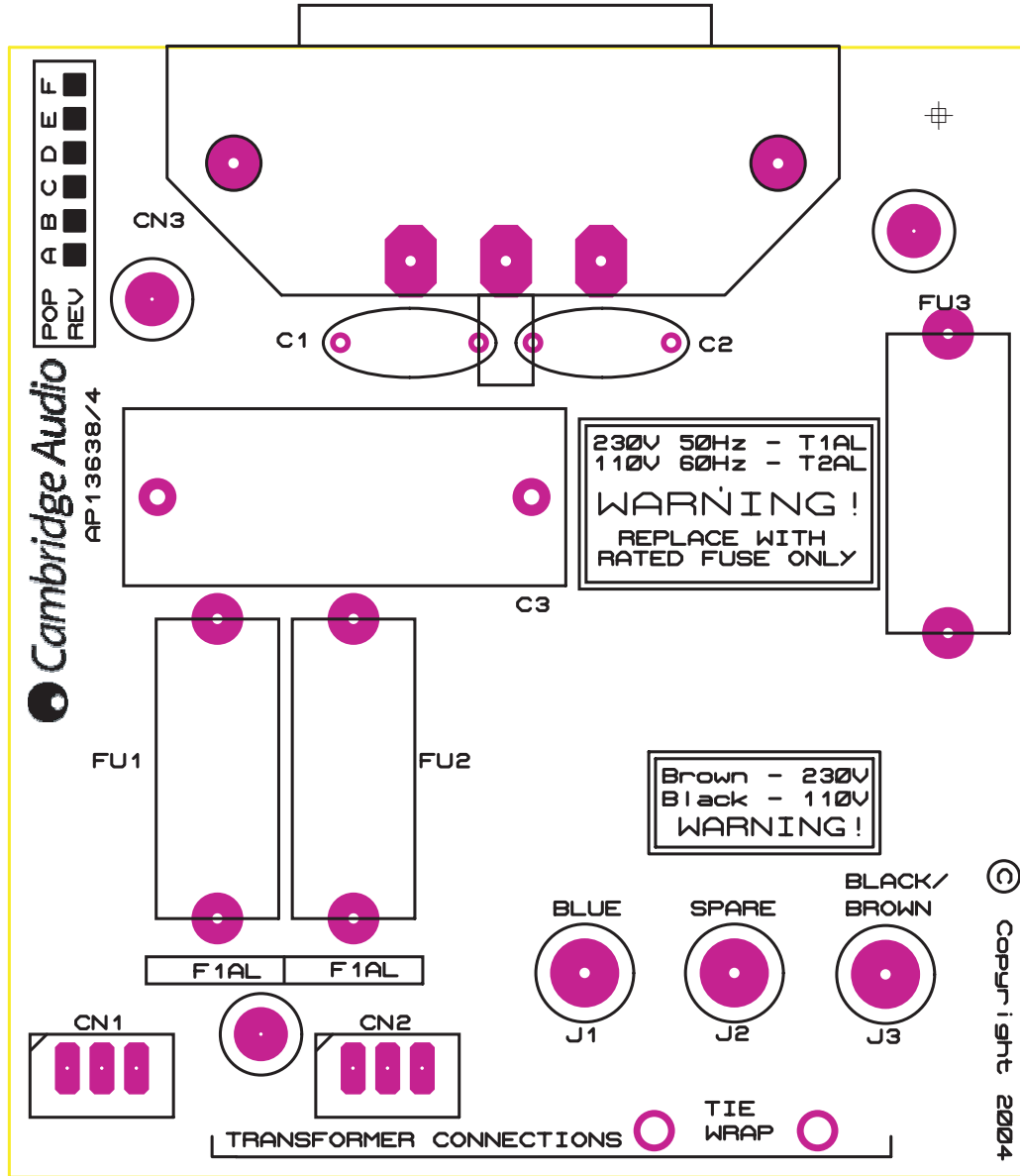
API4644/4 Output PCB Layout (Bottom Side)

Cambridge Audio Azur 340C CD Player



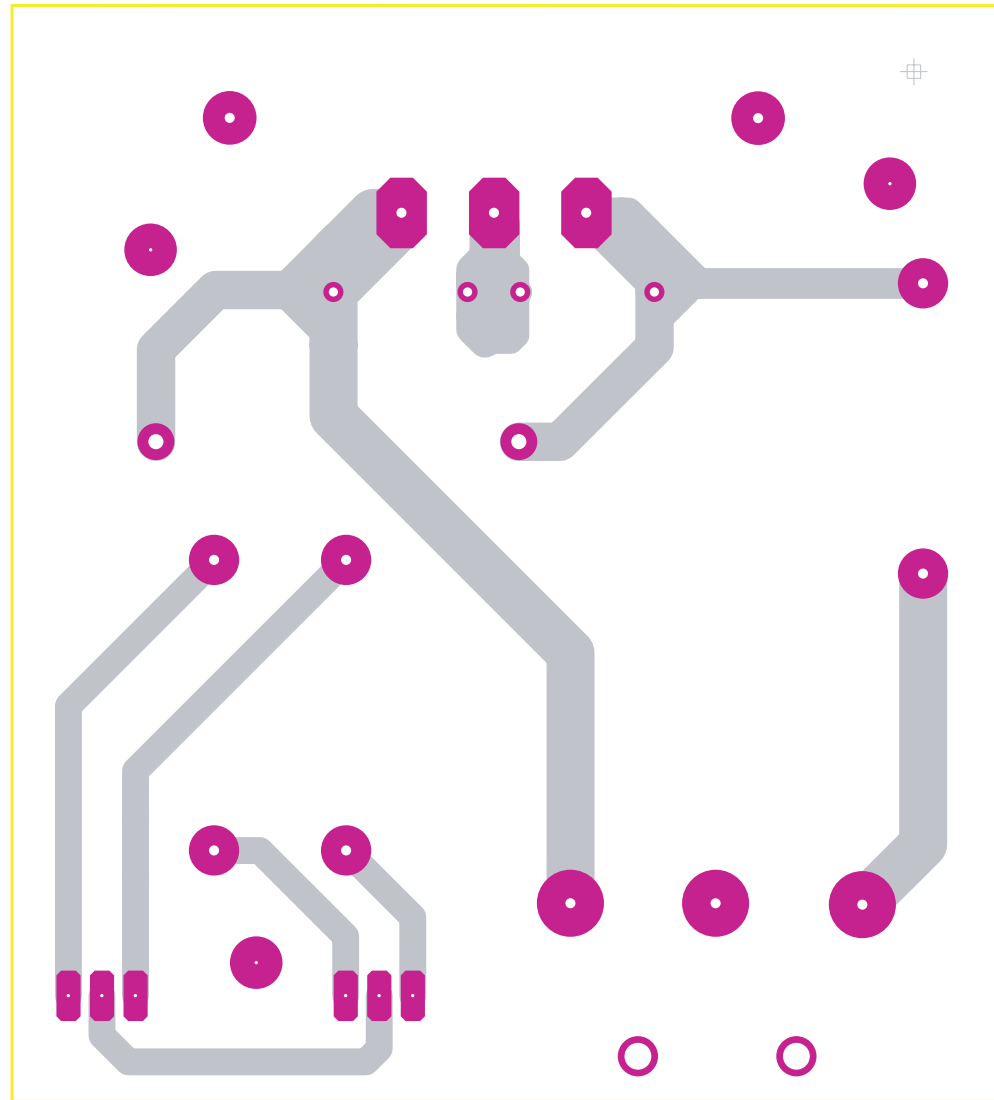
API3637/4 Mains PCB Schematic

Cambridge Audio Azur 340C CD Player



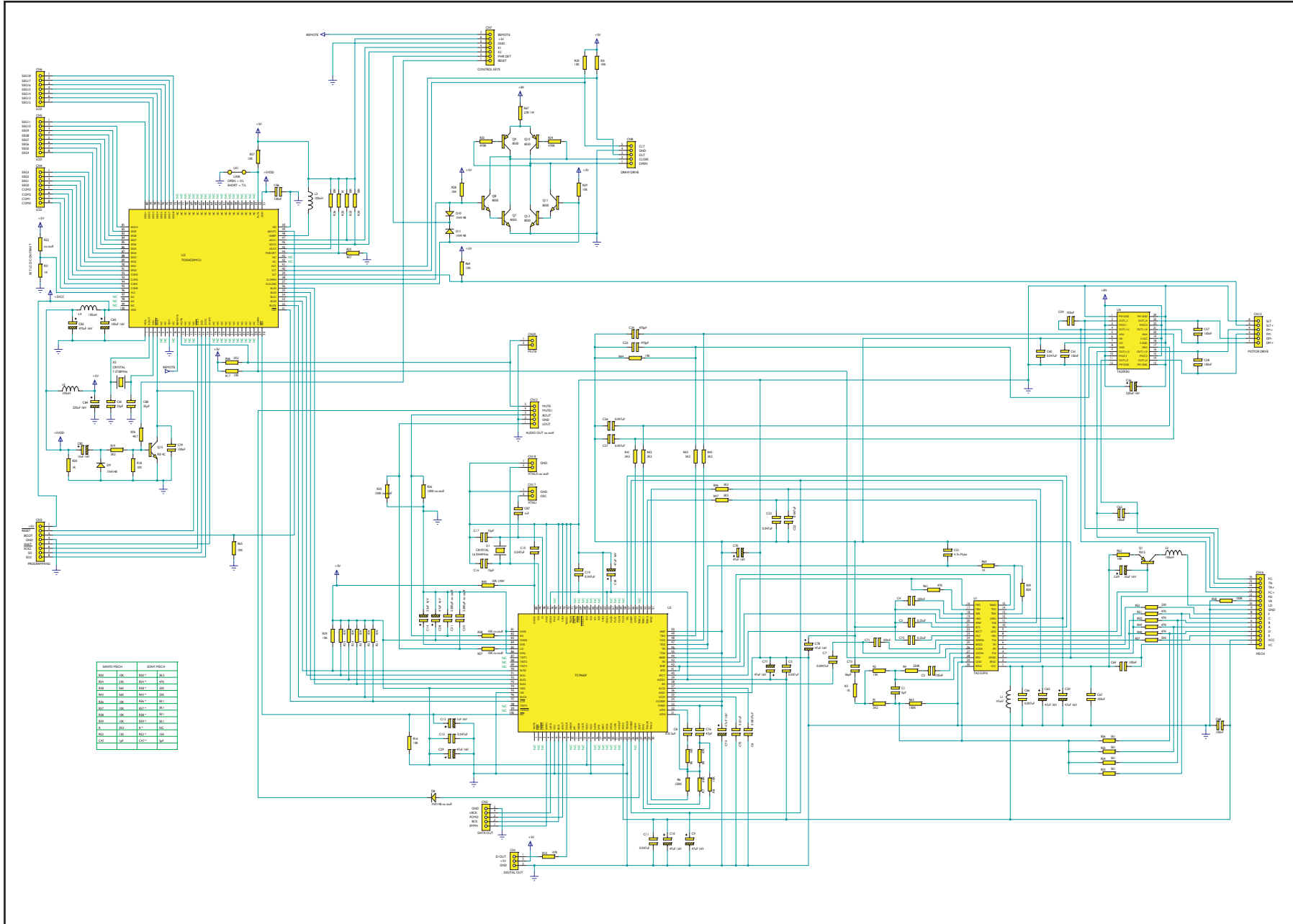
API3637/4 Mains PCB Layout (Top Side)

Cambridge Audio Azur 340C CD Player



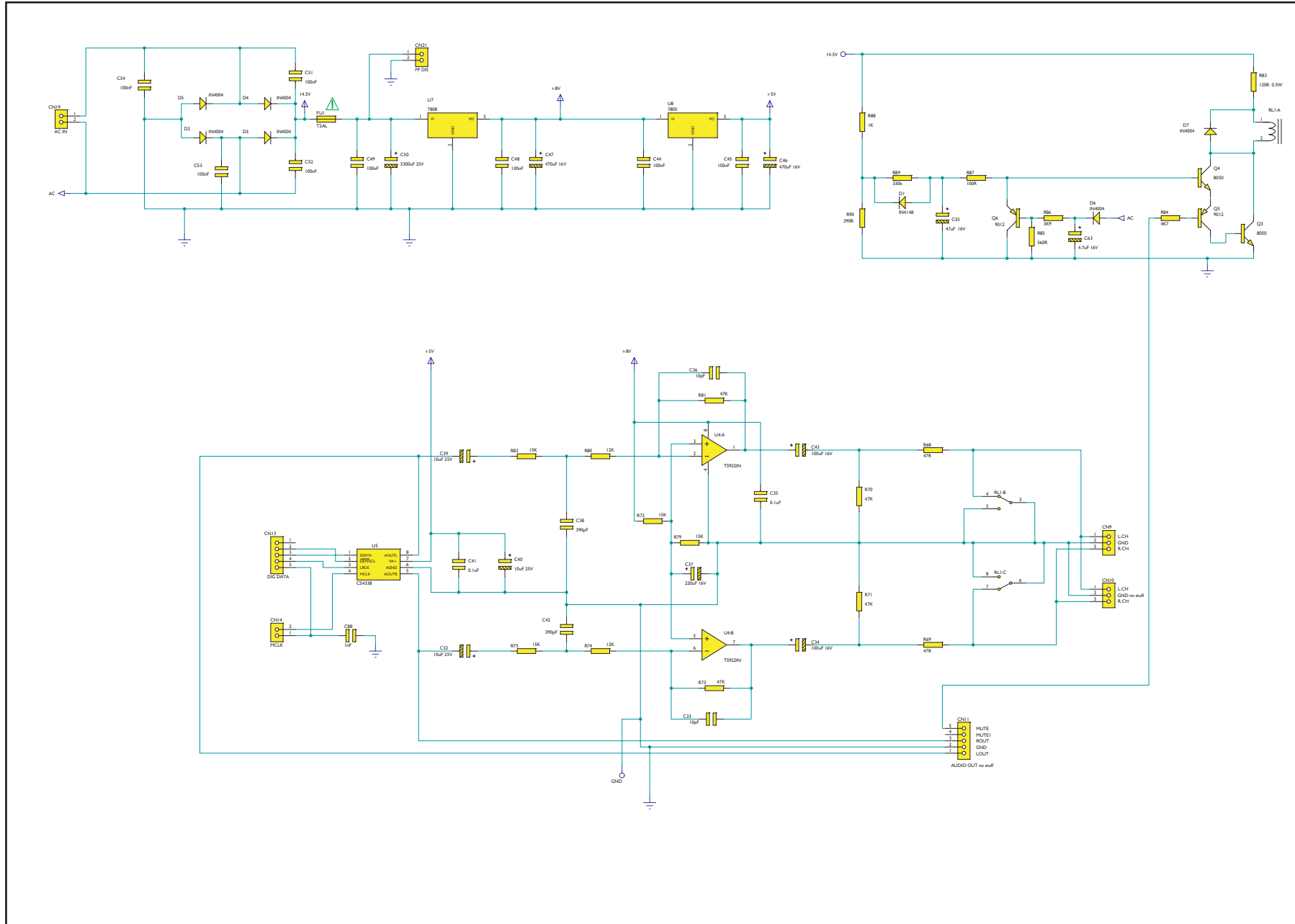
API3637/4 Mains PCB Layout (Bottom Side)

Cambridge Audio Azur 340C CD Player



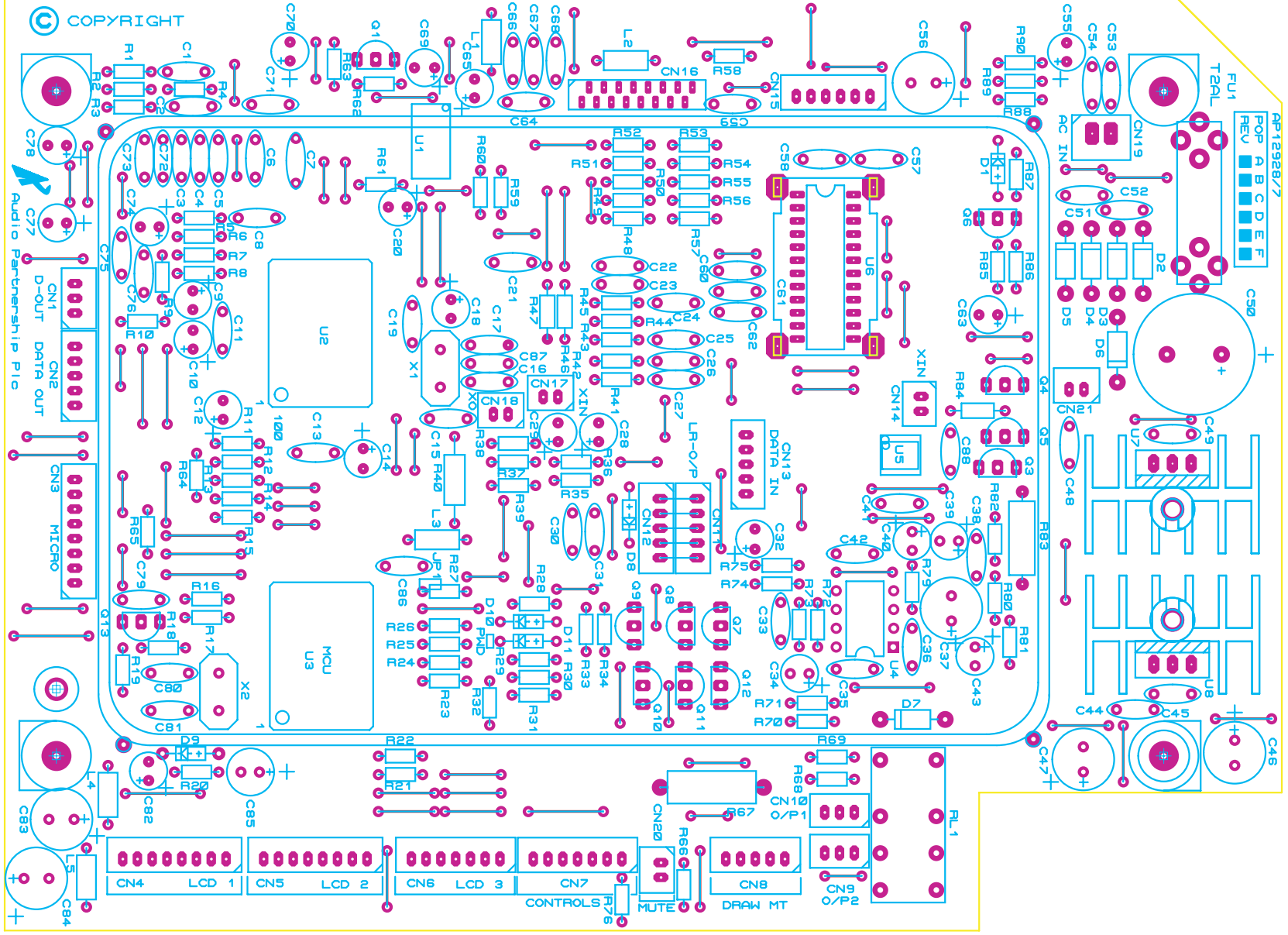
API 4792/2 Servo PCB Schematic

Cambridge Audio Azur 340C CD Player



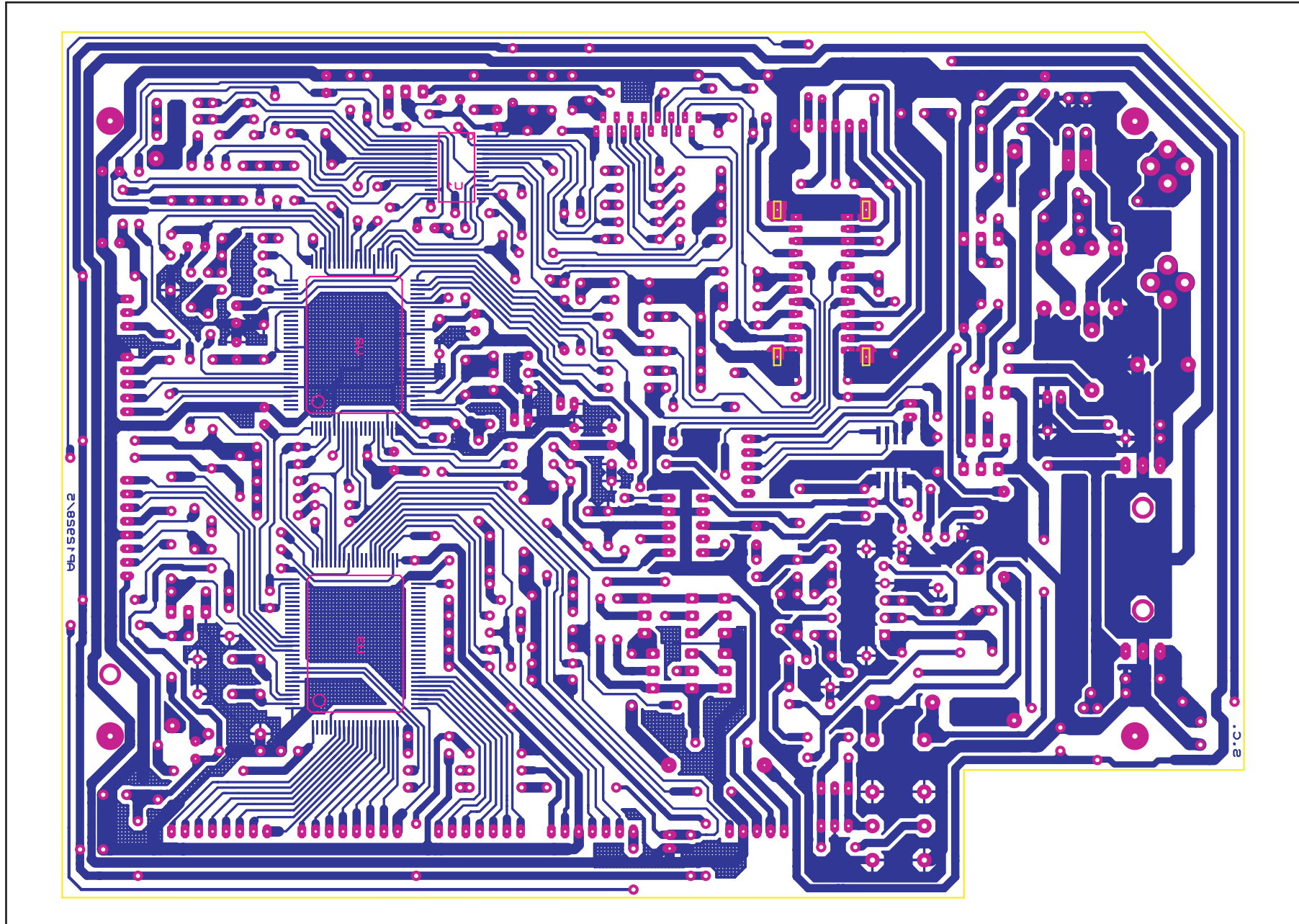
API4792/2 Servo PCB Schematic (Power Supply)

Cambridge Audio Azur 340C CD Player



API2927/7 Servo PCB Layout (Top Side)

Cambridge Audio Azur 340C CD Player



API2927/7 Servo PCB Layout (Bottom Side)

Cambridge Audio Azur 340C Front Panel PCB

API3578/3

AP PART NO.	VALUE	DESCRIPTION	QTY	COMPONENT IDENT	NOTES
	RESISTORS				
	33R	Resistor 0.25W 1% metal film	1	R16	
	330R	Resistor 0.25W 1% metal film	1	R15	
	820R	Resistor 0.25W 1% metal film	2	R1, R14	
	1K5	Resistor 0.25W 1% metal film	1	R8	
	1K8	Resistor 0.25W 1% metal film	1	R2	
	2K7	Resistor 0.25W 1% metal film	1	R5	
	3K3	Resistor 0.25W 1% metal film	1	R11	
	4K7	Resistor 0.25W 1% metal film	1	R12	
	10K	Resistor 0.25W 1% metal film	2	R6, R13	
	27K	Resistor 0.25W 1% metal film	1	R3	
	33K	Resistor 0.25W 1% metal film	1	R4	
	68K	Resistor 0.25W 1% metal film	1	R10	
	82K	Resistor 0.25W 1% metal film	2	R7, R9	
	CAPACITORS				
	1000pF	5mm Pitch	2	C2, C3	
	100nF	5mm Pitch	2	C1, C4	
	10uF	10V 2.5mm Pitch Electrolytic	1	C6	
	INTERGRATED CIRCUITS				
PY054	TSOP18	IR Receiver	1	U2	
PY605	16C505	PIC	1	U3	Programmed with API3762/* software
	TRANSISTORS				
PY214	BC337	NPN small signal transistor	1	Q1	
PY219	BC327	PNP small signal transistor	1	Q2	
	DIODES				
	1N4148	Small signal diode	2	D1, D3	
PY064	Blue LED	3mm Blue flat top LED	1	D2	
	MISC.				
		2way JST 90deg 2mm pitch	1	CN1	
		3way JST 90deg 2mm pitch	2	CN5, CN6	
		7way JST 90deg 2mm pitch	2	CN4, CN7	
		8way JST 90deg 2mm pitch	2	CN2, CN3	
PY562 for Silver PY552 for Black	API3337/* API3333/*	Azur range CD LCD	1	LCD1	YN:3110-064580-000 LCD Display ISO6458P00V0 113*25.7MM positive YN:3110-064580-100 LCD Display ISO6458P01V0 113x25.7mm negative
	API3344/*	LCD holder	1		
		LCD back light assembly	1		
	API3438/*	LCD backlight foam spacer	1		
		M3 x 8 Pozi Pan Plastite Screws	2		to hold LCD holder to PCB
	2400-020200-000	TACT SW 2P2T KPT-1105A (5MM)	6	SW1, 2, 3, 4, 5, 6	
PY556	API2993/3	Azur CD Front Panel PCB, single sided, blue	1	Schematic API2992/3 Gerber file is API2993/3 PCB Construction details API2994/3	Complete front panel PCB

Note: resistors, capacitors and other 'generic' electronic components are not usually stocked by the manufacturer. Please obtain these locally.

Cambridge Azur 340C Output PCB Assembly BOM

API4647/4

AP PART NO.	VALUE	DESCRIPTION	QTY	COMPONENT IDENT
	RESISTORS			
	10R	0.25 W Metal Film Resistor	1	R2
	47R	0.25 W Metal Film Resistor	1	R3
	91R	0.25 W Metal Film Resistor	1	R31
	100R	0.25 W Metal Film Resistor	1	R1
	430R	0.25 W Metal Film Resistor	1	R32
	CAPACITORS			
	330p	Ceramic 50V 5mm Pitch	2	C7, C8
	4n7	Ceramic 50V 5mm Pitch	3	C1, C2, C6
	100n	Ceramic 50V 5mm Pitch	5	C3, C4, C9, C25, C26
	10u	16V Electrolytic	1	C5
	SEMICONDUCTORS			
PY363	APTX179AT	Opto TX	1	U1
PY343	74HC14	HCMOS DIL	1	U2
	CONNECTORS			
	Zuznbao AV2-8,4-13EL	Dual RCA connector, gold plated	1	CN1
Analogue O/P		3 way 2.0mm pitch JST type connector	1	CN2
DOUT		3 way 2.0mm pitch JST type connector	1	CN3
		Single RCA connector, gold plated	1	CN4
	MISCELLANEOUS			
	5uH	Inductor NKW8W	2	FB1, FB2
	PCB			
	API4645/3	Blank PCB	1	Schematic API4644/3 Gerber file is API4645/3 PCB Construction details API4646/3

Note: resistors, capacitors and other 'generic' electronic components are not usually stocked by the manufacturer. Please obtain these locally.

Cambridge Azur 340C CD Player Main Assembly BOM (Silver UK)

API5162/2

AP DRAWING NO	AP PART NO	DESCRIPTION	QTY	NOTES
API2735/5		Bottom Panel	1	
API2652/2	PY531 - Black PY541 Silver	Azur Foot Moulding	4	Position In Place on Bottom Panel
API2883/3	PY544	Azur Foot Pad	4	Affix on Foot Using Adhesive Surface
API3571/1		Cambridge Audio New Range CD Transformer Pad	1	Position In Place On Bottom Panel With The Fixing Bolts Through Supplied Holes
API3157/3	PY563	Cambridge Audio EI 115/230v 540c/640c Transformer	1	Position On Transformer Pad With Fixing Bolts Through Supplied Holes
		Heatshrink sleeve	70mm	For transformer wires
		Ferrite Ring	1	Added to secondary wires of transformer (3 turns x 3 wires)
API3545/1		Cambridge Audio New Range CD Transformer Can With Adhesive Pad Added	1	Screened With Artwork API3721/1 Position On Top Of Transformer And Press To Stick In Place
	PY340	Yanion Version Of Sony CD Mech With Sony Laser Block (PY790)	1	Position In The Correct Position On The Bottom Panel
API3544/3		Cambridge Audio New Range CD Mech Top Sticker	1	Screened With Artwork API3763/1. Then Position Over Locating Pips On CD Mech Top Surface And Press To Stick
API3495/1	PY568 Silver PY554 Black	Cambridge Audio New Range CD Draw Front	1	Screened With Artwork API3601/1 Position On Draw Front And Glue In Place
API3617/1		16 Way Laser Cable, Flexible Flat Cable 250mm	1	Connects Servo PCB To Laser Block On The CD Mech
API3618/1		5 Way Tray Motor Cable Flat Wire Style 350mm	1	Connects The Servo PCB To The CD Mech, Runs Under The Front Of The Mech And Under The Servo PCB
API3619/1		6 Way Spindle Motor Cable 200mm	1	Connects The Servo PCB To The CD Mech, Runs Under The CD Mech
API3895/1		Mains PCB Insulating Sheet	1	Cut to fit 2 standoffs. To Be Positioned Over Standoffs Under Power PCB
		Front Panel Assembly		
API2935/1		IR Lens	1	Glued In Place On The Front Panel
API3322/2		105mm Display Window (Mirrored)	1	Glued In Place On The Front Panel
API3436/2		Sub Panel Left	1	Fasten in place between the Ledges of the Front Panel, Align Up The Power Button Holes
API2931/1		Lightguide, Cut To Single Pipe	1	Fasten To Subplate Left
		M3 X 6 Pozi Pan Stp Screw	1	Affixes Single Lightguide To Subplate
API3585/1		9mm TAC Switch Cushion	1	Position on the 9mm tact switch button, down the main shaft affix using adhesive provided on the cushion.
API1782/1		Opus Control Box Button (9mm)	1	Position in Place on the Front Panel
API3437/2		Sub Panel Right	1	Fasten in place between the Ledges of the Front Panel, Align Up The Function Button Holes
API2934/1	PY704	7mm TAC Switch Cushion	5	Position on the 7mm tact switch Buttons, down the main shaft affix using adhesive provided on the cushion.
API2925/1	PY719 Black PY720 Silver	7mm TAC Switch Button	5	Position In Place On The Front Panel
API3578/3		Front Panel PCB Assembly BOM	1	Fixes onto the Sub Panels With M3 M/C Screws
		Side Panel Assembly		
API2725/2		Pressed Side Panel (2 Ridge)	2	
API2727/1		Front Plastic Support (2 Ridge With Captive M2.6 Nuts)	2	Position at Front within Side Panels
API2728/1		Rear Plastic Support (2 Ridge With Captive M2.6 Nuts)	2	Position at Rear within Side Panels
		M2.6 X 8 C/S Pozi Plastite	8	To Affix Side Panels To Plastic Inserts
		Rear Panel Assembly		
API3435/2		Rear Panel Printed	1	Screened With Artwork API4835/1
API4647/2	PY789	Output PCB Assembly BOM	1	Mounted directly on the rear panel
		Final Assembly		
API3620/1		8 Way LCD Cable, Flat Wire Style 280mm	2	Connects The Front Panel PCB To The Servo PCB, Runs Around The Side Of The Casework
API3621/1		7 Way LCD Cable, Flat Wire Style 500mm	1	Connects The Front Panel PCB To The Servo PCB, Runs Around The Side Of The Casework
API3622/1		7 Way Control Cable 520mm	1	Connects The Front Panel PCB To The Servo PCB, Runs Under The CD Mech Then Around The Outside Of The Casework
API3623/1		3 Way Standby Cable 380mm	1	Connects The Front Panel PCB To The Stand By PCB, Runs Underneath The CD Mech
API3624/1		2 Way Backlight Power Cable 440mm	1	Connects The Front Panel PCB To The Servo PCB, Runs Under The CD Mech Then Around The Outside Of The Casework
		Ferrite Tube	1	Fit ferrite over screened cables, CN2 & CN3 on output PCB
		M2.6 X 6 Pozi Pan Machine Screw	15	To fix Bottom Panel To Side, Front And Rear Panels
API3626/1		3 Way Shielded Digital Out Cable	2	From DAC PCB to rear panel PCB assembly
		Lidding		
API3340/1		Lidding Tape For Front And Rear Panels	2	Fix To The Correct Surfaces For Lid
API3342/1		Lidding Tape For Side Panels	2	Fix To The Correct Surfaces For Lid
API2733/2	PY507 Black PY508 Silver	Top Panel Without Vents	1	Position on Top Of The Product

Note: resistors, capacitors and other 'generic' electronic components are not usually stocked by the manufacturer. Please obtain these locally.

Cambridge Azur 340C CD Player Main Assembly BOM (Silver UK)

API5162/2

AP DRAWING NO	AP PART NO	DESCRIPTION	QTY	NOTES
	PY515 Black PY516 Silver	M2.6 X 6 C/S Torx Machine Screw	8	To Affix Top Panel to plastic Inserts, Side, Rear and Front Panel
		Packaging		
API3612/1		Azur 2 Ridge Woven Bag	1	Pack CD Player Unit Inside
API3504/2		Poly Endcap Packaging	2	
API3613/1		Azur Woven Bag For Remote Control	1	Pack Remote Control Inside,
	PY573	Azur Remote Control Complete. Model No RC-540AC/640AC	1	Mounted into Poly Endcap, Packing in Rebate Provided
		AAA Alkaline Batteries	3	For Remote. Place In Instruction Manual Polybag
API5161/1		340C CD Player Instruction Manual	1	
		Polybag 173X260X4C mm	1	For Instruction Manual and Remote Batteries
		1830mm AC IEC Power Cord Set BS Standard Fused 3 AMP	1	Must Be Bs Approved
API3505/1		Carton Packaging With Handle	1	Printed To Artwork API3716/1
API4702/1		Carton Label (Model No.)	1	For Box
		Blue Tape Seal For Cambridge Carton	1	

Note: resistors, capacitors and other 'generic' electronic components are not usually stocked by the manufacturer. Please obtain these locally.

AP PART NO.	VALUE	DESCRIPTION	QTY	COMPONENT IDENT
	RESISTORS			
	10R	0.125 W Metal Film Resistor	1	R62
	10R	0.25 W Metal Film Resistor	1	R40
	27R	1 W Carbon Resistor	1	R67
	47R	0.125 W Metal Film Resistor	3	R10, R68, R69
	100R	0.125 W Metal Film Resistor	1	R58, R87
	120R	0.5W Metal Film Resistor	1	R83
	220R	0.125 W Metal Film Resistor	1	R4
	390R	0.125W Metal Film Resistor	1	R90
	470R	0.125 W Metal Film Resistor	2	R33, R34
	560R	0.125W Metal Film Resistor	1	R85
	1k	0.125 W Metal Film Resistor	6	R3,R20,R21,R25,R60,R88
	2k2	0.125 W Metal Film Resistor	2	R1, R66
	3k3	0.125 W Metal Film Resistor	7	R19, R41, R42, R43, R45, R46, R47
	3k9	0.125W Metal Film Resistor	1	R86
	4k7	0.125 W Metal Film Resistor	3	R32, R76,R84
	5k1	0.125 W Metal Film Resistor	4	R53, R54, R55, R56
	10k	0.125 W Metal Film Resistor	21	R8, R11, R12, R13, R14, R15, R16, R17, R18, R23, R24, R26, R27, R28, R29, R30, R31, R39, R44, R64, R65
	12k	0.125 W Metal Film Resistor	2	R74, R80
	15k	0.125 W Metal Film Resistor	6	R2, R5, R72, R75, R79, R82
	33k	0.125 W Metal Film Resistor	2	R52, R57
	47k	0.125 W Metal Film Resistor	10	R9, R48, R49, R50, R51, R61, R70, R71, R73, R81
	68k	0.125 W Metal Film Resistor	1	R7
	82k	0.125 W Metal Film Resistor	1	R59
	100k	0.125 W Metal Film Resistor	1	R63
	220k	0.125 W Metal Film Resistor	1	R6
	330k	0.125 W Metal Film Resistor	1	R89
	CAPACITORS			
	5p	Ceramic COG 50V 5mm Pitch	1	C1
	10p	Ceramic COG 50V 5mm Pitch	2	C33, C36
	15p	Ceramic COG 50V 5mm Pitch	2	C16, C17
	25p	Ceramic COG 50V 5mm Pitch	2	C80, C81
	47p	Ceramic COG 50V 5mm Pitch	1	C76
	56p	Ceramic COG 50V 5mm Pitch	1	C73
	390p	Ceramic COG 50V 5mm Pitch	2	C38, C42
	470p	Ceramic 50V 5mm Pitch	2	C24, C25
	1n	Ceramic 50V 5mm Pitch	2	C87, C88
	10n	Ceramic 50V 5mm Pitch	1	C75
	15n	Ceramic 50V 5mm Pitch	1	C8
	47n	Ceramic 50V 5mm Pitch	11	C5, C11, C13, C15, C19, C22, C23, C26, C27, C60, C66
	100n	Ceramic 50V 5mm Pitch	23	C2, C4, C35, C41, C44, C45, C48, C49, C51, C52, C53, C54, C57, C58, C59, C61, C62, C64, C67, C68, C71, C79, C86
	220n	Ceramic 50V 5mm Pitch	2	C3, C72
	2n7	Mylar 5mm Pitch	1	C6
	4n7	Mylar 5mm Pitch	2	C7, C21
	1u	16V Electrolytic	1	C12
	4.7u	16V Electrolytic	1	C63
	10u	16V Electrolytic	2	C69, C82
	22u	16V Electrolytic	1	C14
	47u	16V Electrolytic	12	C9, C10, C18, C20, C28, C29, C55, C65, C70, C74, C77, C78
	100u	16V Electrolytic	3	C34, C43, C85
	220u	16V Electrolytic	3	C37, C56, C84
	470u	16V Electrolytic	3	C46, C47, C83

Note: resistors, capacitors and other 'generic' electronic components are not usually stocked by the manufacturer. Please obtain these locally.

Cambridge Azur 340C CD Servo PCB Assembly BOM

API4776/3

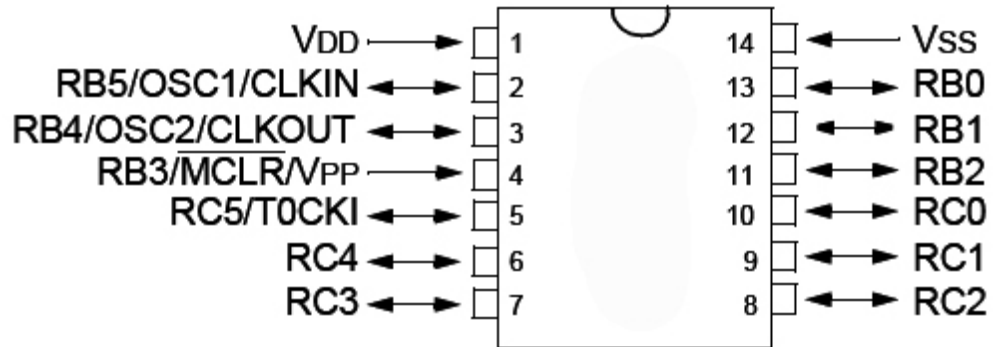
AP PART NO.	VALUE	DESCRIPTION	QTY	COMPONENT IDENT
	10u	25V Electrolytic	3	C32, C39, C40
	3300u	25V Electrolytic	1	C50
	SEMICONDUCTORS			
PY474	TA2153FN	TOSHIBA RF Amplifier	1	U1
PY475	TC9462F	TOSHIBA Digital Servo-chip Processor	1	U2
	TOSHCDMCU	YANION Supplier	1	U3
PY473	TA2092N	TOSHIBA Power driver IC	1	U6
PY107	CS4338	Crystal Semicon DAC IC	1	U5
PY754	TS922IN	Rail to Rail Op Amp	1	U4
PY316	7808	TO-220 +8V Regulator	1	U7
	7805	TO-220 +5V Regulator	1	U8
	C8050	NPN Transistor	6	Q3, Q4, Q7, Q8, Q11, Q12
PY560	9012	PNP Transistor	2	Q5, Q6
PY558	9014C	NPN Transistor	1	Q13
	C8550	PNP Transistor	2	Q9, Q10
PY560	9015	PNP Transistor	1	Q1
	1N4148	Signal Diode	4	D1, D9, D10, D11
	1N4004	Rectifier Diode	6	D2, D3, D4, D5, D6, D7
	CRYSTALS			
PY027	16.9344MHz	2 Pin 5mm Pitch	1	X1
PY561	7.3728MHz	2 Pin 5mm Pitch	1	X2
	CONNECTORS			
	2 Way	2mm Pitch JST	5	CN17, CN18, CN20, CN21, CN14
	3 Way	2mm Pitch JST	3	CN1, CN9, CN10
	5 Way	2mm Pitch JST	3	CN2, CN8, CN13
	6 Way	2mm Pitch JST	1	CN15
	7 Way	2mm Pitch JST	2	CN6, CN7
	8 Way	2mm Pitch JST	3	CN3, CN4, CN5
	2 Way	2.5mm Pitch JST	1	CN19
	16 Way	FFC 1.0mm Pitch	1	CN16
	MISCELLANEOUS			
		Relay 9V SS-DPDT	1	RL1
	20mm	PCB Mount Fuse Holder	1	FU1
	2A	20mm Fuse for above	1	FU1
	47u	Inductor 8mm Pitch	1	L1
	100u	Inductor 8mm Pitch	4	L2, L3, L4, L5
		HEATSINK FOR U7 & U8	2	(U7, U8)

Note: resistors, capacitors and other 'generic' electronic components are not usually stocked by the manufacturer. Please obtain these locally.

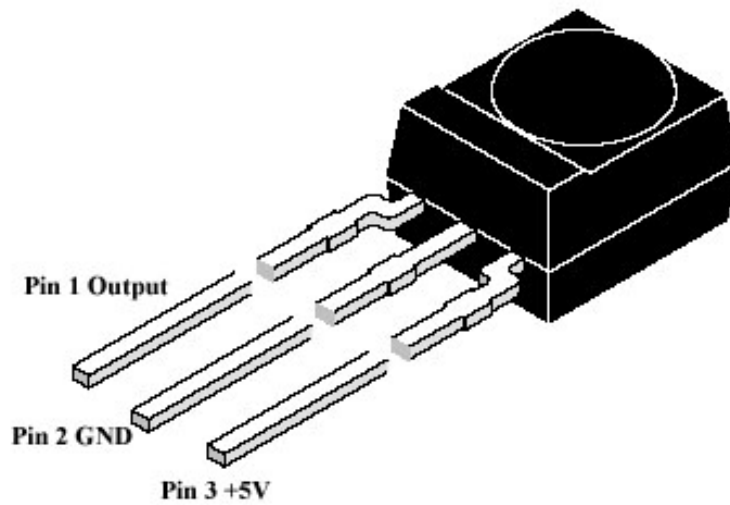
Cambridge Audio Azur 340C CD Player IC Pin Layout Details

Control PCB

PIC16C505 (U3)

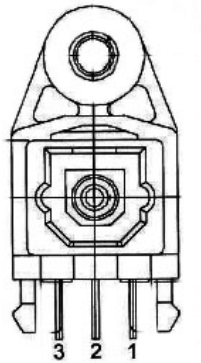


TSOP18 (U2)



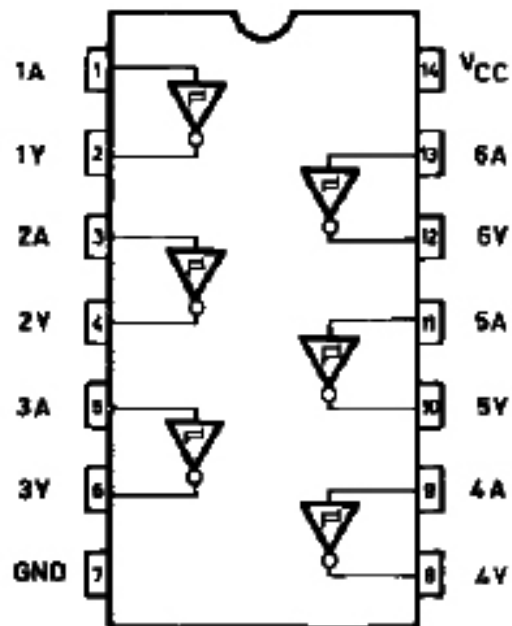
Output PCB

APTX179AT (U1)



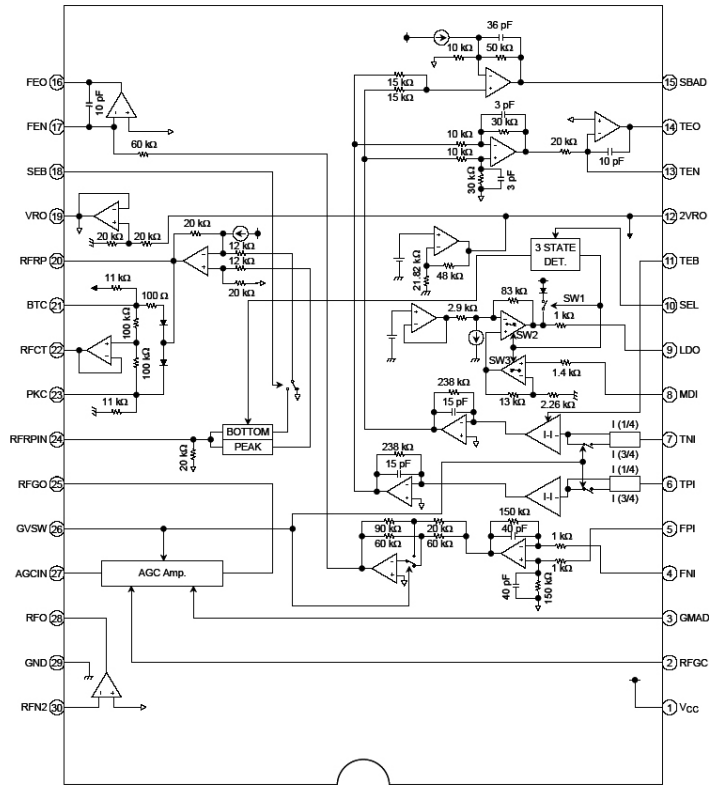
PIN CONNECTION:
1: GND
2: VCC
3: INPUT

74HC14 (U2)

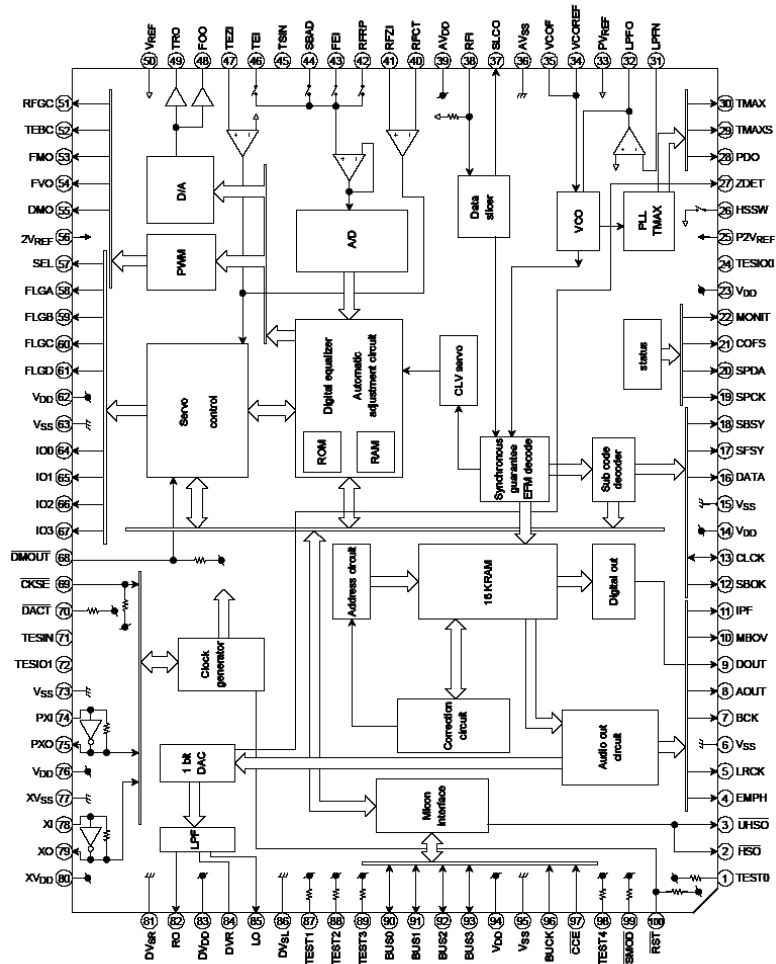


SERVO PCB

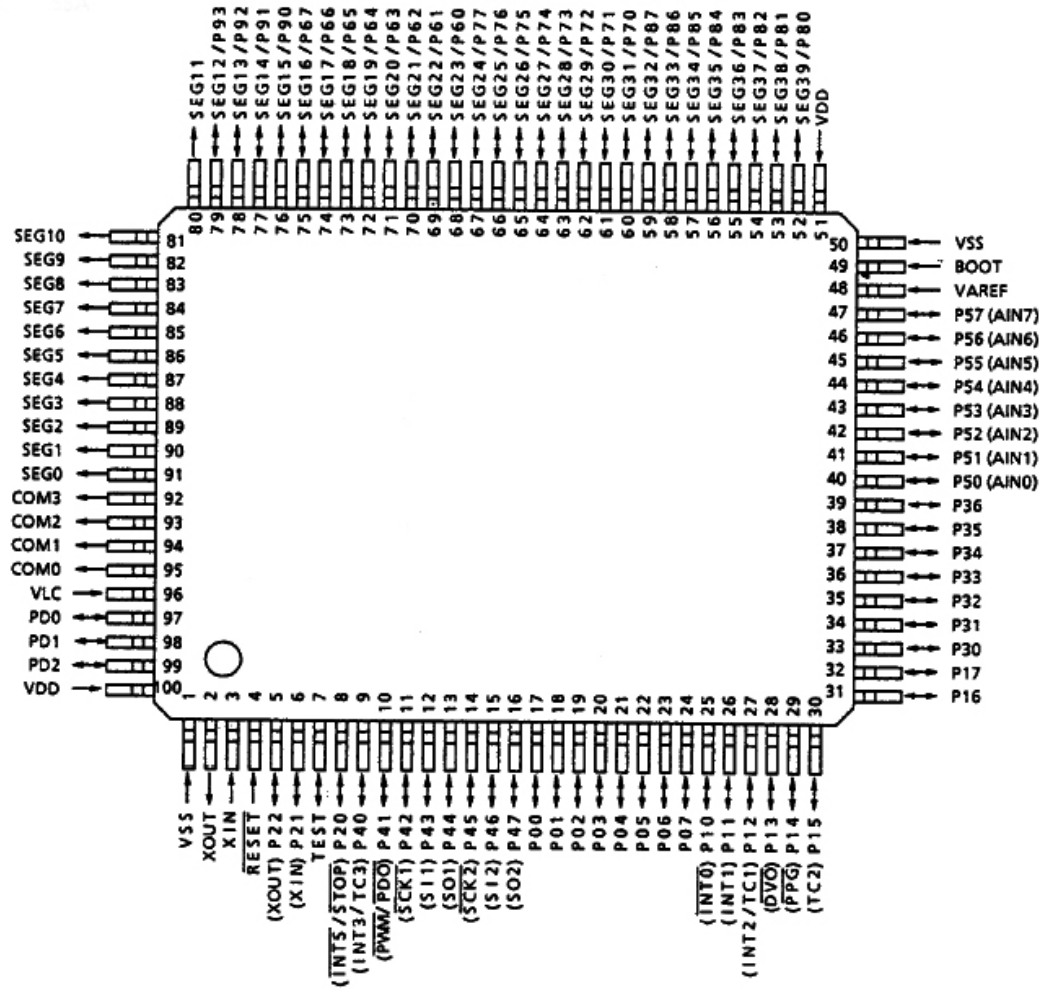
TA2I53FN (U1)



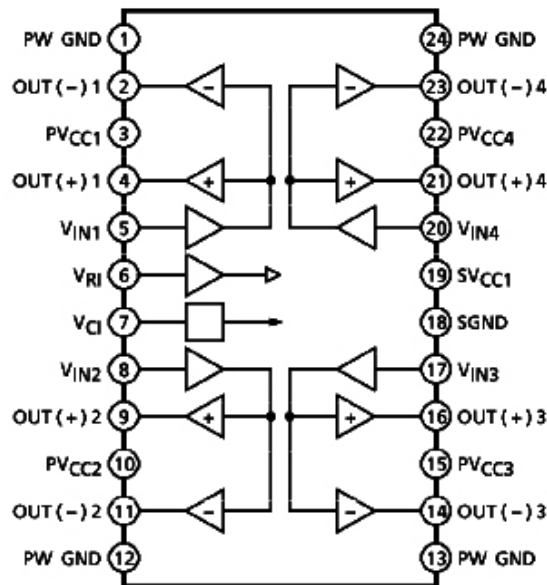
TC9462F (U2)



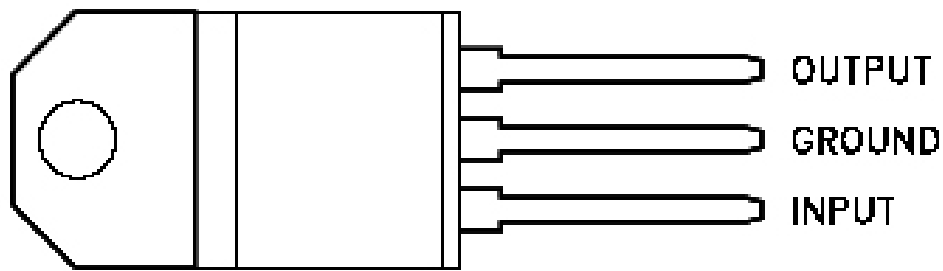
TLCS-870 MCU (U3)



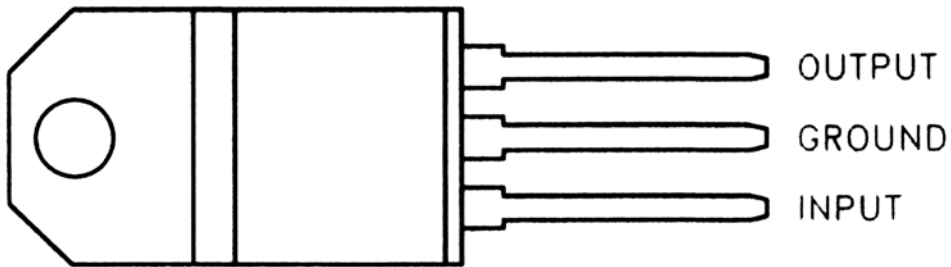
TA2092 (U6)



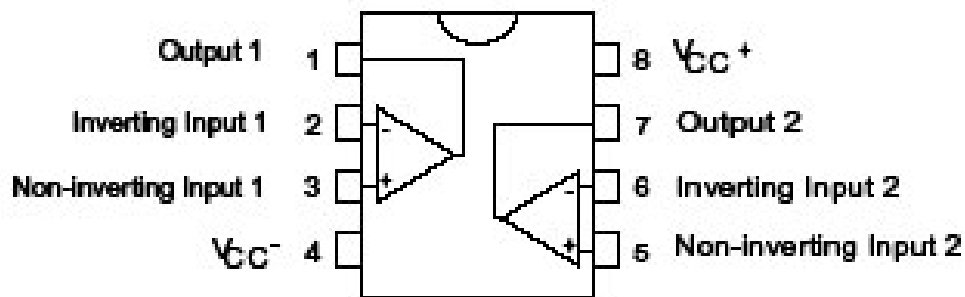
7808 (U7)



7805 (U8)



TS922IN (U4)



CS4338 (U5)

