

**A3i**

**Integrated  
Amplifier**

**Schematics**

# Cambridge Audio A3i Integrated Amplifier

## SPECIFICATIONS

### INPUT SENSITIVITY:

Phono:	1.75mV
CD:	400mV
Aux/Tuner/Tape:	200mV

INPUT IMPEDANCE: 47k $\Omega$

SPEAKER IMPEDANCE: 4-16 $\Omega$

POWER OUTPUT: 50 watts rms into 8 $\Omega$

FREQUENCY RESPONSE: 2Hz to 50kHz (-3dB points)

CHANNEL SEPARATION: At 1kHz better than 75dB

DISTORTION: Less than 0.05% @ 1 Watt

SIGNAL: NOISE(A WEIGHTED): 90dB with 'CD direct'  
80dB via tone controls

DIMENSIONS (MM): 90(h) x 430(w) x 300(d)

VOLTAGE AC: As specified on rear panel

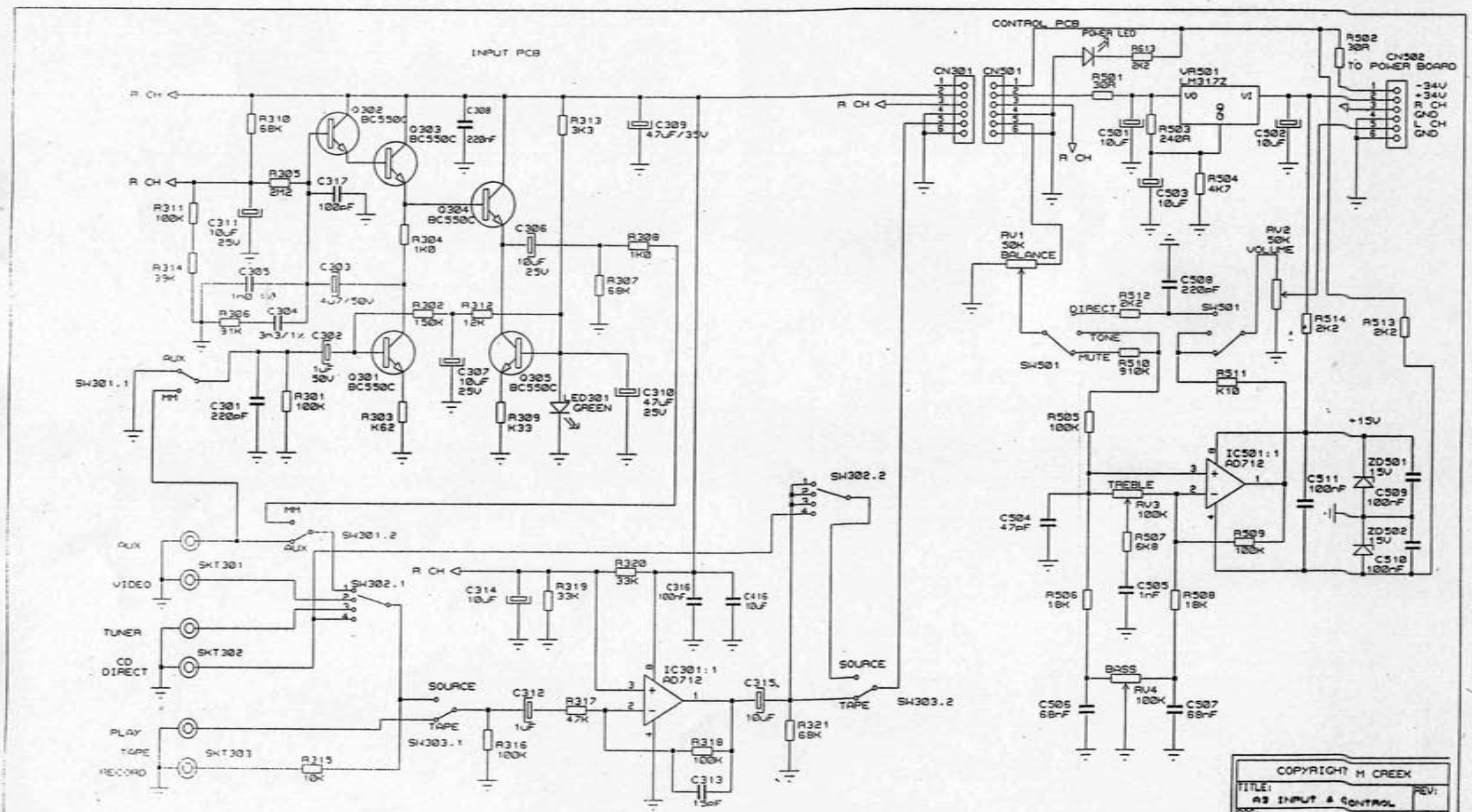
POWER CONSUMPTION: As specified on rear panel

Cambridge Audio's policy is one of continuous improvement. It is possible therefore, that specifications and designs may change without prior notice.

# Cambridge Audio A3i Integrated Amplifier

## BIAS CURRENT SET UP

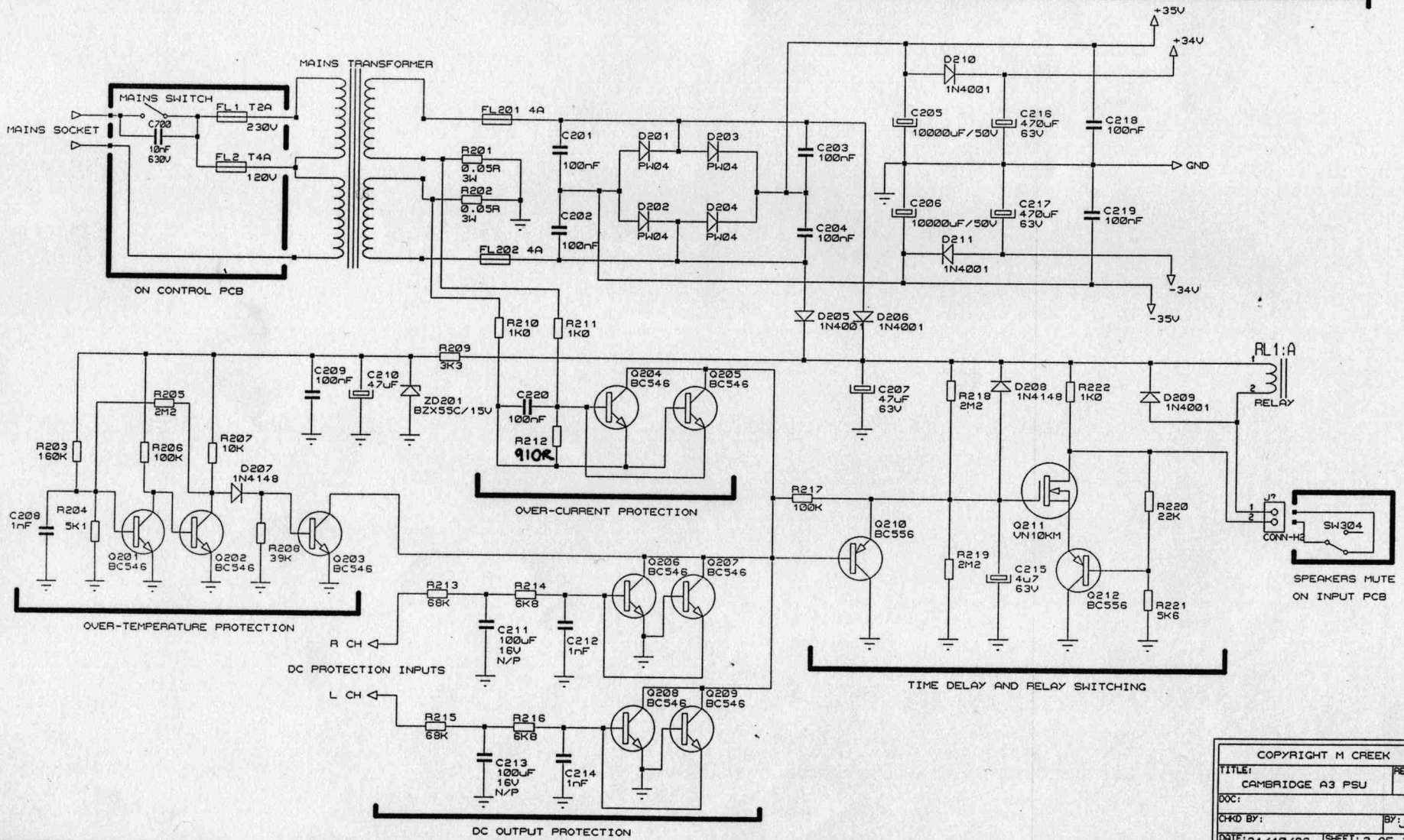
1. Switch on unit and allow to stand for 5 minutes, ensure volume control is at a minimum
  
2. a. With DC voltmeter connected across R23 reading should be 12mV +/- 1mV, adjust with P1 as necessary.  
  
b. Measure voltage across R123 and adjust with P101
  
3. Repeat instructions 2a and 2b until readings are stable over a period of 5 minutes. (There is a thermal delay between adjusting the bias current and the reading stabilising).



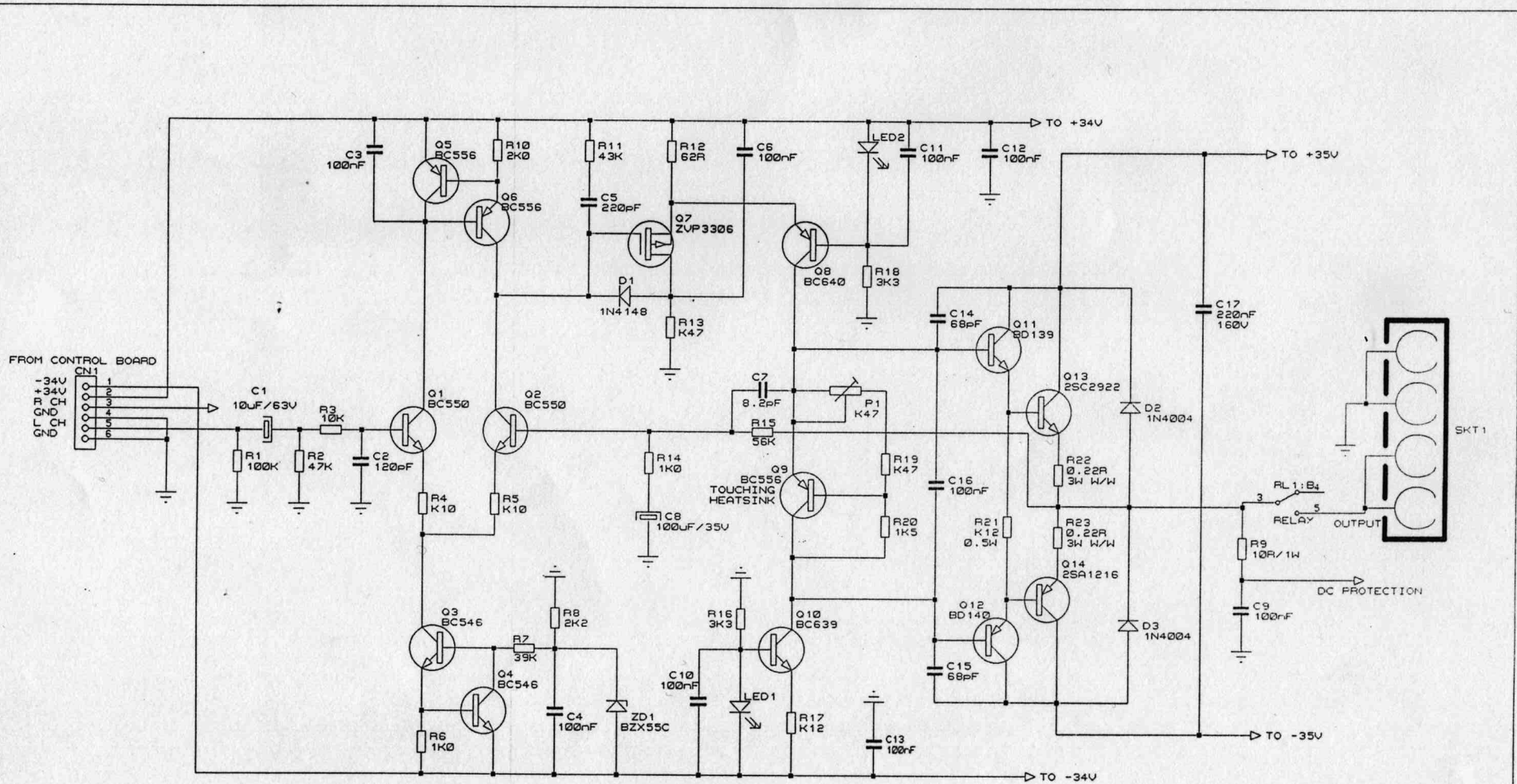
LEFT CHANNEL ONLY SHOWN  
FOR RIGHT CHANNEL ADD 100 TO DESIGNATION

COPYRIGHT H CREEK	
TITLE: A3 INPUT & CONTROL	REV:
XXX:	
DRW BY:	BY: USB
DATE: 23/10/98	SHEET: 1 OF 3

SAFETY CRITICAL



COPYRIGHT M CREEK	
TITLE: CAMBRIDGE A3 PSU	REV:
DOC:	
CHKD BY:	BY: JBB
DATE: 21/10/98	SHEET: 3 OF 3



LEFT CHANNEL ONLY SHOWN  
 FOR RIGHT CHANNEL ADD 100 TO DESIGNATION

COPYRIGHT M CREEK	
TITLE:	REV:
CAMBRIDGE A3 POWER AMP	
DOC:	
CHKD BY:	BY: JBB
DATE: 23/10/96	SHEET: 2 OF 3