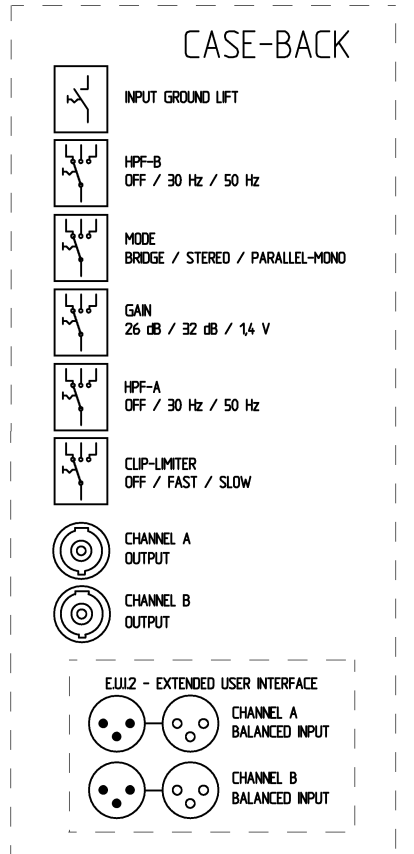
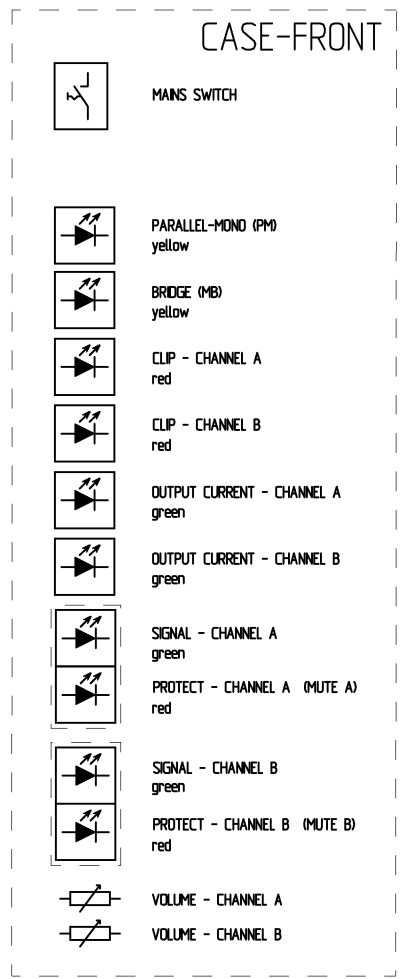
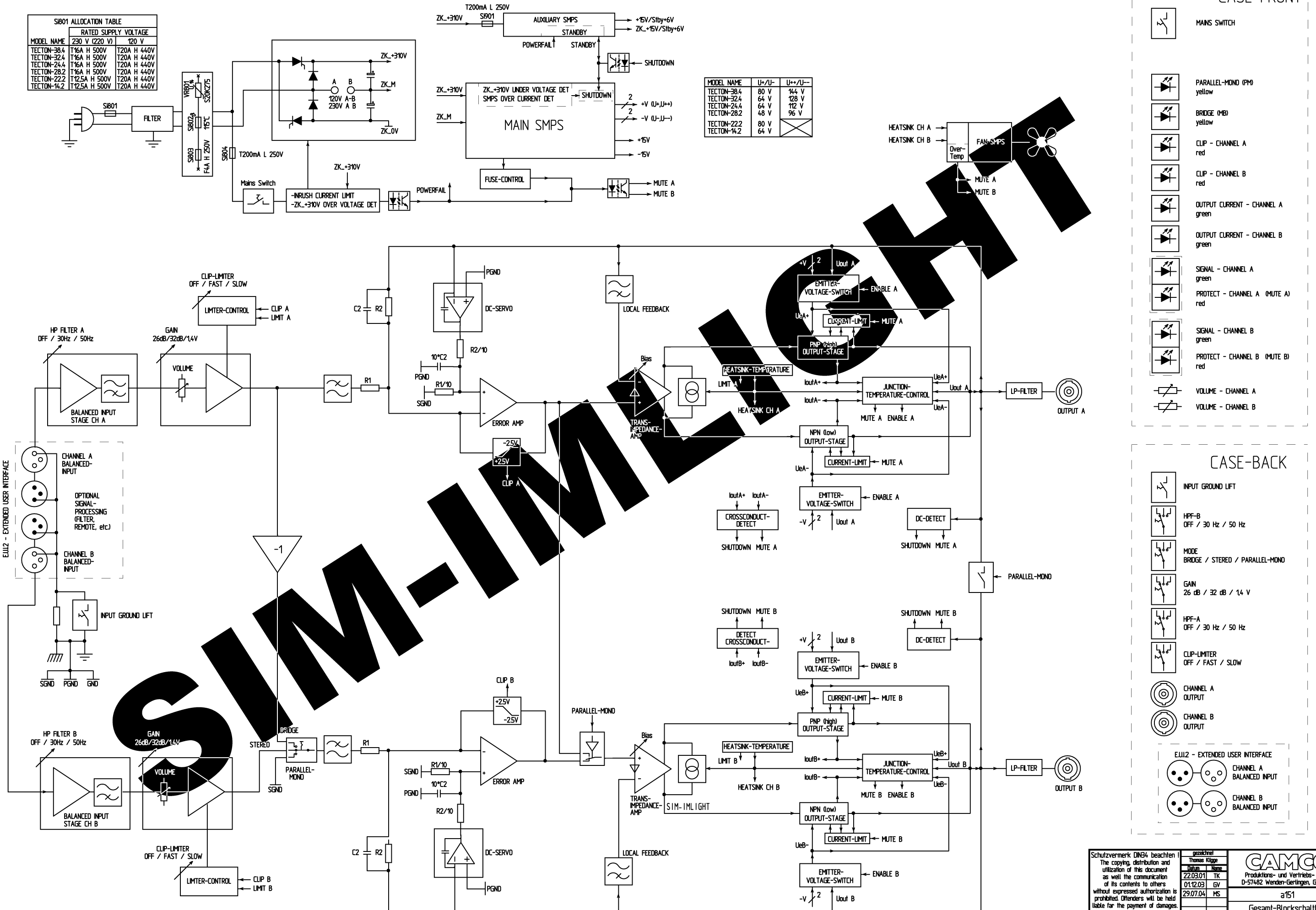


SIB01 ALLOCATION TABLE		
MODEL NAME	RATED SUPPLY VOLTAGE	
	230 V (220 V)	120 V
TECTON-38.4	T16A H 500V	T20A H 440V
TECTON-32.4	T16A H 500V	T20A H 440V
TECTON-24.4	T16A H 500V	T20A H 440V
TECTON-28.2	T16A H 500V	T20A H 440V
TECTON-22.2	T12.5A H 500V	T20A H 440V
TECTON-14.2	T12.5A H 500V	T20A H 440V

MODEL NAME	U+/U-	U++/U--
TECTON-38.4	80 V	144 V
TECTON-32.4	64 V	128 V
TECTON-24.4	64 V	112 V
TECTON-28.2	48 V	96 V
TECTON-22.2	80 V	
TECTON-14.2	64 V	



Schutzvermerk DIN84 beachten!
The copying, distribution and utilization of this document as well as the communication of its contents to others without expressed authorization is prohibited. Offenders will be held liable for the payment of damages. All rights reserved in the event of the grant of a patent, utility model or ornamental design registration.

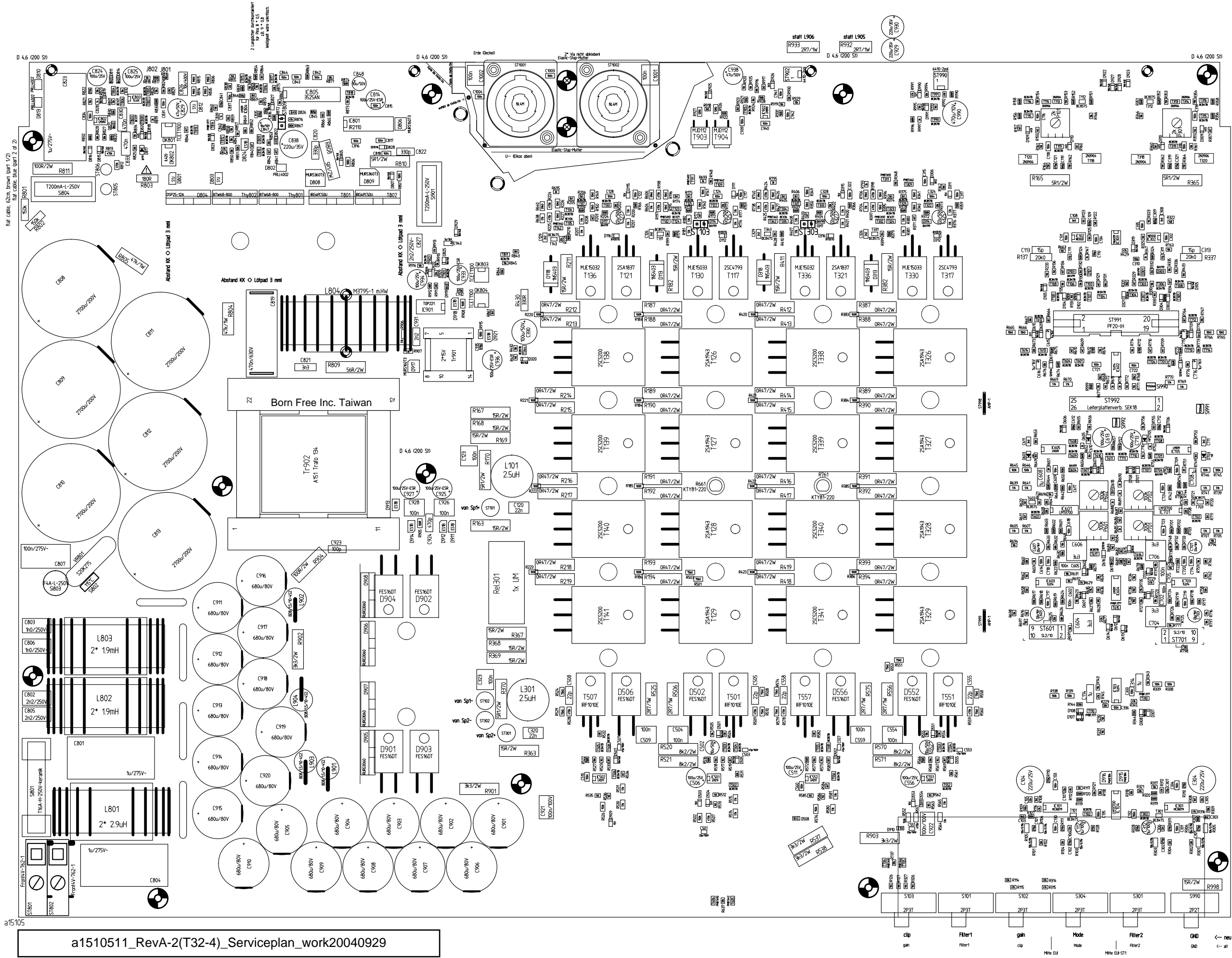
gezeichnet	Thomas Kluge
gezeichnet	Thomas Kluge
22.03.01	TK
01.12.03	GV
29.07.04	MS

CAMCO
Produktions- und Vertriebs-GmbH
D-57482 Wenden-Gertlingen, Germany

a151

Gesamt-Blockschaltbild

Stand 28.07.04 alle Varianten Blatt 11/11



D 4,6 (200 SI)

D 4,6 (200 SI)

D 4,6 (200 SI)

D 4,6 (200 SI)

flat cable, 62cm, brown (opt 1/2)
flat cable, blue (opt 2 & 2)

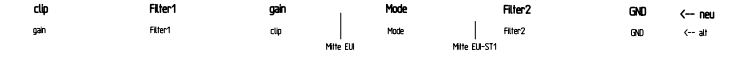
2 Längsbohrungen
Ø 3,0 x 0,8
Wegleiten lassen

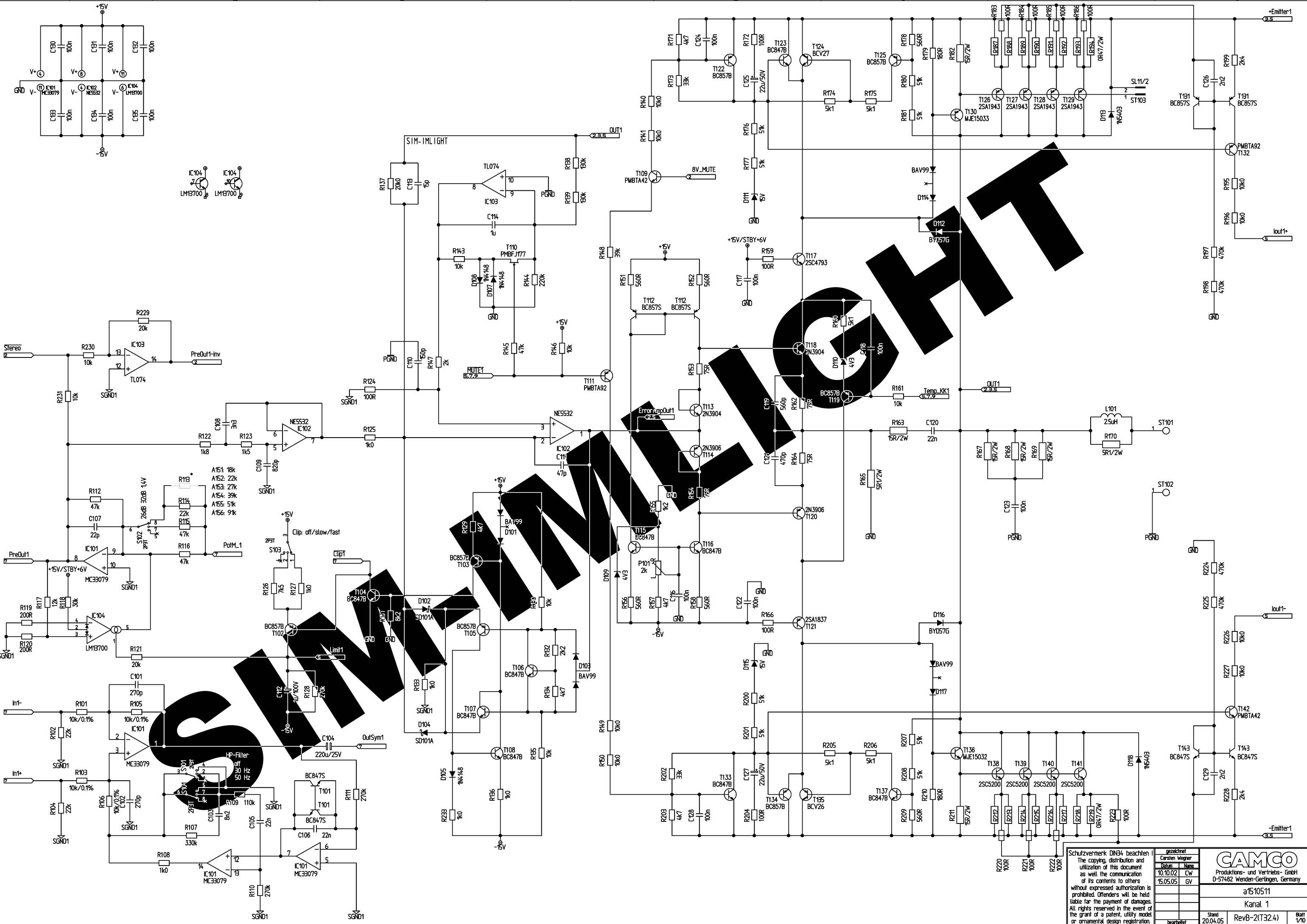
Fluchtkontroll 26 pol
Signalführung 26 pol
Federeile 26 pol

a15105

a1510511_RevA-2(T32-4)_Serviceplan_work20040929

Schutzvermerk DIN34 beachten!
The copying, distribution and utilization of this document as well as the communication of its contents to others without expressed authorization is prohibited. Offenders will be held liable for the payment of damages. All rights reserved in the event of the grant of a patent, utility model or ornamental design registration.





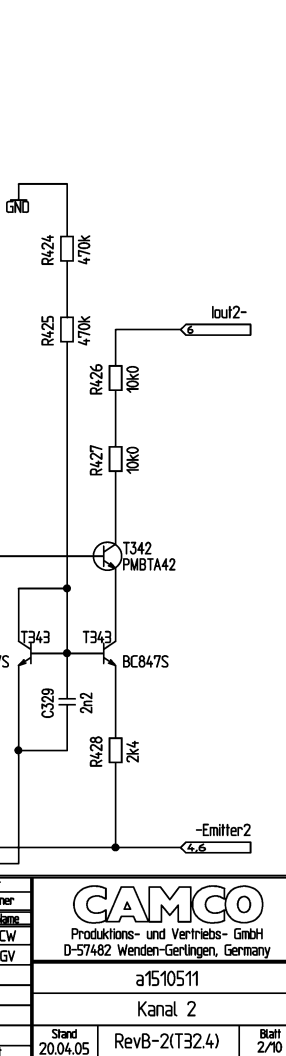
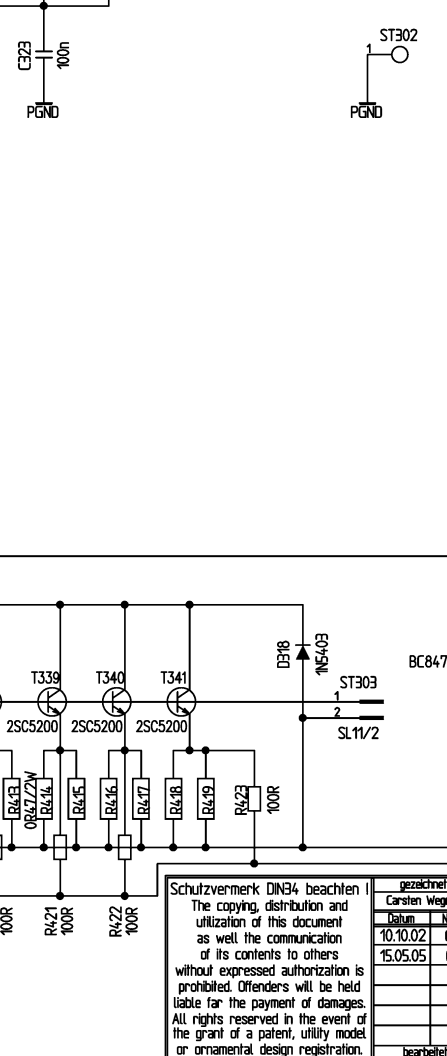
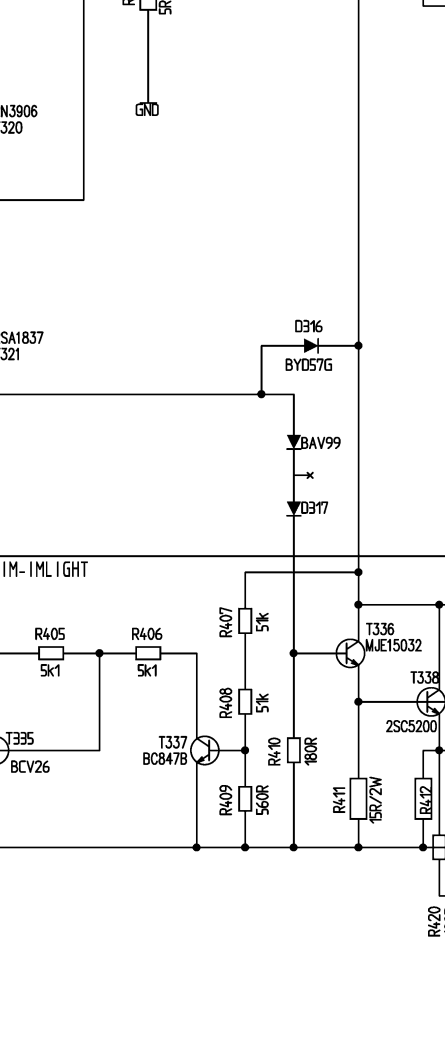
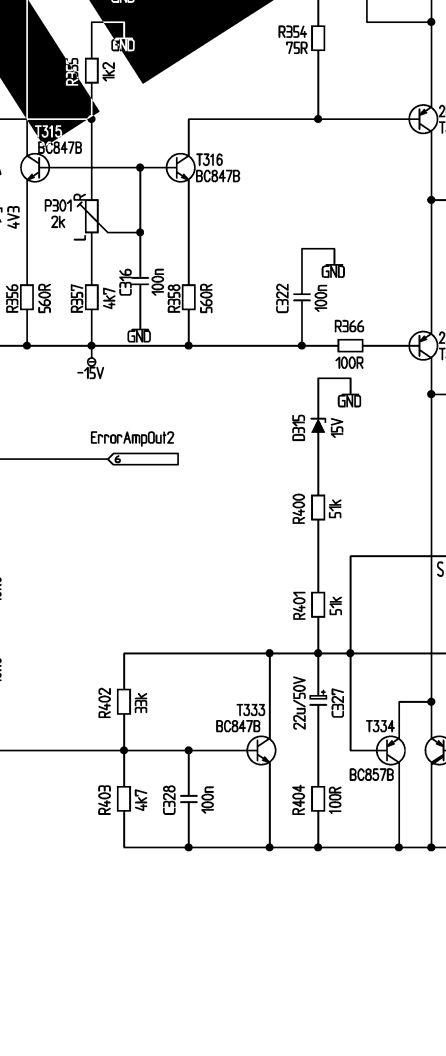
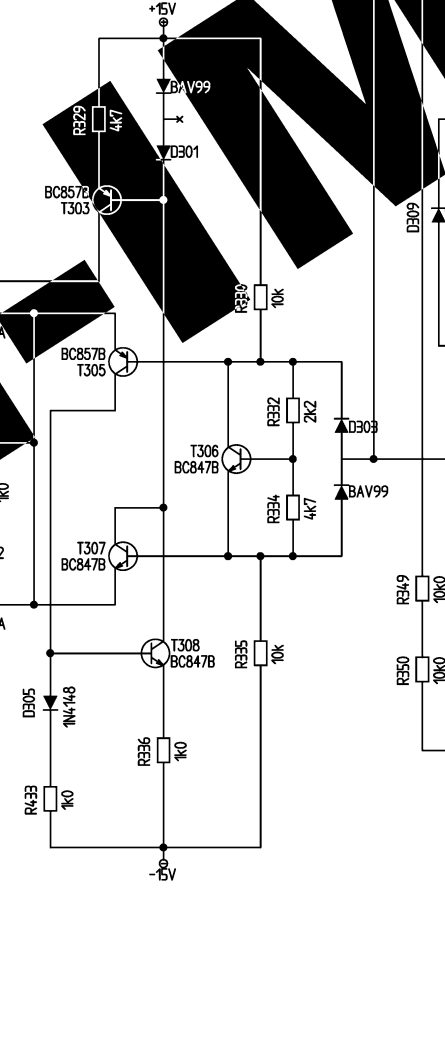
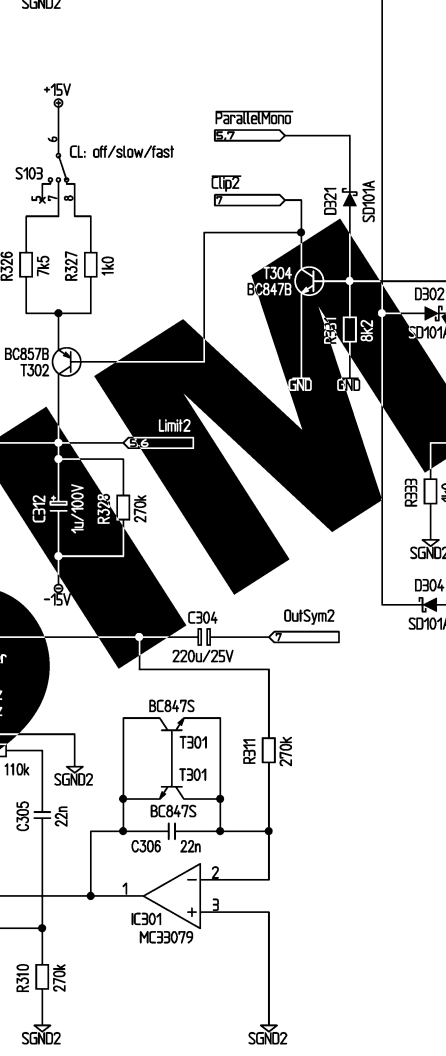
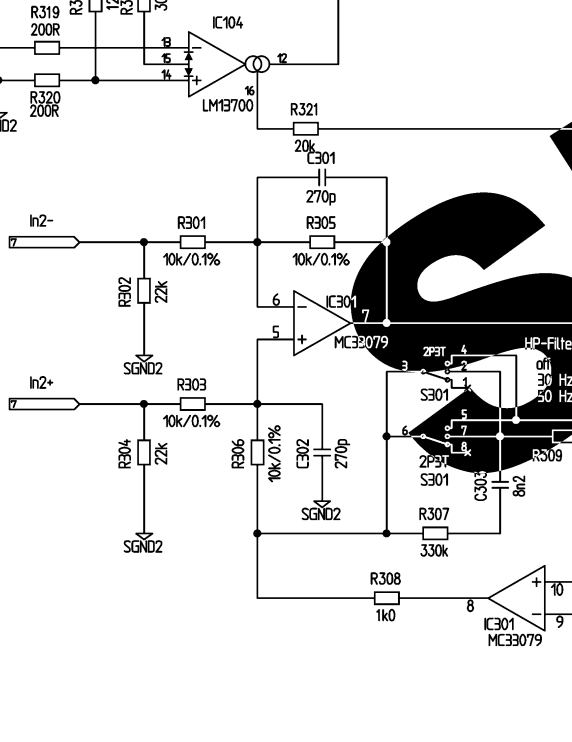
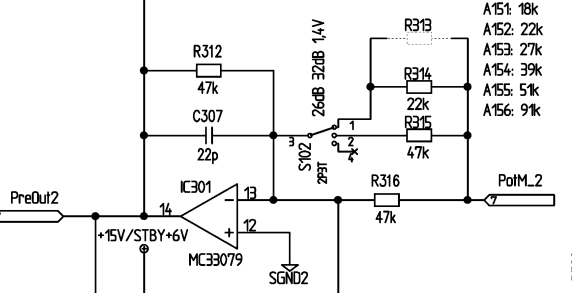
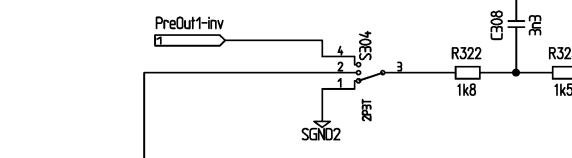
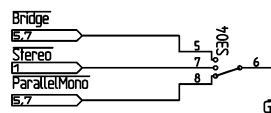
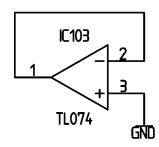
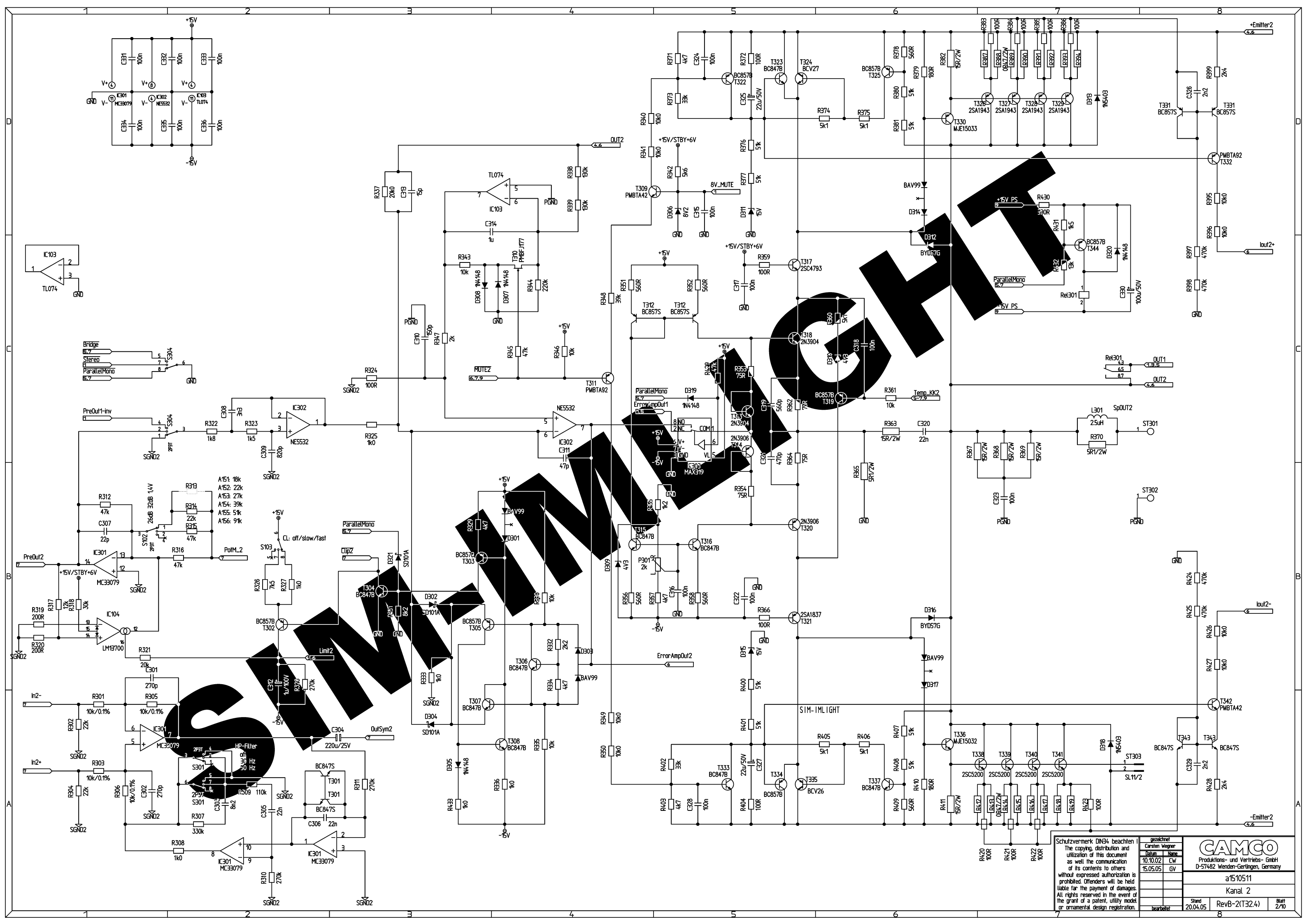
Schutzvermerk DIN34 beachten!
 The copying, distribution and utilization of this document as well as the communication of its contents to others without expressed authorization is prohibited. Offenders will be held liable for the payment of damages. All rights reserved in the event of the grant of a patent, utility model or ornamental design registration.

gezeichnet	Carsten Wagner
Datum	10.10.02
Blatt	15.05.05
GV	

CAMCO
 Produktions- und Vertriebs-GmbH
 D-57482 Wenden-Gerlingen, Germany

a1510511
 Kanal 1

Stand	20.04.05	RevB-2(T32.4)	Blatt	1/10
-------	----------	---------------	-------	------



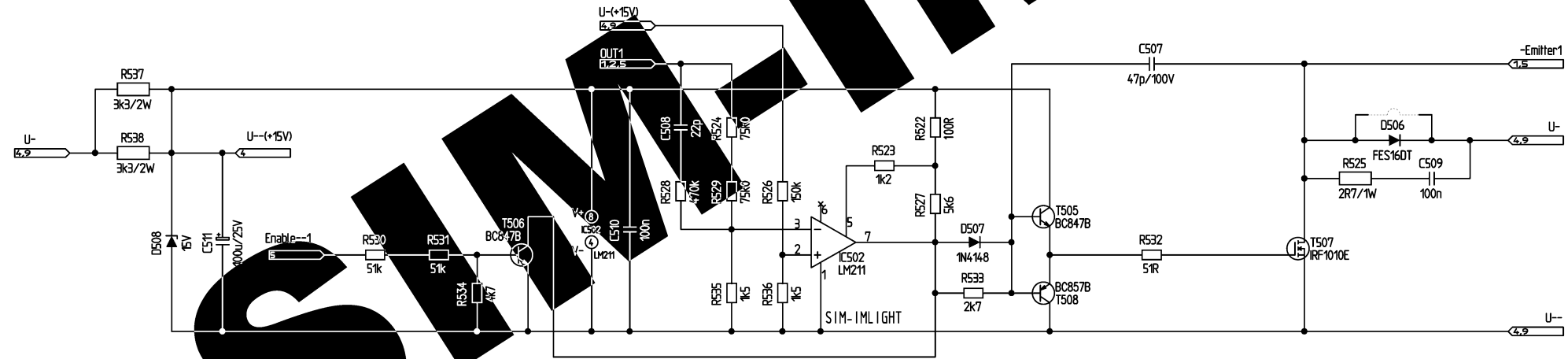
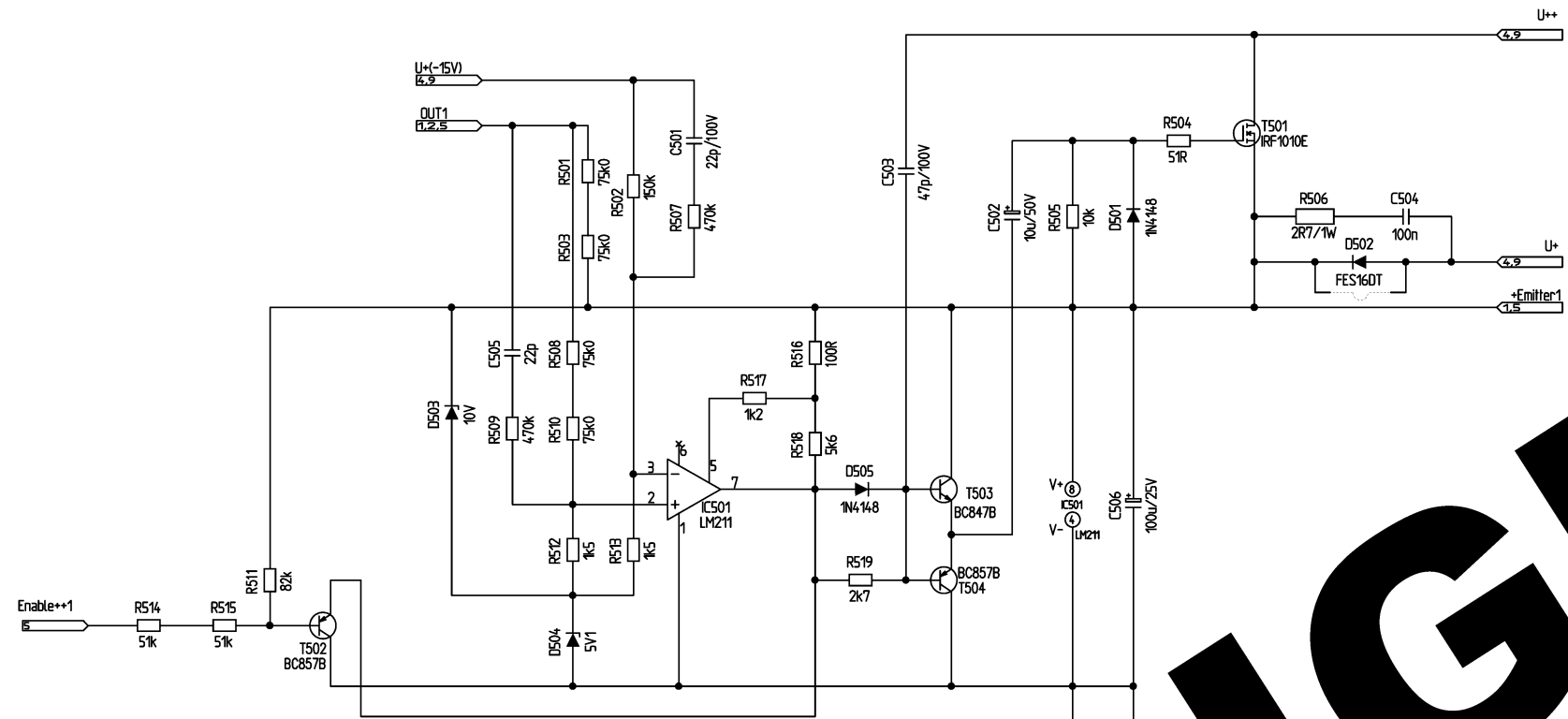
Schutzvermerk DIN3 beachten!
 The copying, distribution and utilization of this document as well as the communication of its contents to others without expressed authorization is prohibited. Offenders will be held liable for the payment of damages. All rights reserved in the event of the grant of a patent, utility model or ornamental design registration.

gezeichnet	Carsten Wagner
Datum	10.10.02
Blatt	CW
Version	15.05.05
GV	

CAMCO
 Produktions- und Vertriebs-GmbH
 D-57482 Wenden-Gertlingen, Germany


a1510511
 Kanal 2

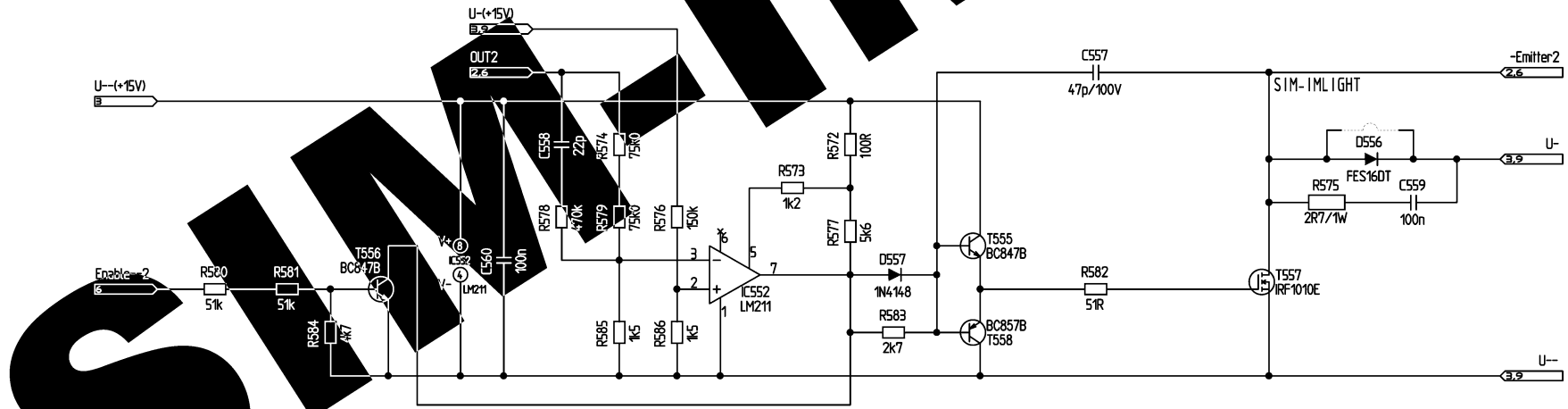
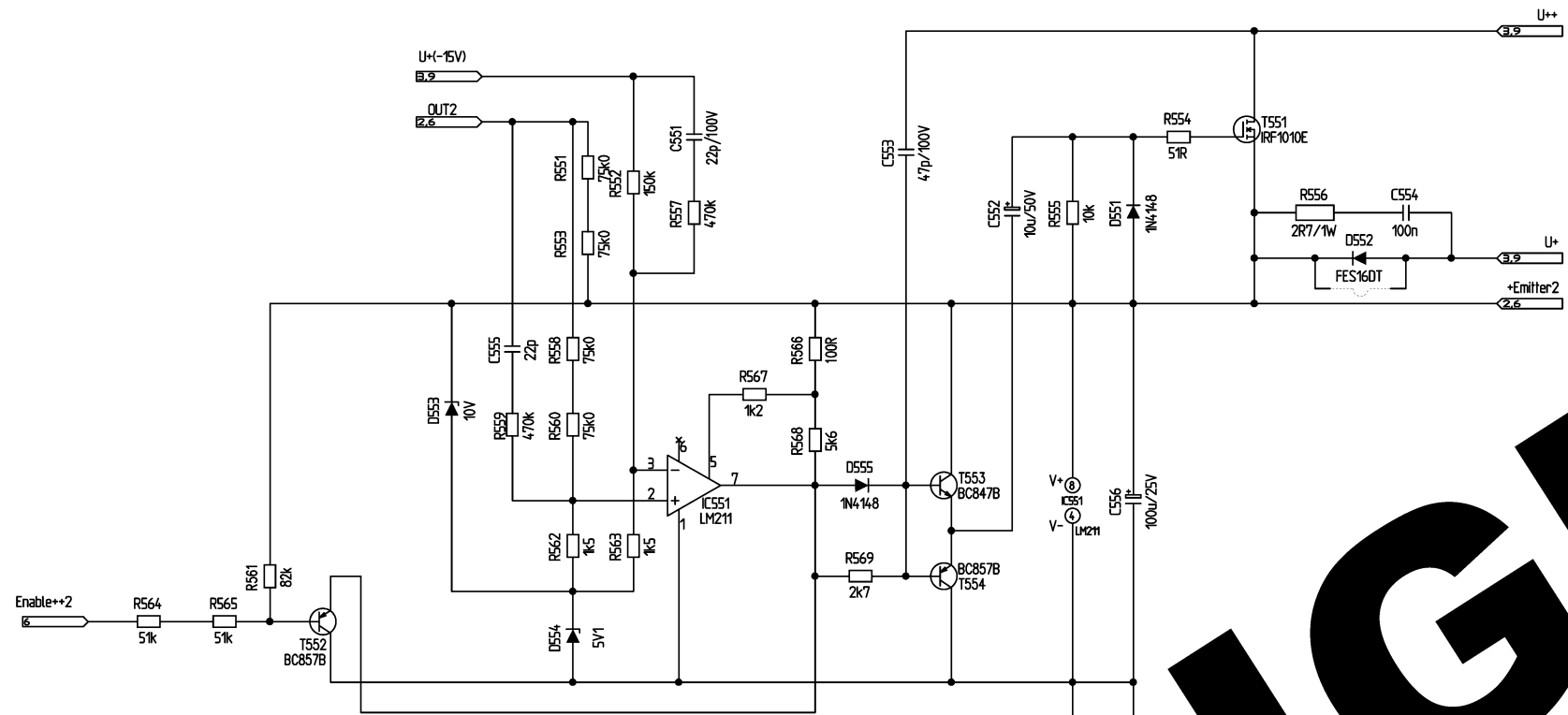
Stand	20.04.05	RevB-2(T32.4)	Blatt	2/10
-------	----------	---------------	-------	------



SIM-IMMLIGHT


A155, A156: all unplaced, 2 short placed

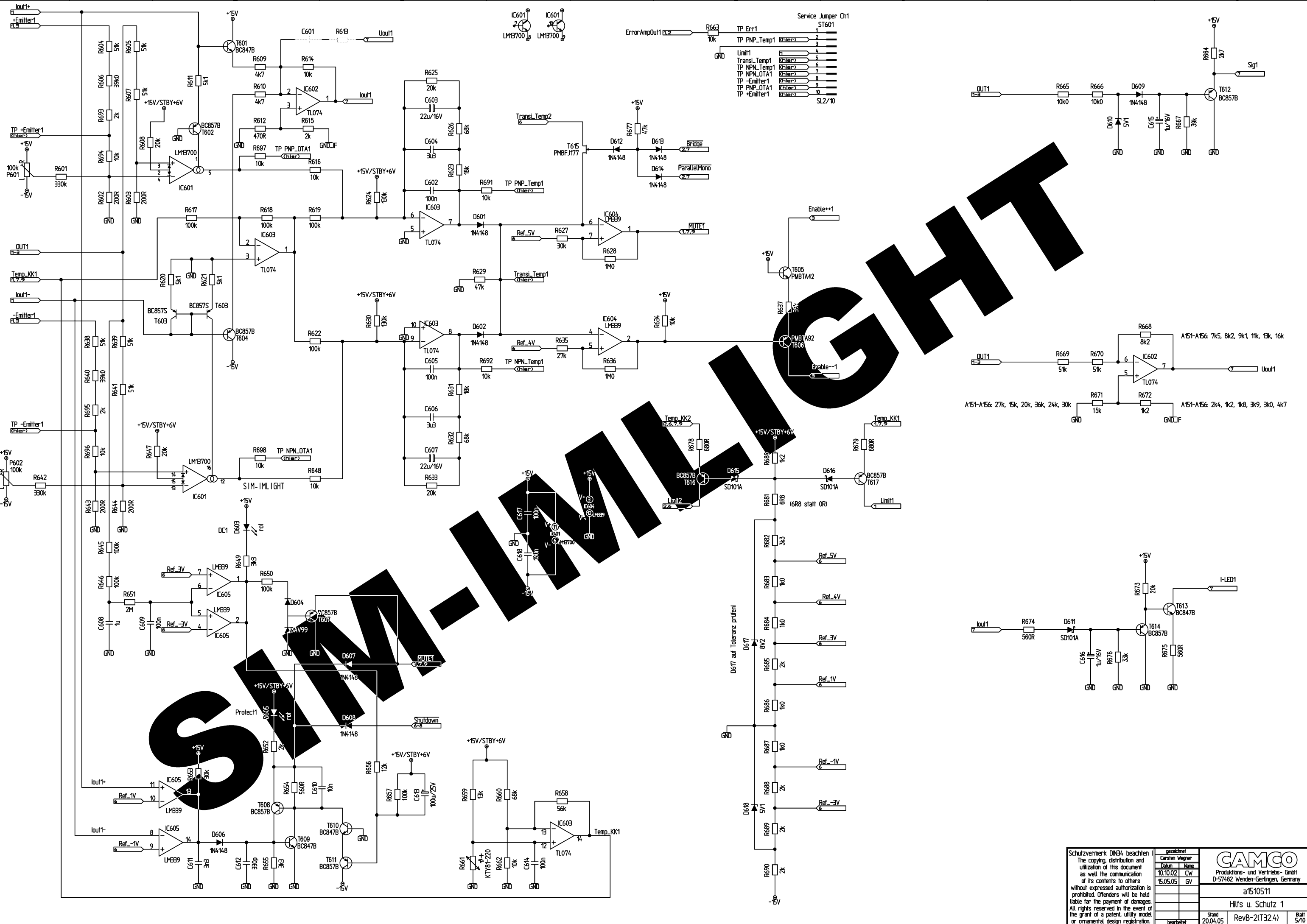
Schutzvermerk DIN34 beachten! The copying, distribution and utilization of this document as well as the communication of its contents to others without expressed authorization is prohibited. Offenders will be held liable for the payment of damages. All rights reserved in the event of the grant of a patent, utility model or ornamental design registration.		gezeichnet Carsten Wegner	 Produktions- und Vertriebs- GmbH D-57482 Wenden-Gerlingen, Germany	
Datum	10.10.02	Nr.		
bearbeitet	15.05.05	GV		a1510511
		EmitterBusse 1		
Stand	20.04.05	RevB-2(T32.4)		Blatt 3/10



A155, A156: all unplaced, 2 short placed

SIM-IMMLIGHT

Schutzvermerk DIN34 beachten! The copying, distribution and utilization of this document as well as the communication of its contents to others without expressed authorization is prohibited. Offenders will be held liable for the payment of damages. All rights reserved in the event of the grant of a patent, utility model or ornamental design registration.		gezeichnet Carsten Wegner	 Produktions- und Vertriebs- GmbH D-57482 Wenden-Gerlingen, Germany	
Datum	10.10.02	Nr.		
bearbeitet	15.05.05	GV		
		a1510511		
		EmitterBusse 2		
Stand	20.04.05	RevB-2(T32.4)	Blatt	4/10

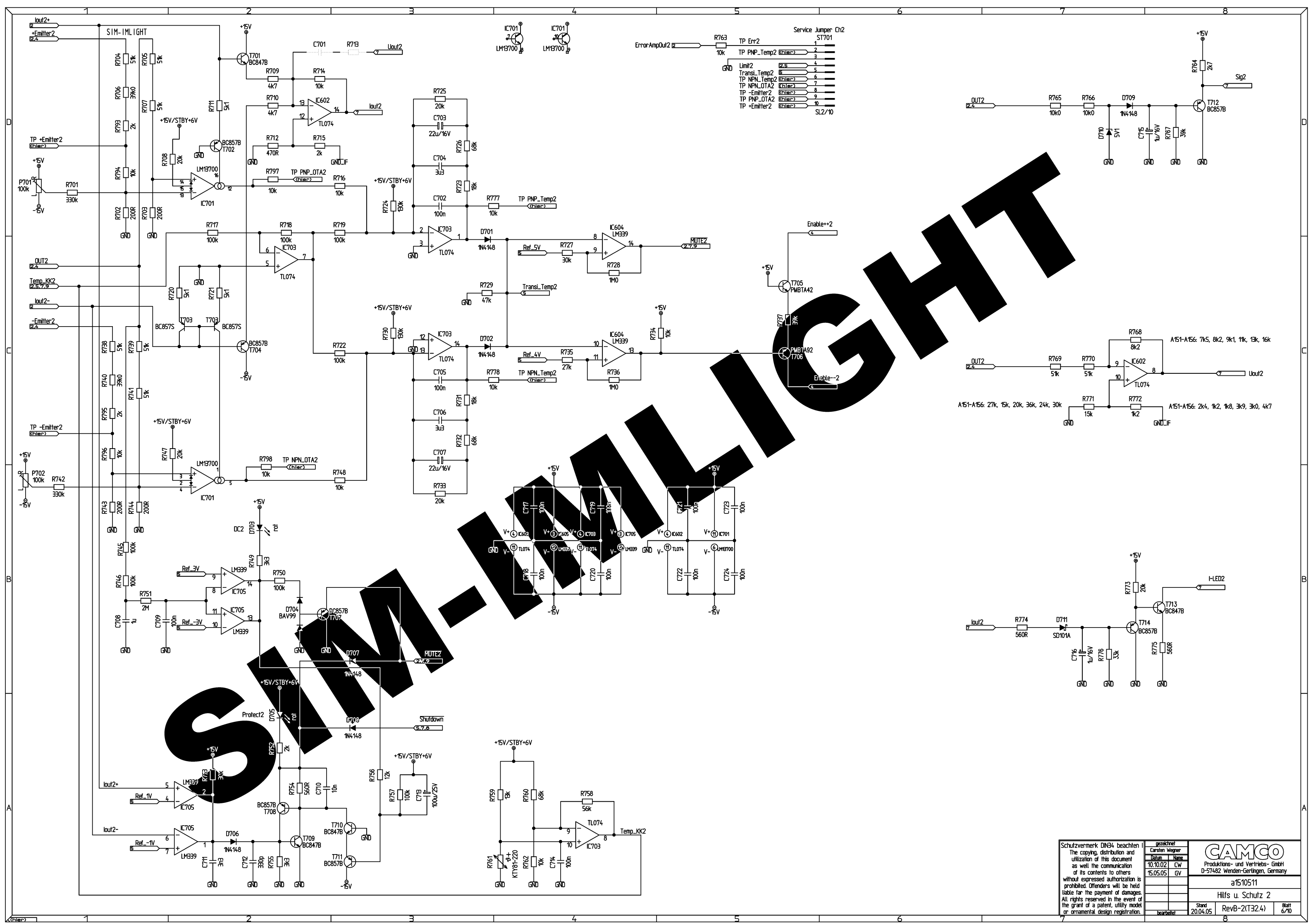



S.M.I.L.I.G.H.T.

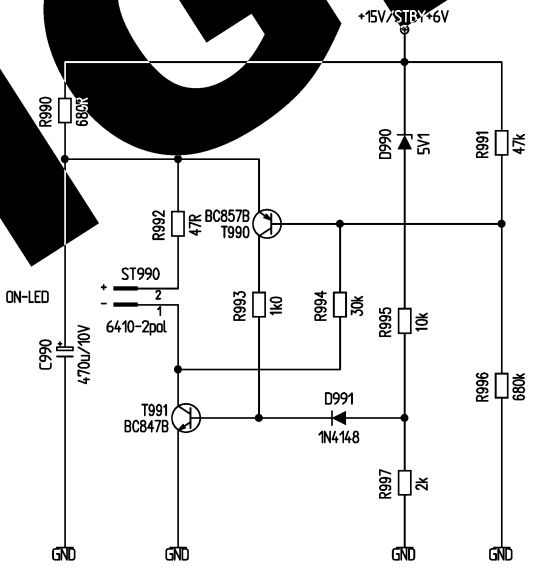
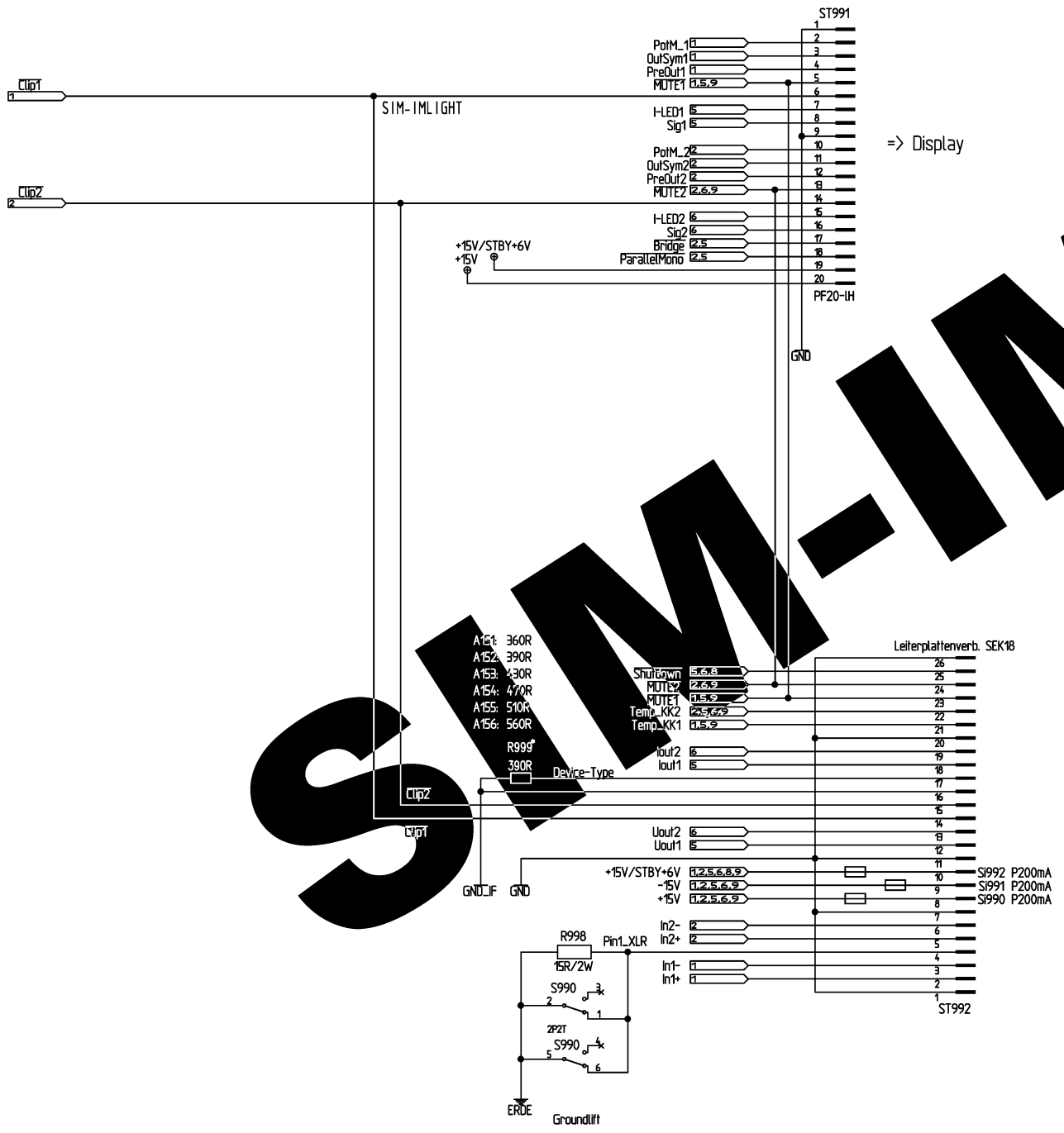
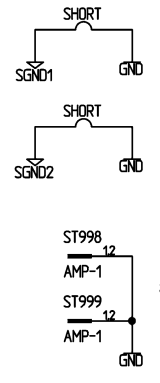
Service Jumper Ch1

TP Err1	1
TP PNP_Temp1	2
Limit1	3
Transi_Temp1	4
TP NPN_Temp1	5
TP NPN_OTA1	6
TP -Emitter1	7
TP PNP_OTA1	8
TP -Emitter1	9
TP +Emitter1	10
SL2/10	

Schutzvermerk DIN34 beachten! The copying, distribution and utilization of this document as well as the communication of its contents to others without expressed authorization is prohibited. Offenders will be held liable for the payment of damages. All rights reserved in the event of the grant of a patent, utility model or ornamental design registration.		gezeichnet Carsten Wagner	CAMCO Produktions- und Vertriebs- GmbH D-57482 Wenden-Gerlingen, Germany
		Datum 10.10.02 CW	
		15.05.05 GV	a1510511
			Hilfs u. Schutz 1
Stand 20.04.05	RevB-2(T32.4)	Blatt 5/10	

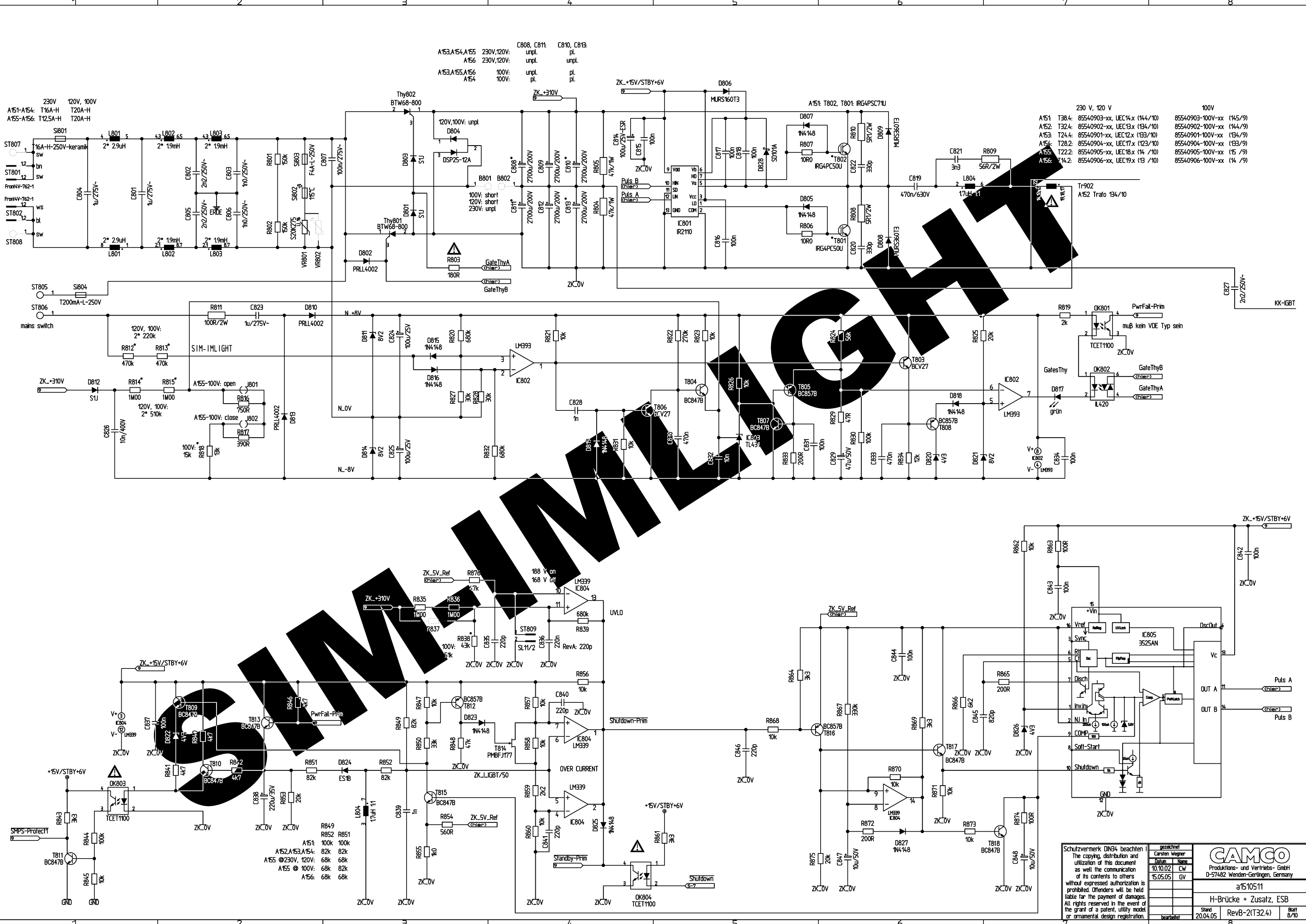


Schutzvermerk DIN34 beachten! The copying, distribution and utilization of this document as well as the communication of its contents to others without expressed authorization is prohibited. Offenders will be held liable for the payment of damages. All rights reserved in the event of the grant of a patent, utility model or ornamental design registration.		gezeichnet Carsten Wegner	 Produktions- und Vertriebs- GmbH D-57482 Wenden-Gerlingen, Germany a1510511 Hilfs u. Schutz 2
		Datum 10.10.02 CW 15.05.05 GV	
Stand 20.04.05	RevB-2(T32.4)	Blatt 6/10	



SIM-IMMLIGHT

Schutzvermerk DIN34 beachten! The copying, distribution and utilization of this document as well as the communication of its contents to others without expressed authorization is prohibited. Offenders will be held liable for the payment of damages. All rights reserved in the event of the grant of a patent, utility model or ornamental design registration.		gezeichnet Carsten Wegner Datum 10.10.02 15.05.05 CW GV	 Produktions- und Vertriebs-GmbH D-57482 Wenden-Gerlingen, Germany a1510511 DisplayCon / EU1	Stand 20.04.05	RevB-2(T32.4)	Blatt 7/10
		bearbeitet				



C808, C811 C810, C813
 A153, A154, A155 230V, 120V: unpl. pt. unpl.
 A156 230V, 120V: unpl. pt. unpl.
 A153, A155, A156 100V: unpl. pt. unpl.

230V 120V, 100V
 A151-A154: T16A-H T20A-H
 A155-A156: T12,5A-H T20A-H

230 V, 120 V
 A151: T38.4: 85540903-xx, UEC14.x (144/10)
 A152: T32.4: 85540902-xx, UEC13.x (134/10)
 A153: T24.4: 85540901-xx, UEC12.x (123/10)
 A154: T28.2: 85540904-xx, UEC17.x (123/10)
 A155: T22.2: 85540905-xx, UEC18.x (14 /10)
 A156: T14.2: 85540906-xx, UEC19.x (13 /10)

100V
 85540903-100V-xx (145/9)
 85540902-100V-xx (144/9)
 85540901-100V-xx (134/9)
 85540904-100V-xx (133/9)
 85540905-100V-xx (15 /9)
 85540906-100V-xx (14 /9)

SIMULINK

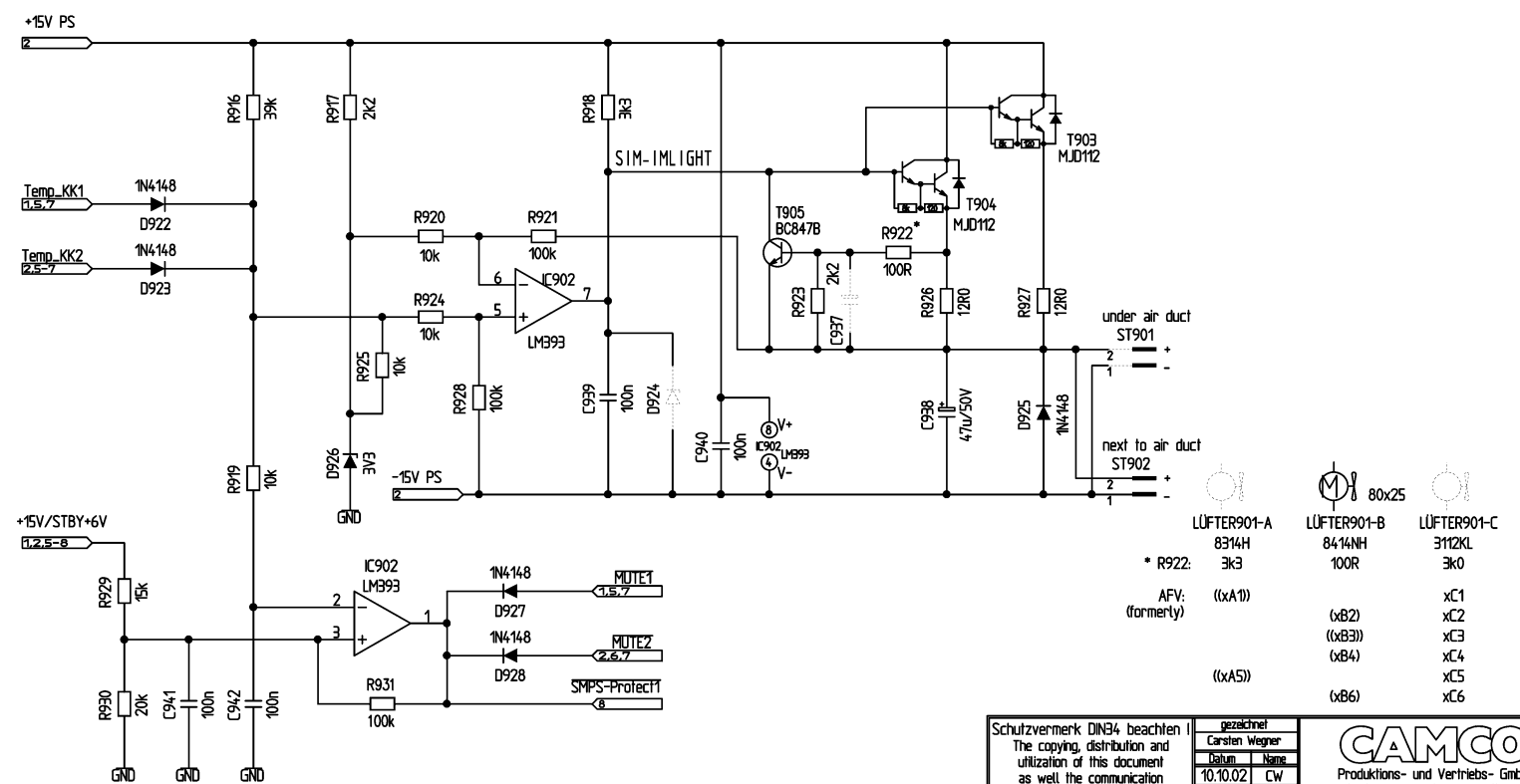
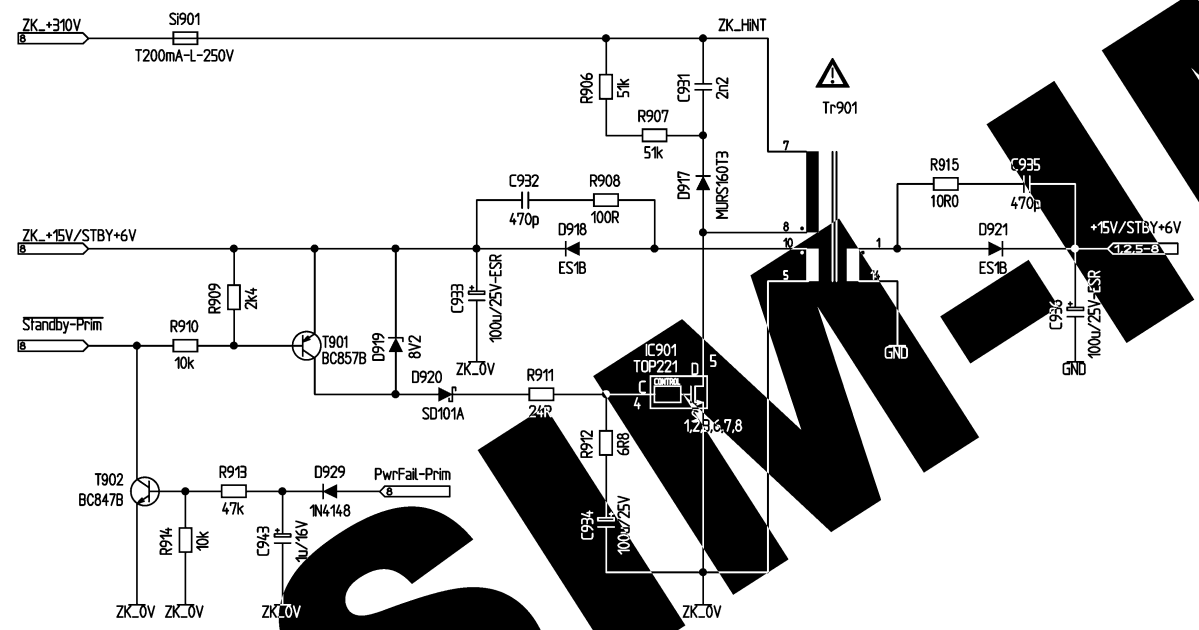
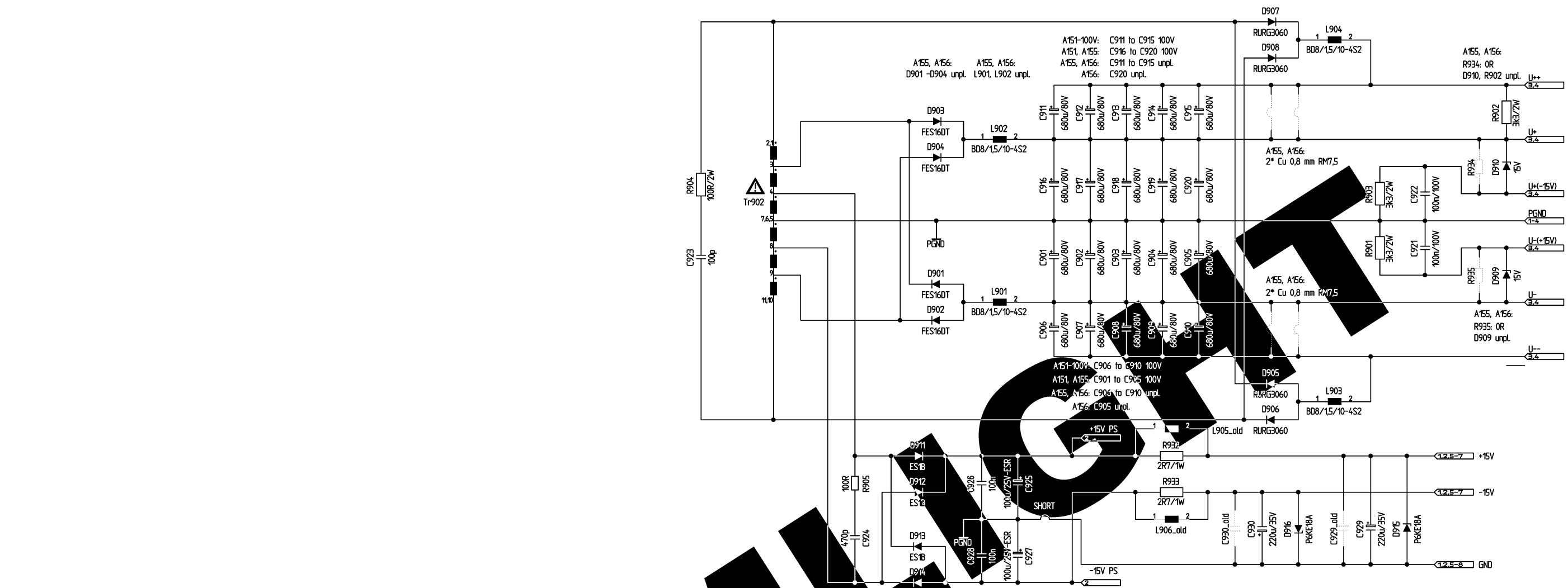
Schutzvermerk DIN34 beachten!
 The copying, distribution and utilization of this document as well as the communication of its contents to others without expressed authorization is prohibited. Offenders will be held liable for the payment of damages. All rights reserved in the event of the grant of a patent, utility model or ornamental design registration.

gezeichnet	Carsten Wegner
Datum	10.10.02
Weg	CW
15.05.05	GV

CAMCO
 Produktions- und Vertriebs-GmbH
 D-57482 Wenden-Gerlingen, Germany

a1510511
 H-Brücke + Zusatz, ESB

Stand	20.04.05	RevB-2(T32.4)	Blatt	8/10
-------	----------	---------------	-------	------



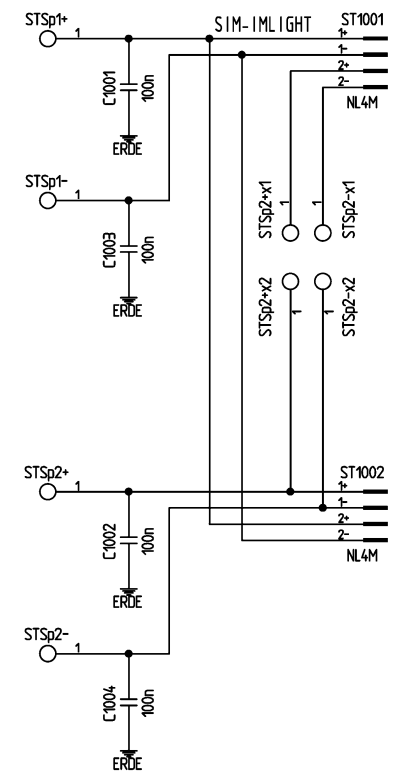
	80x25		
LÜFTER901-A	LÜFTER901-B	LÜFTER901-C	
8314H	8414H	312KL	
3k3	100R	3k0	
AVF: (x1)	(x2)	(x3)	(x4)
(x5)	(x6)	(x7)	(x8)


Schutzvermerk DIN34 beachten!
 The copying, distribution and utilization of this document as well as the communication of its contents to others without expressed authorization is prohibited. Offenders will be held liable for the payment of damages. All rights reserved in the event of the grant of a patent, utility model or ornamental design registration.

gezeichnet	Carsten Wagner
Datum	10.10.02
Weg	CW
GV	15.05.05

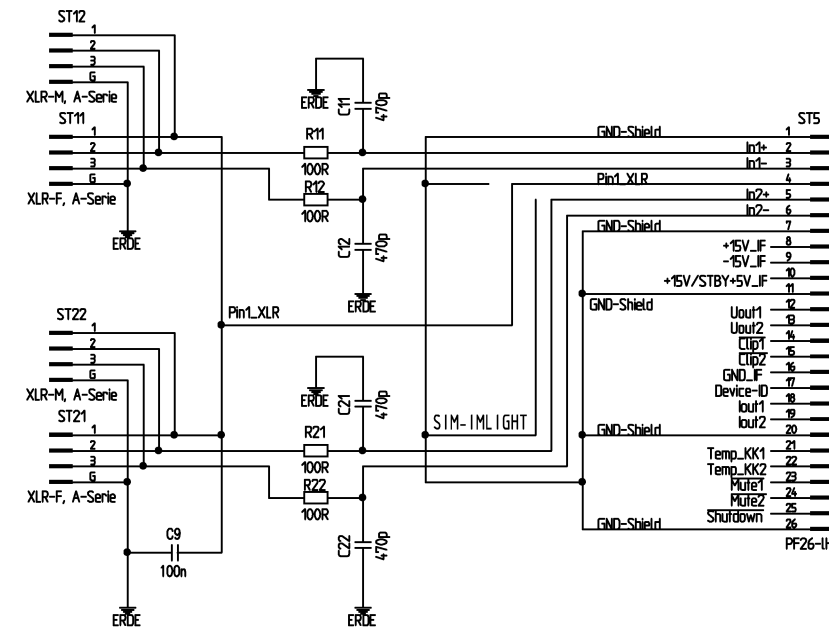
CAMCO
 Produktions- und Vertriebs- GmbH
 D-57482 Wenden-Gerlingen, Germany
 a1510511
 Haupt-NT sek., Hilfs-NT, Lüfter
 Stand 20.04.05 RevB-2(T32.4) Blatt 9/10

SIM-IMMLIGHT



Schutzvermerk DIN34 beachten! The copying, distribution and utilization of this document as well as the communication of its contents to others without expressed authorization is prohibited. Offenders will be held liable for the payment of damages. All rights reserved in the event of the grant of a patent, utility model or ornamental design registration.	gezeichnet	 Produktions- und Vertriebs- GmbH D-57482 Wenden-Gerlingen, Germany	
	Carsten Wegner	a1510511	
	Datum	Speakon	
	10.10.02 CW	Stand	
15.05.05 GV	20.04.05	RevB-2(T32.4)	Blatt
	bearbeitet		10/10

SIM-IMMLIGHT



V1: Lochabstand Blechwinkel kleiner 30.06.03 GV

Schutzvermerk DIN34 beachten!
The copying, distribution and utilization of this document as well as the communication of its contents to others without expressed authorization is prohibited. Offenders will be held liable for the payment of damages. All rights reserved in the event of the grant of a patent, utility model or ornamental design registration.

gezeichnet	Carsten Wegner
geprüft	CW
Stand	04.02.03

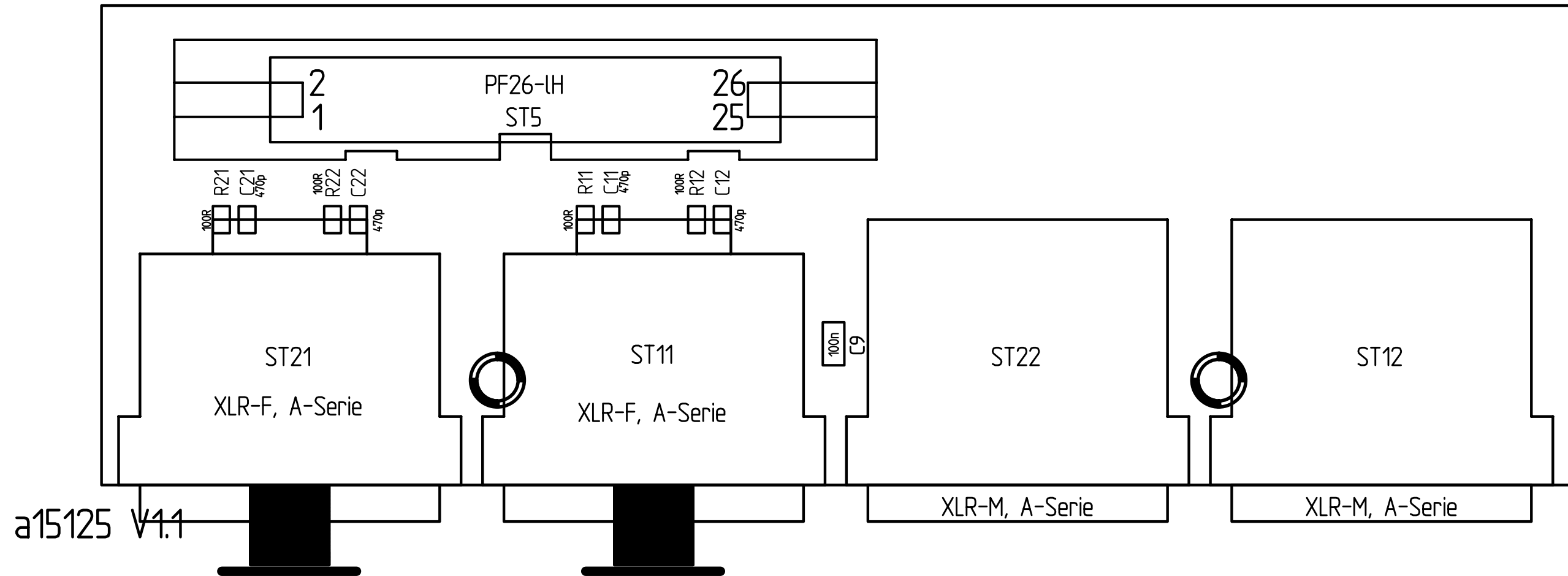
CAMCO
Produktions- und Vertriebs-GmbH
D-57482 Wenden-Gertingen, Germany

a1512511
XLR-Eingangsplatine

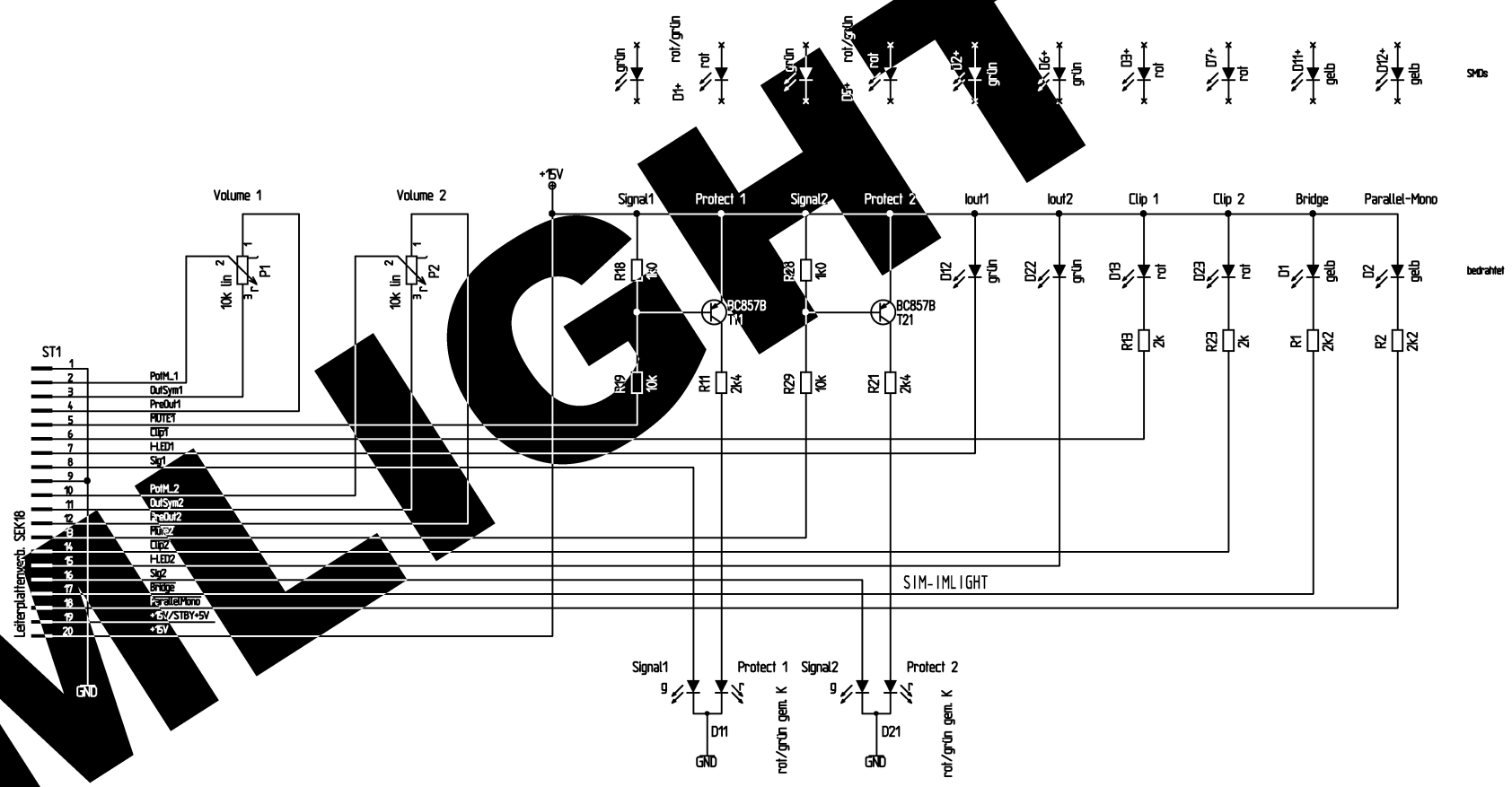
RevA Blatt 1/1

A15125 [RevA]

Born Free Inc. Taiwan

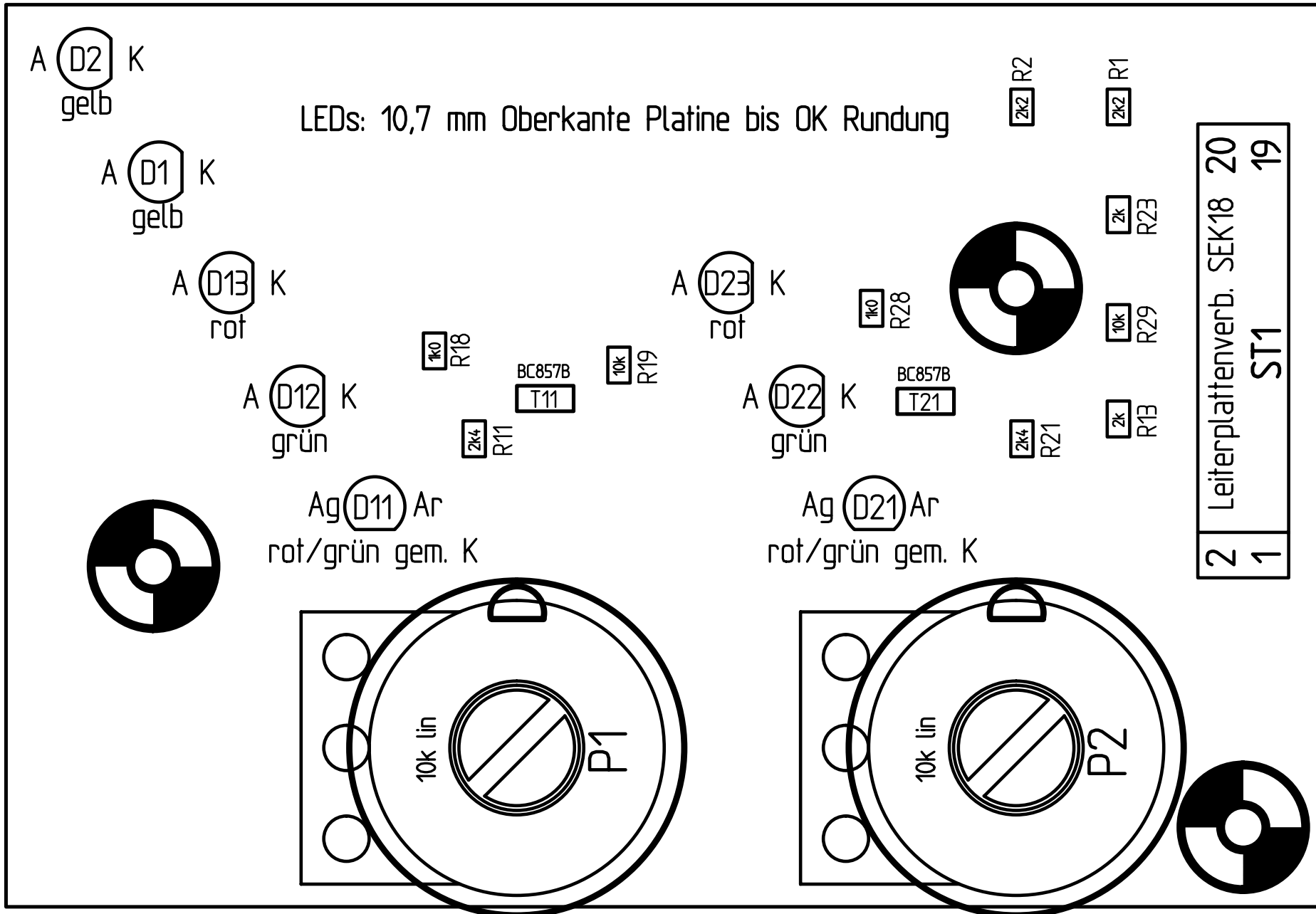


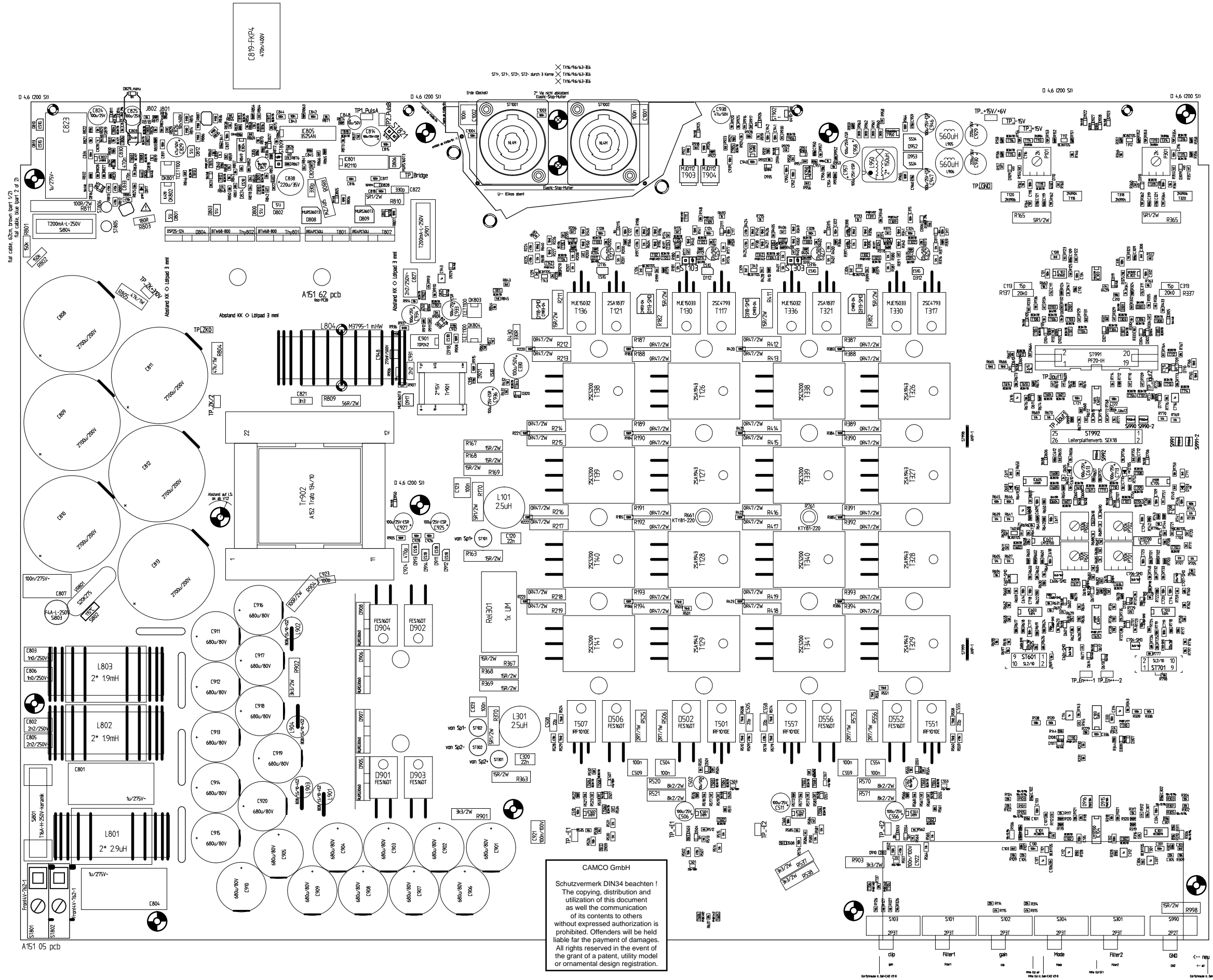
SIM-IML LIGHT



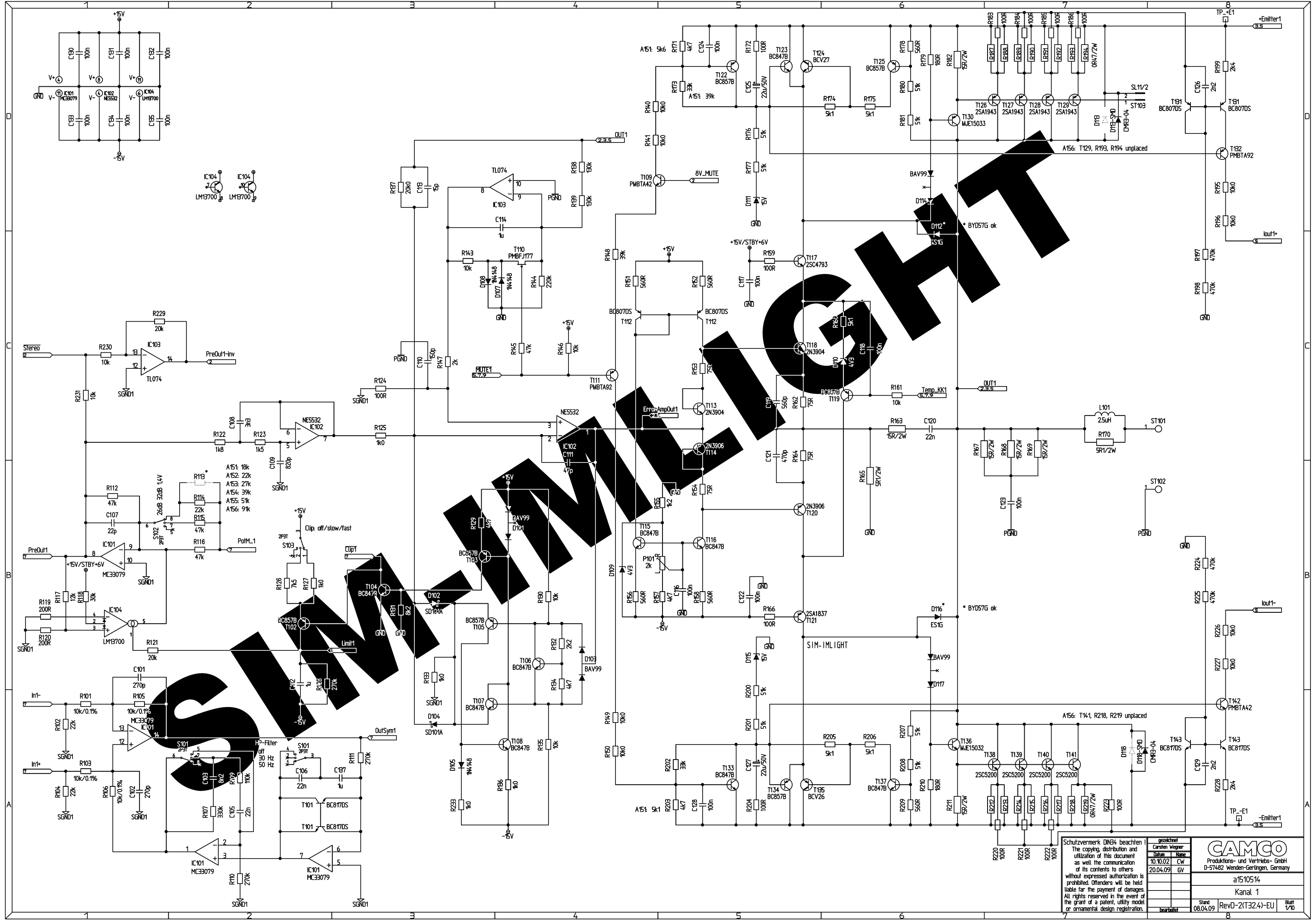
Schutzvermerk DIN34 beachten! The copying, distribution and utilization of this document as well as the communication of its contents to others without expressed authorization is prohibited. Offenders will be held liable for the payment of damages. All rights reserved in the event of the grant of a patent, utility model or ornamental design registration.	gezeichnet	CAMCO	
	Carsten Wegner	Produktions- und Vertriebs- GmbH	
	Datum	30.10.02	CW
	28.08.03	GV	
		a1519011	
		Display	
	Stand	30.06.03	Rev A
	bearbeitet		Blatt 1/1

A15130 [Rev A]





CAMCO GmbH
 Schutzvermerk DIN34 beachten !
 The copying, distribution and
 utilization of this document
 as well as the communication
 of its contents to others
 without expressed authorization is
 prohibited. Offenders will be held
 liable for the payment of damages.
 All rights reserved in the event of
 the grant of a patent, utility model
 or ornamental design registration.



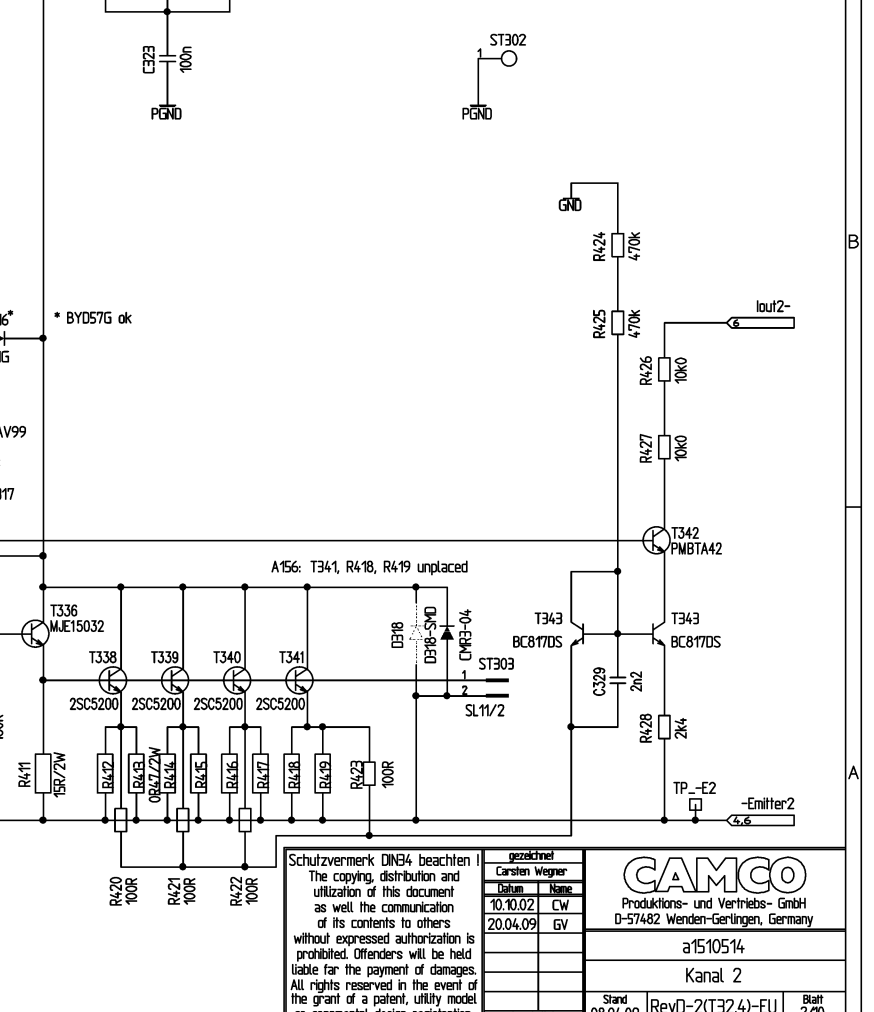
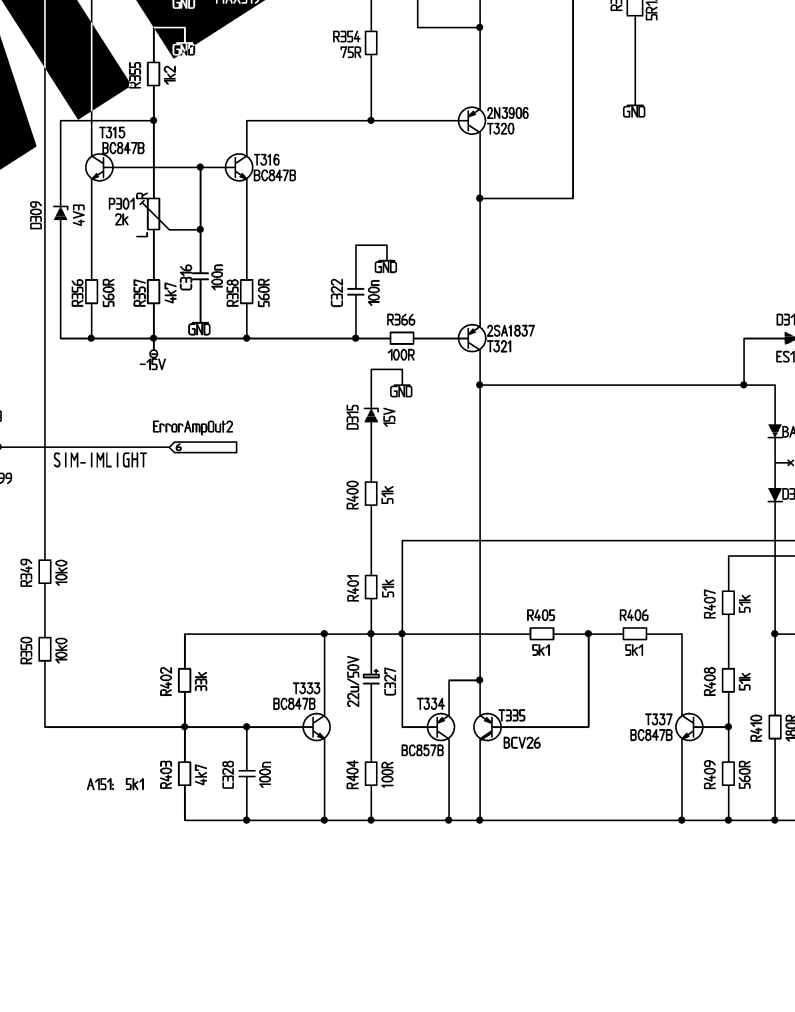
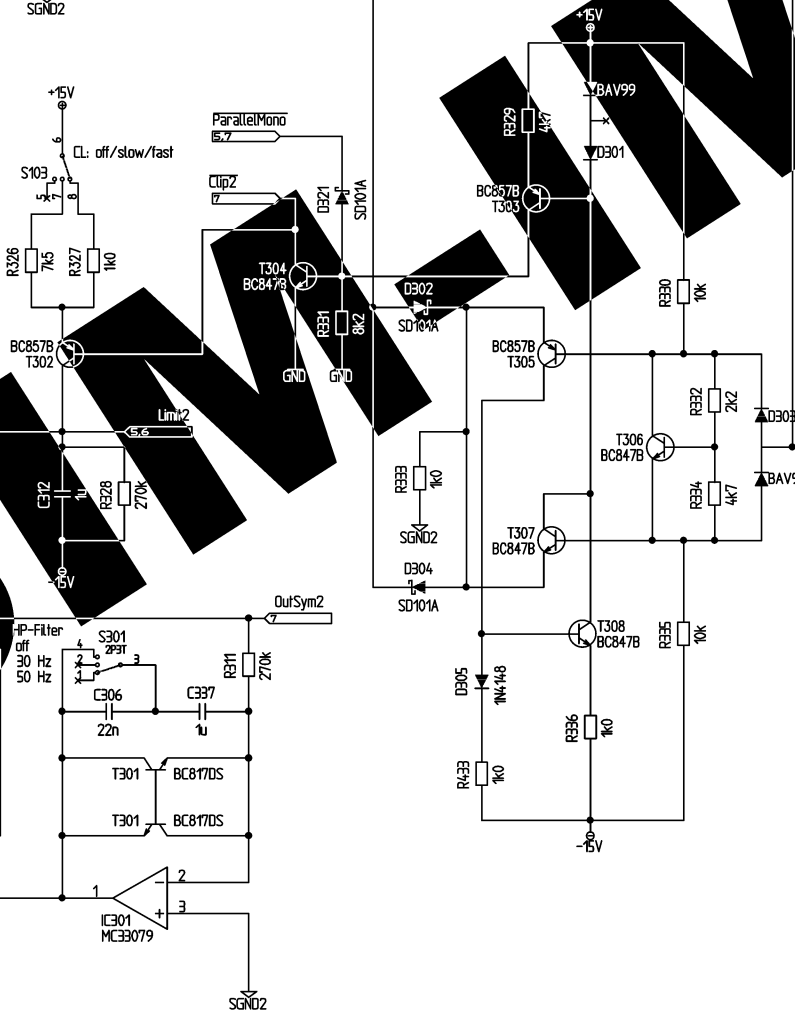
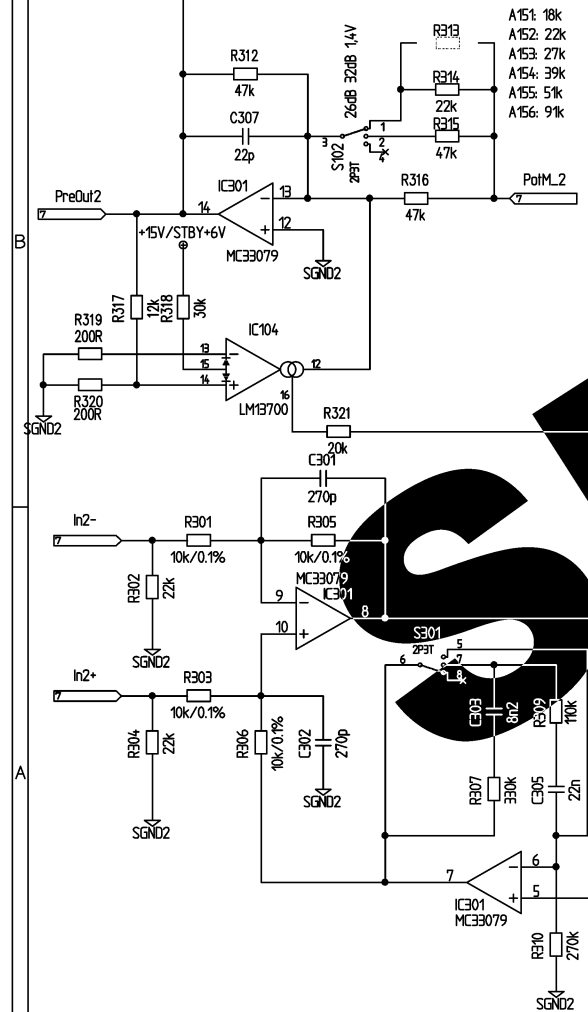
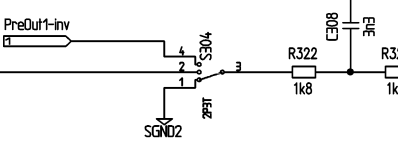
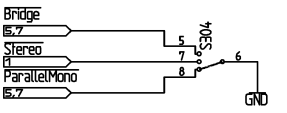
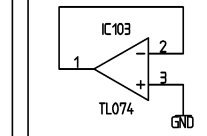
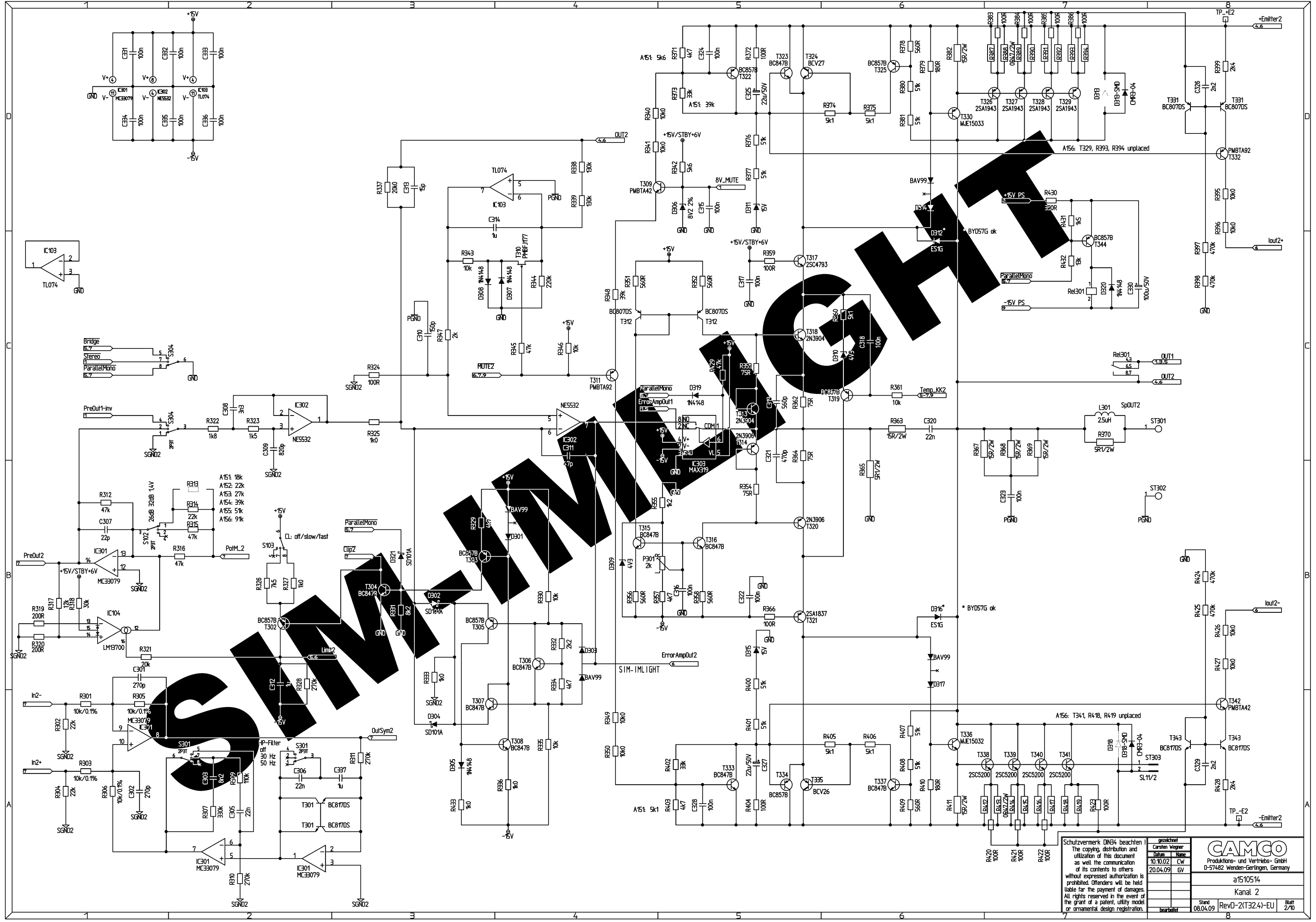
Schutzvermerk DIN84 beachten
The copying, distribution and utilization of this document as well as the communication of its contents to others without expressed authorization is prohibited. Offenders will be held liable for the payment of damages. All rights reserved in the event of the grant of a patent, utility model or ornamental design registration.

gezeichnet	Carsten Wegner
Datum	10.10.02
Name	CW
geprüft	20.04.09
bearbeitet	GV

CAMCO
Produktions- und Vertriebs-GmbH
D-57482 Wenden-Gertrien, Germany

a1510514
Kanal 1

Stand 08.04.09
RevD-2(T32.4)-EU
Blatt 1/10



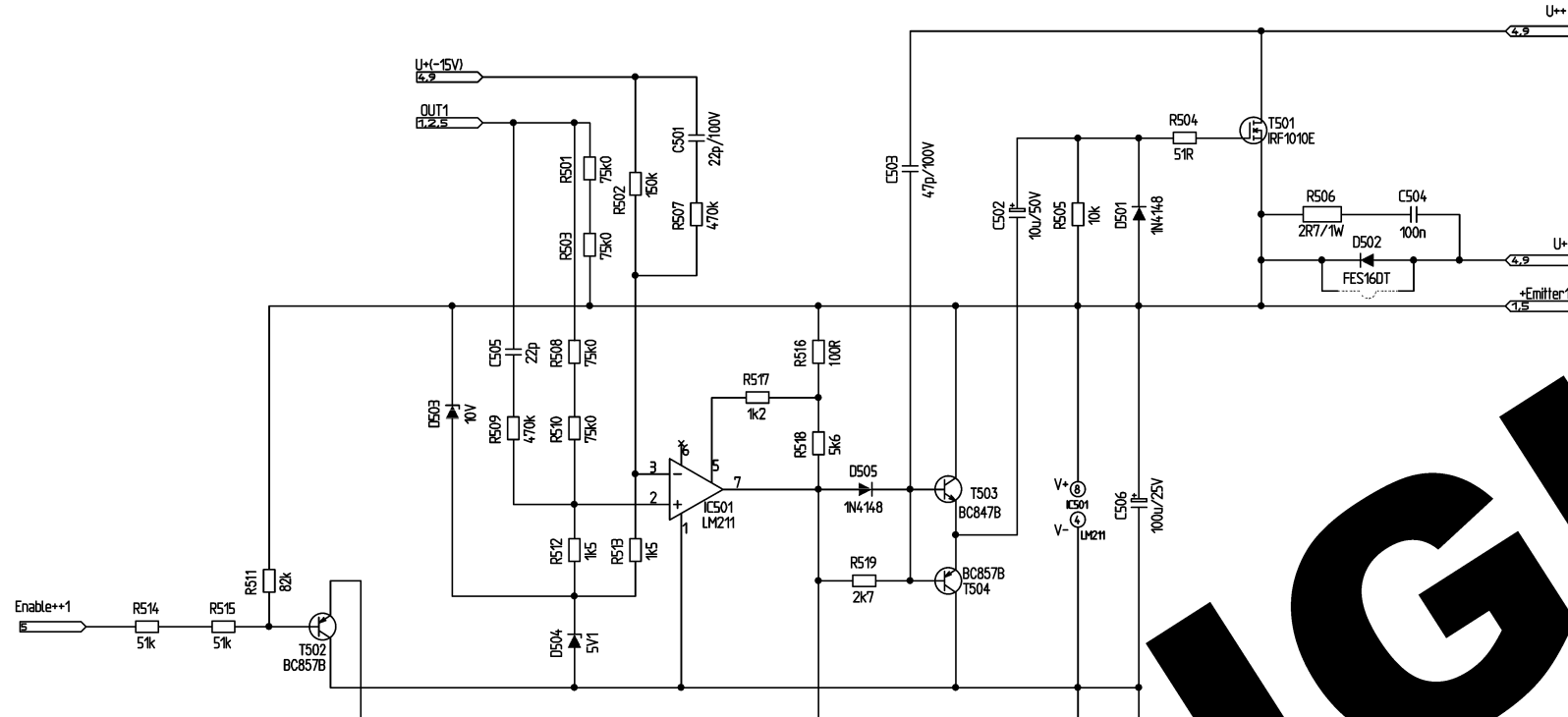
Schutzvermerk DIN84 beachten
The copying, distribution and utilization of this document as well as the communication of its contents to others without expressed authorization is prohibited. Offenders will be held liable for the payment of damages. All rights reserved in the event of the grant of a patent, utility model or ornamental design registration.

gezeichnet	Carsten Wegner
Datum	10.10.02
Name	CW
geprüft	20.04.09
GV	

CAMCO
Produktions- und Vertriebs-GmbH
D-57482 Wenden-Gerlingen, Germany

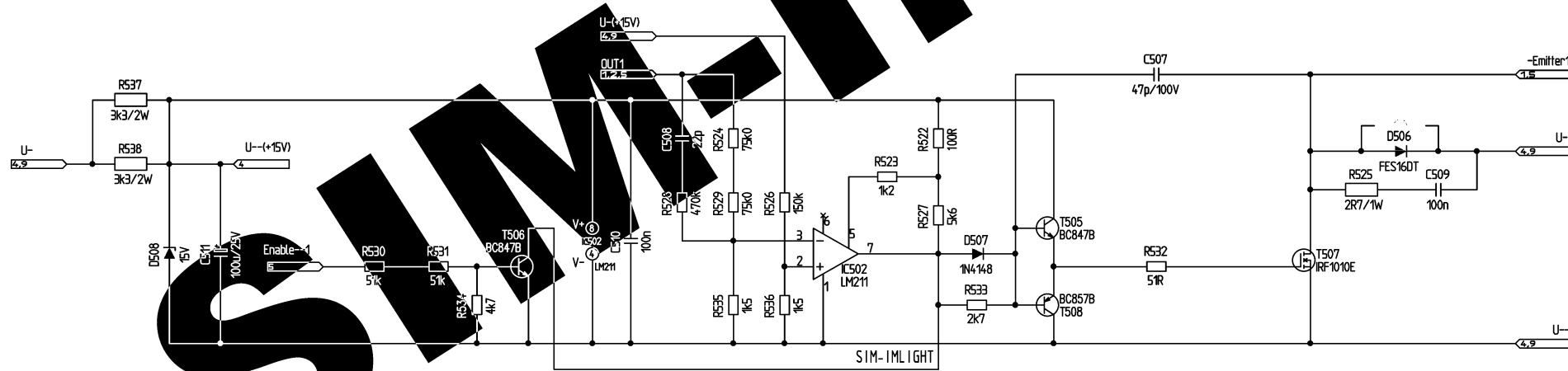
a1510514
Kanal 2

Stand 08.04.09
RevD-2(T32.4)-EU
Blatt 2/70



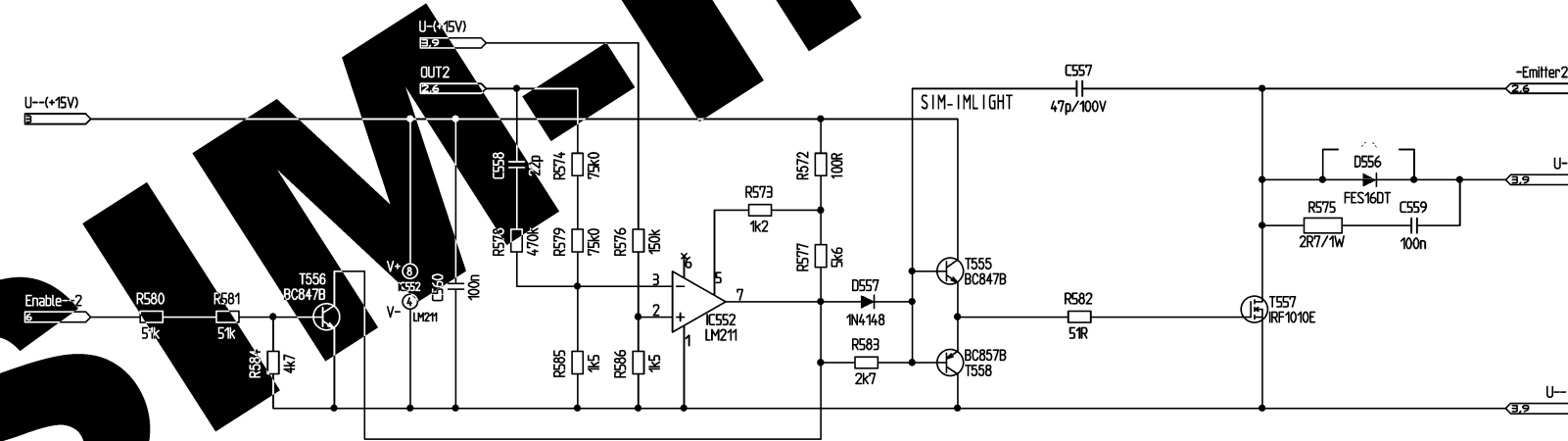
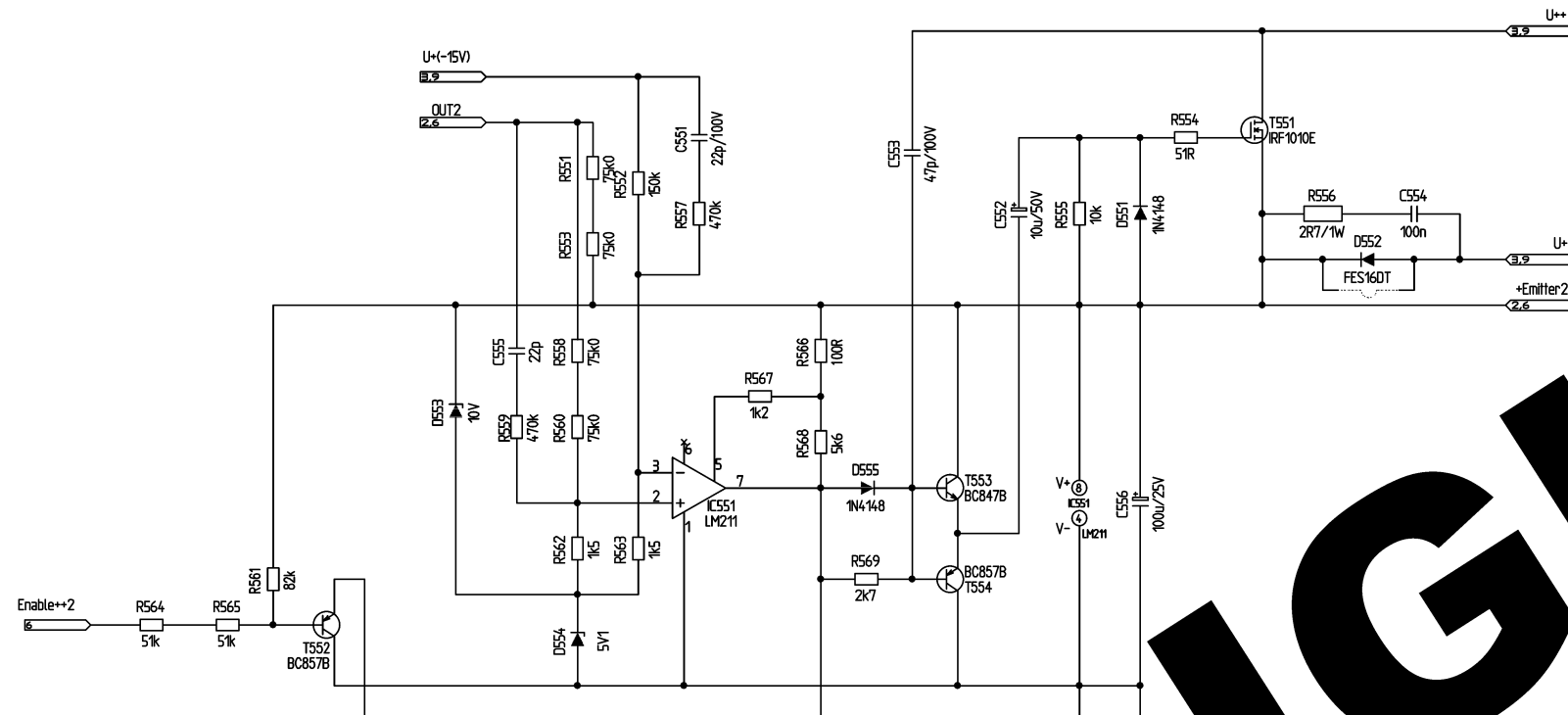
T501, T507:
 A151-EU, -US: STP120NF10 or HUF7554SP3
 A151-JP: STP120NF10
 A152-EU, -US: STP120NF10 or HUF7554SP3 or R1010E
 A152-JP: STP120NF10 or HUF7554SP3
 A153: STP120NF10 or HUF7554SP3 or R1010E
 A154: STP120NF10 or HUF7554SP3 or R1010E

A155, A156: all parts of this page unplaced, 2 short placed



SIM-IMMLIGHT

Schutzvermerk DIN94 beachten The copying, distribution and utilization of this document as well as the communication of its contents to others without expressed authorization is prohibited. Offenders will be held liable for the payment of damages. All rights reserved in the event of the grant of a patent, utility model or ornamental design registration.	gezeichnet	CAMCO	
	Carsten Wegner	Produktions- und Vertriebs- GmbH	
	Datum	10.10.02	0-57482 Wenden-Gertlingen, Germany
	Name	20.04.09	GV
		a1510514	
		EmitterBusse 1	
	Stand	08.04.09	RevD-2(T32.4)-EU Blatt 3/70
	bearbeitet		

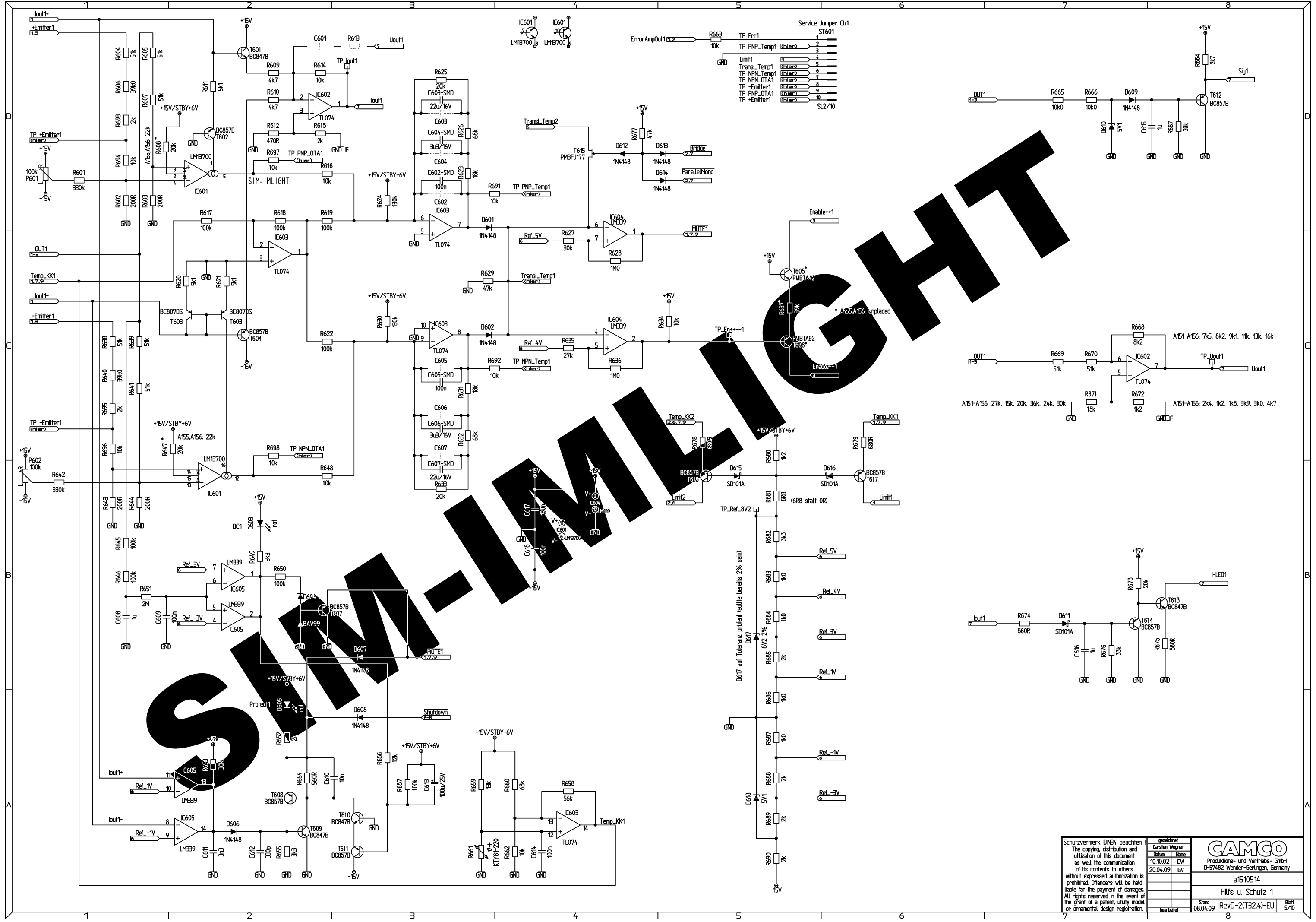


SIM-IMMLIGHT


- T551, T557:
- A151-EU, -US: STP120NF10 or HUF7554SP3
 - A151-JP: STP120NF10
 - A152-EU, -US: STP120NF10 or HUF7554SP3 or R1010E
 - A152-JP: STP120NF10 or HUF7554SP3
 - A153: STP120NF10 or HUF7554SP3 or R1010E
 - A154: STP120NF10 or HUF7554SP3 or R1010E

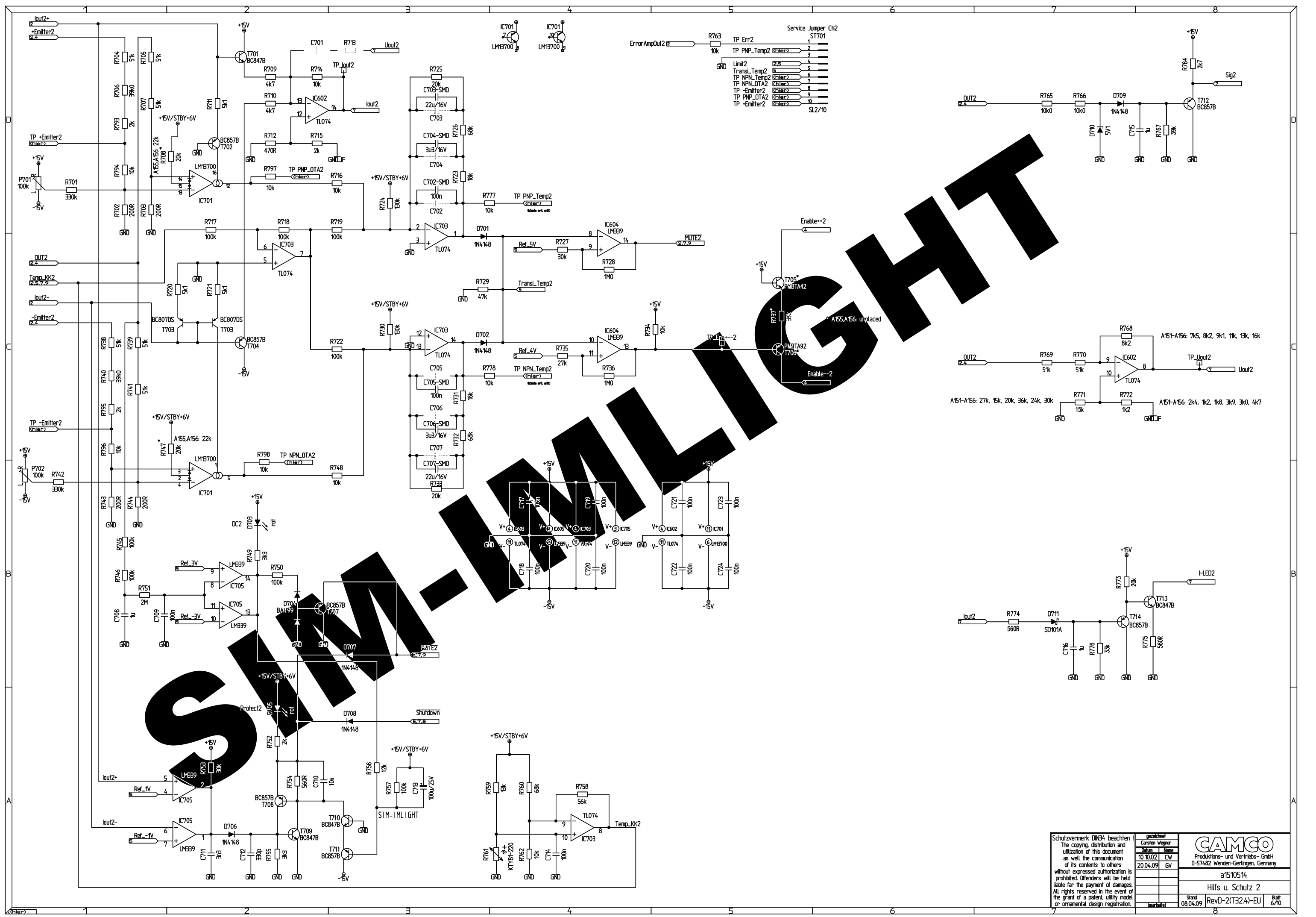
A155, A156: all parts of this page unplaced, 2 short placed

Schutzvermerk DIN94 beachten The copying, distribution and utilization of this document as well as the communication of its contents to others without expressed authorization is prohibited. Offenders will be held liable for the payment of damages. All rights reserved in the event of the grant of a patent, utility model or ornamental design registration.	gezeichnet Carsten Wegner	CAMCO Produktions- und Vertriebs-GmbH D-57482 Wenden-Gerlingen, Germany	a1510514 EmitterBusse 2		
	Datum 20.04.09			Name GV	
	Stand 08.04.09			RevD-2(T32.4)-EU	Blatt 4/70
	bearbeitet			8	



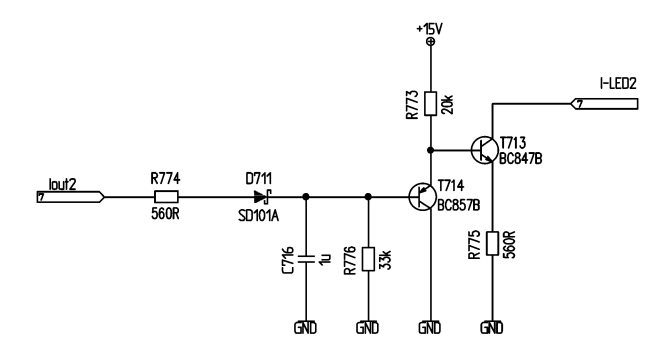
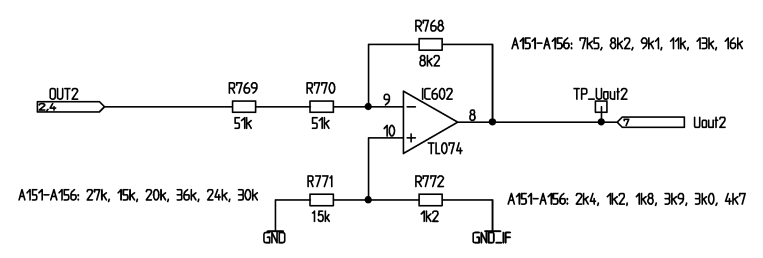
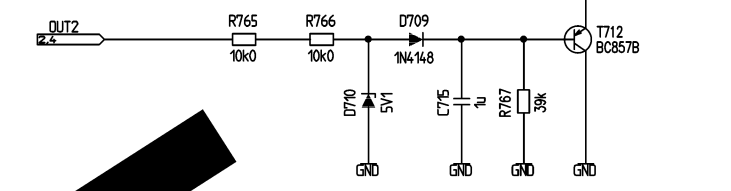
SIM-IMLIGHT

Schutzvermerk DIN34 beachten The copying, distribution and utilization of this document as well as the communication of its contents to others without expressed authorization is prohibited. Offenders will be held liable for the payment of damages. All rights reserved in the event of the grant of a patent, utility model or ornamental design registration.	gezeichnet Carsten Wegner	 Produktions- und Vertriebs-GmbH D-57482 Wenden-Gerlingen, Germany a1510514 Hilfs u. Schutz 1
	Datum 20.04.09	
Stand 08.04.09	RevD-2(T32.4)-EU	Blatt 5/0

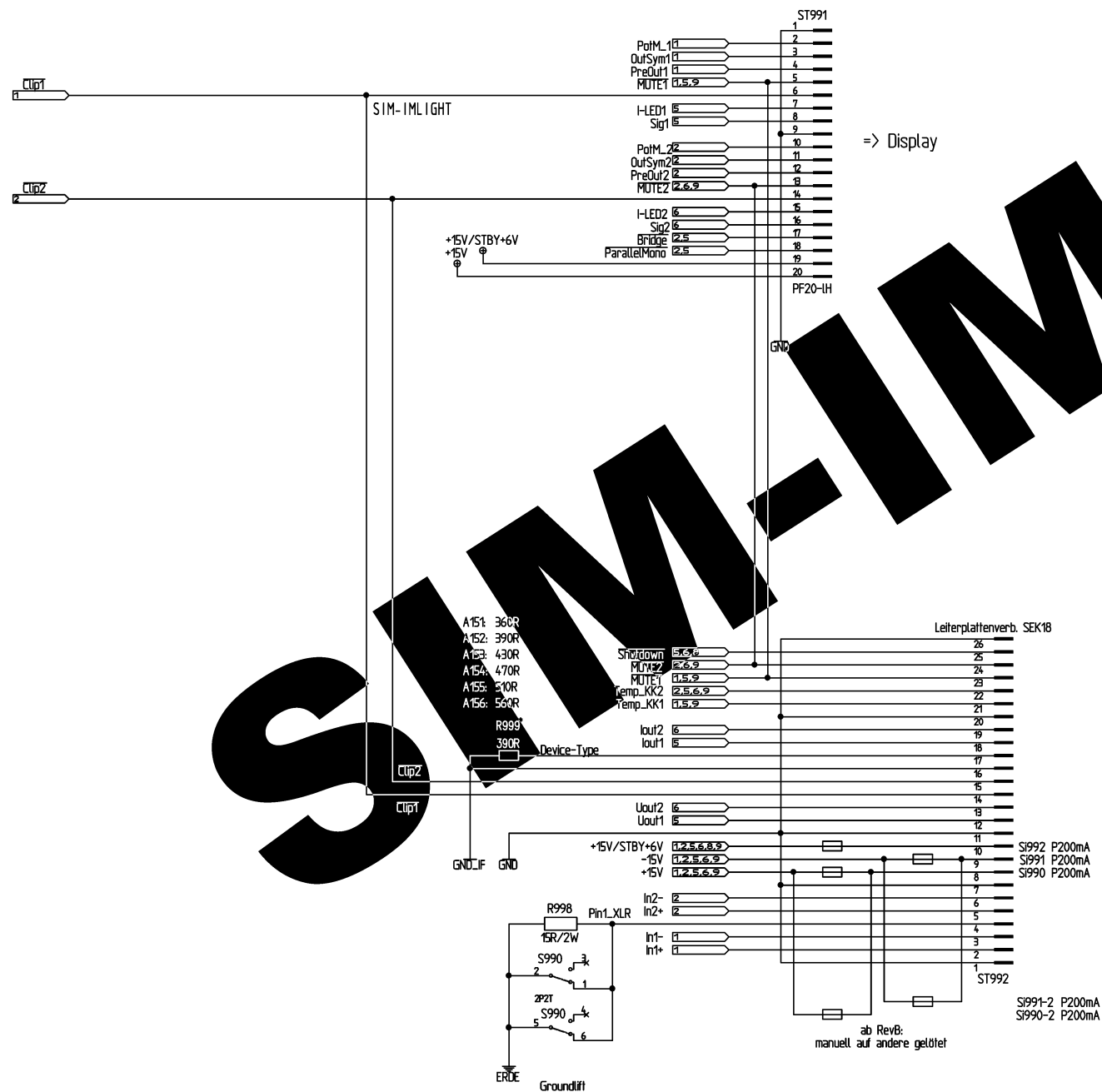
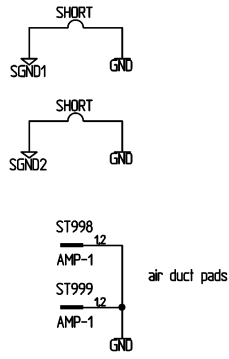


Service Jumper Ch2

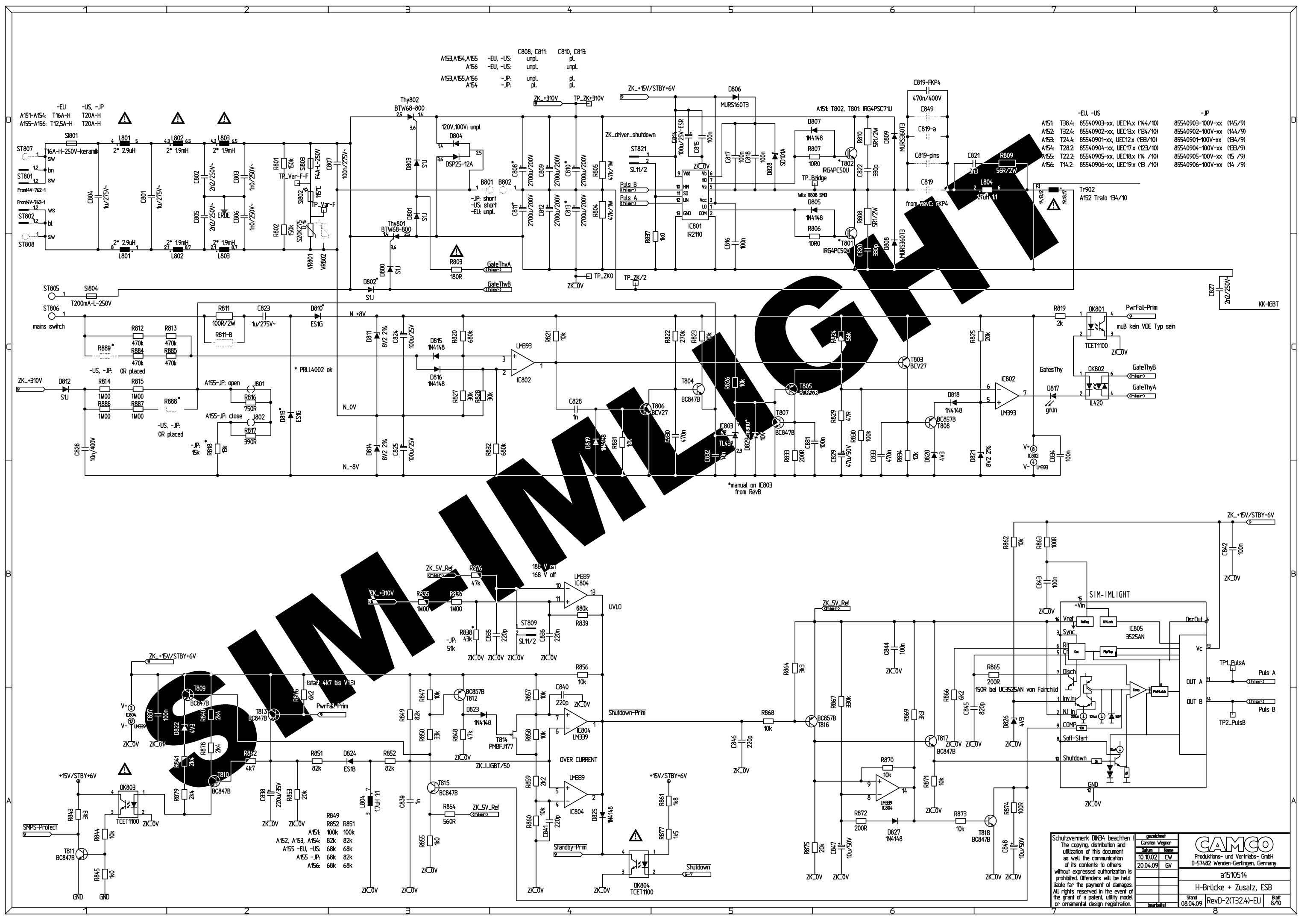
1	ST701
2	TP Err2
3	TP PNP_Temp2 (Euler)
4	
5	Limit2
6	Trans_Temp2
7	TP NPN_Temp2 (Euler)
8	TP NPN_OTA2 (Euler)
9	TP PNP_OTA2 (Euler)
10	TP +Emitter2 (Euler)
SL2/10	



Schutzvermerk DIN34 beachten The copying, distribution and utilization of this document as well as the communication of its contents to others without expressed authorization is prohibited. Offenders will be held liable for the payment of damages. All rights reserved in the event of the grant of a patent, utility model or ornamental design registration.	gezeichnet	CAMCO Produktions- und Vertriebs-GmbH D-57482 Wenden-Gerlins, Germany a1510514 Hilfs u. Schutz 2
	Gezeichnet	
	Datum	
	Name	
20.04.09	CW	
Stand	08.04.09	RevD-2(T32.4)-EU
bearbeitet		Blatt 6/70



Schutzvermerk DIN84 beachten! The copying, distribution and utilization of this document as well as the communication of its contents to others without expressed authorization is prohibited. Offenders will be held liable for the payment of damages. All rights reserved in the event of the grant of a patent, utility model or ornamental design registration.	gezeichnet		
	Carsten Wegner	Produktions- und Vertriebs- GmbH	
	Datum	Name	D-57482 Wenden-Gerlingen, Germany
	20.04.09	GV	
		a1510514	
		DisplayCon / EUJ	
	Stand	RevD-2(T32.4)-EU	Blatt
	08.04.09		7/70



A153, A154, A155 -EU, -US: unpl.
 A156 -EU, -US: unpl.
 A153, A155, A156 -JP: unpl.
 A154 -JP: unpl.

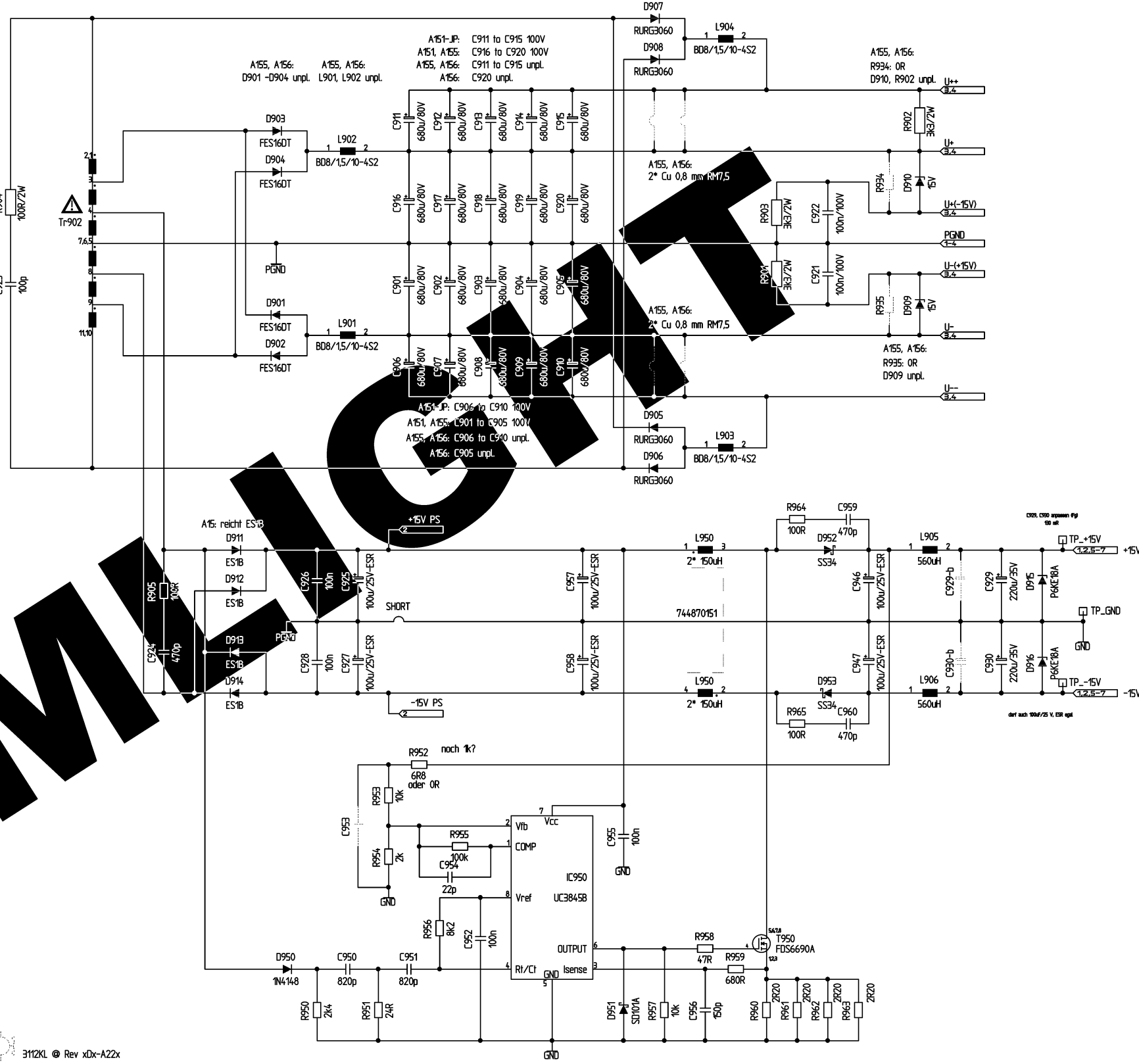
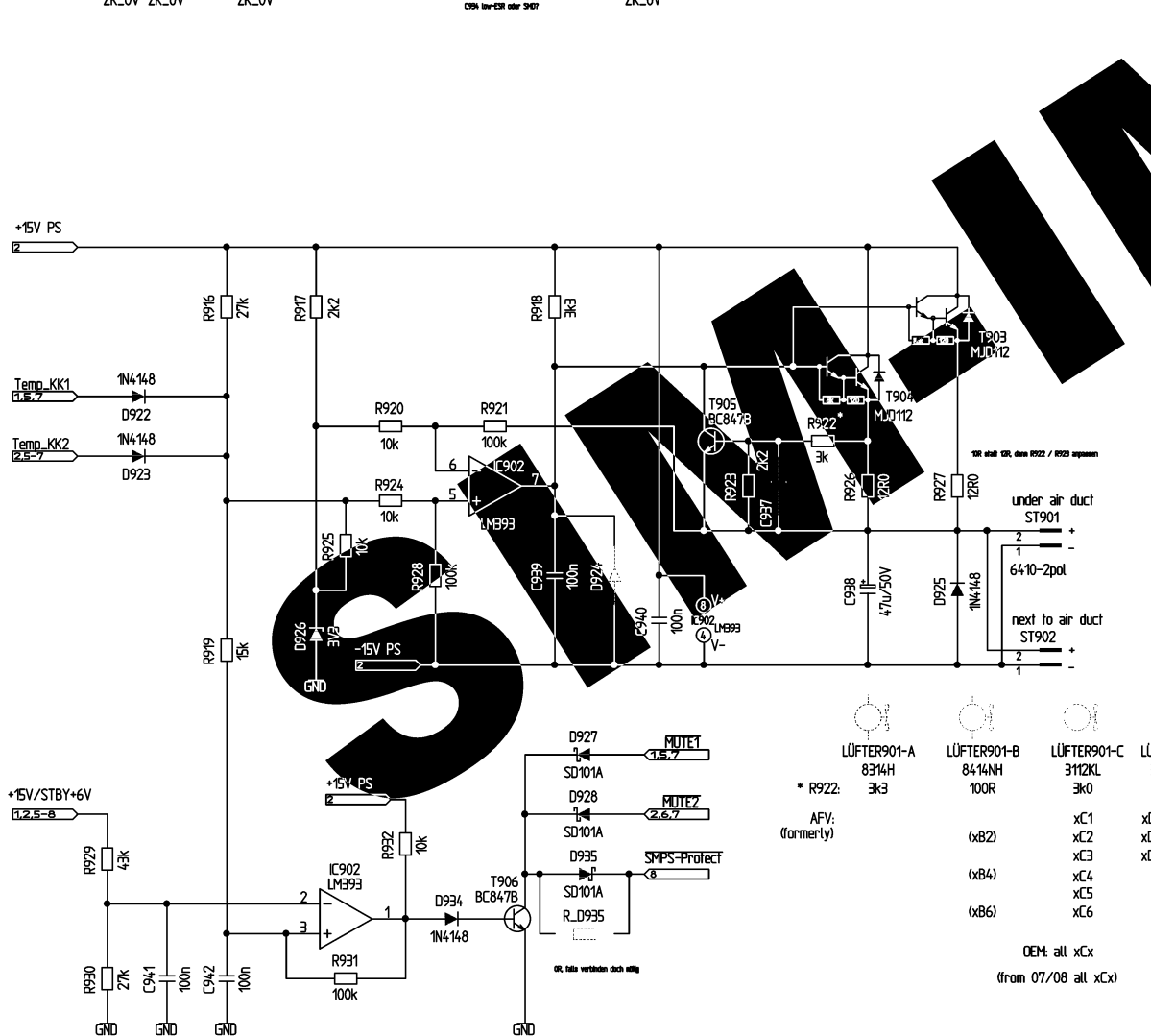
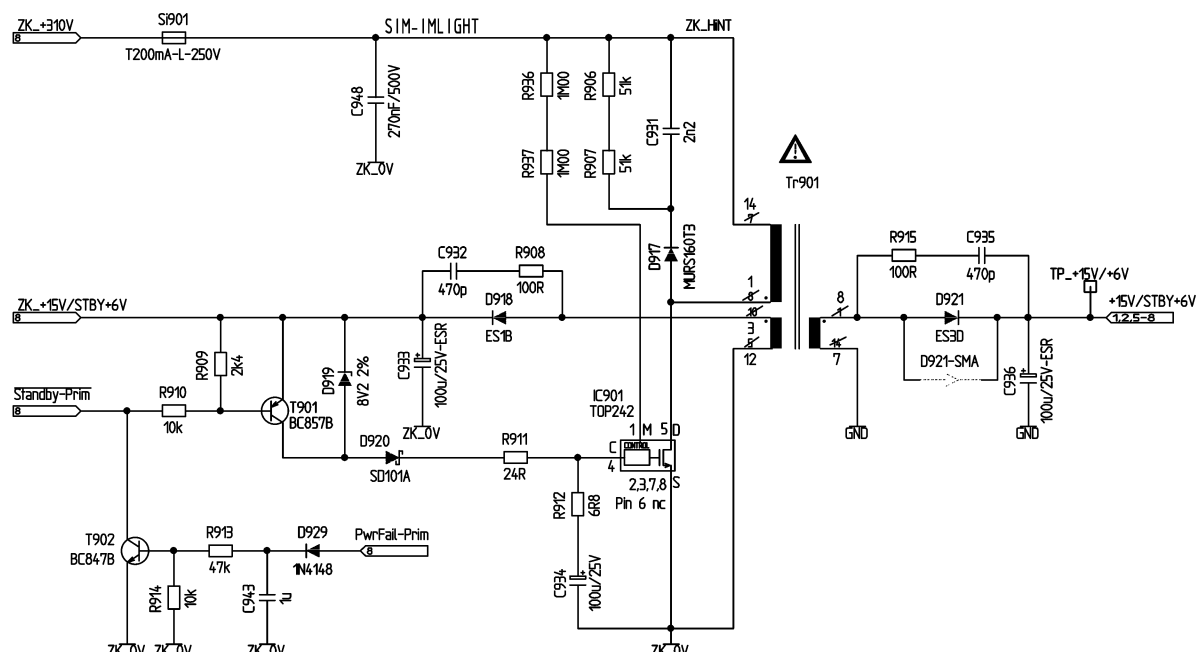
C808, C811 C810, C813
 unpl. pl.
 unpl. pl.

-EU, -US
 A151: T38.4: 85540903-100V-xx (144/10)
 A152: T32.4: 85540902-100V-xx (144/9)
 A153: T24.4: 85540901-100V-xx (134/10)
 A154: T28.2: 85540904-xx, UEC17.x (123/10)
 A155: T22.2: 85540905-xx, UEC18.x (14 /10)
 A156: T14.2: 85540906-xx, UEC19.x (13 /10)

-JP
 85540903-100V-xx (145/9)
 85540902-100V-xx (144/9)
 85540901-100V-xx (134/9)
 85540904-100V-xx (133/9)
 85540905-100V-xx (15 /9)
 85540906-100V-xx (14 /9)

*manual on IC803 from RevB

Schutzvermerk DIN84 beachten		gezeichnet		CAMCO	
The copying, distribution and utilization of this document as well as the communication of its contents to others without expressed authorization is prohibited. Offenders will be held liable for the payment of damages. All rights reserved in the event of the grant of a patent, utility model or ornamental design registration.		Carsten Wegner		Produktions- und Vertriebs- GmbH D-57482 Wenden-Gertlingen, Germany	
		10.10.02		a1510514	
		20.04.09		H-Brücke + Zusatz, ESB	
		08.04.09		RevD-2(T32.4)-EU	
		8/70			



- 3112KL @ Rev xDx-A22x
- LÜFTER902
- 80x32
- LÜFTER901-A: 8314H 3x3
- LÜFTER901-B: 8414NH 100R
- LÜFTER901-C: 3112KL 3x0
- LÜFTER901-D: 3112KL 10k
- * R922: (formerly)
- AFV: (formerly)
- x1: xC1
- x2: xC2
- x3: xC3
- x4: xC4
- x5: xC5
- x6: xC6
- DEM: all xCx (from 07/08 all xCx)

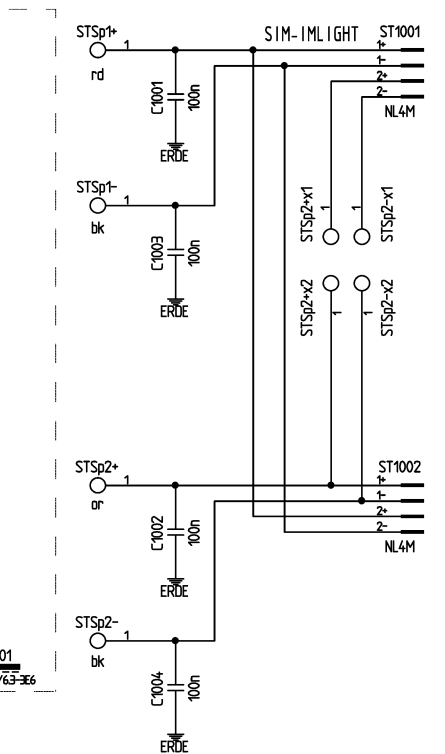
Schutzvermerk DIN94 beachten The copying, distribution and utilization of this document as well as the communication of its contents to others without expressed authorization is prohibited. Offenders will be held liable for the payment of damages. All rights reserved in the event of the grant of a patent, utility model or ornamental design registration.	gezeichnet Carsten Wegner	CAMCO Produktions- und Vertriebs-GmbH D-57482 Wenden-Gerlingen, Germany a1510514 Haupt-NT sek., Hilfs-NT, Lüfter Stand 08.04.09 RevD-2(T32.4)-EU Blatt 9/70
	Datum 20.04.09	
Gezeichnet GV	Geprüft GV	

SIM-IMMLIGHT

L1003
TX16/96/63-3E6

L1002
TX16/96/63-3E6

L1001
TX16/96/63-3E6



Schutzvermerk DIN94 beachten! The copying, distribution and utilization of this document as well as the communication of its contents to others without expressed authorization is prohibited. Offenders will be held liable for the payment of damages. All rights reserved in the event of the grant of a patent, utility model or ornamental design registration.	gezeichnet		
	Carsten Wegner	Produktions- und Vertriebs- GmbH	
	Datum	Name	D-57482 Wenden-Gerlingen, Germany
	20.04.09	GV	a1510514
		Stand	RevD-2(T32.4)-EU
	bearbeitet	08.04.09	Blatt 10/70

D-POWER-2 = Tecton-24.4
D-POWER-3 = Tecton-32.4
D-POWER-4 = Tecton-38.4
D-POWER-7 = Vortex-6