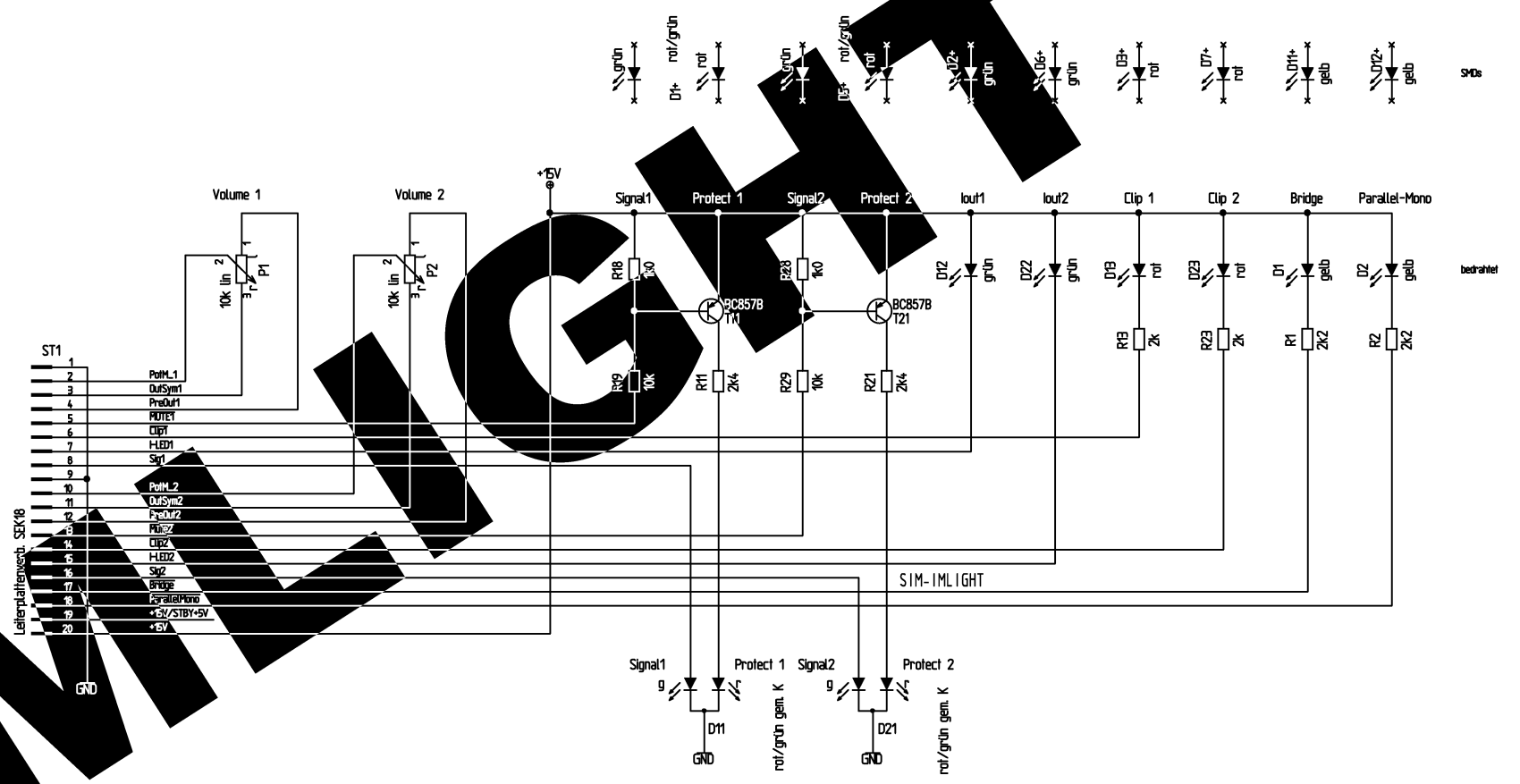


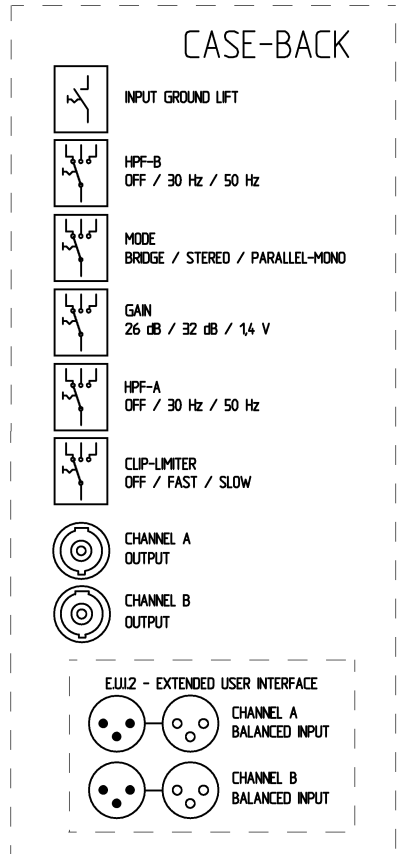
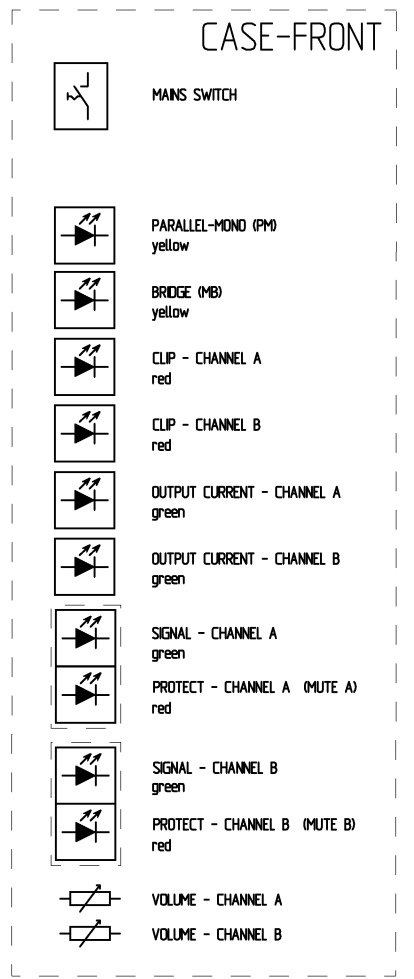
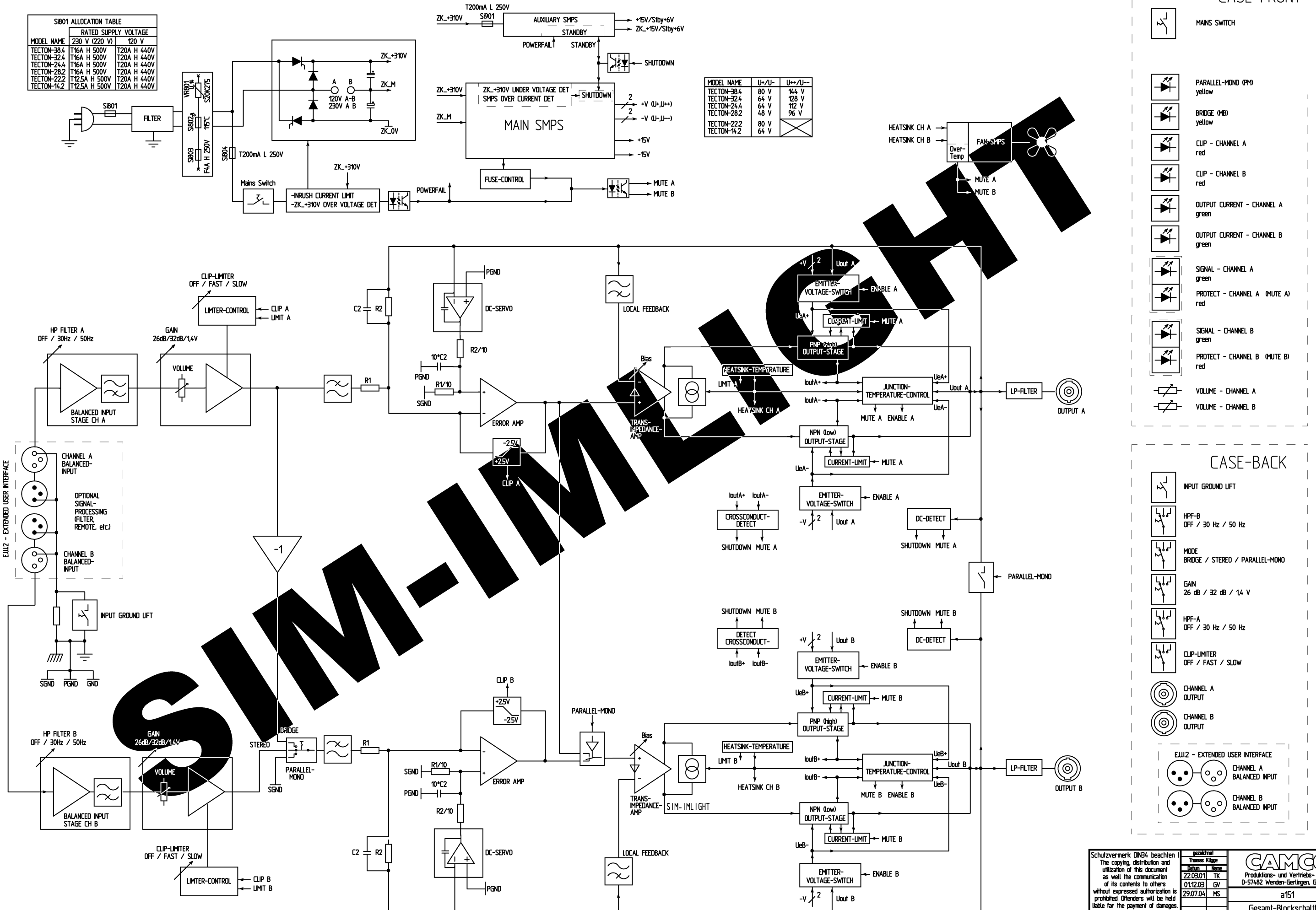
SIM-IML LIGHT



Schutzvermerk DIN84 beachten! The copying, distribution and utilization of this document as well as the communication of its contents to others without expressed authorization is prohibited. Offenders will be held liable for the payment of damages. All rights reserved in the event of the grant of a patent, utility model or ornamental design registration.	gezeichnet	CAMCO Produktions- und Vertriebs-GmbH D-57482 Wenden-Gertlingen, Germany
	Carsten Wegner	
	14.10.02 CW	
	28.08.03 GV	
	Stand	a1519011
	30.06.03	Display
	Rev A	Blatt
		1/1

SIB01 ALLOCATION TABLE		
MODEL NAME	RATED SUPPLY VOLTAGE	
	230 V (220 V)	120 V
TECTON-38.4	T16A H 500V	T20A H 440V
TECTON-32.4	T16A H 500V	T20A H 440V
TECTON-24.4	T16A H 500V	T20A H 440V
TECTON-28.2	T16A H 500V	T20A H 440V
TECTON-22.2	T12.5A H 500V	T20A H 440V
TECTON-14.2	T12.5A H 500V	T20A H 440V

MODEL NAME	U+/U-	U++/U--
TECTON-38.4	80 V	144 V
TECTON-32.4	64 V	128 V
TECTON-24.4	64 V	112 V
TECTON-28.2	48 V	96 V
TECTON-22.2	80 V	
TECTON-14.2	64 V	



Schutzvermerk DIN84 beachten!
The copying, distribution and utilization of this document as well as the communication of its contents to others without expressed authorization is prohibited. Offenders will be held liable for the payment of damages. All rights reserved in the event of the grant of a patent, utility model or ornamental design registration.

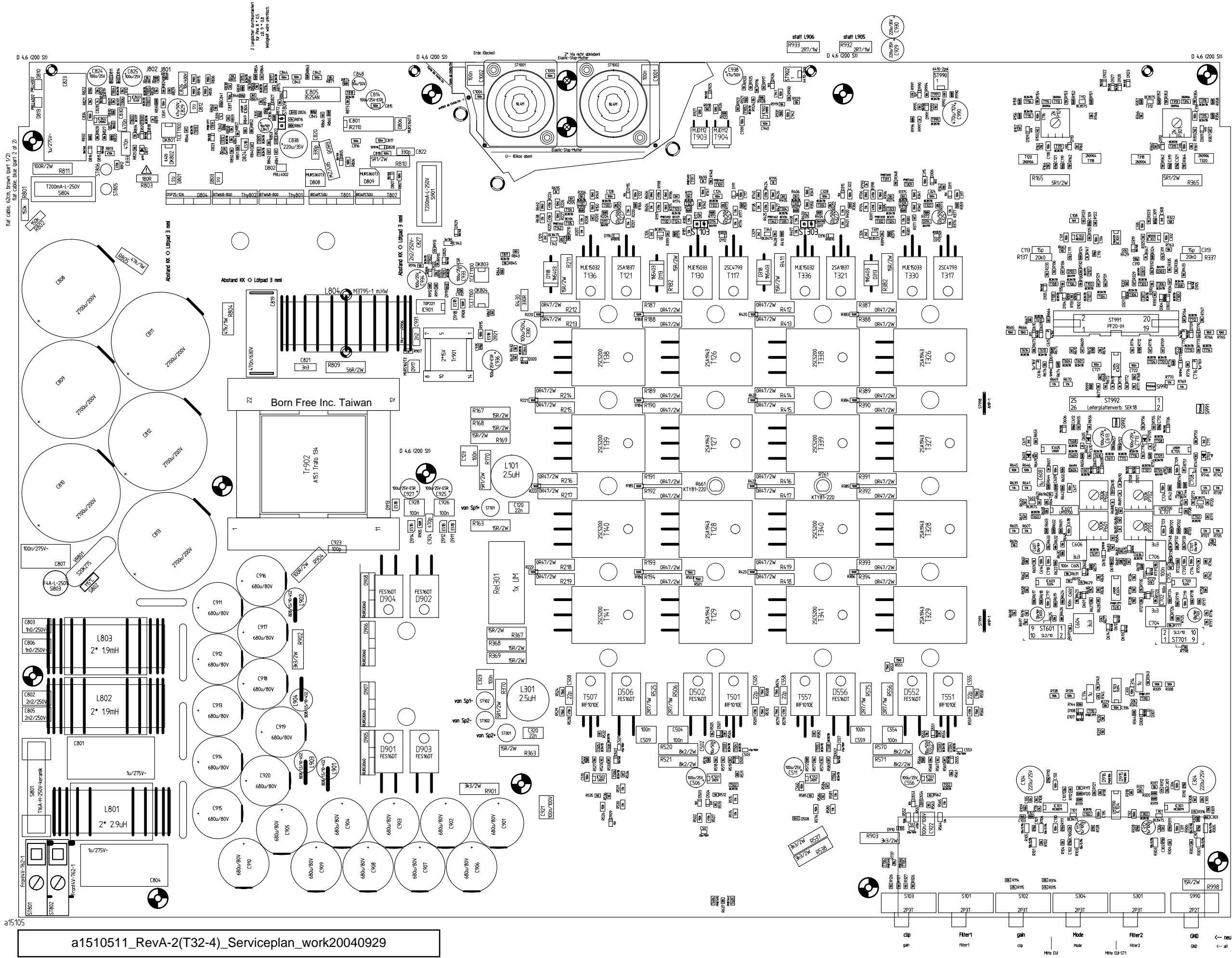
gezeichnet	Thomas Kluge
gezeichnet	Thomas Kluge
22.03.01	TK
01.12.03	GV
29.07.04	MS

CAMCO
Produktions- und Vertriebs-GmbH
D-57482 Wenden-Gertlingen, Germany

a151

Gesamt-Blockschaltbild

Stand 28.07.04 alle Varianten Blatt 11/11

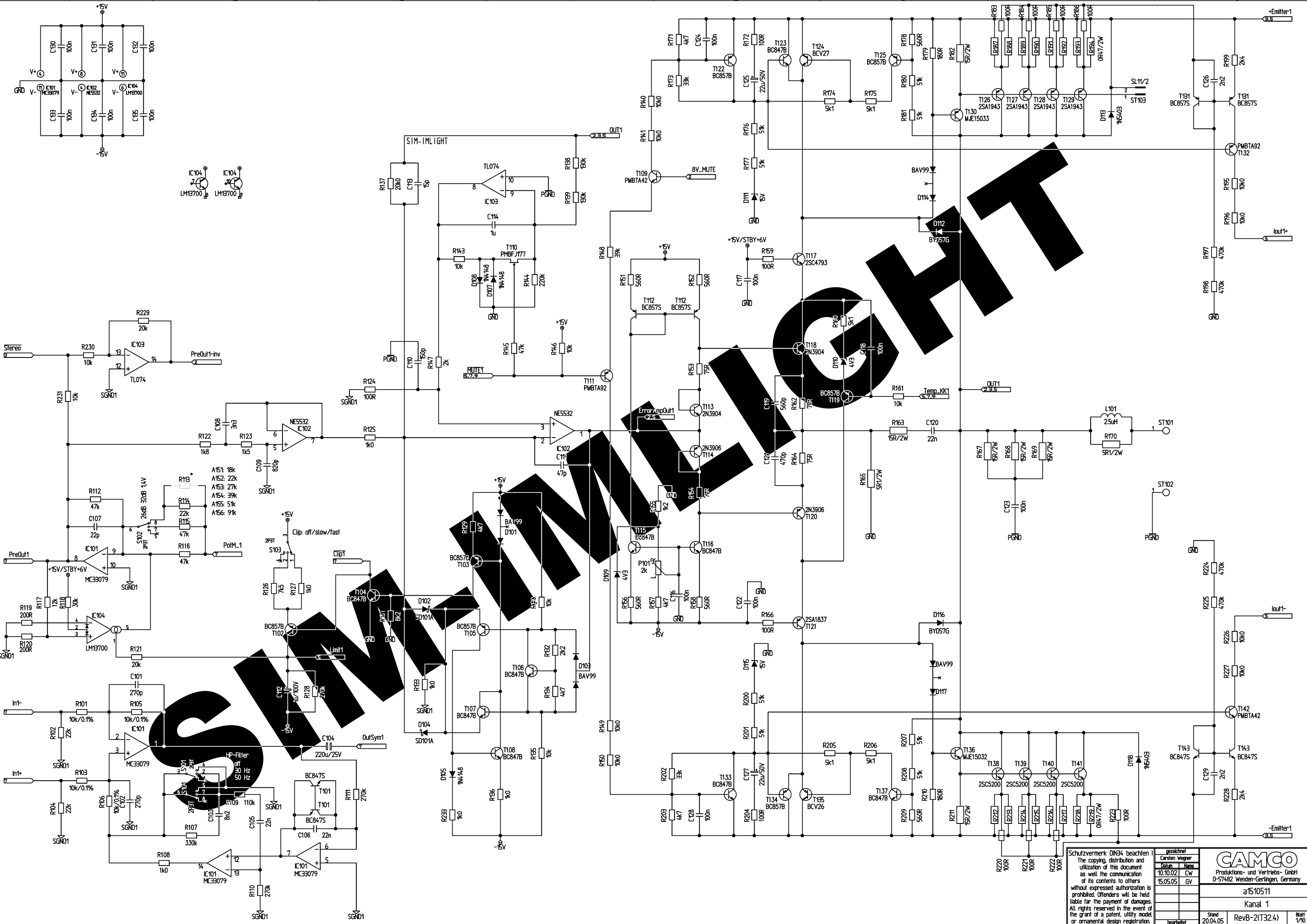


a1510511_RevA-2(T32-4)_Serviceplan_work20040929

Schutzvermerk DIN34 beachten!
 The copying, distribution and utilization of this document as well as the communication of its contents to others without expressed authorization is prohibited. Offenders will be held liable for the payment of damages. All rights reserved in the event of the grant of a patent, utility model or ornamental design registration.

Fachbereich 26 pol
 Signalführung 26 pol
 Federstele 26 pol





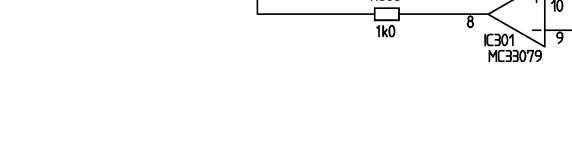
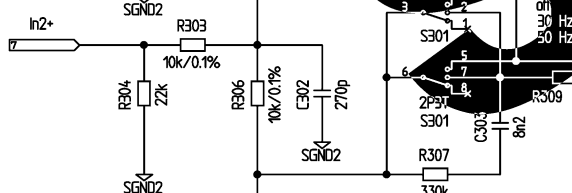
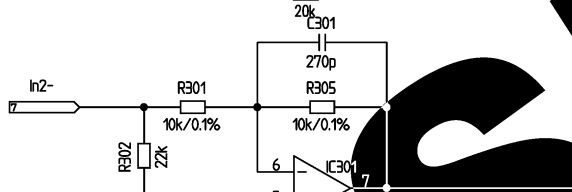
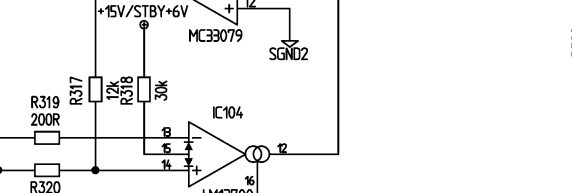
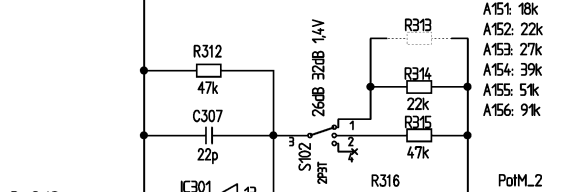
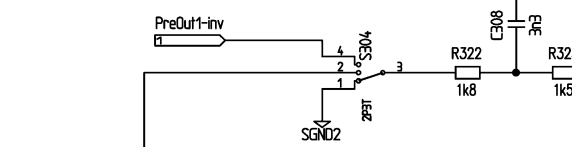
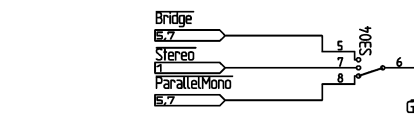
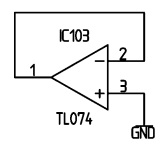
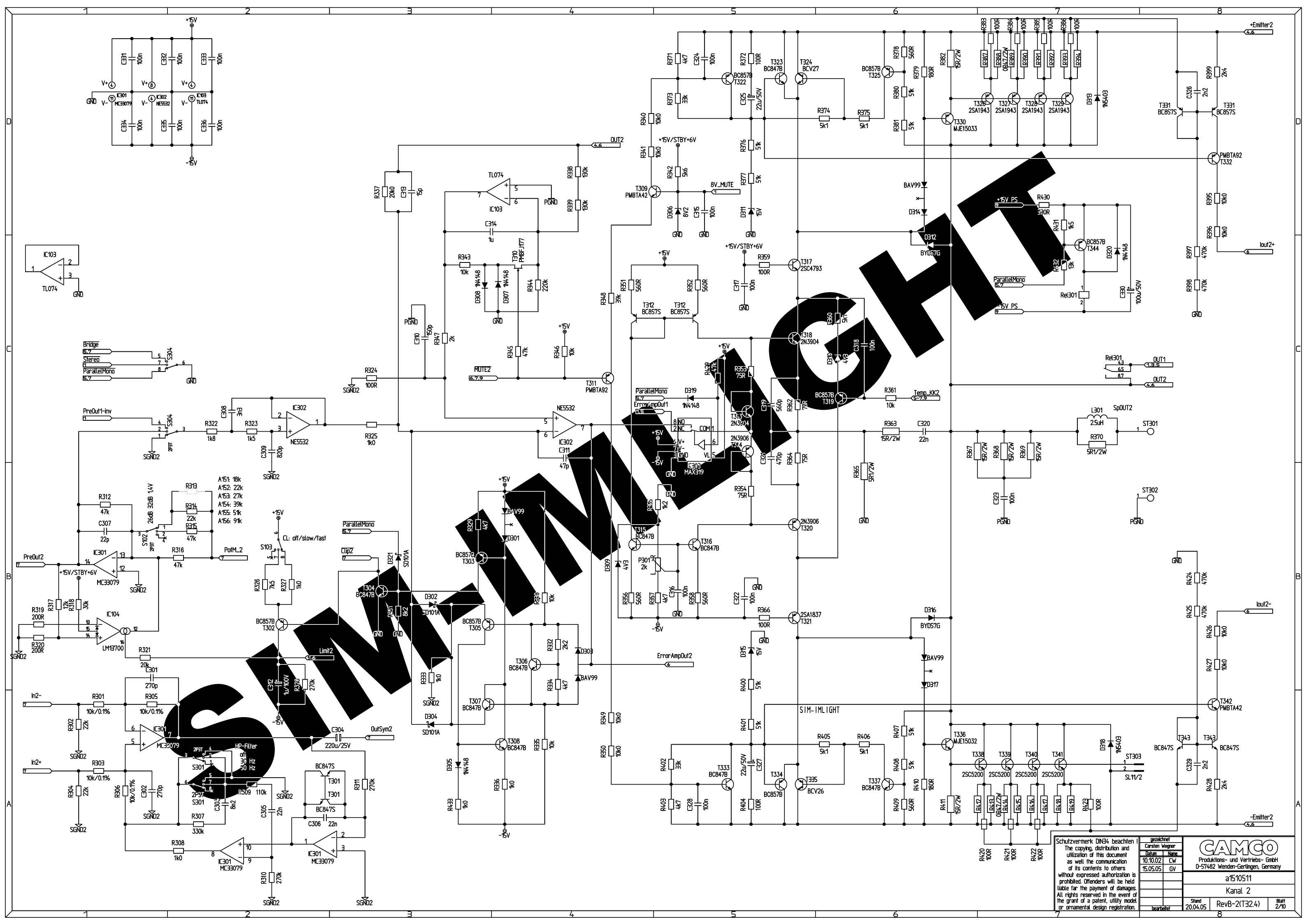
Schutzvermerk DIN34 beachten!
 The copying, distribution and utilization of this document as well as the communication of its contents to others without expressed authorization is prohibited. Offenders will be held liable for the payment of damages. All rights reserved in the event of the grant of a patent, utility model or ornamental design registration.

gezeichnet Carsten Wagner	gezeichnet CW
Datum 10.10.02	GV
15.05.05	

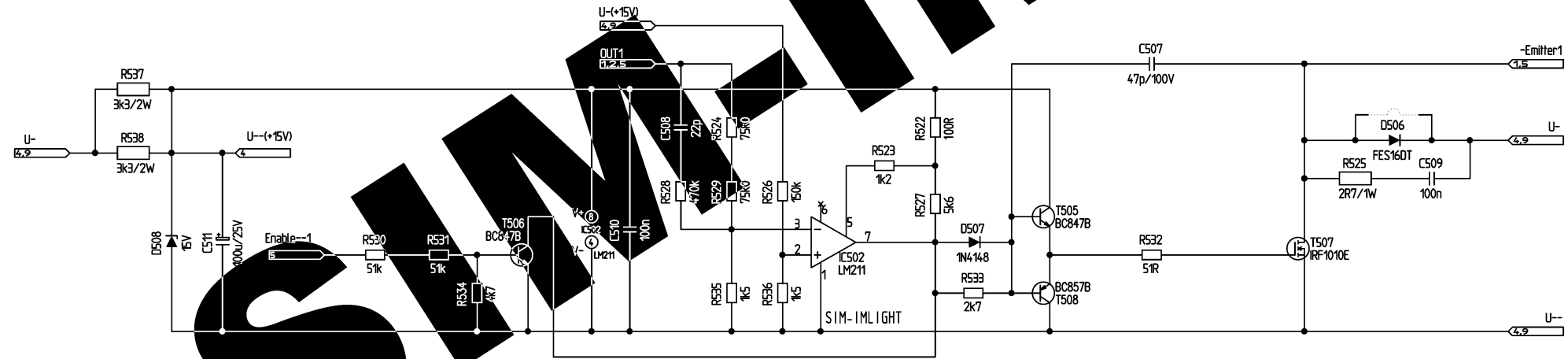
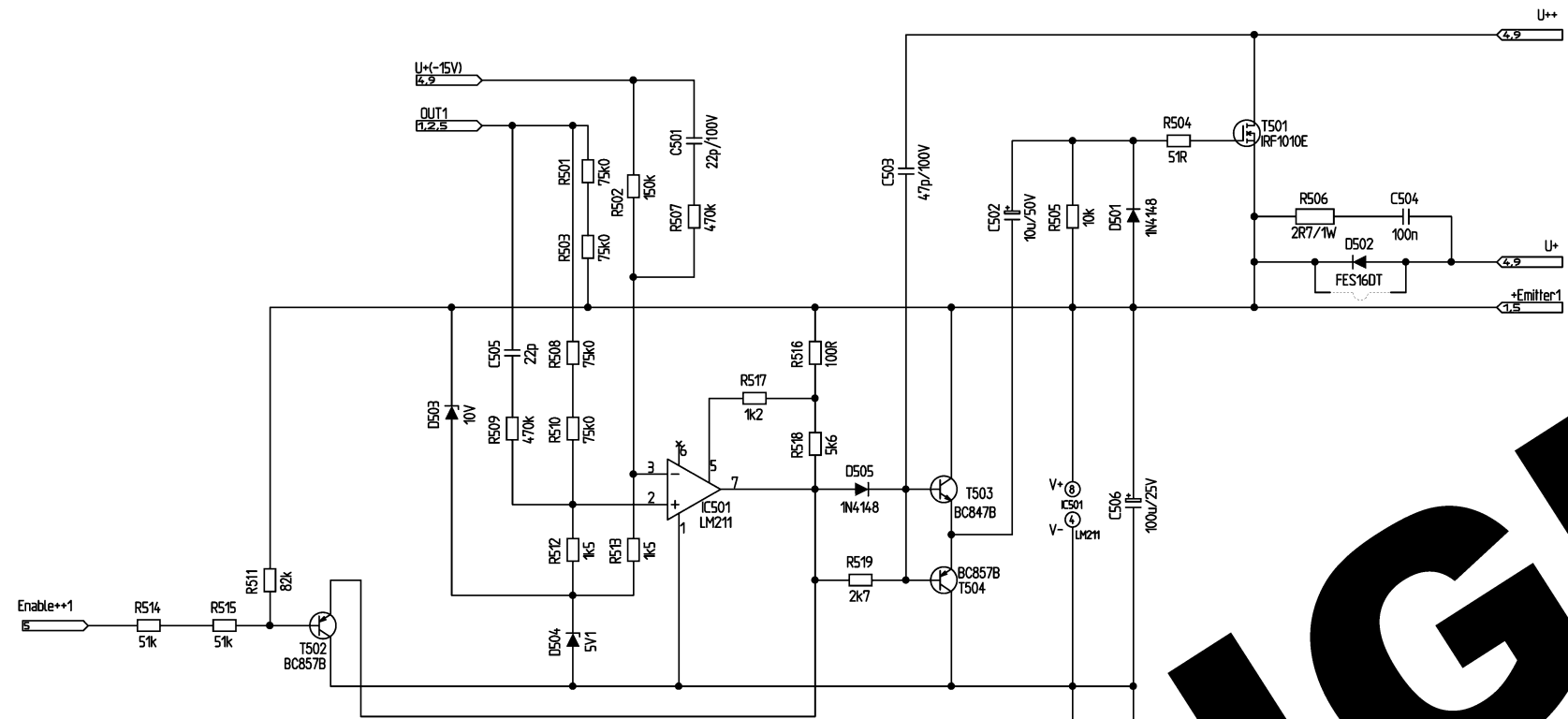
CAMCO
 Produktions- und Vertriebs-GmbH
 D-57482 Wenden-Gerlingen, Germany

a1510511
 Kanal 1

Stand 20.04.05	RevB-2(T32.4)	Blatt 1/10
-------------------	---------------	---------------




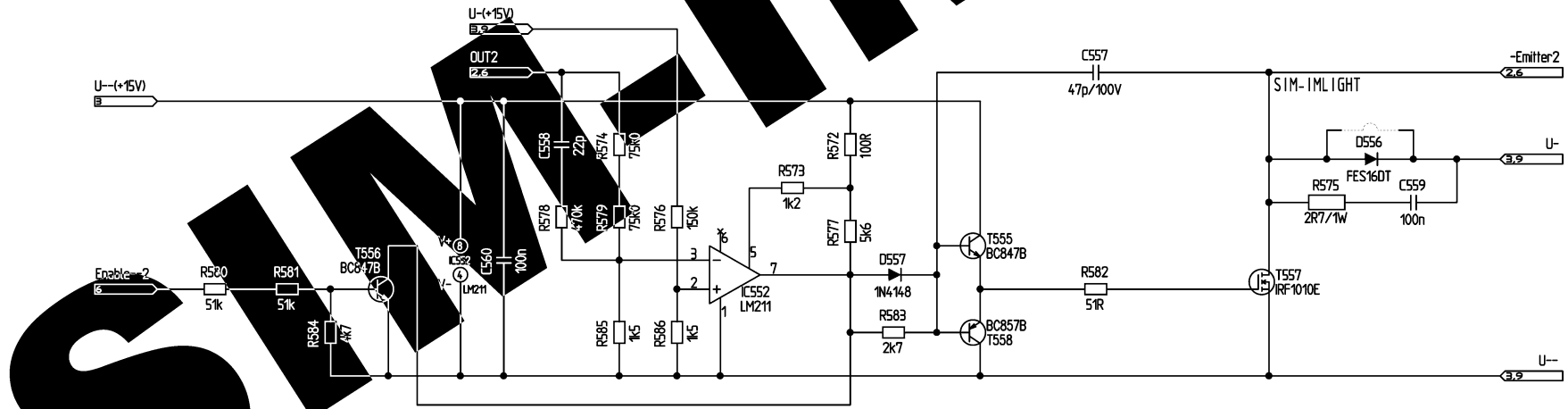
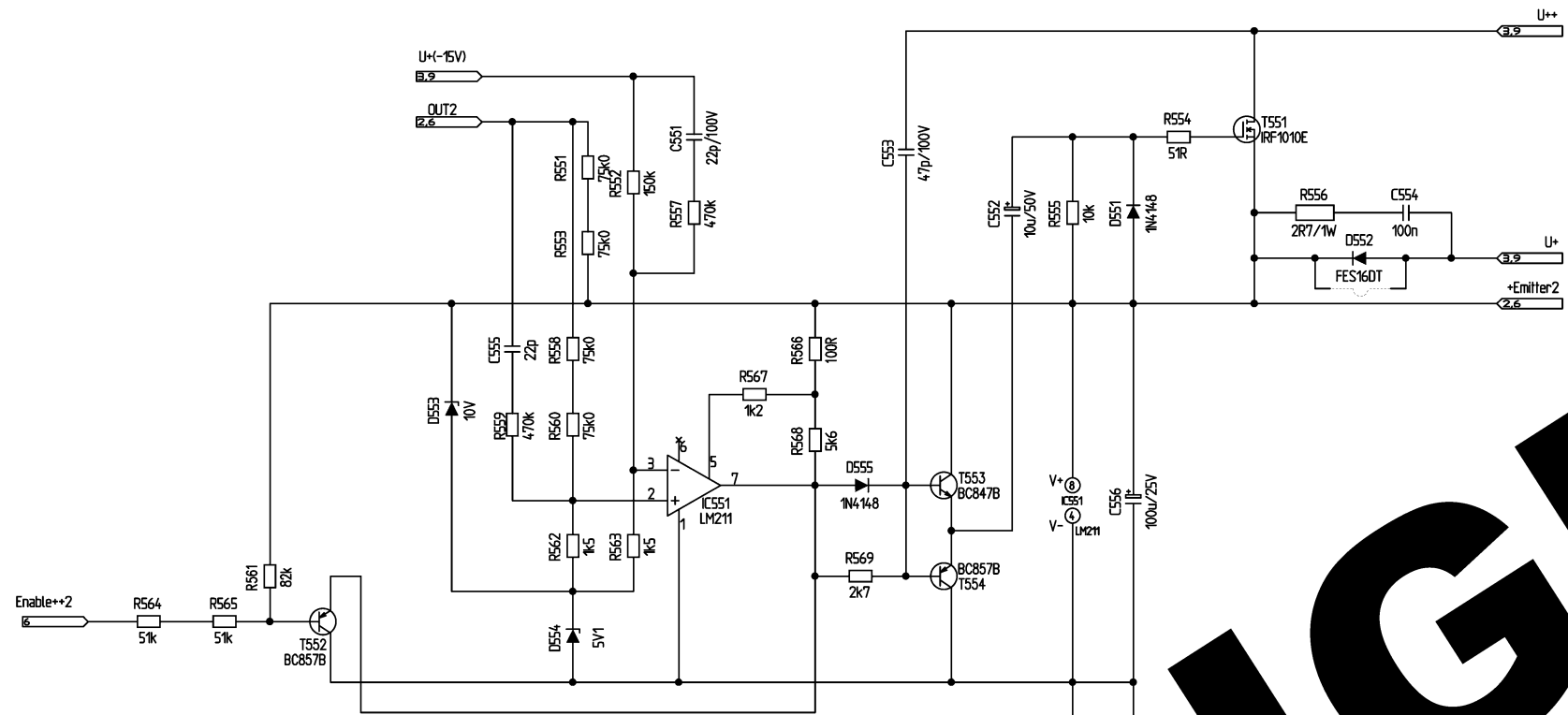
Schutzvermerk DIN34 beachten!		gezeichnet Carsten Wagner		Produktions- und Vertriebs- GmbH	
The copying, distribution and utilization of this document as well as the communication of its contents to others without expressed authorization is prohibited. Offenders will be held liable for the payment of damages. All rights reserved in the event of the grant of a patent, utility model or ornamental design registration.		Datum 10.10.02 15.05.05		D-57482 Wenden-Gertlingen, Germany	
		a1510511		Kanal 2	
		Stand 20.04.05		RevB-2(T32.4)	
		Blatt 2/10			



SIM-IMMLIGHT

A155, A156: all unplaced, 2 short placed

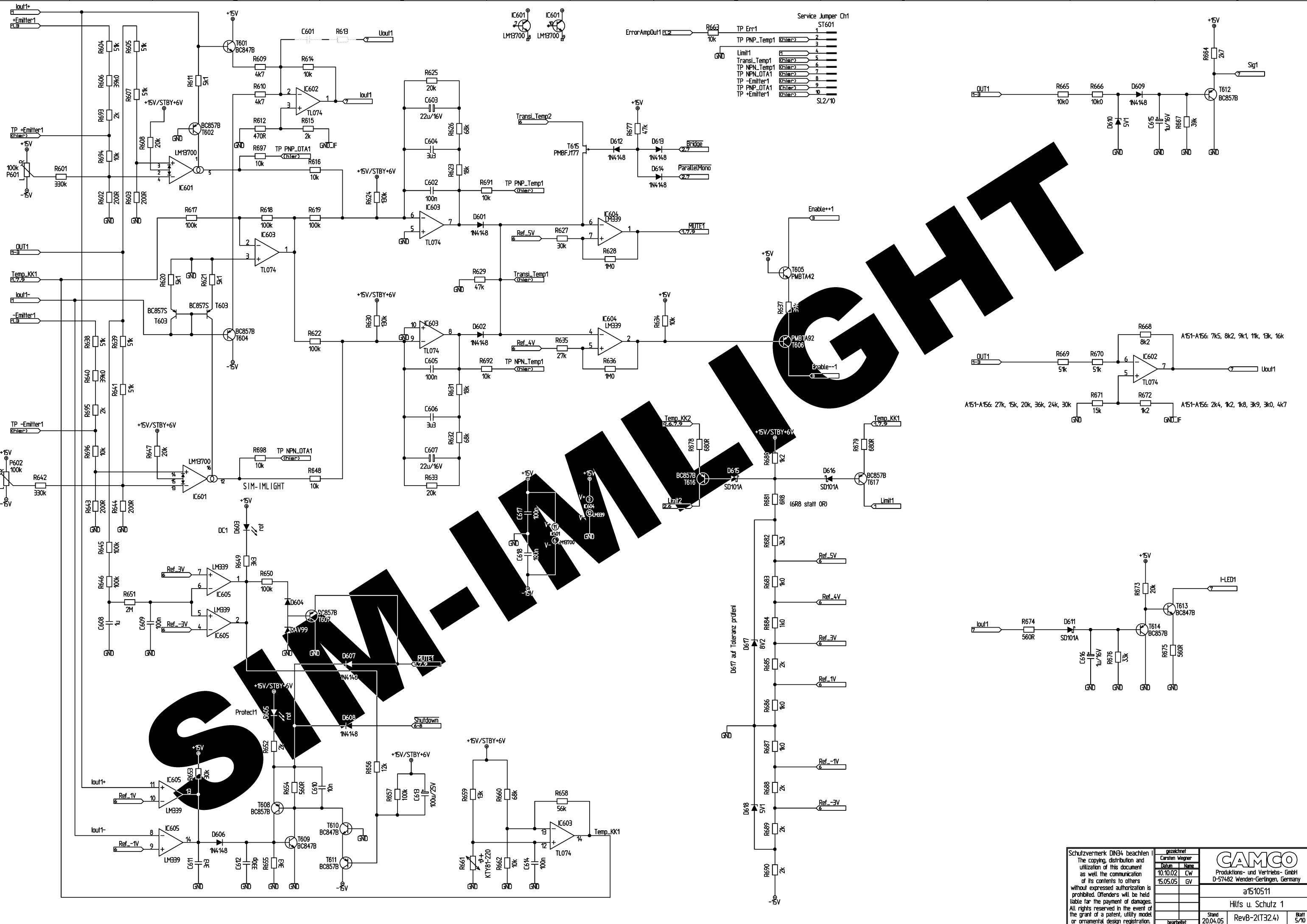
Schutzvermerk DIN34 beachten! The copying, distribution and utilization of this document as well as the communication of its contents to others without expressed authorization is prohibited. Offenders will be held liable for the payment of damages. All rights reserved in the event of the grant of a patent, utility model or ornamental design registration.		gezeichnet Carsten Wegner	 Produktions- und Vertriebs- GmbH D-57482 Wenden-Gerlingen, Germany	
Datum	10.10.02	Nr.		
bearbeitet	15.05.05	GV		a1510511
		EmitterBusse 1		
Stand	20.04.05	RevB-2(T32.4)		Blatt 3/10



A155, A156: all unplaced, 2 short placed

SIM-IMMLIGHT

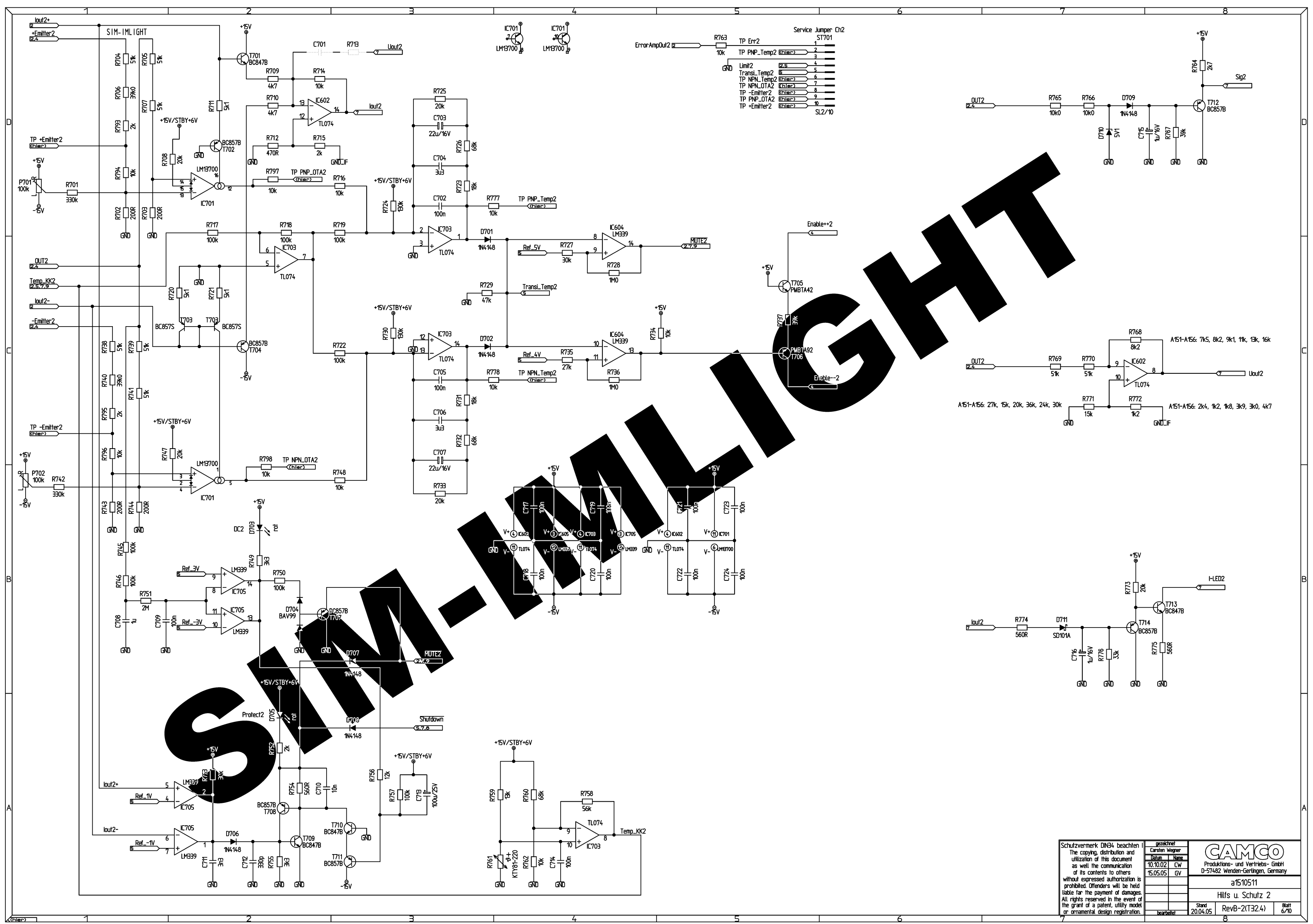
Schutzvermerk DIN34 beachten! The copying, distribution and utilization of this document as well as the communication of its contents to others without expressed authorization is prohibited. Offenders will be held liable for the payment of damages. All rights reserved in the event of the grant of a patent, utility model or ornamental design registration.		gezeichnet Carsten Wegner Datum 10.10.02 15.05.05 CW GV	 Produktions- und Vertriebs-GmbH D-57482 Wenden-Gerlingen, Germany a1510511 EmitterBusse 2	Stand 20.04.05	RevB-2(T32.4)	Blatt 4/10
bearbeitet						



Service Jumper Ch1

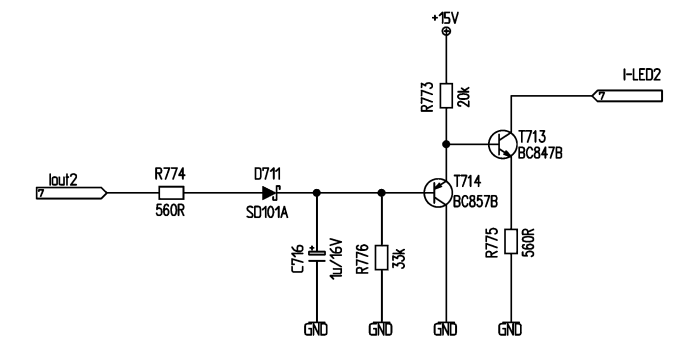
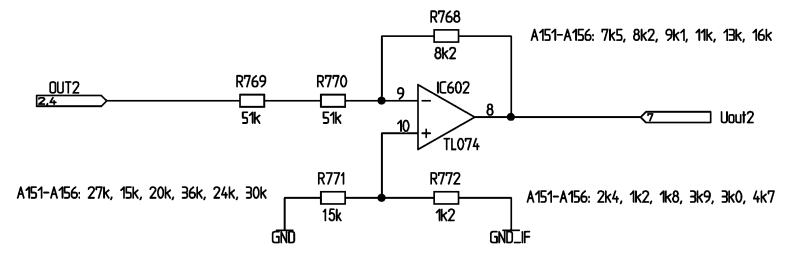
TP Err1	1
TP PNP_Temp1	2
Limit1	3
Transi_Temp1	4
TP NPN_Temp1	5
TP NPN_OTA1	6
TP -Emitter1	7
TP PNP_OTA1	8
TP +Emitter1	9
	10
	SL2/10

Schutzvermerk DIN34 beachten!	
The copying, distribution and utilization of this document as well as the communication of its contents to others without expressed authorization is prohibited. Offenders will be held liable for the payment of damages. All rights reserved in the event of the grant of a patent, utility model or ornamental design registration.	
gezeichnet	Carsten Wagner
Datum	10.10.02
Umsatz	CW
Geprüft	15.05.05
GV	
Produktions- und Vertriebs- GmbH D-57482 Wenden-Gerlingen, Germany	
a1510511	
Hilfs u. Schutz 1	
Stand	20.04.05
RevB-2(T32.4)	
Blatt	5/10



Service Jumper Ch2

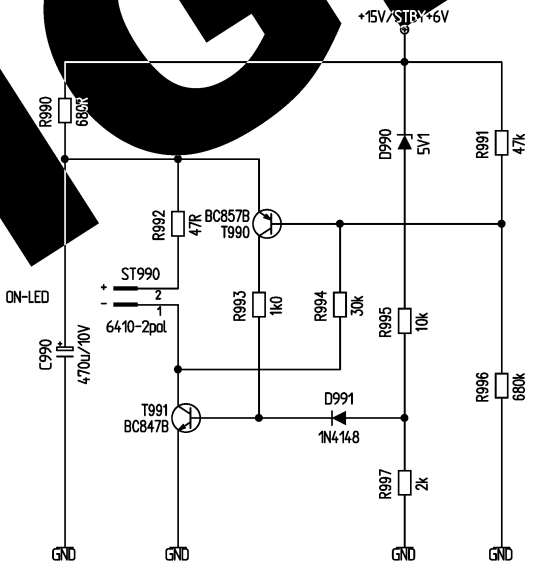
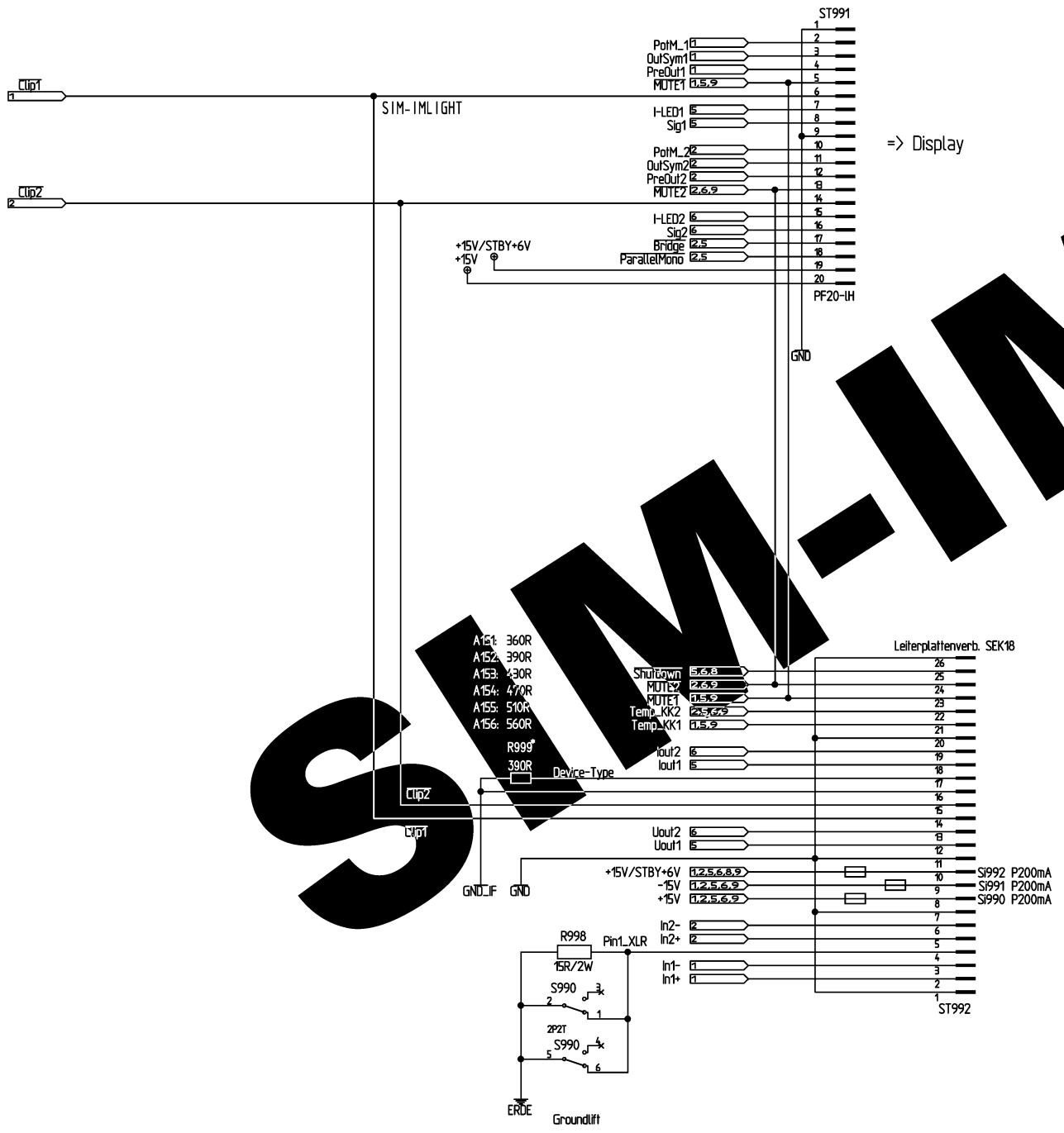
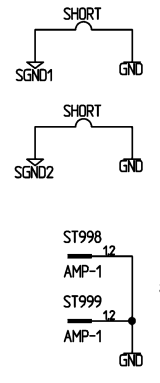
TP Err2	1	ST701
TP PNP_Temp2	2	
Limit2	3	
Transl_Temp2	4	
TP NPN_Temp2	5	
TP NPN_OTA2	6	
TP -Emitter2	7	
TP PNP_OTA2	8	
TP -Emitter2	9	
TP PNP_OTA2	10	
	SL2/10	



Schutzvermerk DIN34 beachten!
The copying, distribution and utilization of this document as well as the communication of its contents to others without expressed authorization is prohibited. Offenders will be held liable for the payment of damages. All rights reserved in the event of the grant of a patent, utility model or ornamental design registration.

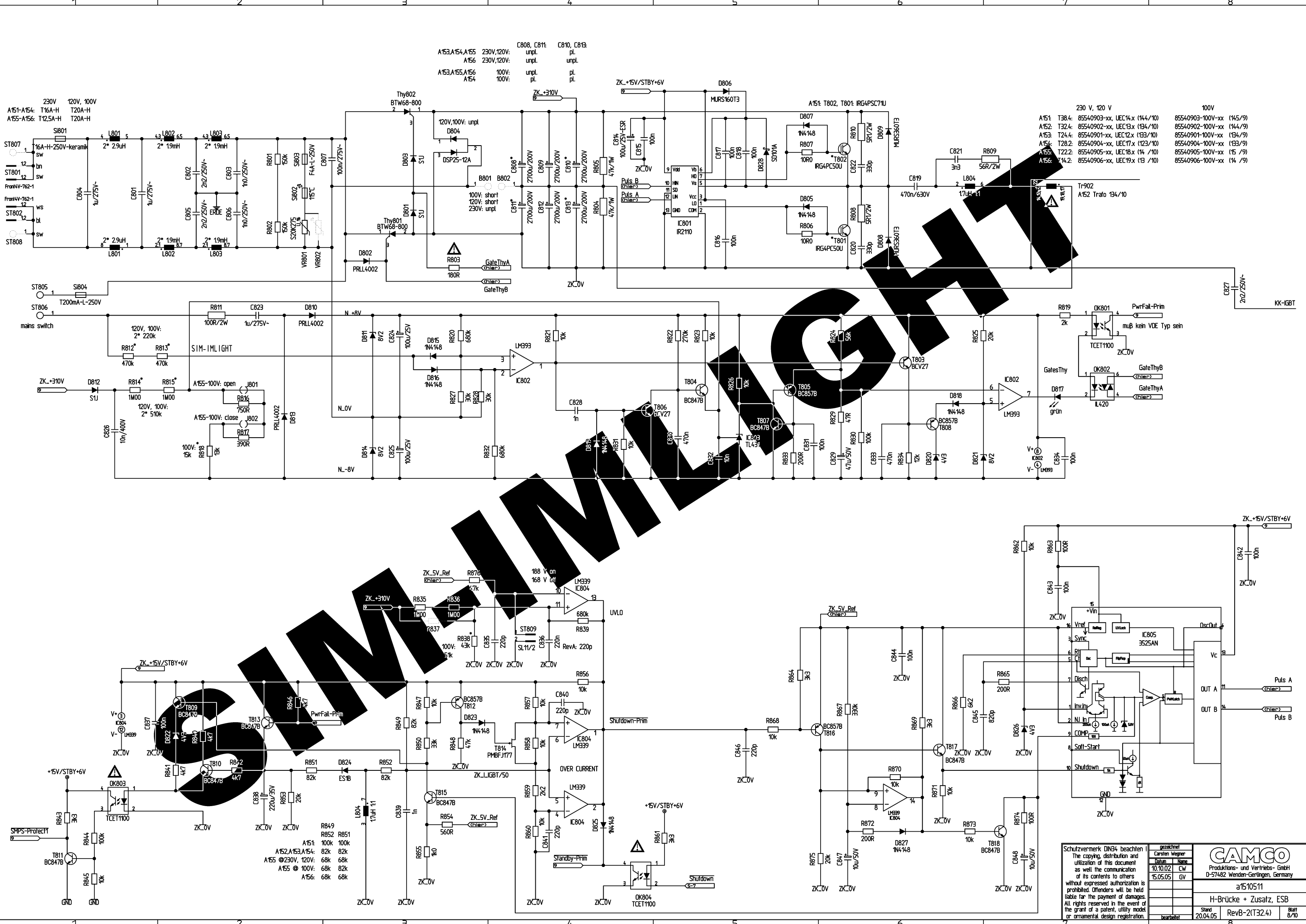
gezeichnet	Carsten Wegner
Datum	10.10.02
CV	CW
15.05.05	GV
bearbeitet	

CAMCO		
Produktions- und Vertriebs- GmbH		
D-57482 Wenden-Gerlingen, Germany		
a1510511		
Hilfs u. Schutz 2		
Stand	20.04.05	RevB-2(T32.4)
Blatt	6/10	



SIM-IMMLIGHT

Schutzvermerk DIN34 beachten! The copying, distribution and utilization of this document as well as the communication of its contents to others without expressed authorization is prohibited. Offenders will be held liable for the payment of damages. All rights reserved in the event of the grant of a patent, utility model or ornamental design registration.		gezeichnet Carsten Wegner Datum 10.10.02 15.05.05 CW GV	CAMCO Produktions- und Vertriebs-GmbH D-57482 Wenden-Gerlingen, Germany a1510511 DisplayCon / EUI
Stand 20.04.05	RevB-2(T32.4)	Blatt 7/10	



C808, C811 C810, C813
 A153, A154, A155 230V, 120V: unpl. pt. unpl.
 A156 230V, 120V: unpl. pt. unpl.
 A153, A155, A156 100V: unpl. pt. unpl.

230 V, 120 V
 A151: T38.4: 85540903-xx, UEC14.x (144/10)
 A152: T32.4: 85540902-xx, UEC13.x (134/10)
 A153: T24.4: 85540901-xx, UEC12.x (123/10)
 A154: T28.2: 85540904-xx, UEC17.x (123/10)
 A155: T22.2: 85540905-xx, UEC18.x (14 /10)
 A156: T14.2: 85540906-xx, UEC19.x (13 /10)

100V
 85540903-100V-xx (145/9)
 85540902-100V-xx (144/9)
 85540901-100V-xx (134/9)
 85540904-100V-xx (133/9)
 85540905-100V-xx (15 /9)
 85540906-100V-xx (14 /9)

SIMULINK

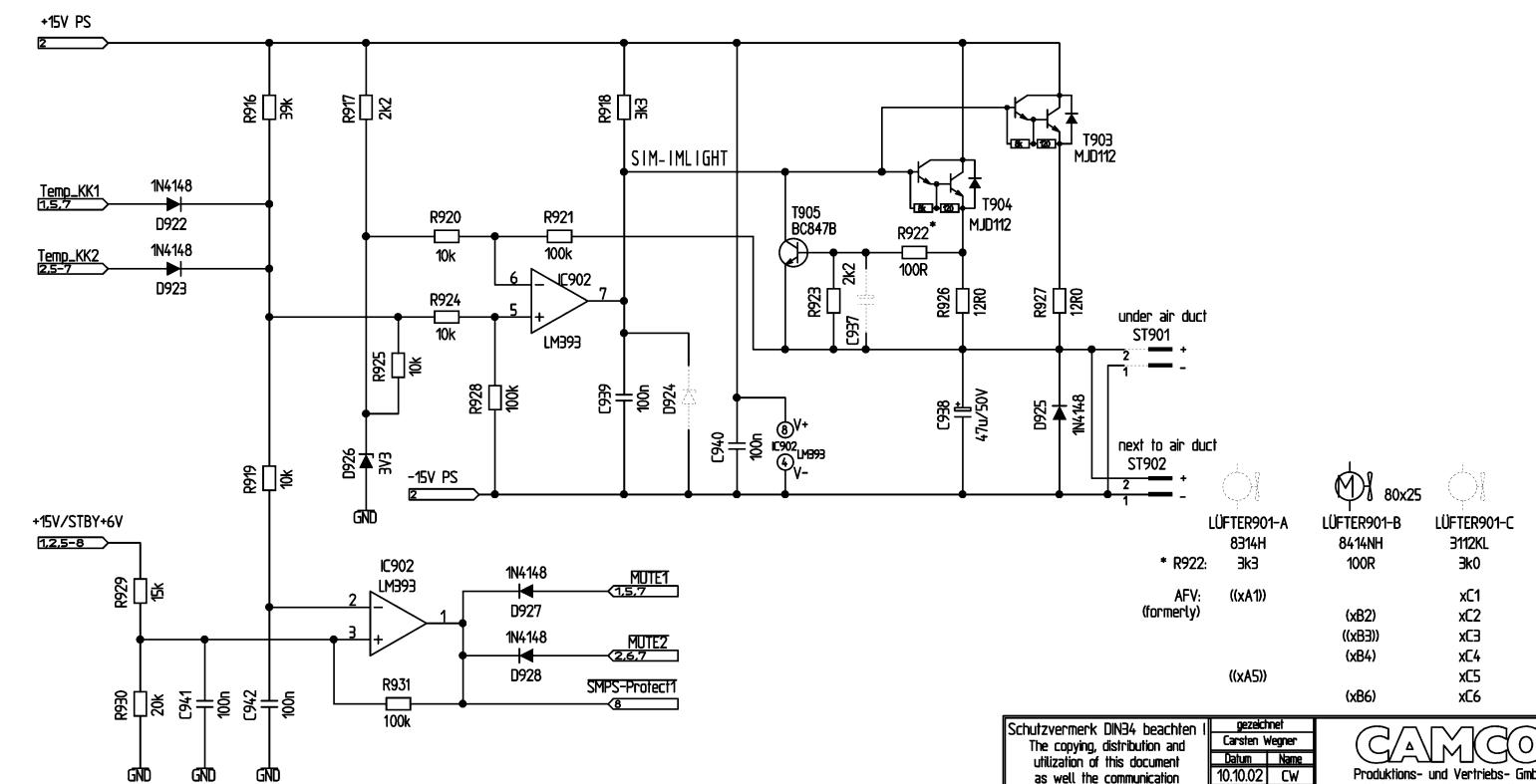
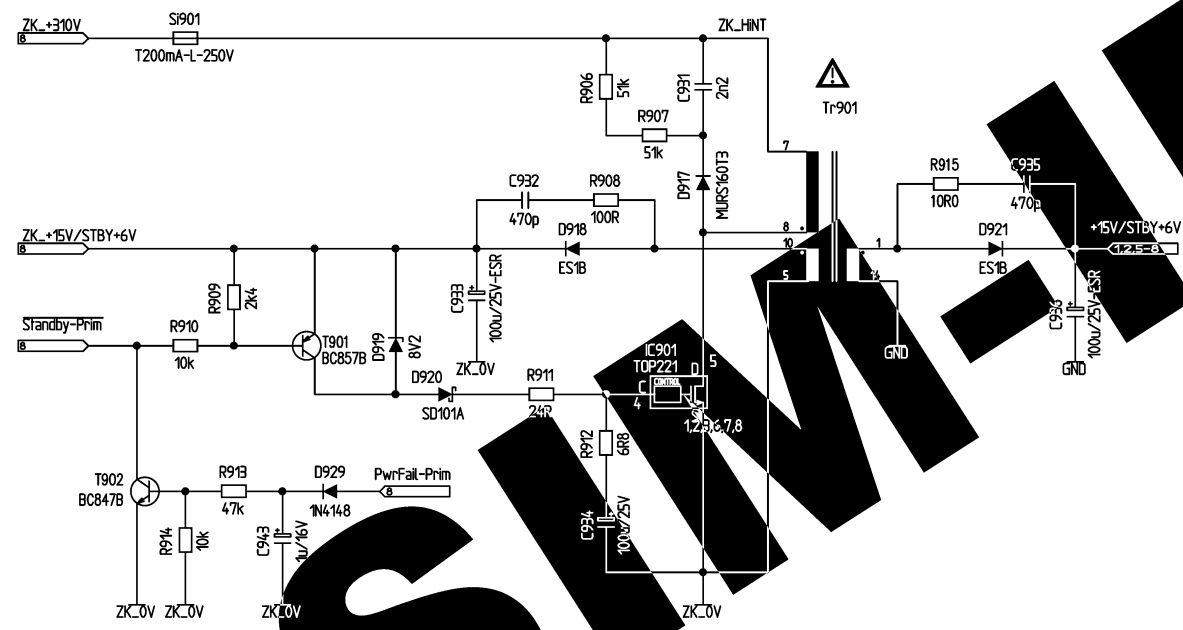
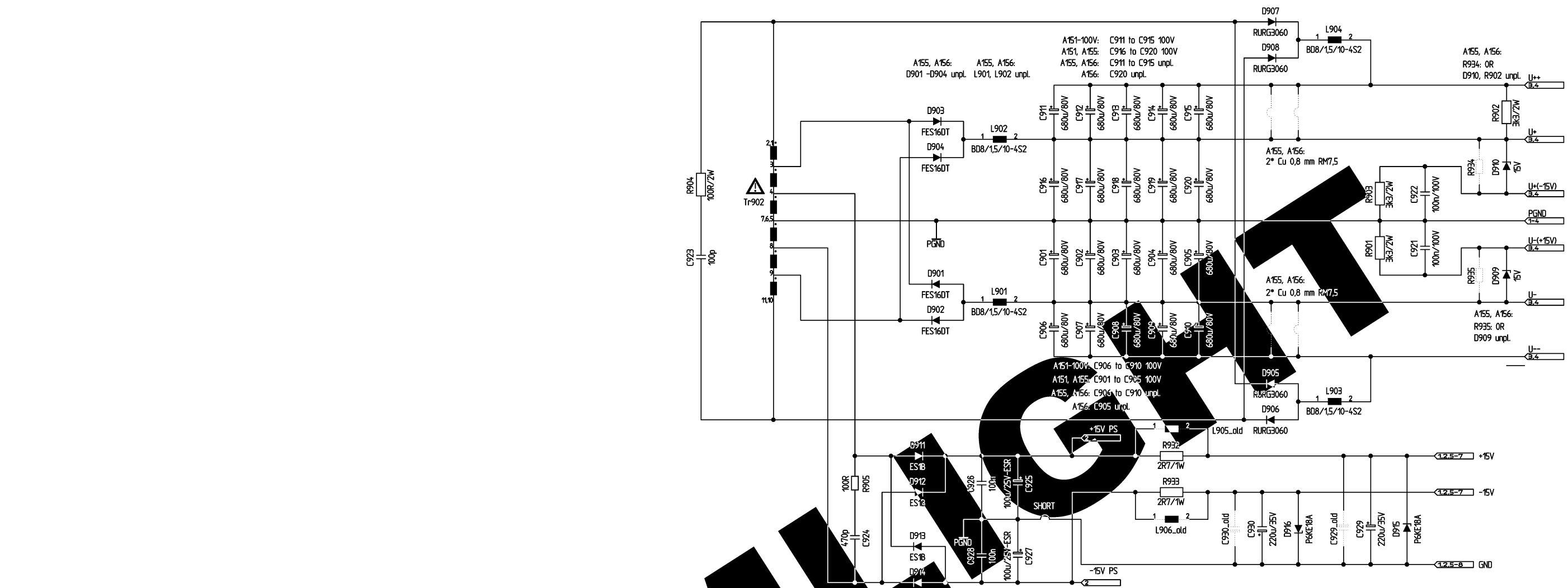
Schutzvermerk DIN34 beachten!
 The copying, distribution and utilization of this document as well as the communication of its contents to others without expressed authorization is prohibited. Offenders will be held liable for the payment of damages. All rights reserved in the event of the grant of a patent, utility model or ornamental design registration.

gezeichnet	Carsten Wegner
Datum	10.10.02
Blatt	CW
Rev.	15.05.05
GV	

CAMCO
 Produktions- und Vertriebs-GmbH
 D-57482 Wenden-Gerlingen, Germany

a1510511
 H-Brücke + Zusatz, ESB

Stand	20.04.05	RevB-2(T32.4)	Blatt	8/10
-------	----------	---------------	-------	------



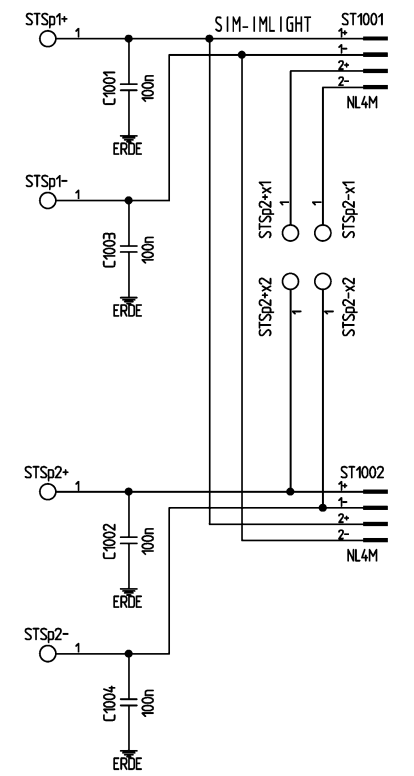
	80x25		
LÜFTER901-A	8314H	LÜFTER901-B	8414NH
	3k3	LÜFTER901-C	312KL
			3k0
* R922:	(xA1)		xC1
AFV:	(x82)		xC2
(formerly)	(x83)		xC3
	(x84)		xC4
	(x86)		xC5
			xC6


Schutzvermerk DIN34 beachten!
 The copying, distribution and utilization of this document as well as the communication of its contents to others without expressed authorization is prohibited. Offenders will be held liable for the payment of damages. All rights reserved in the event of the grant of a patent, utility model or ornamental design registration.

gezeichnet	Carsten Wagner
Datum	10.10.02
Weg	CW
geprüft	15.05.05
Weg	GV

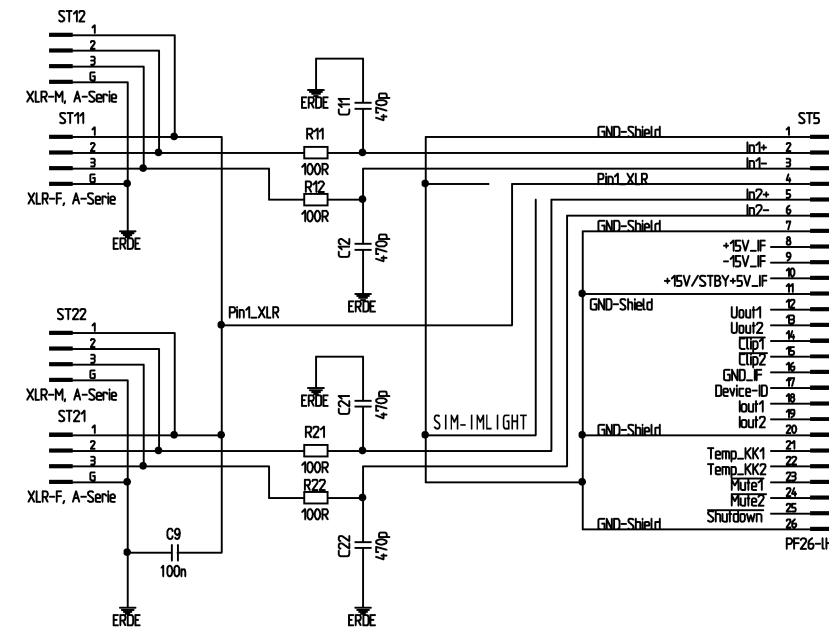
CAMCO
 Produktions- und Vertriebs-GmbH
 D-57482 Wenden-Gerlingen, Germany
 a1510511
 Haupt-NT sek., Hilfs-NT, Lüfter
 Stand 20.04.05 RevB-2(T32.4) Blatt 9/10

SIM-IMMLIGHT



Schutzvermerk DIN34 beachten! The copying, distribution and utilization of this document as well as the communication of its contents to others without expressed authorization is prohibited. Offenders will be held liable for the payment of damages. All rights reserved in the event of the grant of a patent, utility model or ornamental design registration.	gezeichnet		
	Carsten Wegner	Produktions- und Vertriebs- GmbH	
	Datum	D-57482 Wenden-Gerlingen, Germany	
	10.10.02 CW	a1510511	
	15.05.05 GV	Speakon	
		Stand	Blatt
		20.04.05	10/10
	RevB-2(T32.4)		

SIM-IMMLIGHT



V1: Lochabstand Blechwinkel kleiner 30.06.03 GV

Schutzvermerk DIN34 beachten!
The copying, distribution and utilization of this document as well as the communication of its contents to others without expressed authorization is prohibited. Offenders will be held liable for the payment of damages. All rights reserved in the event of the grant of a patent, utility model or ornamental design registration.

gezeichnet	Carsten Wegner
geprüft	CW
Stand	04.02.03
Rev	RevA

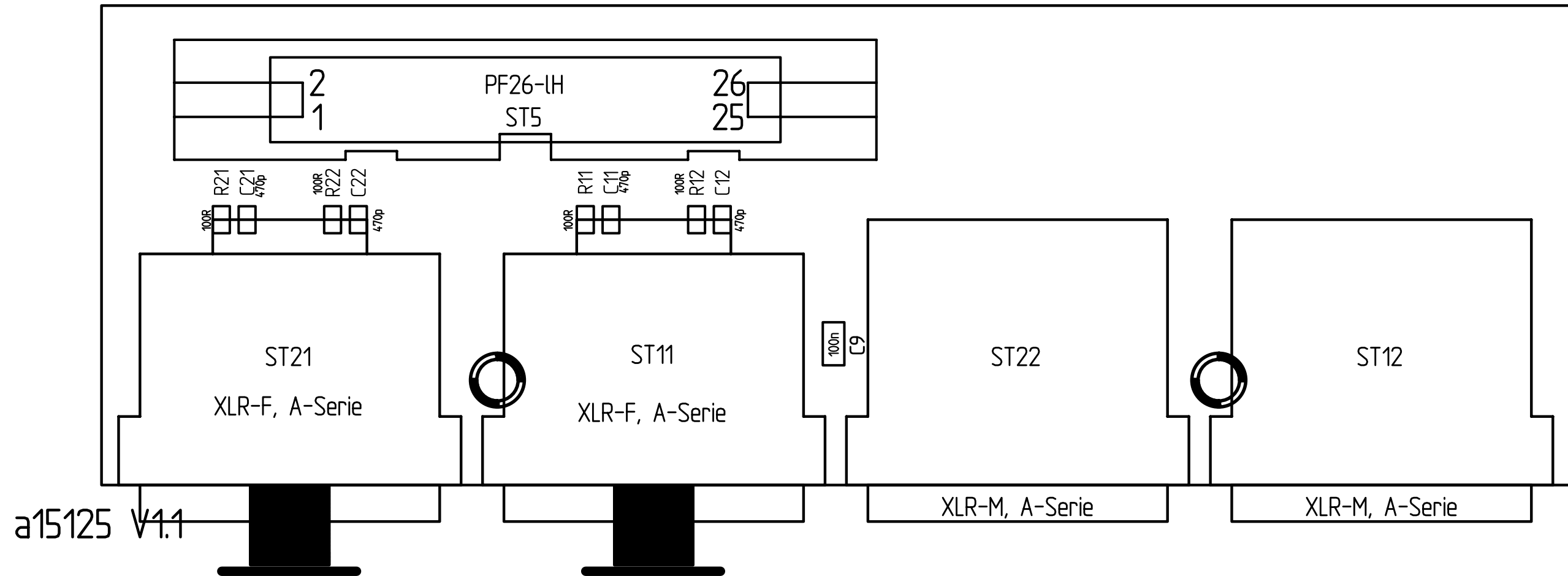
CAMCO
Produktions- und Vertriebs-GmbH
D-57482 Wenden-Gertingen, Germany

a1512511
XLR-Eingangsplatine

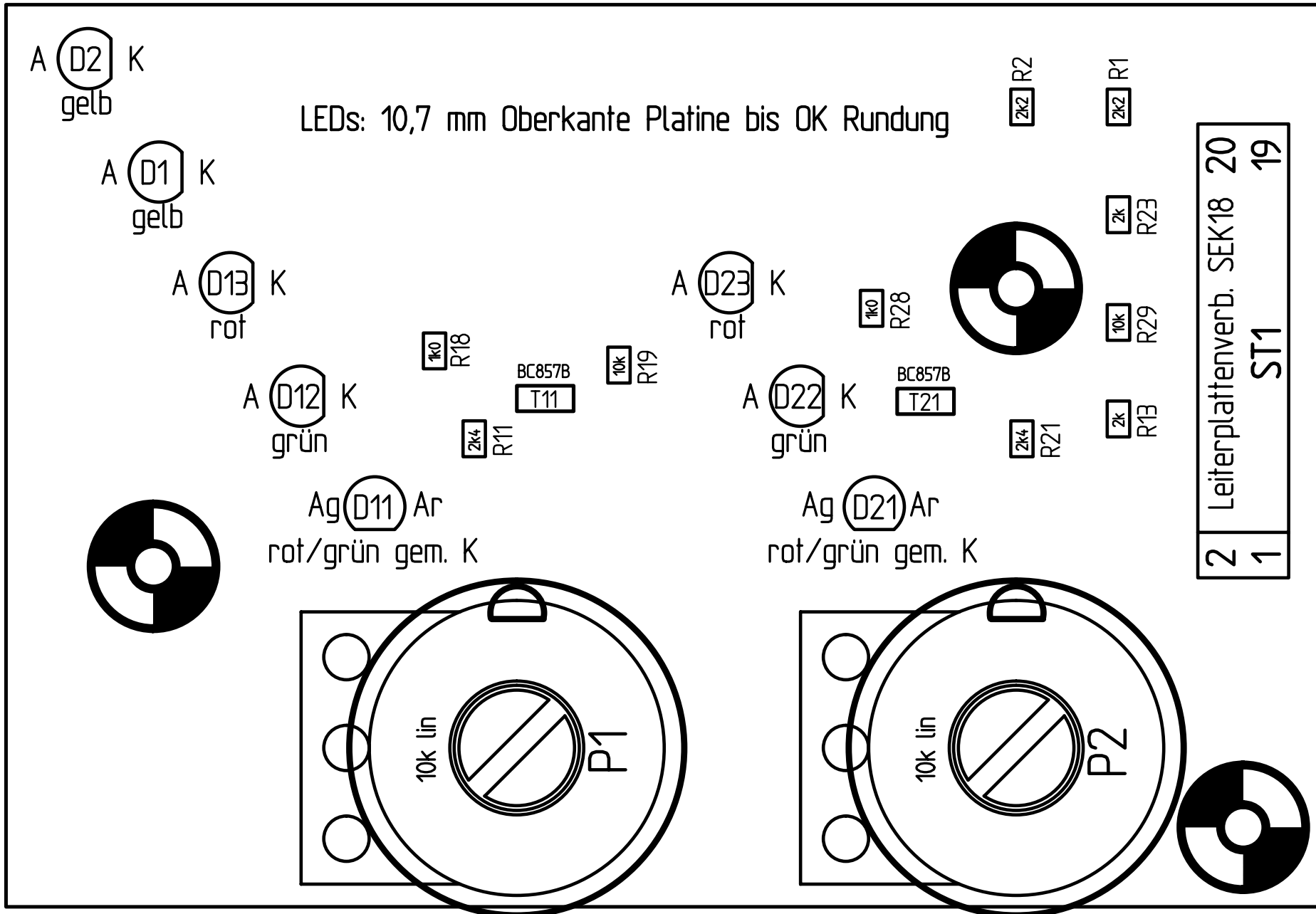
Blatt 1/1

A15125 [RevA]

Born Free Inc. Taiwan

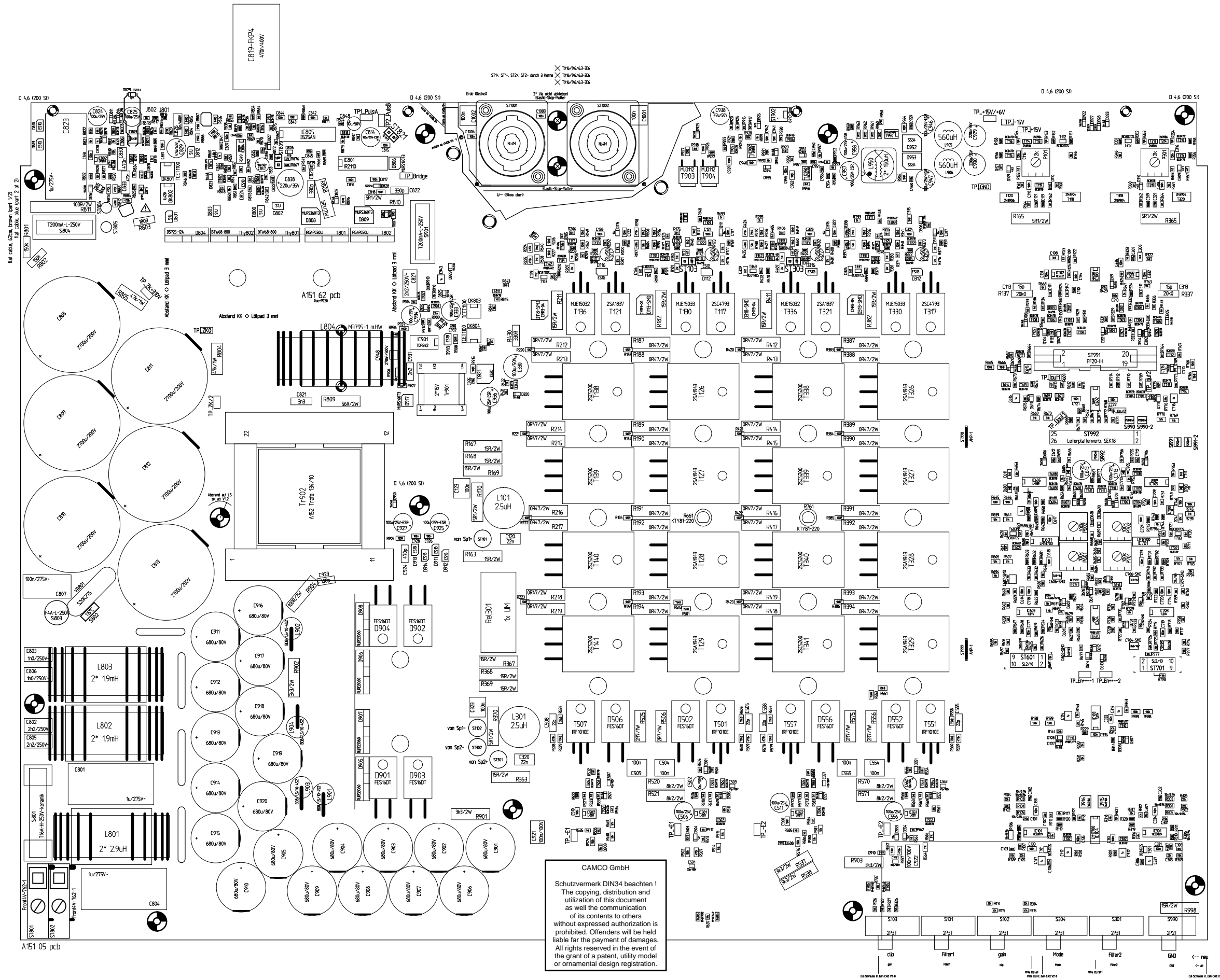


A15130 [Rev A]

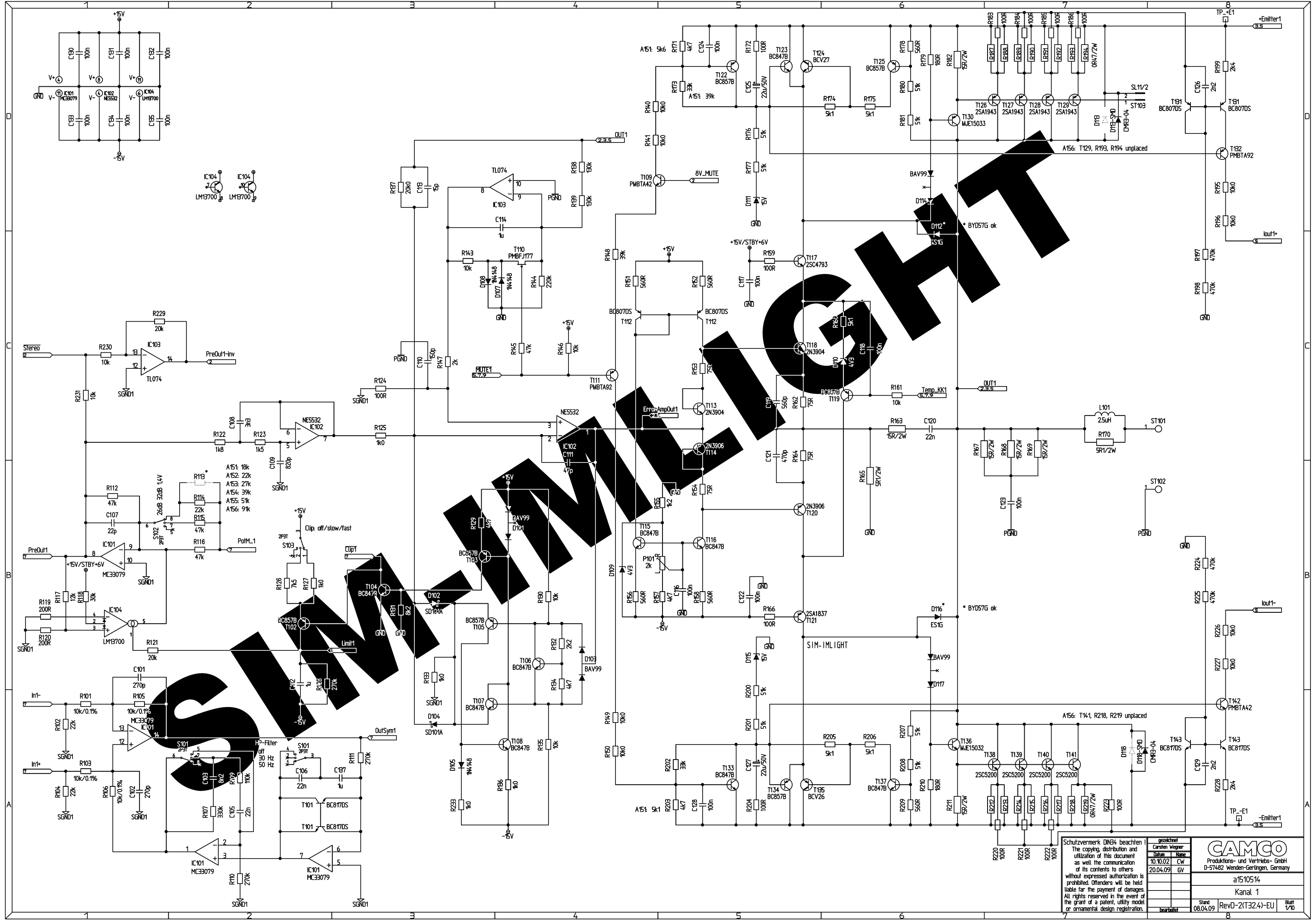


~~X~~
 Federleiste 20 pol
 Zugentlastung 20 pol
 Flachbandkabel 20 pol

2	Leiterplattenverb. SEK18	20
1	ST1	19



CAMCO GmbH
 Schutzvermerk DIN34 beachten !
 The copying, distribution and
 utilization of this document
 as well as the communication
 of its contents to others
 without expressed authorization is
 prohibited. Offenders will be held
 liable for the payment of damages.
 All rights reserved in the event of
 the grant of a patent, utility model
 or ornamental design registration.



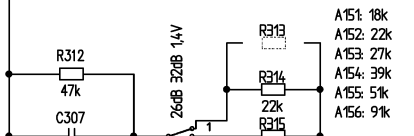
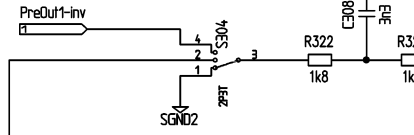
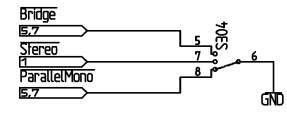
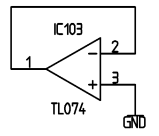
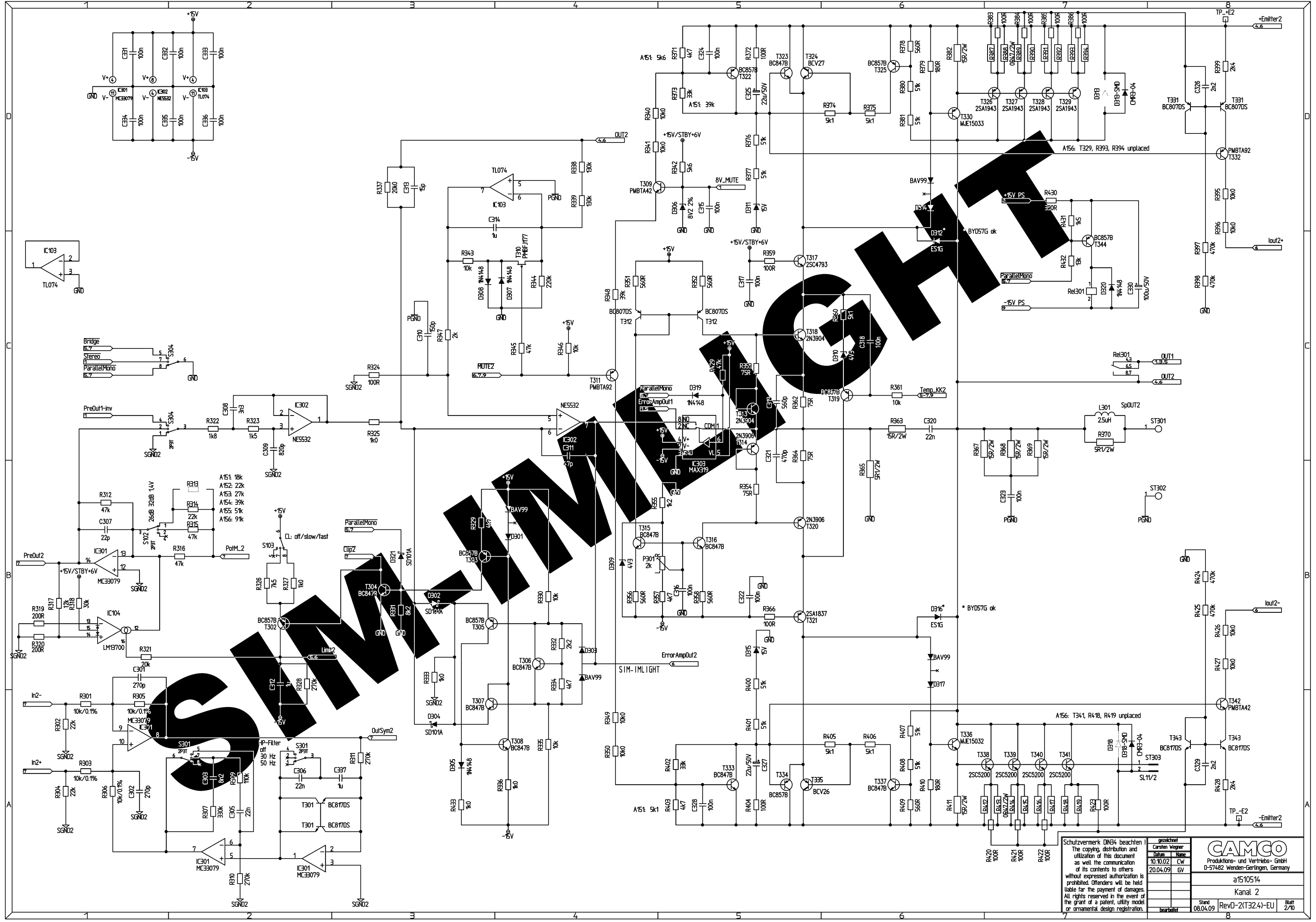
Schutzvermerk DIN84 beachten
The copying, distribution and utilization of this document as well as the communication of its contents to others without expressed authorization is prohibited. Offenders will be held liable for the payment of damages. All rights reserved in the event of the grant of a patent, utility model or ornamental design registration.

gezeichnet	Carsten Wegner
Datum	10.10.02
Name	CW
geprüft	20.04.09
bearbeitet	GV

CAMCO
Produktions- und Vertriebs-GmbH
D-57482 Wenden-Gertrien, Germany

a1510514
Kanal 1

Stand 08.04.09
RevD-2(T32.4)-EU
Blatt 1/10



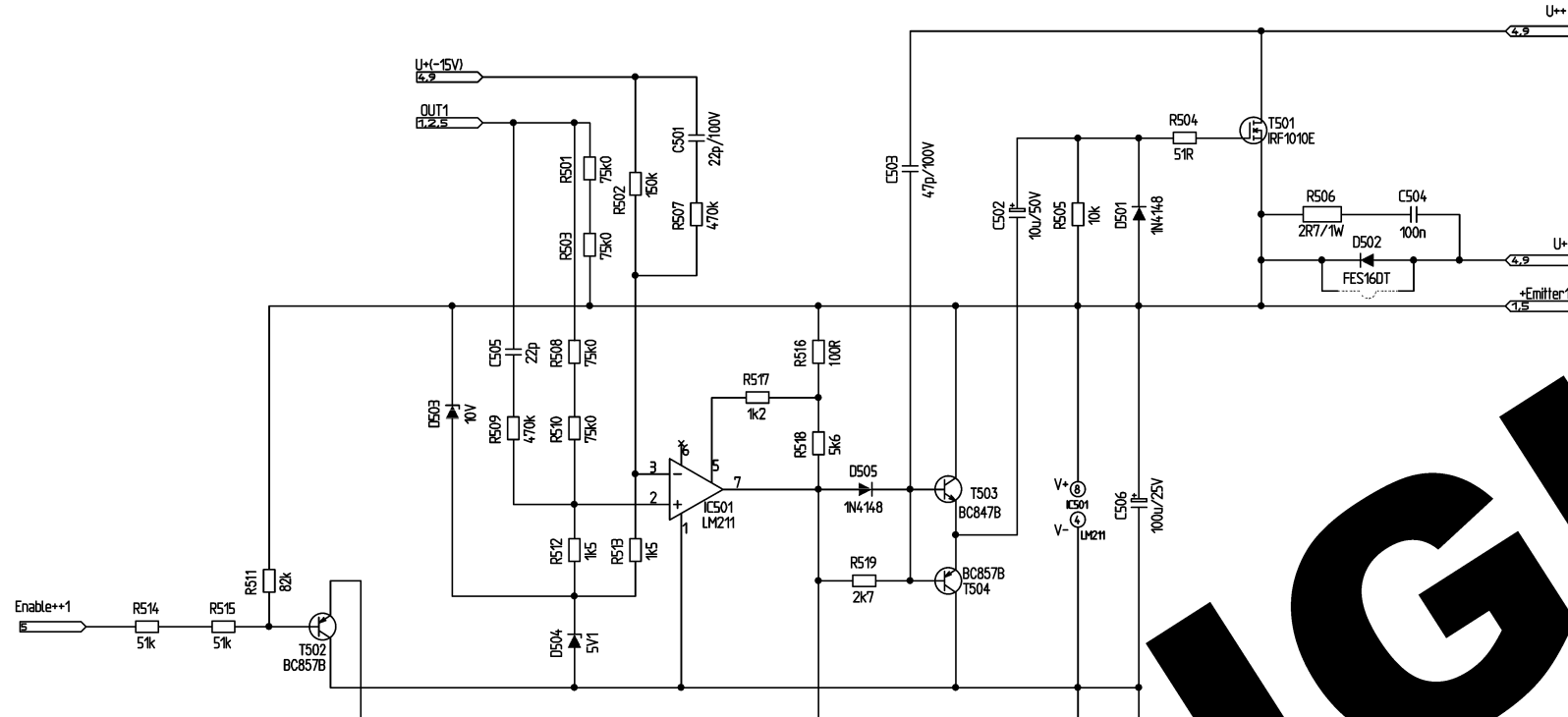
Schutzvermerk DIN84 beachten
The copying, distribution and utilization of this document as well as the communication of its contents to others without expressed authorization is prohibited. Offenders will be held liable for the payment of damages. All rights reserved in the event of the grant of a patent, utility model or ornamental design registration.

gezeichnet	Carsten Wegner
Datum	10.10.02
CV	CW
20.04.09	GV
bearbeitet	

CAMCO
Produktions- und Vertriebs-GmbH
D-57482 Wenden-Gerlingen, Germany

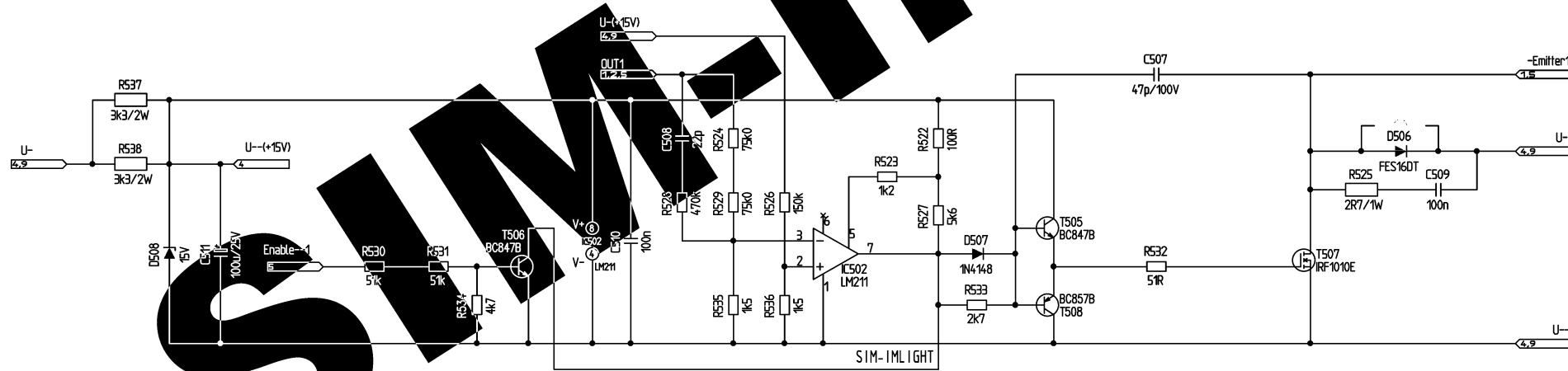
a1510514
Kanal 2

Stand 08.04.09
RevD-2(T32.4)-EU
Blatt 2/70



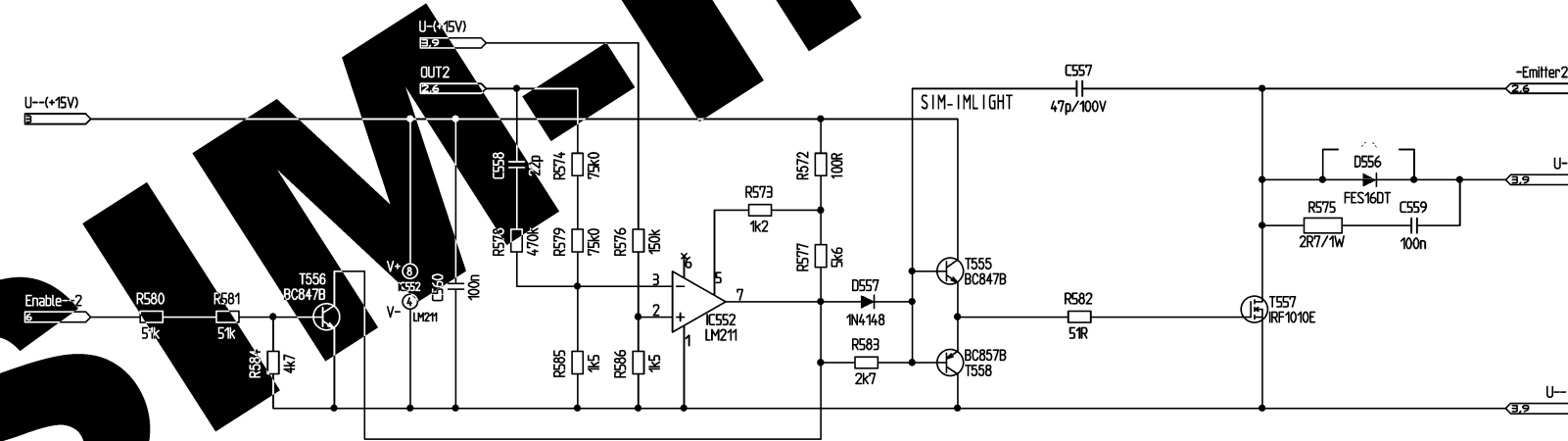
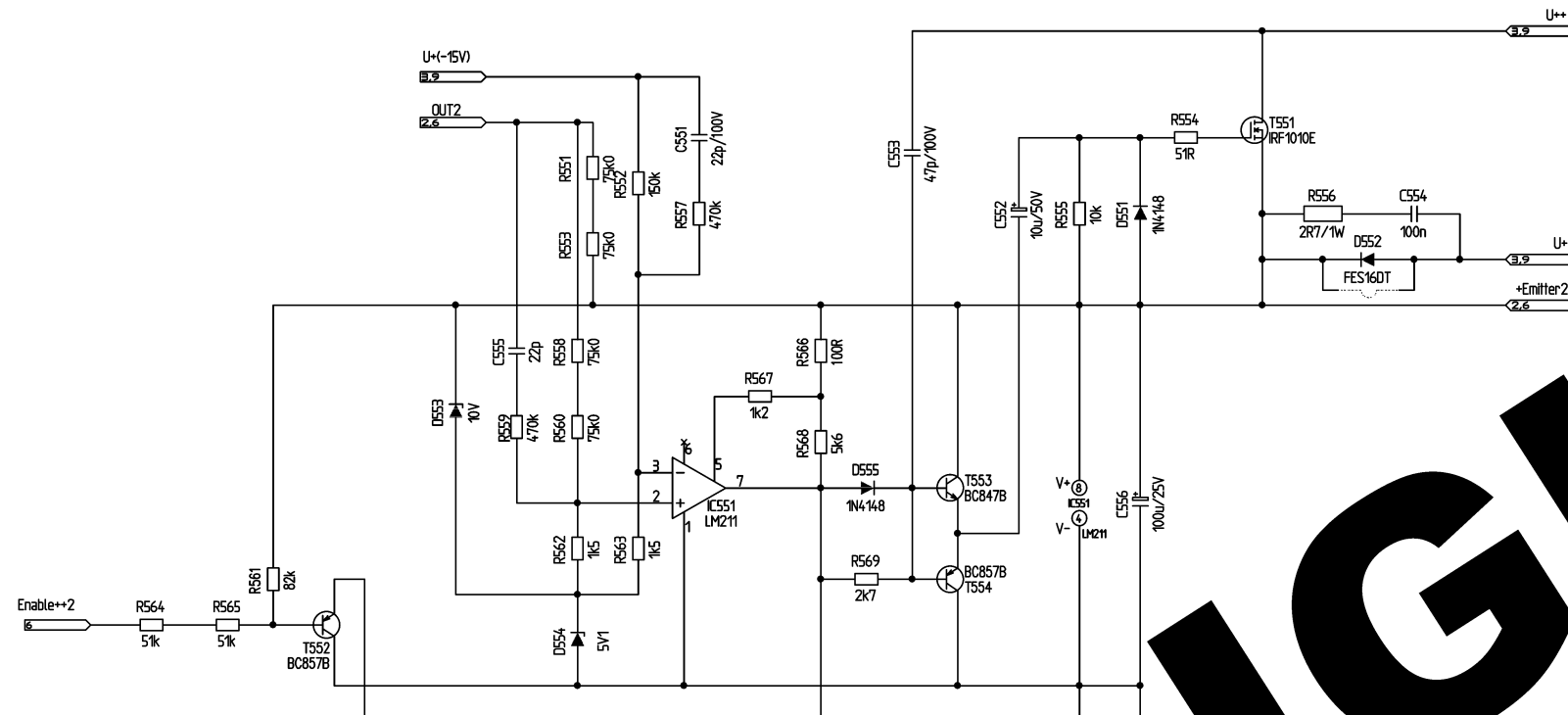
T501, T507:
 A151-EU, -US: STP120NF10 or HUF7554SP3
 A151-JP: STP120NF10
 A152-EU, -US: STP120NF10 or HUF7554SP3 or R1010E
 A152-JP: STP120NF10 or HUF7554SP3
 A153: STP120NF10 or HUF7554SP3 or R1010E
 A154: STP120NF10 or HUF7554SP3 or R1010E

A155, A156: all parts of this page unplaced, 2 short placed



SIM-IMMLIGHT

Schutzvermerk DIN94 beachten The copying, distribution and utilization of this document as well as the communication of its contents to others without expressed authorization is prohibited. Offenders will be held liable for the payment of damages. All rights reserved in the event of the grant of a patent, utility model or ornamental design registration.	gezeichnet	CAMCO		
	Carsten Wegner	Produktions- und Vertriebs- GmbH		
	Datum	10.10.02	Name	D-57482 Wenden-Gerlingen, Germany
	20.04.09	GV		
			a1510514	
			EmitterBusse 1	
	Stand	08.04.09	RevD-2(T32.4)-EU	Blatt 3/70
	bearbeitet			

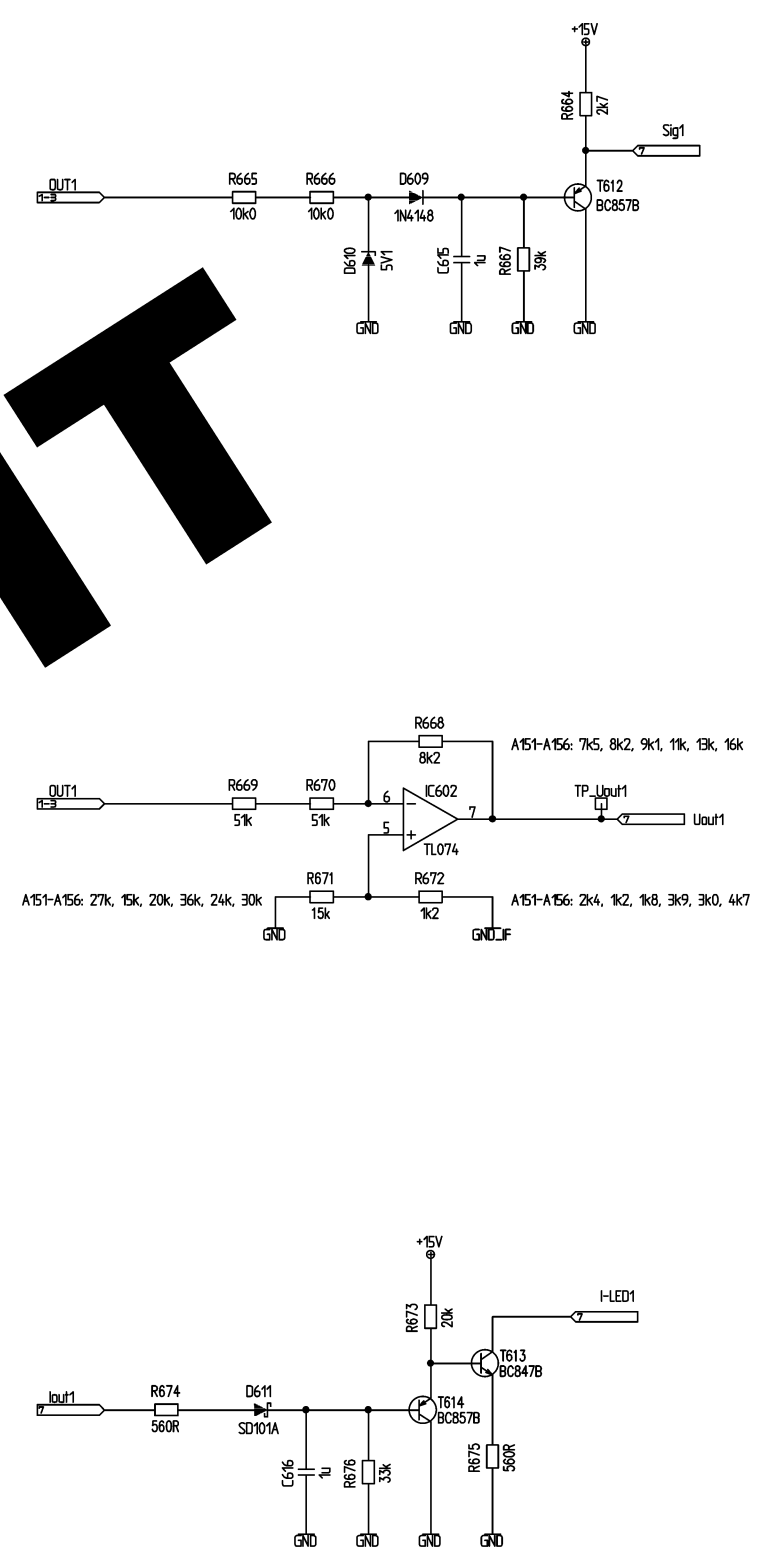
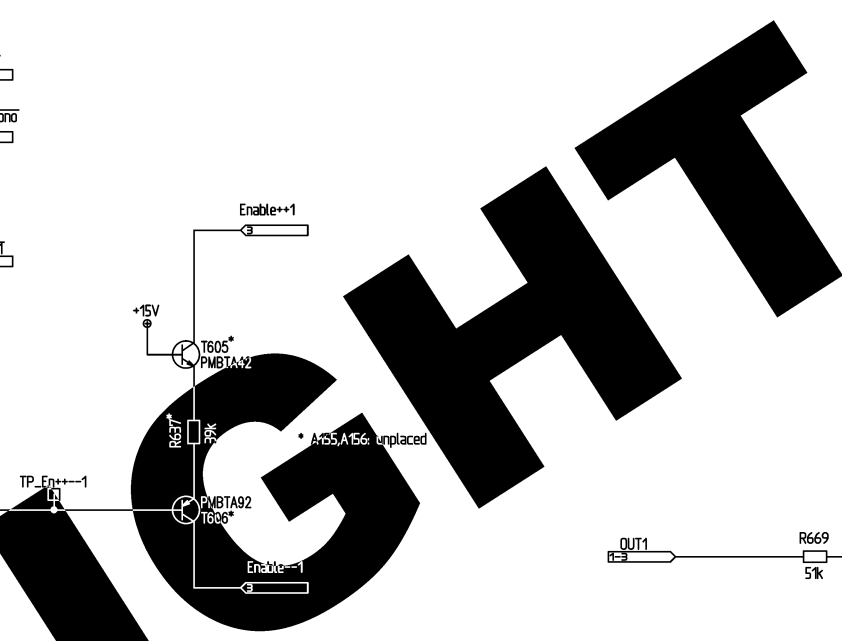
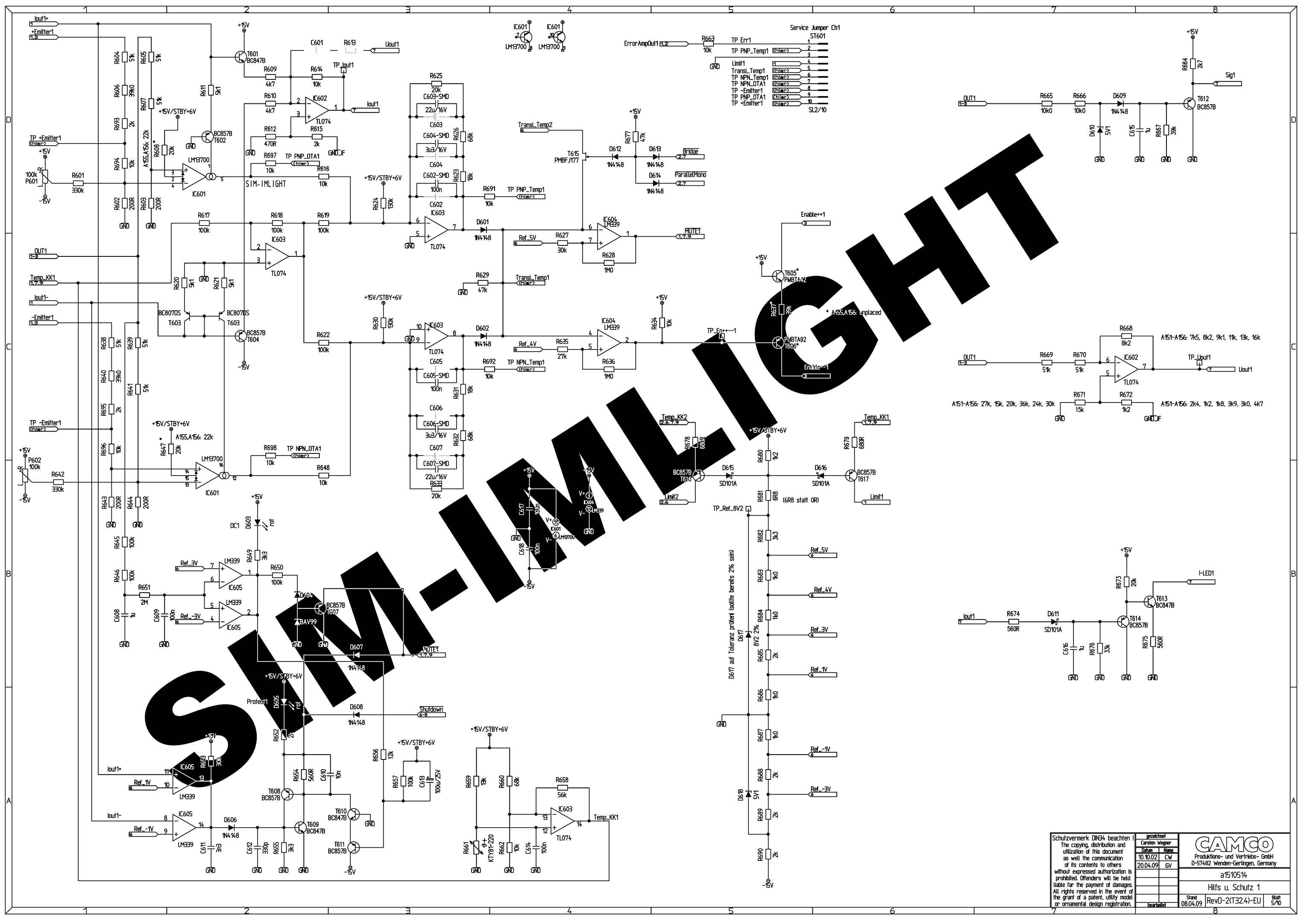


SIM-IMMLIGHT

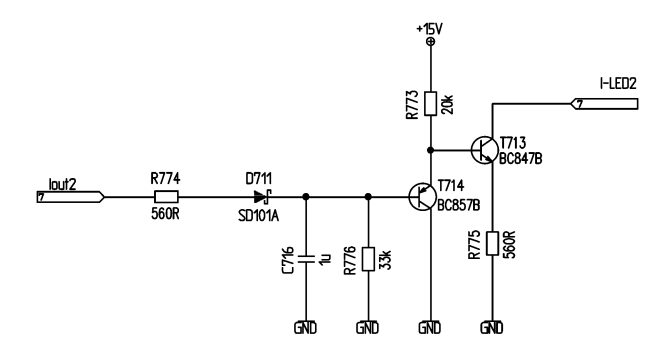
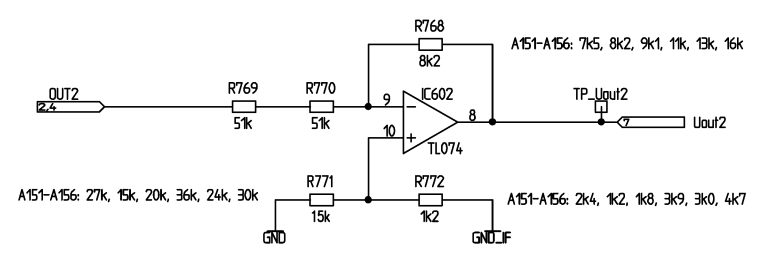
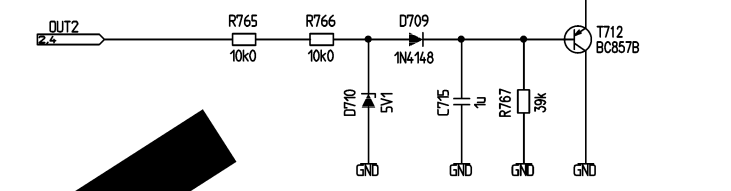
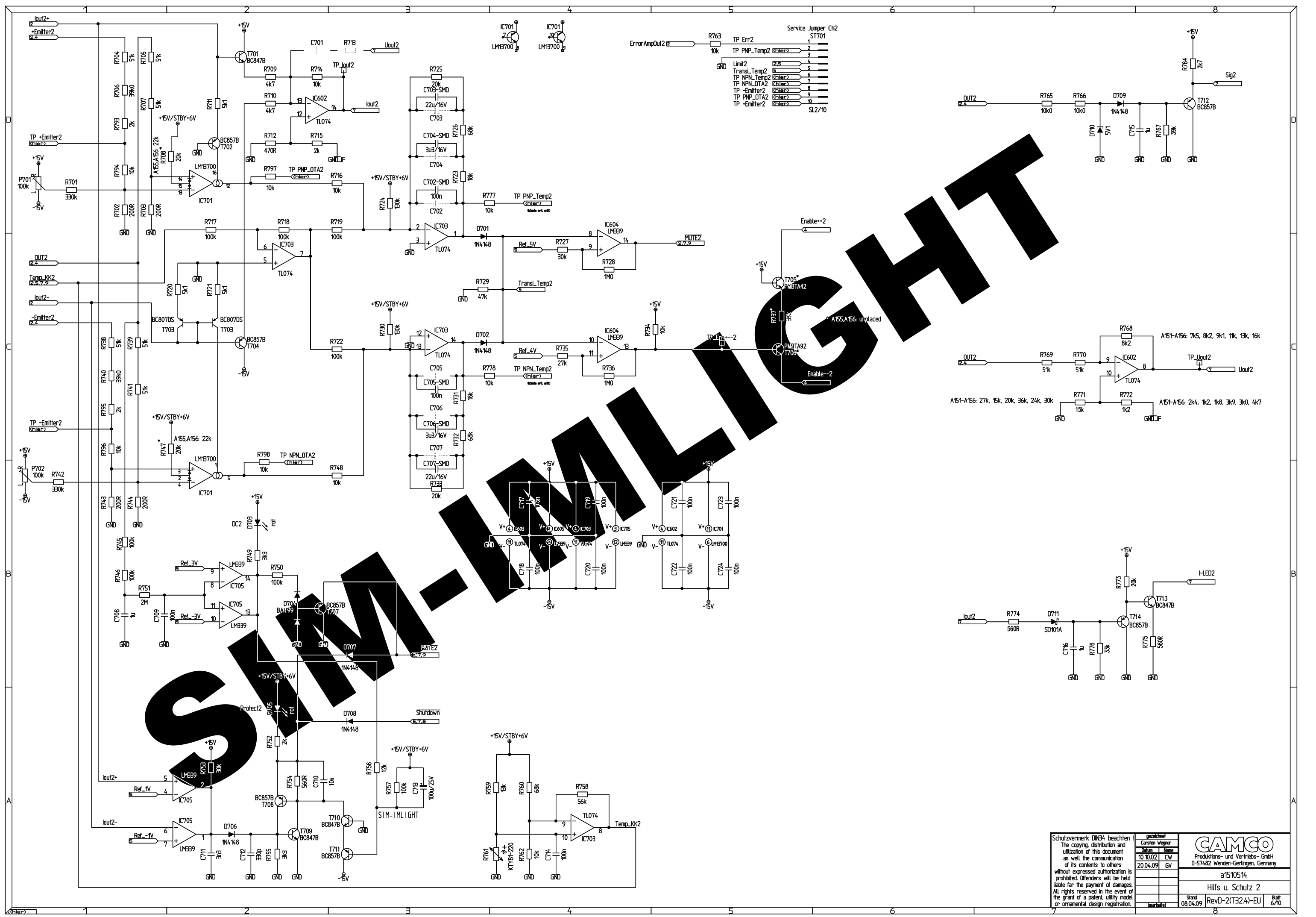
- T551, T557:
- A151-EU, -US: STP120NF10 or HUF7554SP3
 - A151-JP: STP120NF10
 - A152-EU, -US: STP120NF10 or HUF7554SP3 or R1010E
 - A152-JP: STP120NF10 or HUF7554SP3
 - A153: STP120NF10 or HUF7554SP3 or R1010E
 - A154: STP120NF10 or HUF7554SP3 or R1010E

A155, A156: all parts of this page unplaced, 2 short placed

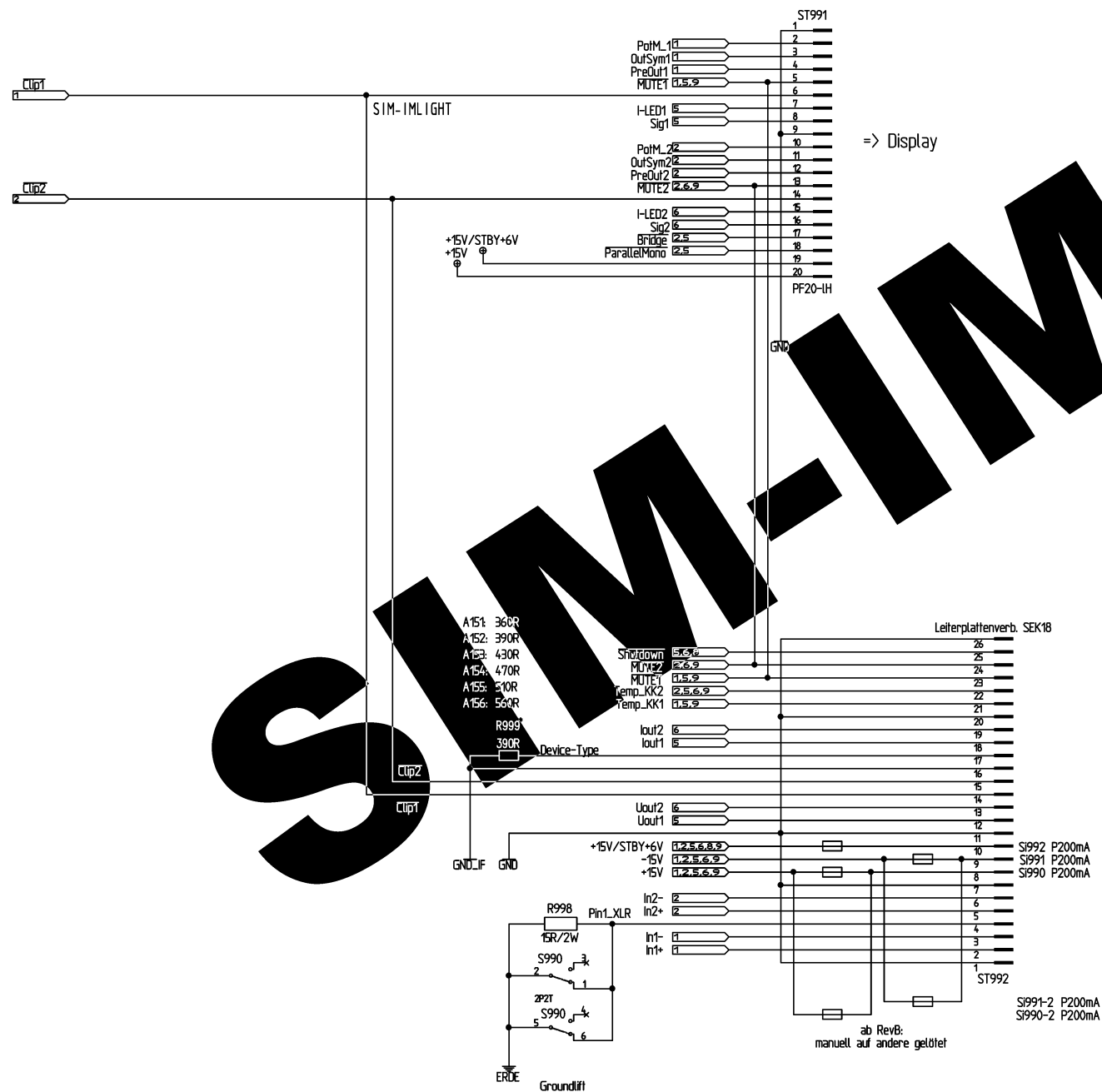
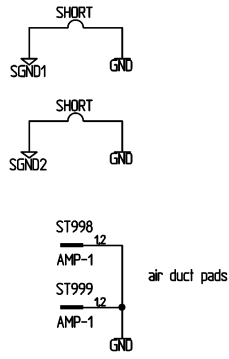
Schutzvermerk DIN84 beachten The copying, distribution and utilization of this document as well as the communication of its contents to others without expressed authorization is prohibited. Offenders will be held liable for the payment of damages. All rights reserved in the event of the grant of a patent, utility model or ornamental design registration.	gezeichnet	CAMCO Produktions- und Vertriebs- GmbH D-57482 Wenden-Gerlingen, Germany	
	Carsten Wegner		
	Datum	a1510514	
	20.04.09	EmitterBusse 2	
Stand	08.04.09	RevD-2(T32.4)-EU	Blatt 4/70



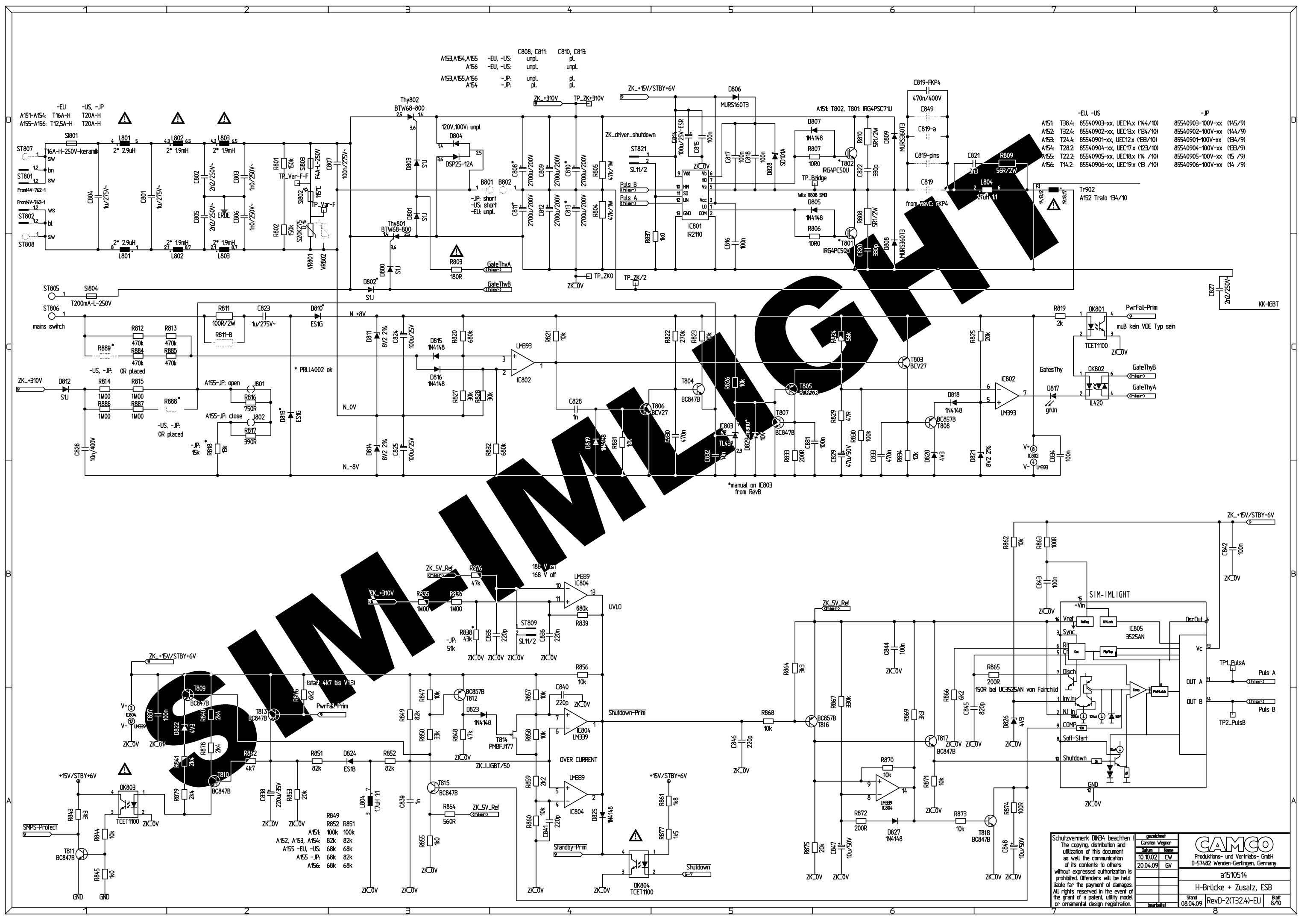
Schutzvermerk DNB4 beachten The copying, distribution and utilization of this document as well as the communication of its contents to others without expressed authorization is prohibited. Offenders will be held liable for the payment of damages. All rights reserved in the event of the grant of a patent, utility model or ornamental design registration.	gezeichnet Carsten Wegner	 Produktions- und Vertriebs-GmbH D-57482 Wenden-Gerlingen, Germany a1510514 Hilfs u. Schutz 1
	Datum 20.04.09	
Stand 08.04.09	RevD-2(T32.4)-EU	Blatt 5/0



Schutzvermerk DIN 4 beachten The copying, distribution and utilization of this document as well as the communication of its contents to others without expressed authorization is prohibited. Offenders will be held liable for the payment of damages. All rights reserved in the event of the grant of a patent, utility model or ornamental design registration.	gezeichnet Carsten Wegner	 Produktions- und Vertriebs-GmbH D-57482 Wenden-Gerlins, Germany a1510514 Hilfs u. Schutz 2
	Datum 20.04.09	
bearbeitet	Stand 08.04.09	RevD-2(T32.4)-EU Blatt 6/70



Schutzvermerk DIN84 beachten! The copying, distribution and utilization of this document as well as the communication of its contents to others without expressed authorization is prohibited. Offenders will be held liable for the payment of damages. All rights reserved in the event of the grant of a patent, utility model or ornamental design registration.	gezeichnet	Carsten Wegner	
	Datum	10.10.02	Name
	20.04.09	GV	
	bearbeitet		
CAMCO		Produktions- und Vertriebs- GmbH D-57482 Wenden-Gerlingen, Germany	
a1510514		DisplayCon / EUJ	
Stand	08.04.09	RevD-2(T32.4)-EU	Blatt 7/70



A153, A154, A155 -EU, -US: unpl.
 A156 -EU, -US: unpl.
 A153, A155, A156 -JP: unpl.
 A154 -JP: unpl.

-EU, -US
 A151: T38.4: 85540903-xx, UEC14.x (144/10)
 A152: T32.4: 85540902-xx, UEC13.x (134/10)
 A153: T24.4: 85540901-xx, UEC12.x (123/10)
 A154: T28.2: 85540904-xx, UEC17.x (123/10)
 A155: T22.2: 85540905-xx, UEC18.x (14 /10)
 A156: T14.2: 85540906-xx, UEC19.x (13 /10)

-JP
 85540903-100V-xx (145/9)
 85540902-100V-xx (144/9)
 85540901-100V-xx (134/9)
 85540904-100V-xx (123/9)
 85540905-100V-xx (15 /9)
 85540906-100V-xx (14 /9)

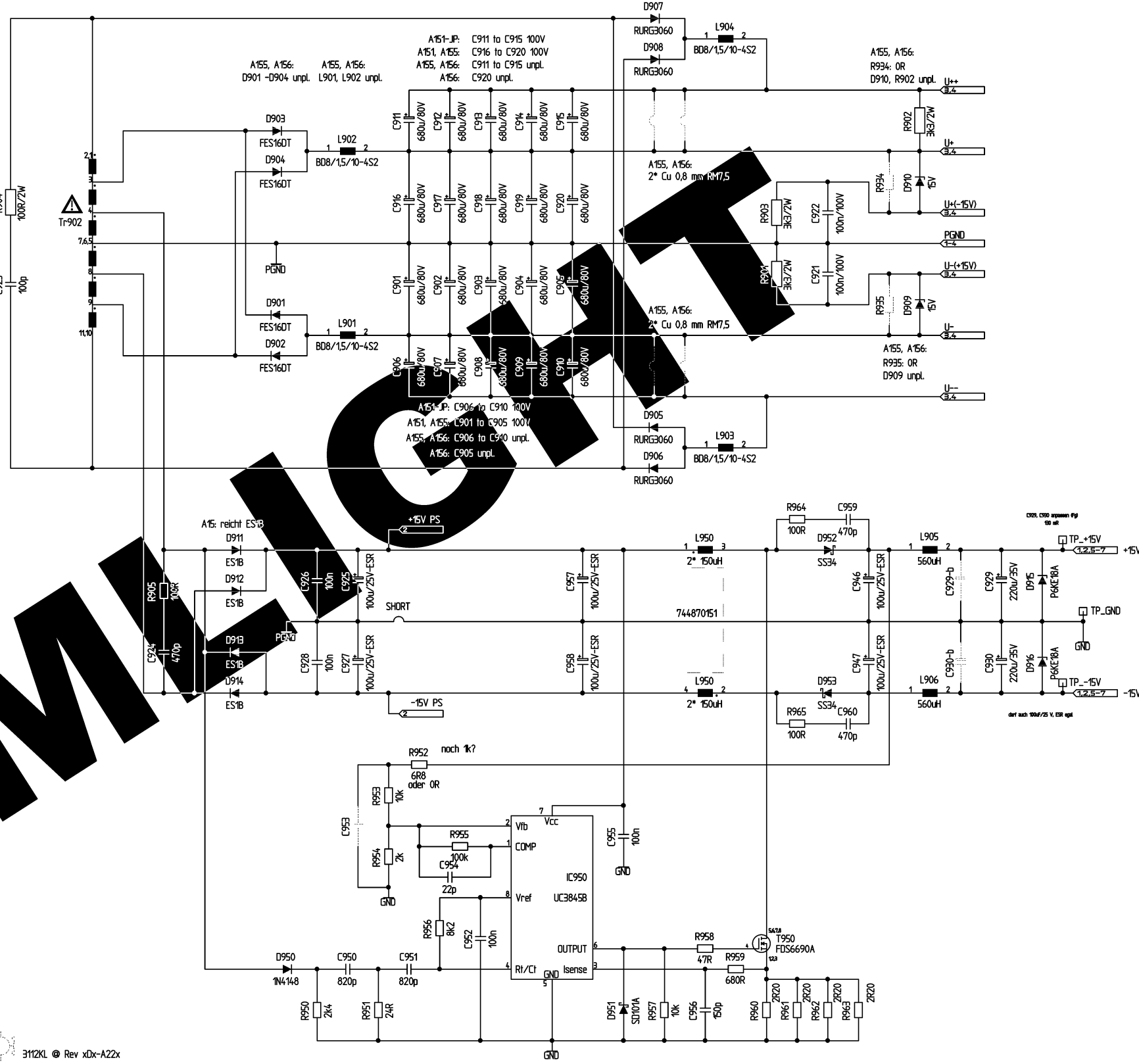
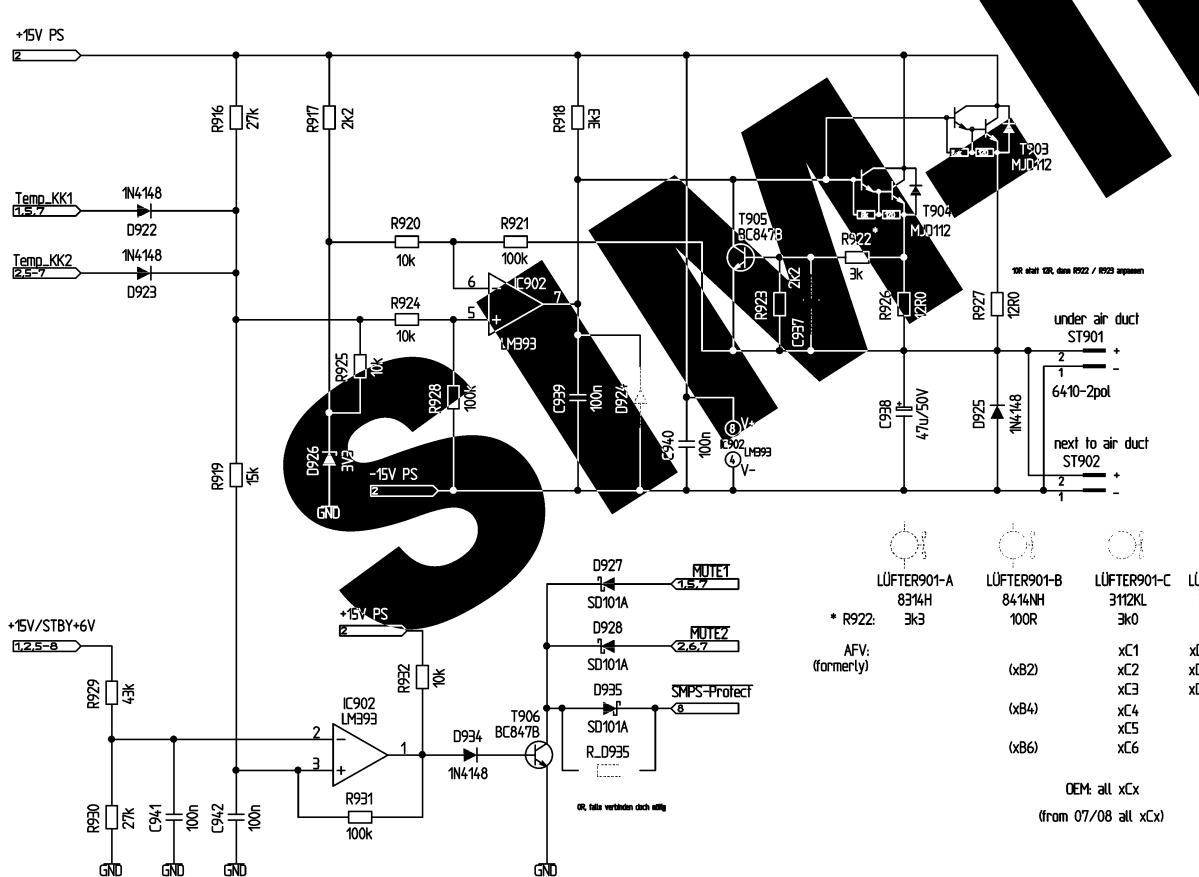
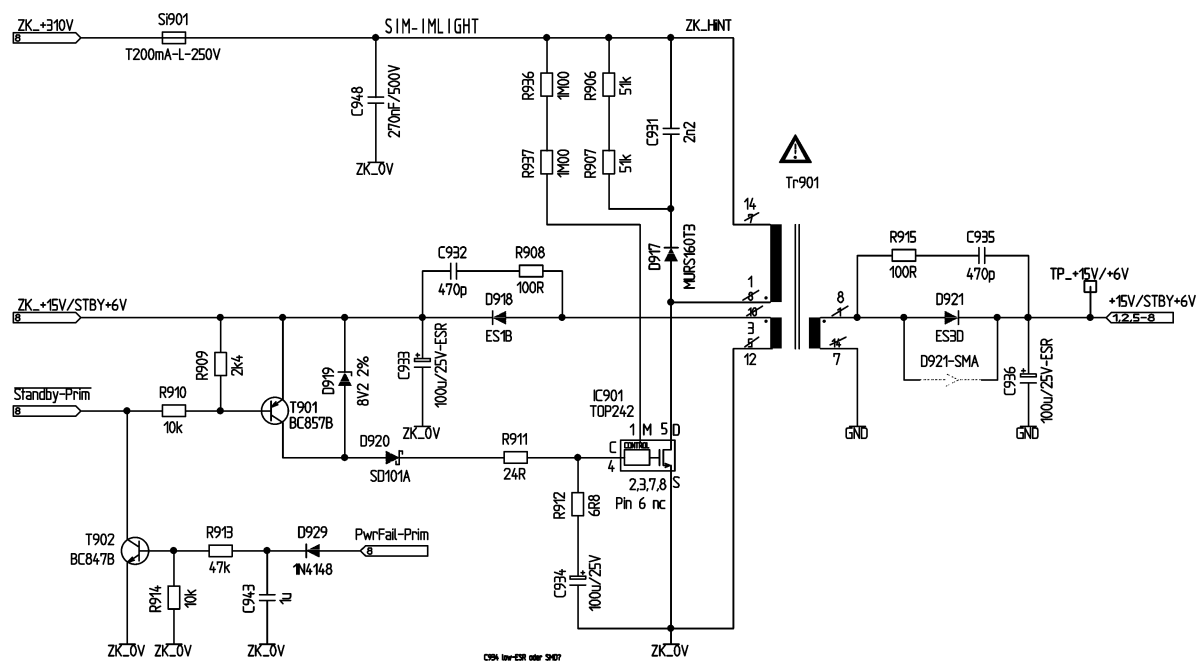
Schutzvermerk DIN34 beachten
 The copying, distribution and utilization of this document as well as the communication of its contents to others without expressed authorization is prohibited. Offenders will be held liable for the payment of damages. All rights reserved in the event of the grant of a patent, utility model or ornamental design registration.

gezeichnet	Carsten Wegner
Datum	10.10.02
Name	CW
geprüft	
Datum	20.04.09
Name	GV

Produktions- und Vertriebs-GmbH
 D-57482 Wenden-Gertlingen, Germany

a1510514
 H-Brücke + Zusatz, ESB

Stand 08.04.09
 RevD-2(T32.4)-EU
 Blatt 8/70



3112KL @ Rev xDx-A22x LÜFTER902	LÜFTER901-A 8314H 3x3	LÜFTER901-B 8414NH 100R	LÜFTER901-C 3112KL 3x0	LÜFTER901-D 3112KL 10k
	* R922: AFV: (formerly)	(x82) (x84) (x86)	xC1 xC2 xC3 xC4 xC5 xC6	xD1-A222 xD2-A223 xD3-A224

Schutzvermerk DIN34 beachten
 The copying, distribution and utilization of this document as well as the communication of its contents to others without expressed authorization is prohibited. Offenders will be held liable for the payment of damages. All rights reserved in the event of the grant of a patent, utility model or ornamental design registration.

gezeichnet	Carsten Wegner
Datum	10.10.02
Name	CW
geprüft	20.04.09
GV	

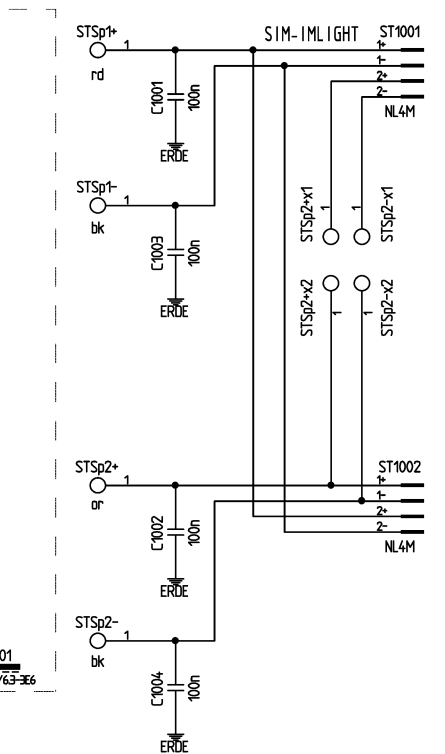
CAMCO
 Produktions- und Vertriebs-GmbH
 D-57482 Wenden-Gerlingen, Germany
 a1510514
 Haupt-NT sek., Hilfs-NT, Lüfter
 Stand 08.04.09
 RevD-2(T32.4)-EU
 Blatt 9/10

SIM-IMMLIGHT

L1003
TX16/96/63-3E6

L1002
TX16/96/63-3E6

L1001
TX16/96/63-3E6



Schutzvermerk DIN94 beachten! The copying, distribution and utilization of this document as well as the communication of its contents to others without expressed authorization is prohibited. Offenders will be held liable for the payment of damages. All rights reserved in the event of the grant of a patent, utility model or ornamental design registration.	gezeichnet			
	Carsten Wegner	Produktions- und Vertriebs- GmbH		
	Datum	Name	D-57482 Wenden-Gerlingen, Germany	
	20.04.09	CW	a1510514	
	GV	Speakon		
		Stand	RevD-2(T32.4)-EU	
	08.04.09	8	10/70	

D-POWER-2 = Tecton-24.4
D-POWER-3 = Tecton-32.4
D-POWER-4 = Tecton-38.4
D-POWER-7 = Vortex-6