

1935-36

# MODEL C12-1 (GENERAL ELECTRIC MODEL A-128)

C-47 as in (a) to correct for any change caused by the adjustment of C-48.

### BAND B

Place the receiver range switch in its Band "B" position and tune the station selector to a dial reading of 6132 kc. Set the frequency of the Oscillator to 6132 kc. Then adjust trimmer C-26 to give maximum receiver output. Two positions may be found which fulfill this condition. The one of least capacitance is correct. To assure that the right peak has been used; tune the receiver to 5212 kc. and increase the Oscillator output. The "image" of 6132 kc. will be received at this point if C-26 has been adjusted to the proper point of maximum output. *No trimmer adjustments are to be made during this check.* Return the receiver tuning to 6132 kc., readjust C-26 if necessary, and then tune the detector and antenna coil trimmers, C-11 and C-2 to produce maximum (peak) receiver output as indicated on the glow meter.

### BAND C

Turn the receiver range switch to its Band "C" position and set the tuning control to a dial reading of 18,000 kc. Tune the Oscillator to this same frequency. Adjust the oscillator parallel trimmer C-41 to produce maximum receiver output. Two positions of the trimmer will be found which fulfill such a condition. The one of least capacitance is correct. To assure that the right position has been used, check for the "image" of the 18,000 kc. signal which will be received at 17,080 kc. on the dial if C-41 is correctly adjusted. An increase in Oscillator output may be necessary. *No trimmer adjustments should be made during this check.* Return the receiver tuning to 18,000 kc., readjust C-41 if necessary, and then tune the detector and antenna trimmers C-10 and C-1 to give maximum receiver output.

I.F. =  
460 K.C.

**I-F Adjustments**—Connect the output of the test Oscillator from the Type-6L7 first detector control grid to chassis-ground and adjust its frequency to 460 kc. Tune the receiver to Band "A", setting the station selector at a point where no interference is received from local stations or the local oscillator. Then tune the i-f trimmers C-31, C-30, C-28, C-27, C-24 and C-23 in order, each for maximum indicated receiver output.

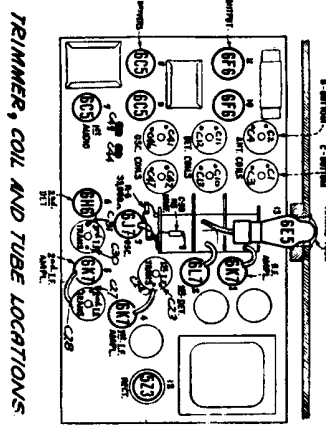
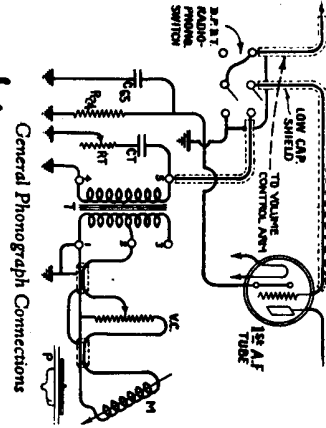
**R-F Adjustments**—Connect the Oscillator output to the antenna-ground terminals of the receiver. Keep the output indicator attached to the receiver output as above. For each adjustment, use the minimum signal which will give a perceptible indication on glow indicator.

### BAND A

- (a) Set the range switch of the receiver to its Band A position and tune the selector to a dial reading of 1720 kc. Tune the Oscillator to this same frequency and adjust trimmers C-46, C-12 and C-3 to produce maximum indicated receiver output.
- (b) Shift the Oscillator to 600 kc. and tune the receiver to pick up this signal, disregarding the dial reading at which it is best received. Then adjust trimmer C-44, simultaneously rocking the tuning control backward and forward through the signal, until maximum output is obtained from the combined operations. Repeat the alignment of C-46 as in (a) to correct for any change caused by adjustment of C-44.

### BAND X

- (a) Change the range switch to its Band "X" position. Tune the receiver to read 400 kc. and set the Oscillator to produce this same frequency. Adjust trimmers C-47, C-13 and C-4 to produce maximum receiver output.
- (b) Shift the Oscillator frequency to 150 kc. and tune the receiver to pick up this signal, disregarding the dial reading at which it is best received. Then tune the oscillator series trimmer C-48, simultaneously rocking the tuning control (receiver) backward and forward through the signal, until maximum output results from the combined operations. Repeat the alignment of



DATA SHEET.

PRINTED IN CANADA

COURTESY- R.C.A.  
VICTOR-31