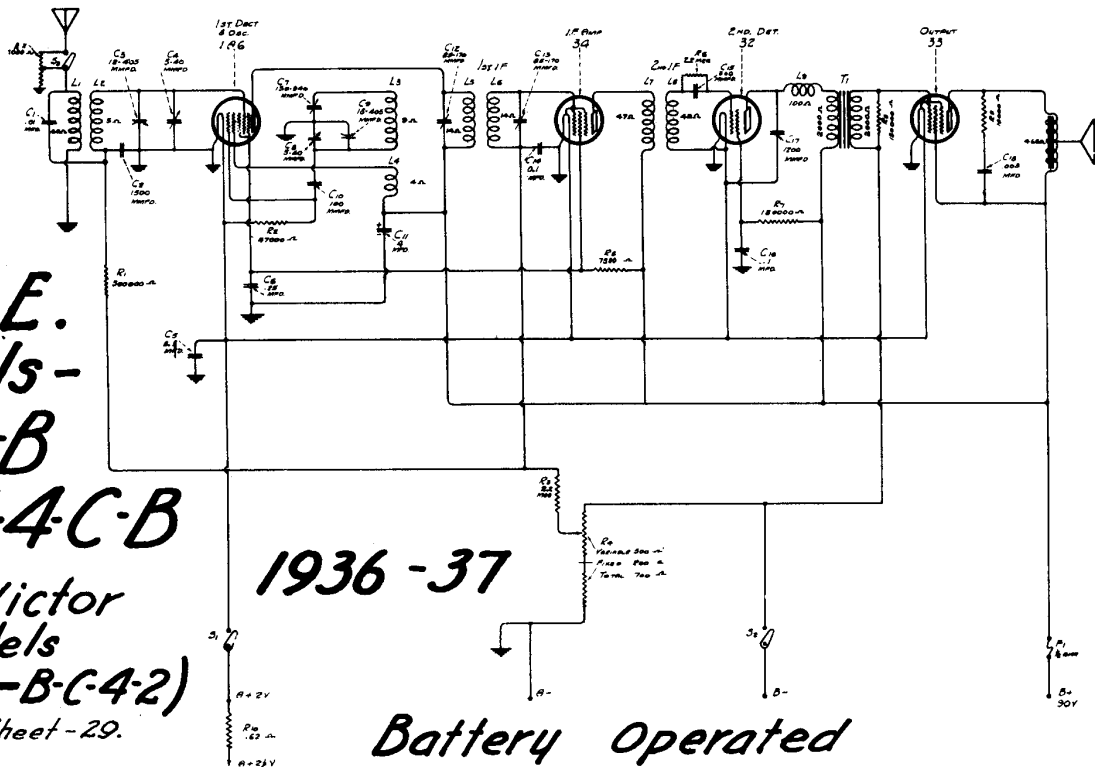


**C.G.E.  
Models -  
E-4-B  
and E-4-C-B**  
(R.C.A. Victor  
Models  
B-T-4-2 - B-C-4-2)  
See Victor Sheet - 29.



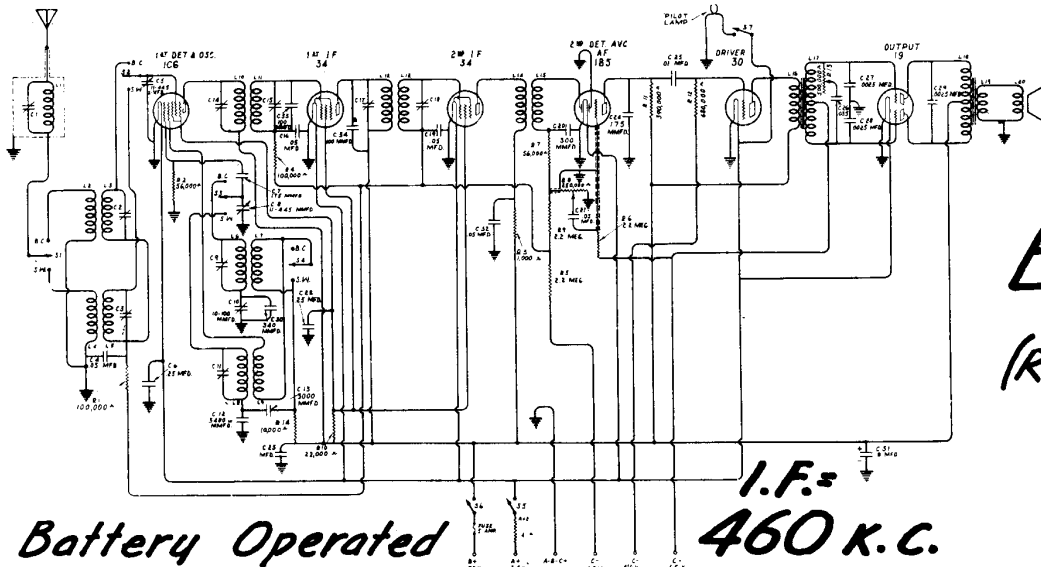
**Battery Operated**

These instruments are similar to the Models A-4B and A-4CB except for several modifications. The major differences include:

Rearrangement of volume control circuit - A semi-airplane type dial is used with a 6 to 1 ratio between the tuning knob and condenser drive shaft, and the battery cables are adapted for the use of the new type

plug-in "B" batteries.

The intermediate frequency remains at 460 k.c. The antenna and oscillator coils are to be aligned only at 1400 kc. Refer to the A-4B and A-4CB Service Notes for the description of electrical circuit and service data.



**Battery Operated**

**I.F. =  
460 K.C.**

**C.G.E.  
Models -  
E-6-B  
E-6-CB**

(R.C.A. Victor  
Models -  
B-T-6-1  
B-C-6-1)

These instruments are similar to the Models A-6B and A-6CB, except for several circuit modifications. The major differences include: A more efficient oscillator circuit; The redesign of the 1st and 2nd I.F. transformers so as to obtain better fidelity of reproduction; The insertion of a filter in the 2nd I.F. plate circuit to reduce regeneration; The reduction of the screen grid voltages on the R.F. section of the circuit so as to increase sensitivity, and to obtain better A.V.C. action; The addition of a tone control and pilot light; The reduction of "B" battery current drain, and the adaption of the battery cables for use with the new type plug-in batteries.

Refer to the Service Notes for the Models A-6B and A-6CB to obtain the electrical specifications, description of electric circuit, and service data.

It is very important that only the special .060 ampere pilot lamp be used; otherwise, the "A" battery current drain will be excessive.

**DATA SHEET**

COURTESY -  
**C.G.E.-13.**  
CO. LTD.