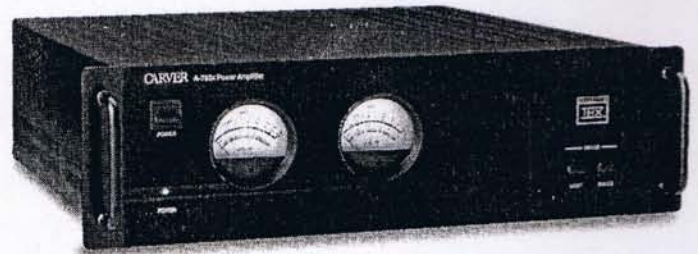


CARVER

A-760x
A-760x
A-760x
A-760x
A-760x
A-760x
A-760x
A-760x
A-760x
A-760x
A-760x



A-760x
Magnified Current™
THX® Stereo Power Amplifier
Schematics & Parts Lists

CARVER

CARVER Corporation

SHIP TO:

20121 48th Ave. West
Lynnwood Wa. 98036
(206) 775-6245

MAIL TO:

P.O. Box 1237
Lynnwood Wa. 98046-1237

Published by:

CARVER Corporation
20121 48th Avenue West
Lynnwood, WA 98036
(206) 775-6245

© 1997 Carver Corporation.
All rights reserved.
Printed in Japan.

No part of this publication may be reproduced, stored in a data base or retrieval system, or transmitted in any form by any means electronic, mechanical, photocopying, recording or otherwise, without the prior written permission of the CARVER Corporation.

SAFETY INFORMATION

WARNING.

Any person performing the procedures described in this manual will be exposed to hazardous voltages and the risk of electric shock.

Carver Corporation assumes that any person who removes the cover from the unit has been properly trained in protecting against avoidable injury and shock.

Therefore, the procedures described here are to be performed by qualified electronics service personnel only.

We recommend that the unit be tested only when line isolation is provided by an isolation transformer. The line cord of the unit must be disconnected and the power supply fully discharged before any components are replaced. Failure to do so may result in severe damage to the unit and the risk of electric shock.

The safety tests described below must be performed properly.

CAUTION:

Before returning the unit to the customer, one of the following safety tests must be performed.

1. Check the leakage current. Connect the unit to 120 VAC supply and turn the power switch "ON". Using an ammeter, measure the current between the neutral side of the AC supply and chassis ground of the unit under test. If leakage current exceeds 0.5mA, the unit is defective.
Reverse the polarity of the AC supply and repeat.
2. Measure the resistance from either side of the linecord to chassis ground. If it is less than 500k ohms, the unit is defective.

WARNING - DO NOT return the unit to the customer if it fails one of these tests until the problem is located and corrected.

CAUTION

	CAUTION RISK OF ELECTRIC SHOCK DO NOT OPEN	
CAUTION: TO REDUCE THE RISK OF ELECTRIC SHOCK DO NOT REMOVE COVER (OR BACK) NO USER-SERVICEABLE PARTS INSIDE REFER SERVICING TO QUALIFIED PERSONNEL		



The lightning flash with arrowhead symbol within an equilateral triangle is intended to alert the user to the presence of uninsulated "dangerous voltage" within the product's enclosure, that may be of sufficient magnitude to constitute a risk of electric shock to persons.



The exclamation point within an equilateral triangle is intended to alert the user of the presence of important operating and maintenance (servicing) instructions in the literature accompanying the appliance.

Specifications

Power Output:

Stereo operation:

Power FTC 20Hz-20kHz, 8 ohm
380 watts per channel with < 0.08% THD
600 watts per channel into 4 ohms
1150 watts per channel into 2 ohms
(IHF dynamic power)

Bridged mono operation:

1200 watts into 8 ohms

Dynamic Headroom:

> 1.0dB @ 8 ohms both channels driven

Frequency Response: 20 Hz to 20 kHz
(+0,-0.2 dB)

Separation: > 70 dB @ 1kHz

Damping Factor: > 150
from less than 20Hz to greater than 20kHz

Input Impedance: 47 kohms

Sensitivity:
Per THX standard:
1.0V rms input for 100W output into 8 ohms
1.96V rms for rated power into 8 ohms @ 1 kHz

Gain: 29.0 dB (+/- 0.5dB)

Input-to-Output Phase: 0° ($\pm 10^\circ$)

IM Distortion:

SMPTE < 0.03%
CCIF < 0.01%

THD: < 0.08%

Signal-to-Noise Ratio: > 119 dB
A-weighted, referenced to rated power
> 95 dBW
A-weighted, referenced to 1W

Power Consumption:

50W at idle
600W with musical program
1245W at full power into 8 Ω (continuous)

Power Requirements:

120VAC/60Hz (USA and Canada)
Other voltages as required for export

Display:

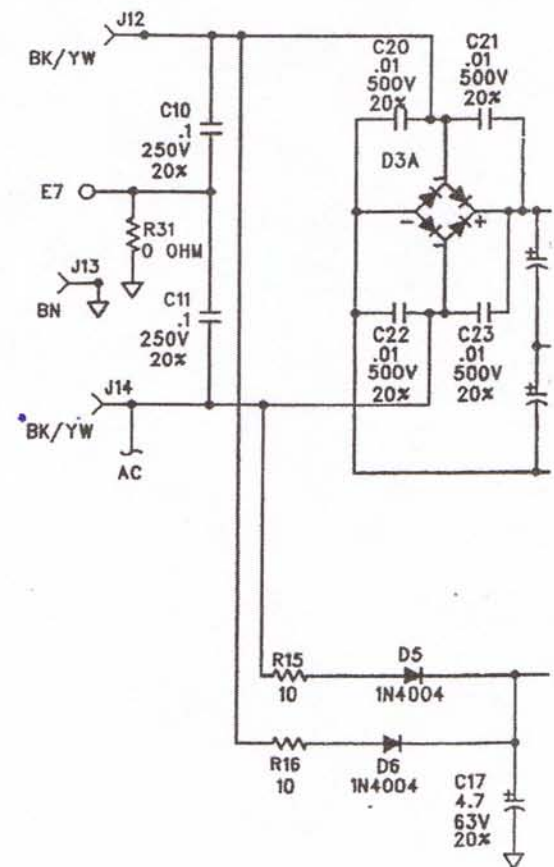
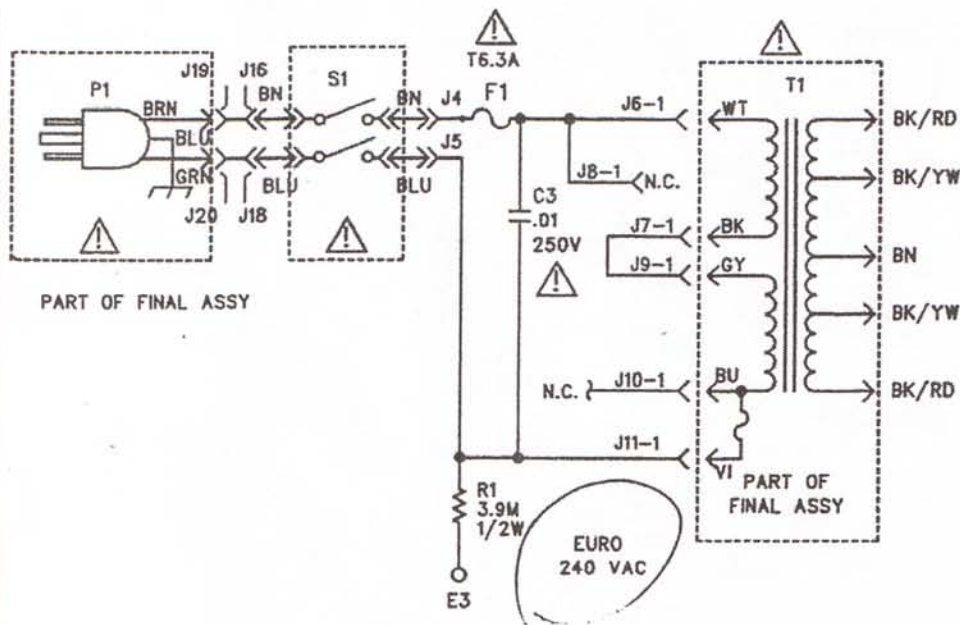
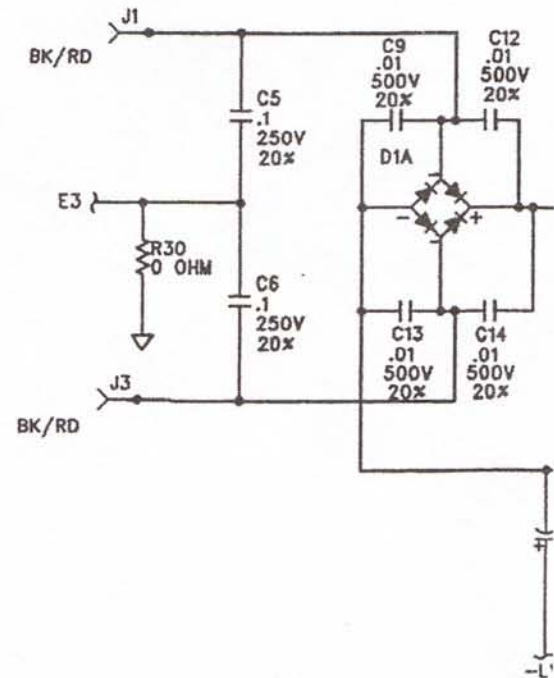
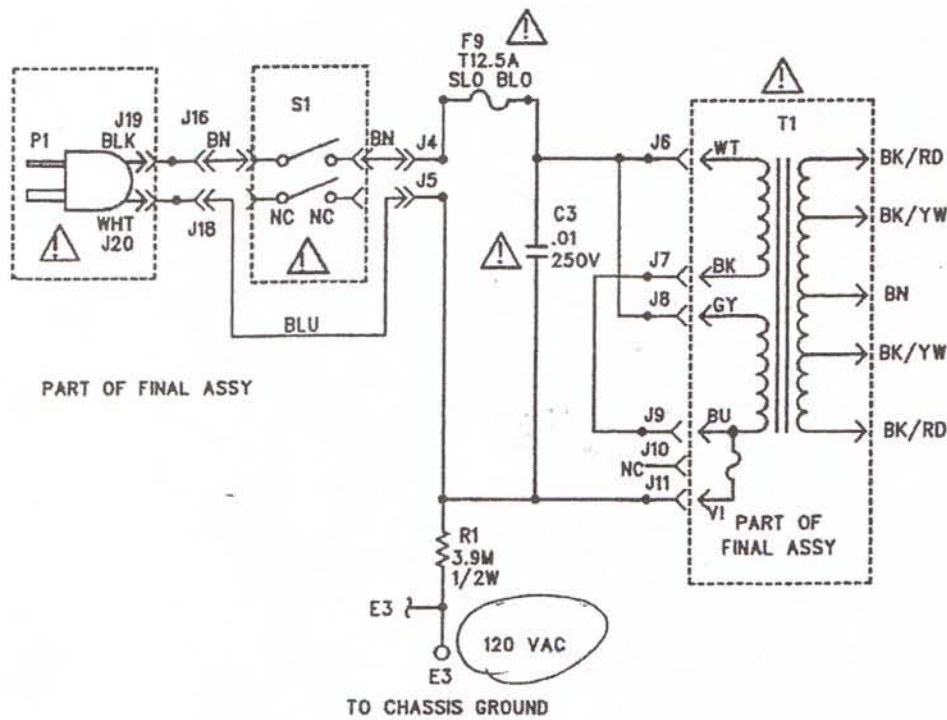
2 Analog Meters;
0dB = 380 watts into 8 Ω
or 38 watts into 8 Ω (x10 range)

Size (H x W x D): 5.75" x 19" x 18.8"
146mm x 483mm x 478mm
with handles
5.75" x 17" x 17.8"
146mm x 432mm x 452mm
without handles

Net Weight: 39 lbs. (17.7 kgs)

Shipping Weight: 43 lbs. (19.4 kgs)

Features and specifications are subject to
change without notice.



5 C7/8/15/16 ARE 50V ON A-500X, 63V ON A-760X.

4. FOR M1 AND M2 USE 112-30008-01 ON A-500X, 112-30011-02 ON A-760X.

3. SAFETY CRITICAL. REPLACE WITH FACTORY AUTHORIZED PARTS ONLY.

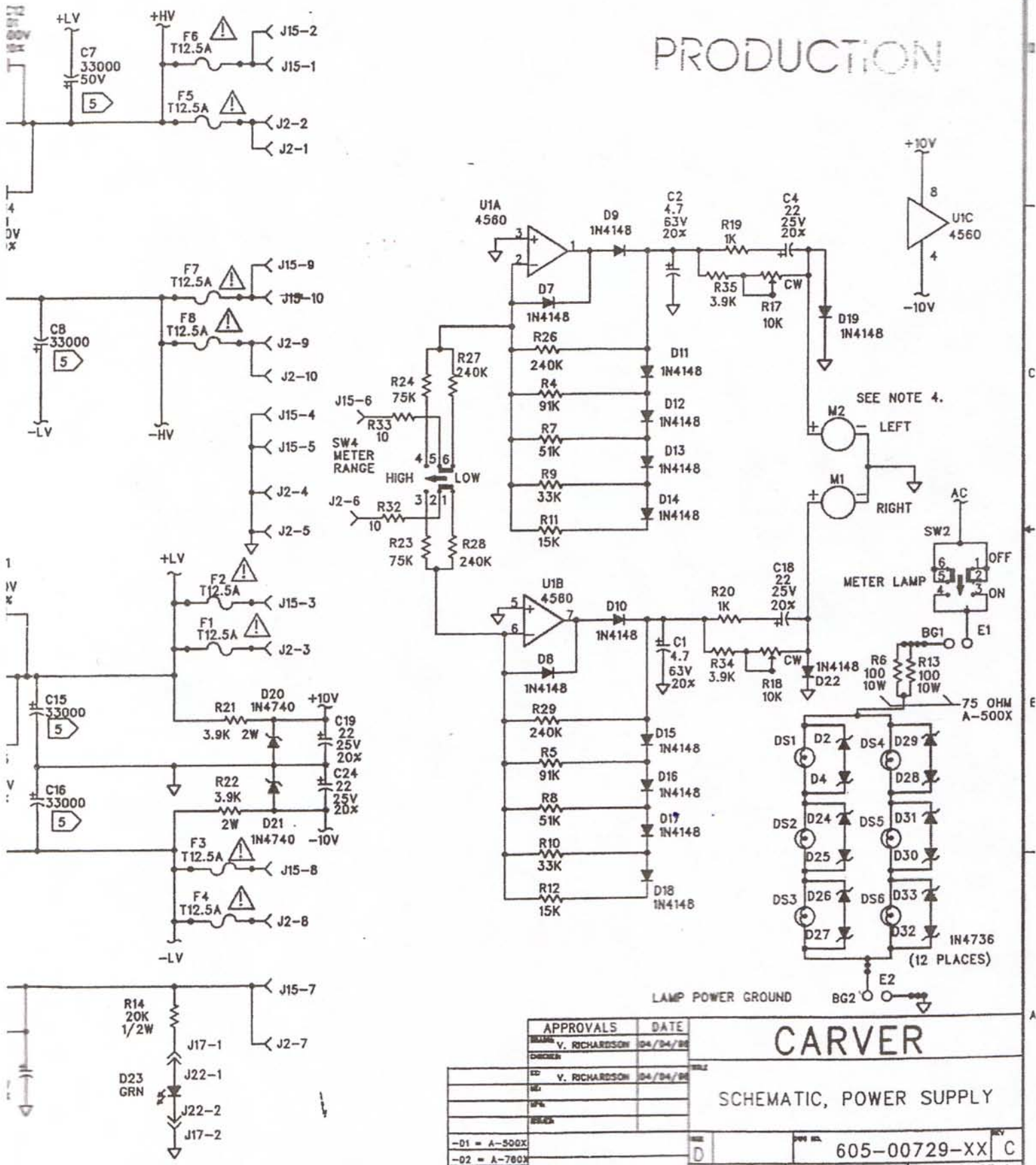
2. ALL CAPACITORS ARE IN MICROFARADS 10X, 100V.

1. ALL RESISTORS ARE IN OHMS, 1/4W, 5X

NOTES: UNLESS OTHERWISE SPECIFIED.

ZONE	REV	DESCRIPTION	DATE	APPROVED
A		PRODUCTION RELEASE		
B		INC ECO 4241		
C		INC ECO 4248		

PRODUCTION

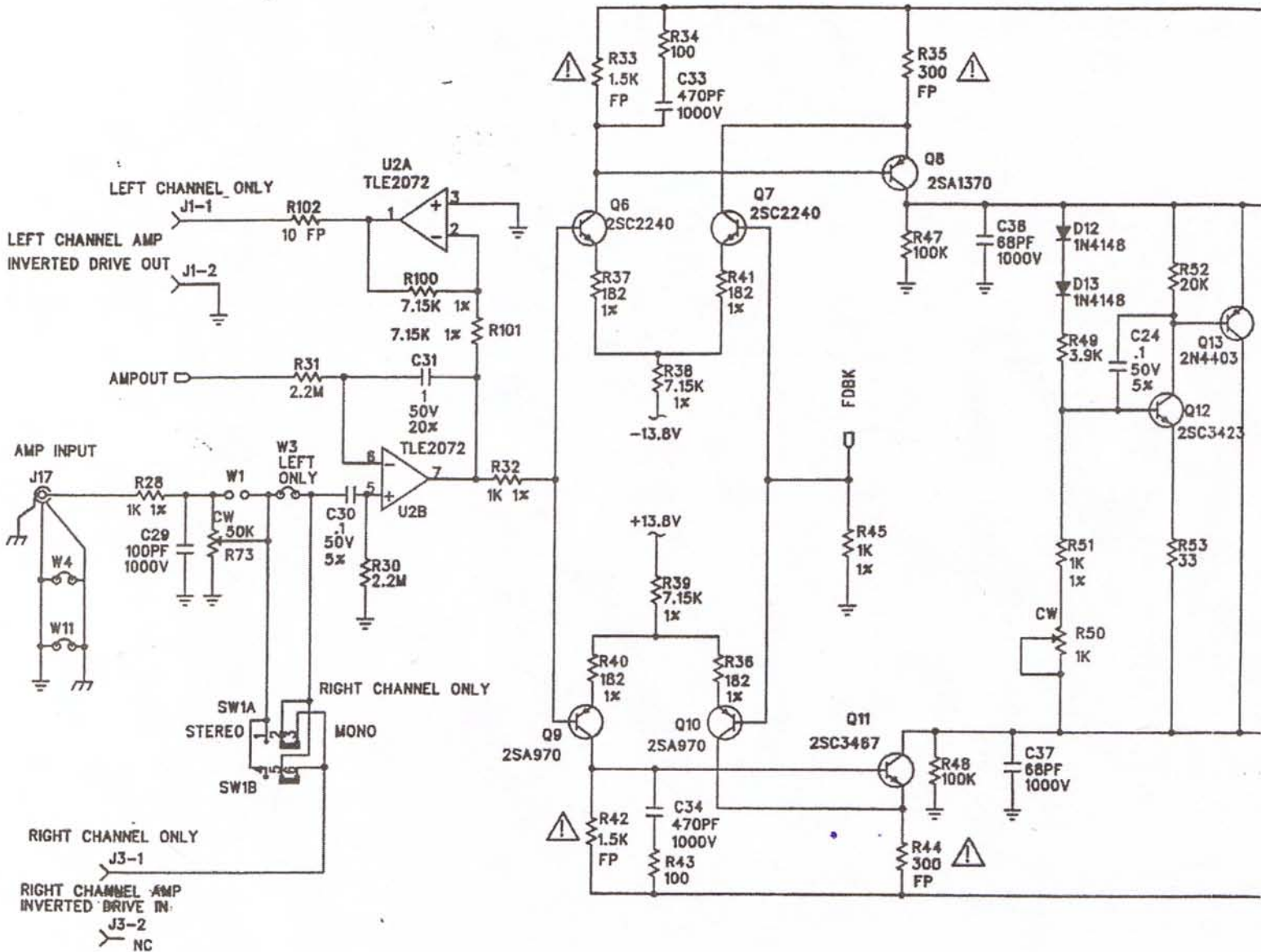


CARVER

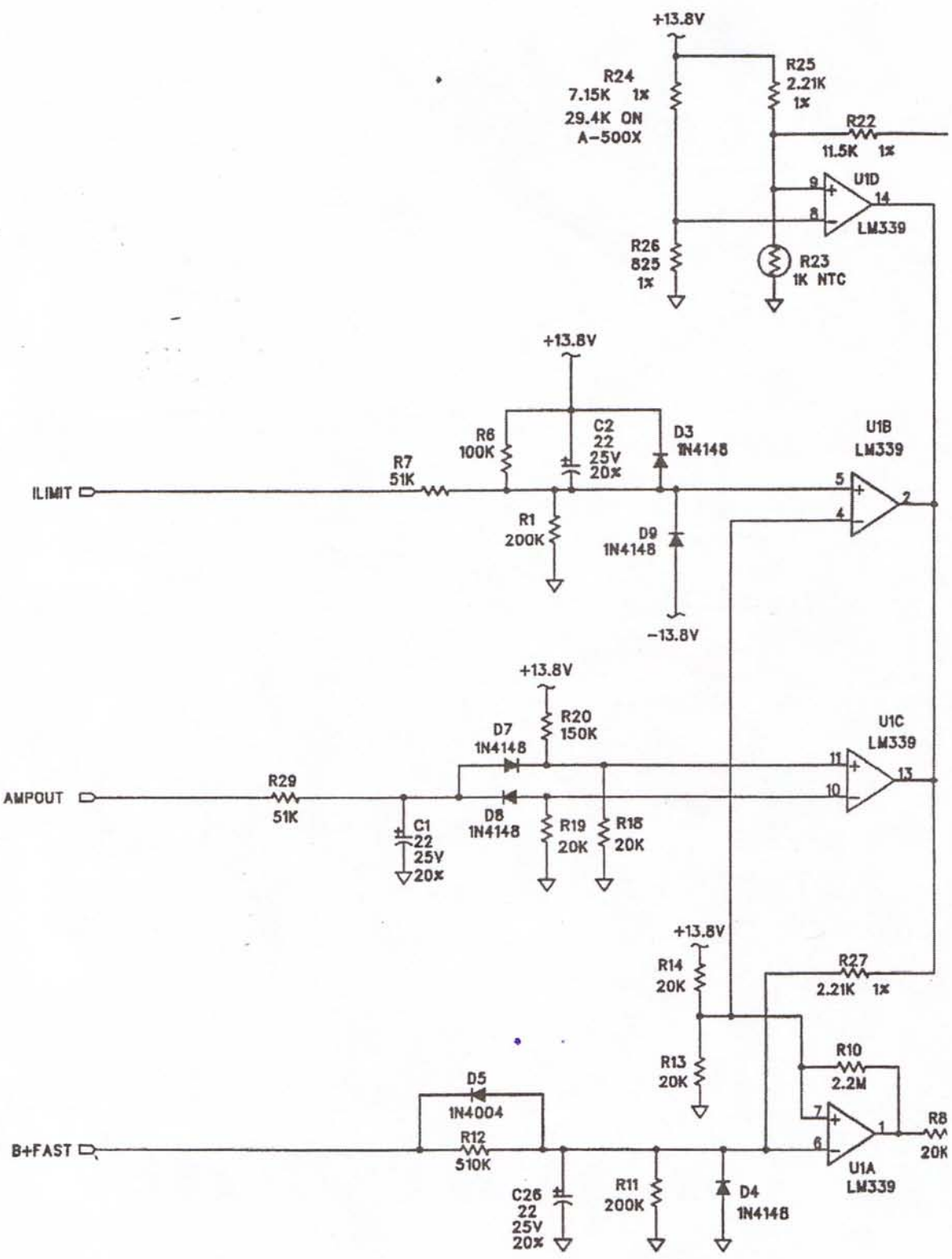
SCHEMATIC, POWER SUPPLY

APPROVALS	DATE
DESIGNED BY V. RICHARDSON	04/24/88
CHECKED BY	
ED BY V. RICHARDSON	04/24/88
APP'D BY	
ISSUED BY	

REV	D	ISSUE NO.	605-00729-XX	REV	C
SCALE:	X	SHEET:	1 OF 1		

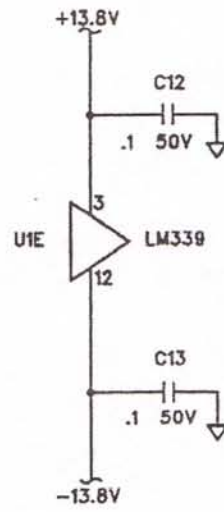
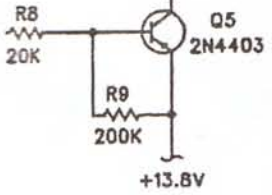
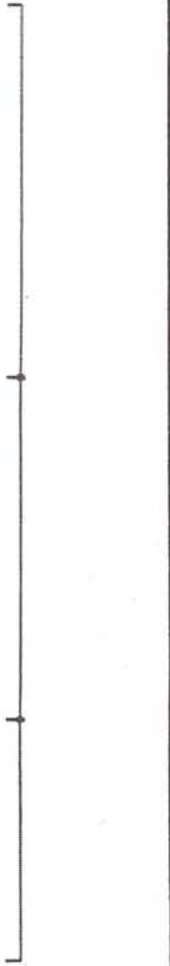


AMPLIFIER CHANNEL



PROTECT AND METER DRIVE

RYDRV



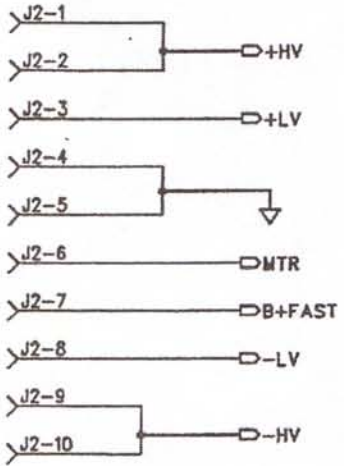
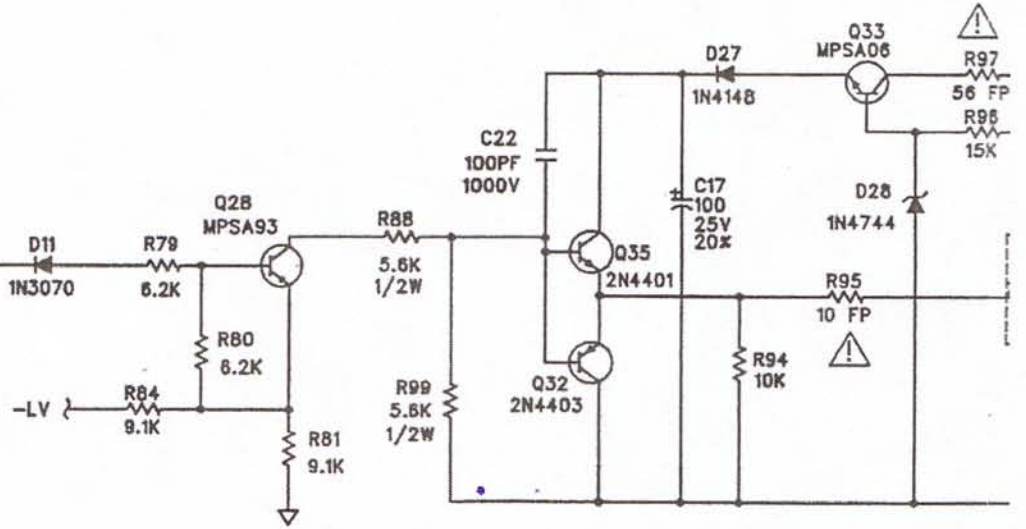
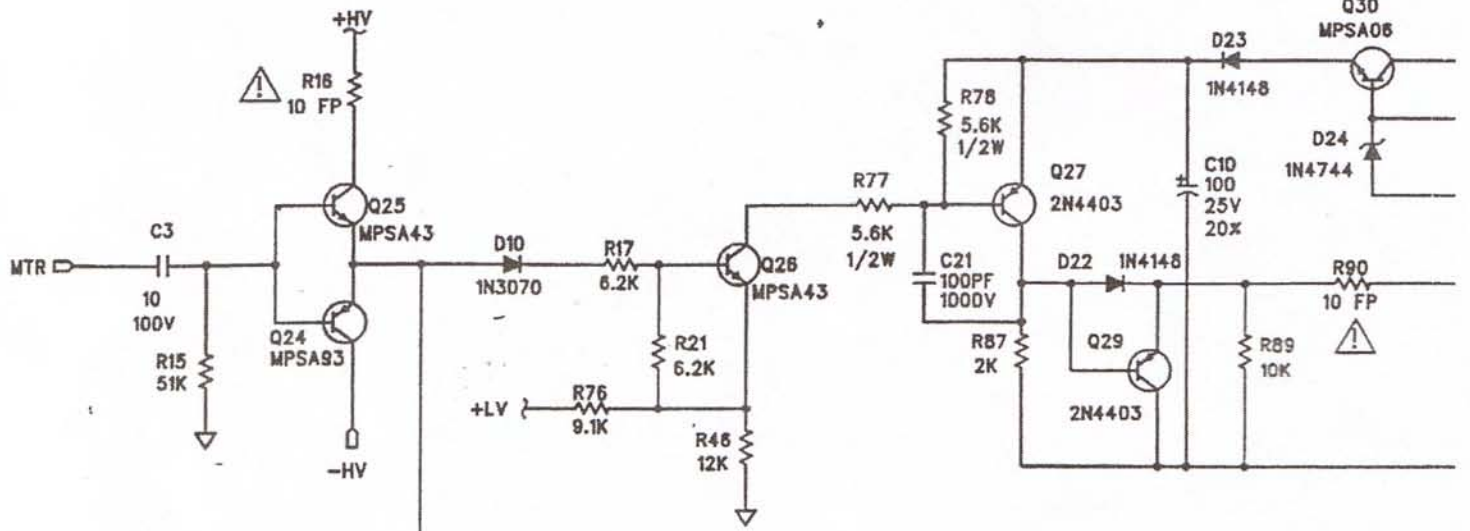
CARVER		
SIZE D	DWG NO. 605-00728-XX	REV H
SCALE: NONE	SHEET 2	

4

3

2

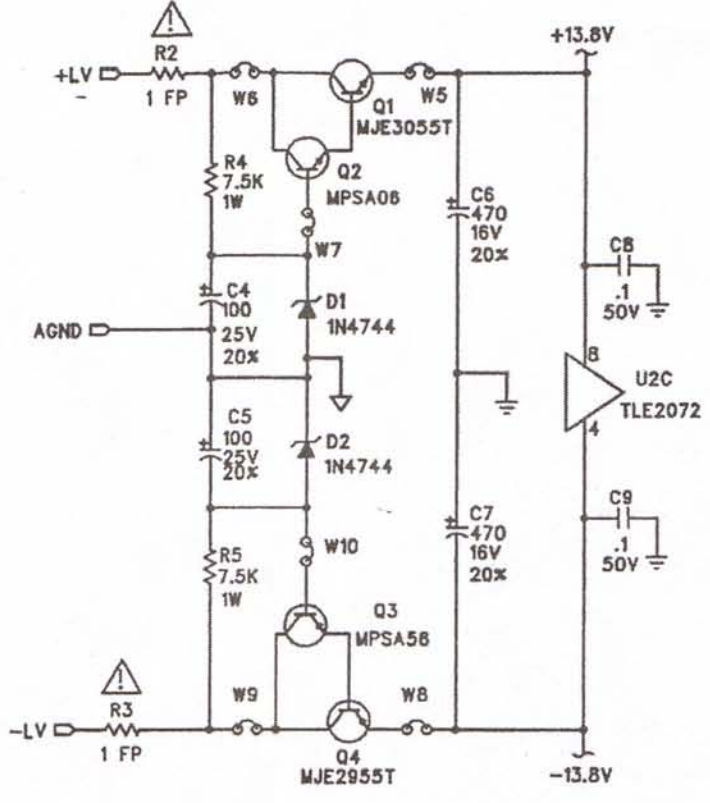
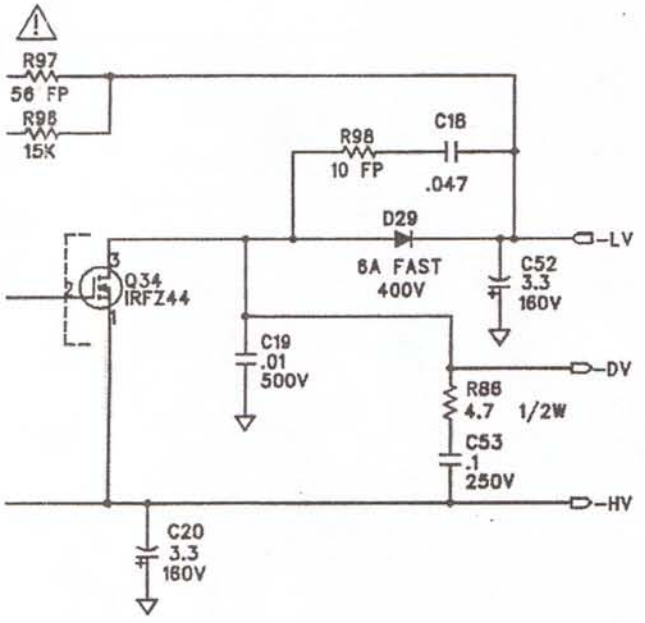
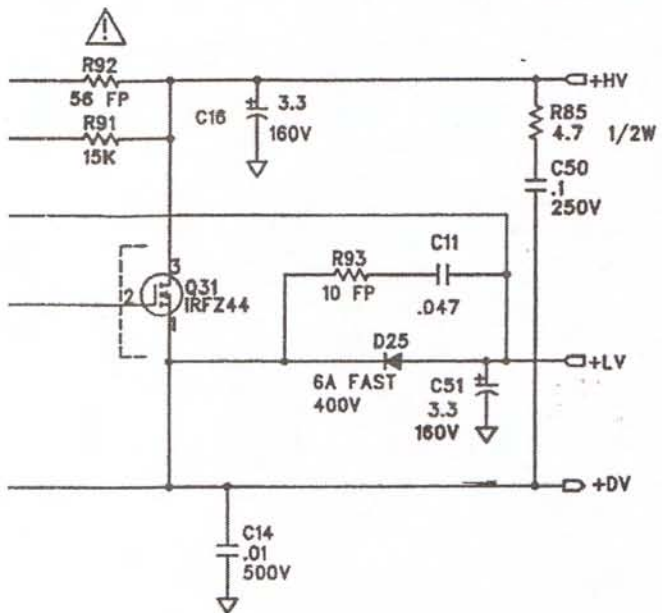
1



POWER SUPPLY COMMUTATOR

PRODUCTION

DWG NO. 605-00728-XX		REV 1	REV H	1
REVISIONS				
ZONE	REV	DESCRIPTION	DATE	APPROVED
A		PRODUCTION RELEASE		
B		INC ECD 4221	DB 8/18/98	DB
C		INC ECD 4237	DB	
D		INC ECD 4281	DB	
E		INC ECD 4288	DB	
F		INC ECD 4308	DB	
G		INC ECD 4334	DB	
H		INC ECD 4368	MM 7/9/97	



- 6. R54 AND R55 ARE:
6.2K 1/4W ON THE A-760X AND
3.3K 1/2W ON THE A-500X.
- 5. 605-XXXX-01 IS A-500X LA, -02 IS A500X RA,
-03 IS A-760X LA, -04 IS A-760X RA.

- * 4. USED ON A-760X ONLY
 - 3. SAFETY CRITICAL. REPLACE WITH
FACTORY AUTHORIZED PARTS ONLY.
 - 2. ALL CAPACITORS ARE IN MICROFARADS
10x, 100V.
 - 1. ALL RESISTORS IN OHMS, 1/4W, 5x
- NOTES: UNLESS OTHERWISE SPECIFIED.

E1

APPROVALS		DATE	CARVER TITLE A-500X/760X SCHEMATIC DIAGRAM AMPLIFIER MODULE
DRAWN: VR		04/04/98	
CHECKED: ---			
EE: VR		04/04/98	
ME: J. COY		7/23/98	
MFG: KAMINSKI		7/23/98	
ISSUED: BUTLER		8/98	
A-500X		SIZE D	DWG NO. 605-00728-XX
A-760X		SCALE: NONE	REV H
USED ON			SHEET 1 OF 3

PARTS ORDERING

Please provide the Model numbers of the units involved when ordering genuine CARVER replacement parts. Also provide the CARVER part number and the generic part number to confirm the correct part needed.

The Carver Parts Department is open Monday thru Friday, 7:00 a.m. to 4:45 p.m. PST.

The following phone number is to be used for part orders only!

Technical assistance is not available on this line.

1-800-433-0547

Or if you prefer to FAX in your part order, please use the following FAX number:

1-206-775-9180

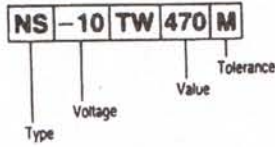
From time to time, when it is necessary, we may make a substitution for the original part ordered, due to circuit revisions or part availability.

Random deviation from the original CARVER designated part is not recommended!

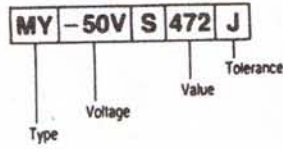
Complete PCB replacement is not recommended. You must have prior approval for warranty repair should PCB replacement be necessary.

Capacitors Description

• Electrolytic



• Mylar · Styrol



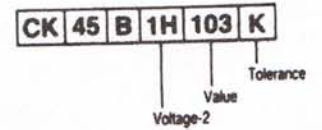
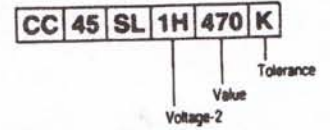
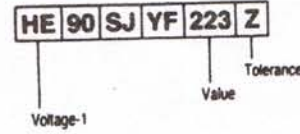
• Electrolytic

Type	Voltage	Value	Tolerance
LL: Low Leak	-10: 10V	R47: 0.47 μ F	K: $\pm 10\%$
NP: Non-Pole	-50: 50V	4R7: 4.7 μ F	M: $\pm 20\%$
NS: Standard	6R3: 6.3V	470: 47 μ F	
		471: 470 μ F	
		472: 4700 μ F	

• Mylar · Styrol

Type	Voltage	Value	Tolerance
MY: Mylar	-25V: 25V	4R7: 4.7pF	G: $\pm 2\%$
ST: Styrol	125V: 125V	470: 47pF	J: $\pm 5\%$
	-63T: 63V	471: 470pF	K: $\pm 10\%$
		472: 4700pF	M: $\pm 20\%$
		473: 0.047 μ F	
		474: 0.47 μ F	
		(1000pF=0.001 μ F)	

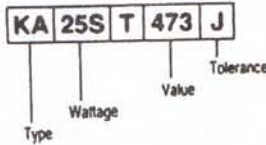
• Ceramic



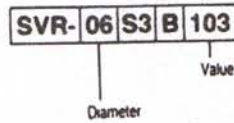
Voltage-1	Voltage-2	Value	Tolerance
HC: 25V	1E: 25V	4R7: 4.7pF	C: $\pm 0.25\text{pF}$
HE: 50V	1H: 50V	470: 47pF	D: $\pm 0.5\text{pF}$
H: 100V	2H: 500V	471: 470pF	F: $\pm 1\text{pF}$
HK: 250V		472: 4700pF	J: $\pm 5\%$
HM: 500V		473: 0.047 μ F	K: $\pm 10\%$
		474: 0.47 μ F	M: $\pm 20\%$
		(1000pF=0.001 μ F)	Z: +80~-20%

Resistors Description

• Fixed



• Semi-Variable



Type	Wattage	Value	Tolerance	Diameter
CE: Cement Case	-2W: 2W	R47: 0.47 Ω	M: $\pm 20\%$	08: 8 ϕ
FR: Flame Proof	10W: 10W	4R7: 4.7 Ω	K: $\pm 10\%$	10: 10 ϕ
KA: Carbon	16S: 1/6W	470: 47 Ω	J: $\pm 5\%$	06: 6 ϕ
MF: Metal Film	20S: 1/5W	471: 470 Ω	G: $\pm 2\%$	
RF: Fusible	25S: 1/4W	472: 4.7k Ω	F: $\pm 1\%$	
SA: Metal Oxide	50S: 1/2W	473: 47k Ω	D: $\pm 0.5\%$	
	50X: 1/2W	474: 470k Ω		
	S3W: 3W	475: 4.7M Ω		

Indented Bills of Material (CVR

512-00008-01	SPACER,END,ELASTO,FILLER,3U	
532-10002-00	BAG,4X6,PLASTIC	USE FOR PLASTIC END FILLER
530-20029-00	LABEL,CITY OF LA APPROVED	ADD IN FINAL ASSY
530-20101-00	STICKER,3X5 BOX LABELS	
532-10020-01	BAG,28X42,PLASTIC	
532-20142-01	BOXES PKG,BOX,3U	
532-30076-01	FOAM PKG,FOAM,CORNER,3U	
- 607-00791-03	ASSY FINAL,A-760X	
101-30007-01	MOUNT,XFORMER,ISOLATION	XFORMER MOUNTING
105-30007-01	FOOT,1.96DX.64H	
118-90007-00	STR REL,16/3X18/3,MCT .063 SJT	
151-10131-03	SCREW,SM,2.9X9.5MM,PP,BRIGHT	
151-20160-12	SCREW,MACH,10-32X3/4,PP,BLK	TRANSFORMER
151-20103-00	SCREW, MACH, 8-32X1/2, PP, BLK	W/HANDLES
159-20003-00	RIVET,5/32D 1/4L,POP	FEET
151-30107-04	SCREW,SM,6X1/4 "B",PP,SERR,BLK	
151-30107-03	SCREW,SM 6X3/8"B",PP,SERR,BLK	
151-30169-01	SCREW,SEMS,6-32X1/4,BLK	
151-31057-00	SCREW,TDRL,6-32X3/8,FHP100D,BLK	
152-10002-00	NUT, LOCK, 6-32X5/16, ZINC	TOP COVER PLUG W/110
154-10251-00	WSHR, FLAT, .25X.625, SAE BLK	XFMR MTG
154-10058-00	WSHR,#7,FLAT,ZINC	FEET
154-20001-00	WSHR, INT LK CAD, #4, PLATED	USE WITH ITEM 20
159-50001-01	TYRAP,3/38",BLK	
160-20500-05	FASTON,16-14GA,.187,BLU	
318-20006-01	SW,ROCKER,DPST,16A,FASTON	S1
401-90023-01	LC,16/2,PLZD-CSA/UL APRD	P1
403-10018-00	SEALANT,SILICONE RTV 2.8 OUNCE	USE FOR BEXEL INSTALLATION
403-20010-01	LACQUER,INSECTION ORANGE	
403-40030-02	TAPE D BCK 1/4" SCOTCH 976 2ML	
502-00083-01	CHASSIS,A-753X	
503-00098-01	PANEL,REAR,A-760X	
503-00095-03	PANEL,FRONT,A-760X	
503-00094-01	BEZEL,METER,A760X/500X	
504-00069-01	COVER,A-753X	
507-00006-01	BRACKET,HANDLE	
507-00124-03	BRACKET,STIFFNER	
507-00126-01	BRKT,CAP,A-753X	
508-20038-01	KNOB,DISPLAY BOARD	
508-20043-01	BUTTON,OBROUND,BLACK	W/FRONT PANEL
509-20009-01	FERRULE,.275DIA,ABS,BLACK	
510-20017-02	HNDL,.945H,.275D,3.5W	
530-10146-00	LABEL,FUSE WARNING	
530-20100-00	STICKER,SERIAL # BLANKS	
550-00072-05	CBL ASSY,16GA,TEW,8",BLU	S1 TO J5
550-00072-08	CBL,16GA,TEW,6",BRN	S1 TO J4
550-00073-02	HARN,CONN .1,6"	
- 602-00731-03	CCA,POWER BD,A-760X	
105-40018-01	CLIP, FUSE,PCB,2AG	F1,4-5,4-13
112-30011-02	METER,750W,SCALE	M1,2
115-60000-00	CONN,.250 QD TAB,PCB	J1,3-14
118-80039-07	SPACER,PUSH,75X.187,NYLON	PCB3-5
119-20037-01	TERM,PC MOUNT	BG3-9
151-20106-00	SCREW, MACH, 8-32X3/4, PP, BLK	W C7,8,15,16
151-20151-01	SCREW,MACH,10-32X1/4,PP,ZC	W C7,8,15,16
151-30169-01	SCREW,SEMS,6-32X1/4,BLK	

Indented Bills of Material (CVR

152-10003-00	NUT,LOCK,8X11/32,ZC	
154-20151-02	WSHR, INT LOCK, #10, CAD PLTD	
160-40008-10	RCPT, 10 POS, TOP ENTRY,.156 TIN	J2,21
201-00035-00	CAP,.01UF,250VAC,UL/CSA,CER	C3
205-00005-02	CAP,4.7UF,63V,20%,LYTIC	C17,27,29
205-00011-02	CAP,22UF,25V,20%,LYTIC,RAD	C19,24,28,30-32
205-00220-00	CAP,33000UF,63V.20%,LYTIC	C15,16,7,8
207-10003-00	CAP,.1UF,250V,20%,MPOLY	C10,11,5,6
259-30016-02	POT,TRIM,10K,RT ANG	R42,51
260-50102-04A	RES,1K,5%,1/4W,CF	R43,52
260-50392-04A	RES,3.9K,5%,1/4W,CF	R46,54
260-50104-04A	RES,100K,5%,1/4W,CF	R27
260-50153-04A	RES,15K,5%,1/4W,CF	R40,50
- 260-50203-05A	RES,20K,5%,1/2W,CF	R14
260-50203-05I	RES,20K,5%,1/2W,CF,1.0	
260-50244-04A	RES,240K,5%,1/4W,CF	R45,53
260-50333-04A	RES,33K,5%,1/4W,CF	R39,49
260-50513-04A	RES,51K,5%,1/4W,CF	R38,48
260-50913-04A	RES,91K,5%,1/4W,CF	R37,47
262-31502-04A	RES,15K,1%,1/4W,MF	R18,24
262-32213-04A	RES,221K,1%,1/4W,MF	R19,26
262-34531-04A	RES,4.53K,1%,1/4W,MF	R12,20
262-35901-04A	RES,5.9K,1%,1/4W,MF	R17,23
- 263-50222-08A	RES,2.2K,5%,2W,MO,AX	R21,22
263-50222-08I	RES,2.2K,5%,2W,MO,1.0,AX LG	
264-50121-0GA	RES,120 OHM, 10W, 10%, 2.3	
264-60121-0GA	RES,120 OHM,10%,10W,WW	
266-50107-04A	RES,1 OHM,5%,1/4W,FUSIBLE	R15,16,55
315-16007-01	FUSE,METRIC,12.5A, SLOW BLOW	F1,4-5,8-13
318-10029-01	SW,PUSHBUTTON,STR,DPDT	SW2,3
319-00065-01	BR.RECT,25A,400V	D1,3
320-20001-00	DIODE,1N4148,75V	D41-54
320-20004-00	DIODE,1N4004,400V	D5,6
320-30004-00	DIODE,ZENER,1N4736A,6.8V,UNPRP	D2,4,7-9,10-16
320-30006-00	DIODE,ZENER,1N4738A,8,2V,UNPRP	D20,21
320-40004-00	LED,GREEN,HIGH EFFICIENCY	D23
320-50011-01	LAMP,12V PIGTAIL,.10A	DS10-15
330-30010-00	IC,BA4560,DUAL OP AMP	U2,3
330-30037-01	IC,14066,SWITCH	U4
401-10724-02	CBL,RIBBON,22GA,2COND,4"	J17 TO J22
401-20003-00	WIRE,BUSS,22GA,SPOOL	•W2,4
501-00731-01	PCB,A753X,POWER BOARD	
511-00031-01	HTSK,DUAL STACK,BRIDGE	D1,3
- 603-00734-03	ASSY,AMP II MOD,760 LEFT	
118-61033-01	SPCR,PUSH-IN,MINI,.250L	
151-20182-06	SCREW,MACH,4-40X3/8,W/WSHR	with transistors
151-31058-03	SCREW, THD, RLD PP, 6-32X1/2, ZN	PCB MNTG
154-40013-01	WSHR,#4,SHLDR,.252X.093,NYL	
321-30013-00	TR,2SC3281-0,TO3P(L) NPN PWR	Q20,22,36,37,38
321-30014-00	TR,2SA1302-0,TO3P(L) PNP PWR	Q21,23,39,40,41
321-60000-00	TR,MJE3055T,TO220 NPN PWR	Q1
321-60002-00	TR,MJE2955T,TO220 PNP PWR	Q4
321-60035-01	TR,TO220,2SA1837,PNP	Q19
321-60036-01	TR,TO220,2SC4793,NPN	Q18
321-90001-00	XISTOR,2SC3423-Y,B100,NPN	Q12
403-20001-00	THERMALCOTE,#2502OZ	W/R23

Indented Bills of Material (CVR

508-00044-01	SHAFT, TRIM POT	W/R73
511-00027-01	HEATSINK	
511-00029-01	HTSK,A760X,EXTRUSION	
512-10660-01	SIL PAD	
512-10661-01	SIL PAD,A760X	
- 602-00734-03	CCA,AMPII,LEFT,A-760	
107-00106-01	HEATSINK,TO-220,VERT,.95	H1,2 W/Q31,34
109-10037-01	JACK, PHONE, RT ANG	J17
115-30020-01	POST,BINDING,DUAL,RT ANG.	J16
118-61011-03	SPACER,.250D X .14ID,SNK .250L	
119-20035-01	TEST POINT	TP1
151-20002-00	SCRW, MACH PP 4-40X3/8 BLK WAX	
152-10001-00	NUT, KEPNUT, 4-40, ZINC	
160-30024-00	HEADER, 2 PIN, .1 LOCK ST POST	J1
160-30076-10	HEADER, 10 PIN, .156 CTR RA	J2
201-00005-00	CAP,27PF,1000V,10%,CER	C42,47
201-00009-00	CAP,68PF,1000V,10%,CER	C37,38,40,41
201-00012-00	CAP,100 PF,1000V,10%,CER DISC	C21,22,29
201-00023-00	CAP,470PF,1000V,10%,CER	C33,34
201-00034-02	CAP,.01UF,500V,20%,CER	C14,15,19,25
201-00130-299	CAP,.01UF,10%,CER,AX	W2
201-00047-00	CAP,.1 UF,50V,10%,CER DIP	C8,9,12,13,32
204-00015-00	CAP,.01UF,100V,10%,POLY,RAD	C48,49
204-00017-00	CAP,.015 UF,100V,10%,PLYFLM	C28
204-00024-00	CAP,.047 UF,100V,10%,PLYFLM	C11,18
204-00146-00	CAP,.1UF,50V,5%,MTL FLM	C24,30
204-00157-00	CAP,1 UF,50V,5%,MTL FLM	C31
205-00011-02	CAP,22UF,25V,20%,LYTIC,RAD	C1,2,26,39
205-00016-02	CAP.100UF,25V,20%,LYTIC,RAD	C4,5,10,17
205-00021-00	CAP,470UF,16V,20%,LYTIC,RAD	C6,7
205-00078-00	CAP,3.3UF,160V,LYTIC,RAD	C16,20,51,52
205-00208-00	CAP,10UF,100V,NP,LYTIC,RAD	C3
207-10003-00	CAP,.1UF,250V,20%,MPOLY	C43,50,53
256-30001-01	THERMISTOR,1000 OHM, 1/2W, 5%,NTC	R23
259-20035-01	POT, TRIM,50K,VERT MNT	R73
259-30007-01	POT,1K,RIGHT ANGLE MINI	R50
260-50101-04A	RES,100 OHM,5%,1/4W,CF	R34,43,82,83
260-50103-04A	RES,10K,5%,1/4W,CF	R89,94
260-50104-04A	RES,100K,5%,1/4W,CF	R6,47,48
260-50123-04A	RES,12K,5%,1/4W,CF	R46
260-50153-04A	RES,15K,5%,1/4W,CF	R91,96
260-50154-04A	RES,150K,5%,1/4W,CF	R20
260-50202-04A	RES,2K,5%,1/4W,CF	R87
260-50203-04A	RES,20K,5%,1/4W,CF	R8,13,14,18,19,52
260-50204-04A	RES,200K,5%,1/4W,CF	R1,9,11
260-50225-04A	RES,2.2M,5%,1/4W,CF	R10,30,31
260-50330-04A	RES,33 OHM,5%,1/4W,CF	R53
260-50392-04A	RES,3.9K,5%,1/4W,CF	R49
260-50477-05A	RES,4.7OHM,5%,1/2W,CF	R85,86
260-50513-04A	RES,51K,5%,1/4W,CF	R7,15,29
260-50514-04A	RES,510K,5%,1/4W,CF	R12
260-50562-05A	RES,5.6K,5%,1/2W,CF	R77,78,88,99
260-50622-04A	RES,6.2K,5%,1/4W,CF	R17,21,79,80
260-50912-04A	RES,9.1K,5%,1/4W,CF	R76,81,84
262-31001-04A	RES,1K,1%,1/4W,MF	R28,32,45,51
262-31152-04A	RES,11.5K,1%,1/4W,MF	R22

Indented Bills of Material (CVR

262-31820-04A	RES,182OHM,1%,1/4W,MF	R36,37,40,41
262-32211-04A	RES,2.21K,1%,1/4W,MF	R25,27
262-35762-04A	RES,57.6K,1%,1/4W,MF	R70,72
262-37151-04A	RES,7.15K,1%,1/4W,MF	R24,38,39,100,101
262-38250-04A	RES,825 OHM,1%,1/4W,MF	R26
- 263-50752-07A	RES,7.5K,1W,MO	R4,5
263-50752-07F	RES,7.5K,5%,1W,MF,.7	
- 264-50228-0BA	RES,.22OHM,5%,5W,WW AX	R64,65,68,69,104,105,106,113,114,115
264-50228-0BI	RES,.22 OHM,5%,5W,WW.1.0,AX	
- 263-50477-08A	RES,4.7 OHM,2W,MO,AX	R71
263-50477-08I	RES,4.7 OHM,5%,2W MO,1.	
263-50477-08G	RES,4.7 OHM,FUSIBLEL,5%,2W,MO,.8 AX	
266-50100-04A	RES,10 OHM,5%,1/4W,FUSIBLE,MO	
266-50101-04A	RES,100 OHM,5%,1/4W,FUSIBLE	R56,57
266-50101-05A	RES,100 OHM,5%,1/2W,FUSIBLE	R59,117
266-50102-04A	RES,1K,5%,1/4W,FUSIBLE	R58
266-50107-04A	RES,1 OHM,5%,1/4W,FUSIBLE	R2,3,119
266-50152-04A	RES,1.5K,5%,1/4W,FUSIBLE	R33,42
266-50301-04A	RES,300 OHM,5%,1/4W,FUSIBLE	R35,44,62,63
266-50560-04A	RES,56OHM,5%,1/4W,FUSIBLE	R92,97
320-20001-00	DIODE,1N4148,75V	D3,7,8,9,12,13,22,23,27
320-20004-00	DIODE,1N4004,400V	D4,5,19,20,21
320-20006-00	DIODE,1N3070,175V	D10,11,14,15,16,17,18
320-20027-00	DIODE,FR604,400V	D25,29
320-30002-00	DIODE,ZENER,1N4744A,15V,UNPRP	D1,2,24,28
321-40001-00	TR,MPSA43,TO92 NPN SM SG	Q25,26
321-40004-00	TR,MPSA93,TO92 PNP SM SG	Q24,28
321-40011-00	TR,TO92,MPSA06,NPN,SM,SG	Q2,14,30,33
321-40012-00	TR,TO92,MPSA56,PNP,SM,SG	Q3,15
321-40029-01	XISTOR,TO92 PNP,SM SG,L.N 120V	Q9,10
321-40030-01	XISTOR,TO92 NPN,SM SG,L.N 120V	Q6,7
321-40024-01	TR,TO92,2N4401,NPN,SM,SG	Q35
321-40025-01	TR,TO92,2N4403,PNP,SM,SG	Q5,13,27,29,32
321-60008-00	TR,2SA1370,2006A PNP PWR	Q8,17
321-60009-00	TR,2SC3467,2006A NPN PWR	Q11,16
321-60011-00	TR,TP-220,PR,FET,60V.028	Q31,34
330-30009-00	IC,LMT339N,QUAD COMPARATOR	U1
330-30080-01	IC,TLE 2072ACP,OP AMP,DUAL	U2
401-20003-00	WIRE,BUSS,22GA,SPOOL	W3-11
402-00020-00	SLV,18GA,BLK,.6"	W/R23
501-00734-01	PCB,AMP II	
617-20002-01	RELAY,24V,20A,SPST-NO	RL1
- 603-00734-04	ASSY,AMPII MOD,760X RIGHT	
118-61033-01	SPCR,PUSH-IN,MINI,.250L	
151-20182-06	SCREW,MACH,4-40X3/8,W/WSHR	W/TRANSISTORS
151-31058-03	SCREW, THD, RLD PP, 6-32X1/2, ZN	PCB MNTG
154-40013-01	WSHR,#4, SHLDR,.252X.093,NYL	W/Q1,4
321-30013-00	TR,2SC3281-0,TO3P(L) NPN PWR	Q20,22,36,37,38
321-30014-00	TR,2SA1302-0,TO3P(L) PNP PWR	Q21,23,39,40,41
321-60000-00	TR,MJE3055T,TO220 NPN PWR	Q1
321-60002-00	TR,MJE2955T,TO220 PNP PWR	Q4
321-60035-01	TR,TO220,2SA1837,PNP	Q19
321-60036-01	TR,TO220,2SC4793,NPN	Q18
321-90001-00	XISTOR,2SC3423-Y,B100,NPN	Q12
403-20001-00	THERMALCOTE,#2502OZ	W/R23
508-00044-01	SHAFT,TRIM POT	W/R73

Indented Bills of Material (CVR

511-00027-01	HEATSINK	
511-00029-01	HTSK,A760X,EXTRUSION	
512-10660-01	SIL PAD	
512-10661-01	SIL PAD,A760X	
- 602-00734-04	CCA,AMPII,RIGHT,A-760	
107-00106-01	HEATSINK,TO-220,VERT,.95	H1,2 W/Q31,34
109-10037-01	JACK, PHONE, RT ANG	J17
115-30020-01	POST,BINDING,DUAL,RT ANG.	J16
118-61011-03	SPACER,.250D X .14ID,SNK .250L	
119-20035-01	TEST POINT	TP1
151-20002-00	SCRW, MACH PP 4-40X3/8 BLK WAX	
152-10001-00	NUT, KEPNUT, 4-40, ZINC	
160-30024-00	HEADER, 2 PIN, .1 LOCK ST POST	J3
160-30076-10	HEADER,10 PIN, .156 CTR RA	J2
201-00005-00	CAP,27PF,1000V,10%,CER	C42,47
201-00000-00	CAP,68PF,1000V,10%,CER	C37,38,40,41
201-00012-00	CAP,100 PF,1000V,10%,CER DISC	C21,22,29
201-00023-00	CAP,470PF,1000V,10%,CER	C33,34
201-00034-02	CAP,.01UF,500V,20%,CER	C14,15,19,25
201-00130-299	CAP,.01UF,10%,CER,AX	W2
201-00047-00	CAP,.1 UF,50V,10%,CER DIP	C8,9,12,13,32
204-00015-00	CAP,.01UF,100V,10%,POLY,RAD	C48,49
204-00017-00	CAP,.015 UF,100V,10%,PLYFLM	C28
204-00024-00	CAP,.047 UF,100V,10%,PLYFLM	C11,18
204-00146-00	CAP,.1UF,50V,5%,MTL FLM	C24,30
204-00157-00	CAP,1 UF,50V,5%,MTL FLM	C31
205-00011-02	CAP,22UF,25V,20%,LYTIC,RAD	C1,2,26,39
205-00016-02	CAP,100UF,25V,20%,LYTIC,RAD	C4,5,10,17
205-00021-00	CAP,470UF,16V,20%,LYTIC,RAD	C6,7
205-00078-00	CAP,3.3UF,160V,LYTIC,RAD	C16,20,51,52
205-00208-00	CAP,10UF,100V,NP,LYTIC,RAD	C3
207-10003-00	CAP,.1UF,250V,20%,MPOLY	C43,50,53
256-30001-01	THERMISTOR,1000 OHM, 1/2W, 5%,NTC	R23
259-20035-01	POT,TRIM,50K,VERT MNT	R73
259-30007-01	POT,1K,RIGHT ANGLE MINI	R50
260-50101-04A	RES,100 OHM,5%,1/4W,CF	R34,43,82,83
260-50103-04A	RES,10K,5%,1/4W,CF	R89,94
260-50104-04A	RES,100K,5%,1/4W,CF	R6,47,48
260-50123-04A	RES,12K,5%,1/4W,CF	R46
260-50153-04A	RES,15K,5%,1/4W,CF	R91,96
260-50154-04A	RES,150K,5%,1/4W,CF	R20
260-50202-04A	RES,2K,5%,1/4W,CF	R87
260-50203-04A	RES,20K,5%,1/4W,CF	R8,13,14,18,19,52
260-50204-04A	RES,200K,5%,1/4W,CF	R1,9,11
260-50225-04A	RES,2.2M,5%,1/4W,CF	R10,30,31
260-50330-04A	RES,33 OHM,5%,1/4W,CF	R53
260-50392-04A	RES,3.9K,5%,1/4W,CF	R49
260-50477-05A	RES,4.7OHM,5%,1/2W,CF	R85,86
260-50513-04A	RES,51K,5%,1/4W,CF	R7,15,29
260-50514-04A	RES,510K,5%,1/4W,CF	R12
260-50562-05A	RES,5.6K,5%,1/2W,CF	R77,78,88,99
260-50622-04A	RES,6.2K,5%,1/4W,CF	R17,21,79,80
260-50912-04A	RES,9.1K,5%,1/4W,CF	R76,81,84
262-31001-04A	RES,1K,1%,1/4W,MF	28,32,45,51
262-31152-04A	RES,11.5K,1%,1/4W,MF	R22
262-31820-04A	RES,182OHM,1%,1/4W,MF	R36,37,40,41

Indented Bills of Material (CVR

262-32211-04A	RES,2.21K,1%,1/4W,MF	R25,27
262-35762-04A	RES,57.6K,1%,1/4W,MF	R70,72
262-37151-04A	RES,7.15K,1%,1/4W,MF	R24,38,39,100,101
262-38250-04A	RES,825 OHM,1%,1/4W,MF	R26
- 263-50752-07A	RES,7.5K,1W,MO	R4,5
263-50752-07F	RES,7.5K,5%,1W,MF,.7	
- 264-50228-0BA	RES,.22OHM,5%,5W,WW AX	
264-50228-0BI	RES,.22 OHM,5%,5W,WW.1.0,AX	
- 263-50477-08A	RES,4.7 OHM,2W,MO,AX	R71
263-50477-08I	RES,4.7 OHM,5%,2W MO,1.	
263-50477-08G	RES,4.7 OHM,FUSIBLEL,5%,2W,MO,.8 AX	
266-50100-04A	RES,10 OHM,5%,1/4W,FUSIBLE,MO	
266-50101-04A	RES,100 OHM,5%,1/4W,FUSIBLE	R56,57
266-50101-05A	RES,100 OHM,5%,1/2W,FUSIBLE	R59,117
266-50102-04A	RES,1K,5%,1/4W,FUSIBLE	R58
266-50497-04A	RES,1 OHM,5%,1/4W,FUSIBLE	R2,3,119
266-50152-04A	RES,1.5K,5%,1/4W,FUSIBLE	R33,42
266-50301-04A	RES,300 OHM,5%,1/4W,FUSIBLE	R35,44,62,63
266-50560-04A	RES,56OHM,5%,1/4W,FUSIBLE	R92,97
318-10009-00	SW,1KEY,PUSH,DPDT,MINI	SW1
320-20001-00	DIODE,1N4148,75V	D3,7,8,9,12,13,22,23,27
320-20004-00	DIODE,1N4004,400V	D4,5,19,20,21
320-20006-00	DIODE,1N3070,175V	D10,11,14,15,16,17,18
320-20027-00	DIODE,FR604,400V	D25,29
320-30002-00	DIODE,ZENER,1N4744A,15V,UNPRP	D1,2,24,28
321-40001-00	TR,MPSA43,TO92 NPN SM SG	Q25,28
321-40004-00	TR,MPSA93,TO92 PNP SM SG	Q2,14,30,33
321-40011-00	TR,TO92,MPSA06,NPN,SM,SG	Q3,15
321-40012-00	TR,TO92,MPSA56,PNP,SM,SG	Q9,10
321-40029-01	XISTOR,TO92 PNP,SM SG,L.N 120V	Q6,7
321-40030-01	XISTOR,TO92 NPN,SM SG,L.N 120V	Q35
321-40024-01	TR,TO92,2N4401,NPN,SM,SG	Q5,13,27,29,32
321-40025-01	TR,TO92,2N4403,PNP,SM,SG	Q8,17
321-60008-00	TR,2SA1370,2006A PNP PWR	Q11,16
321-60009-00	TR,2SC3467,2006A NPN PWR	Q31,34
321-60011-00	TR,TP-220,PR.FET,60V.028	U1
330-30009-00	IC,LMT339N,QUAD COMPARATOR	U2
330-30080-01	IC,TLE 2072ACP,OP AMP,DUAL	
401-20003-00	WIRE,BUSS,22GA,SPOOL	W4-11
402-00020-00	SLV,18GA,BLK,.6"	W/ R23
501-00734-01	PCB,AMP II	
617-20002-01	RELAY,24V,20A,SPST-NO	RL1
617-10131-01	XFMR,PWR,AMP,700W	
990-00029-00	CARD,LIMITED WARR	
990-00031-00	HOME,WARR REGISTRATION	
990-00791-00	MANUAL,OWNERS,A-760X	