

**CARVER**

**C-19**

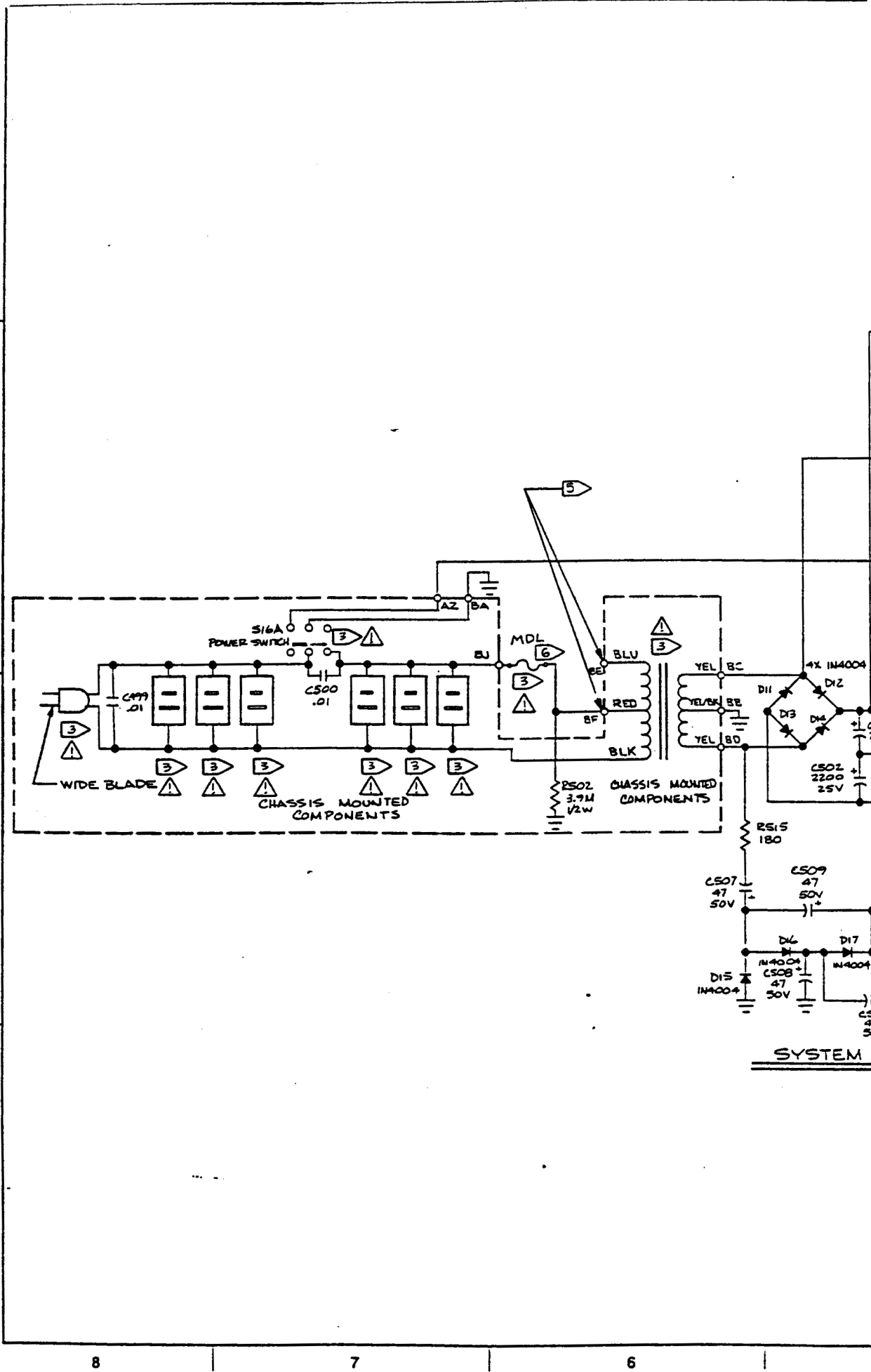
**SCHEMATICS**

D

C

B

A



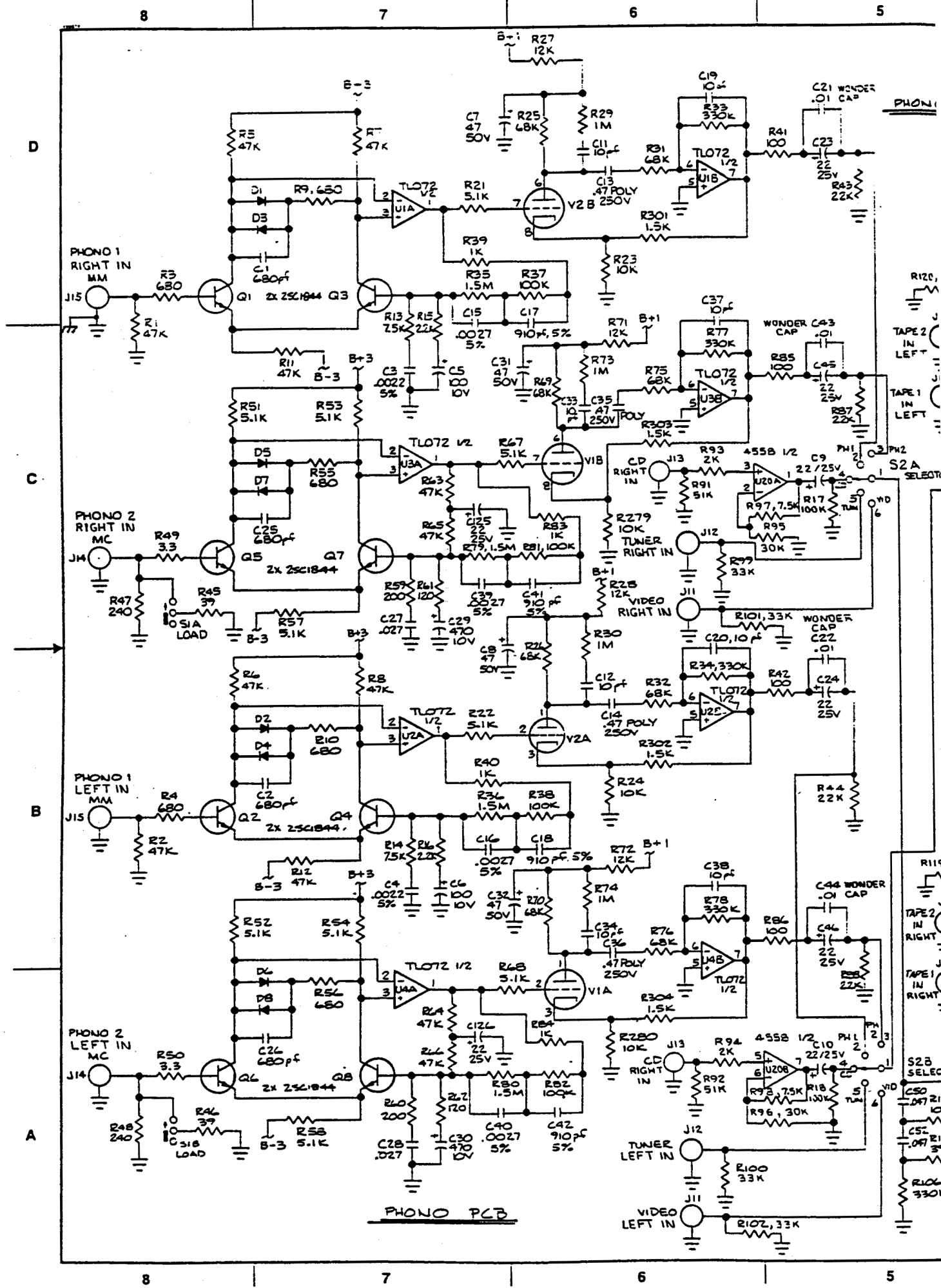
SYSTEM I

8

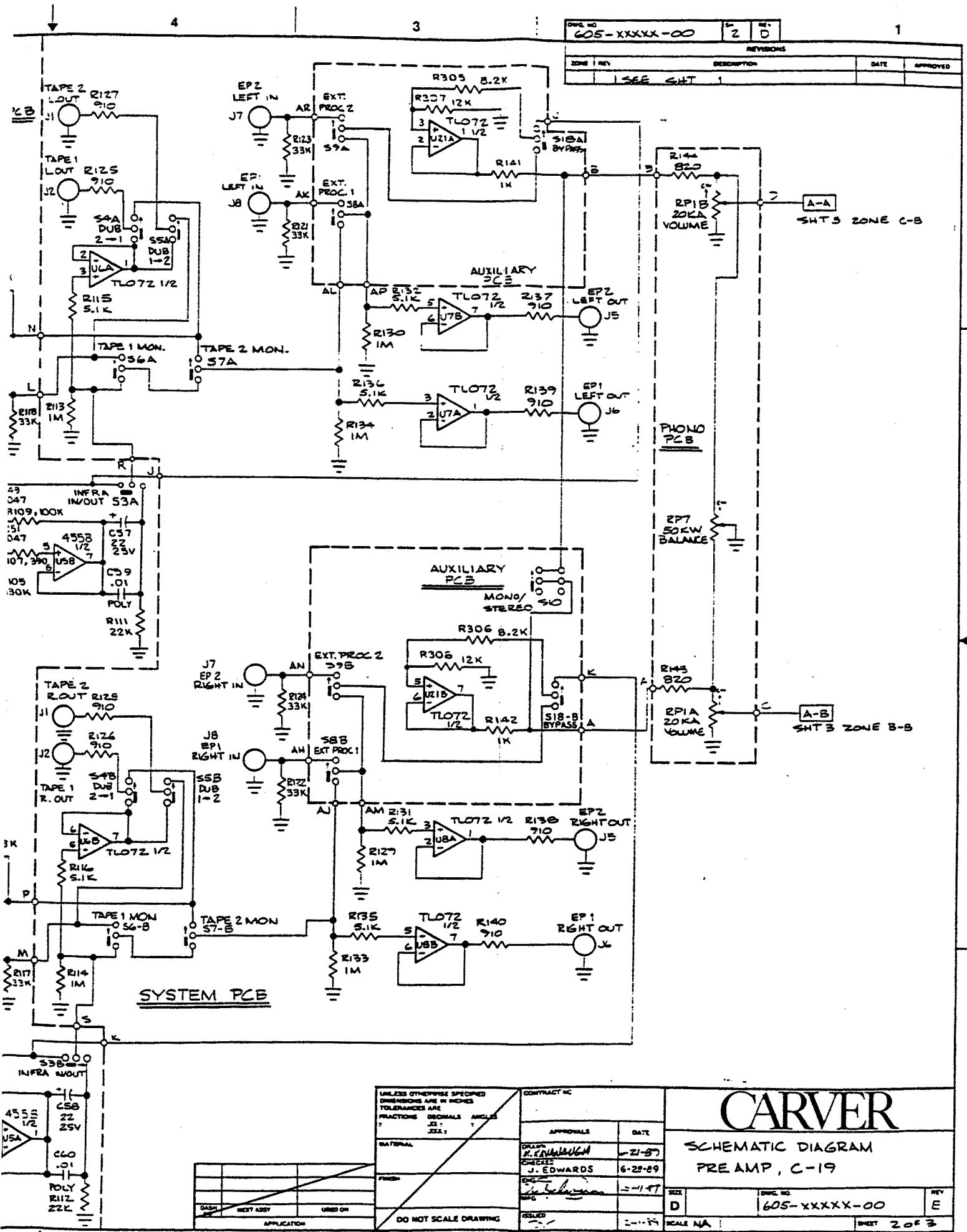
7

6





ZONE / REV	DESCRIPTION	DATE	APPROVED
1	SEE SHT 1		



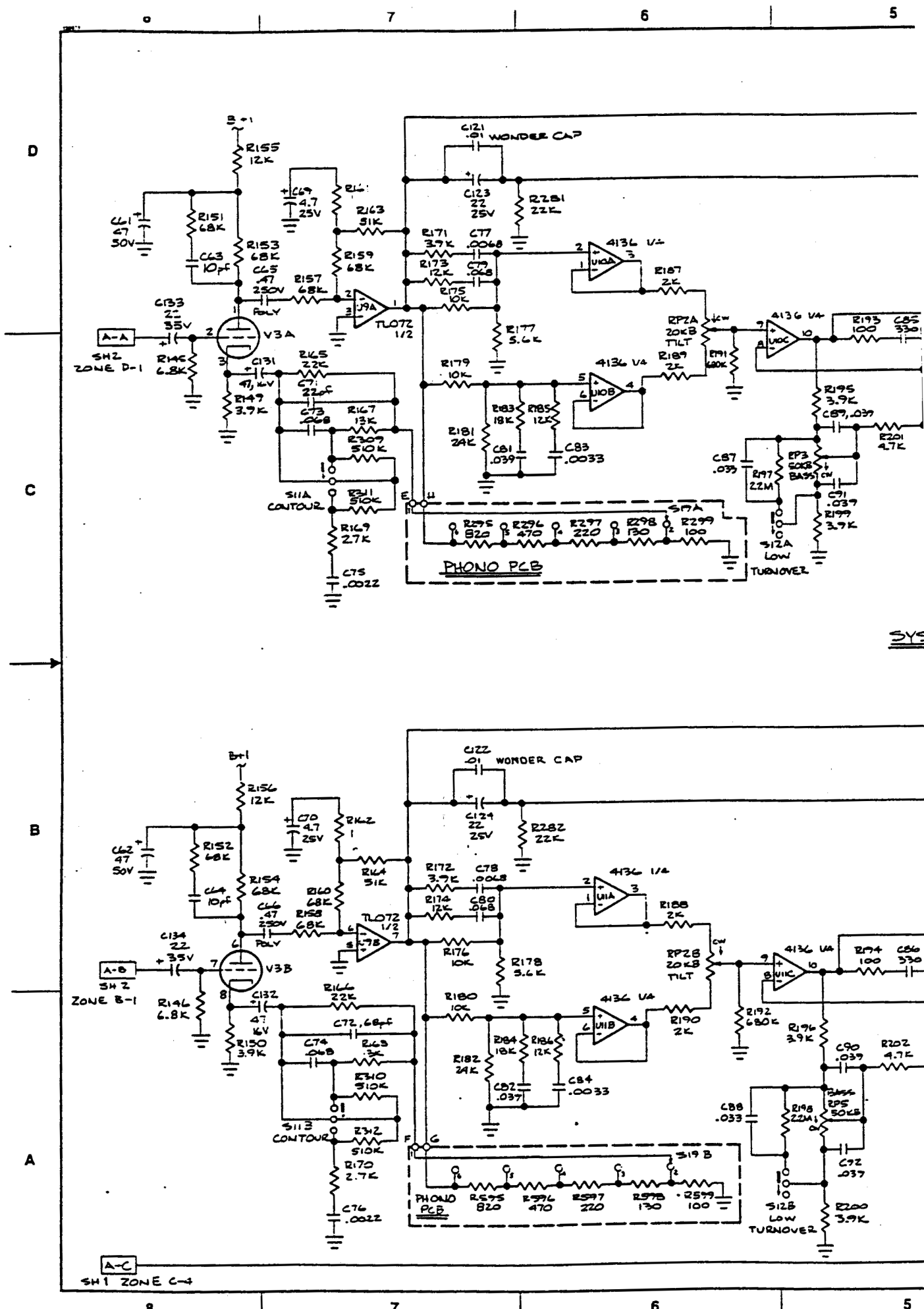
UNLESS OTHERWISE SPECIFIED DIMENSIONS ARE IN INCHES TOLERANCES ARE FRACTIONS DECIMALS MILLIS

MATERIAL	CONTRACT NO.
FRESH	APPROVALS
DASH	DATE
NEXT ASSY	DESIGNER
USED ON	ENGINEER
APPLICATION	DATE
	ISSUED
	SCALE

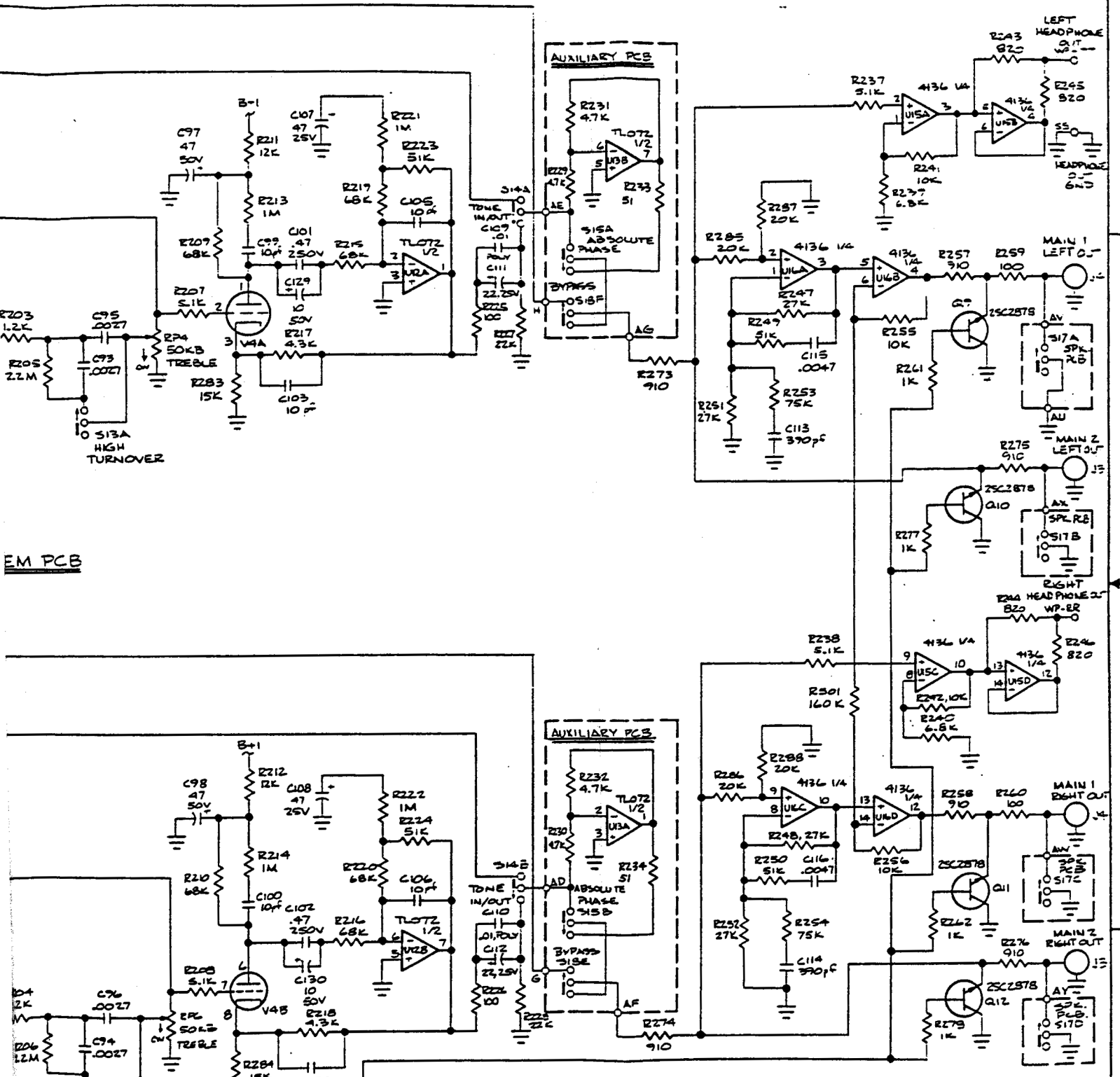
**CARVER**

SCHEMATIC DIAGRAM  
PRE AMP, C-19

SIZE	DWG NO.	REV
D	605-XXXX-00	E
SCALE N/A		SHEET 2 OF 3



SYS



EM PCB

AUXILIARY PCB

AUXILIARY PCB

UNLESS OTHERWISE SPECIFIED  
 DIMENSIONS ARE IN INCHES  
 TOLERANCES ARE:  
 FRACTIONS DECIMALS ANGLES  
 ± .005 ± .015 ± .001

CONTRACT NO		<b>CARVER</b>	
APPROVALS	DATE	SCHEMATIC DIAGRAM PRE AMP C-19	
DRAWN			
CHECKED J. EDWARDS	6-28-59		
ENG W. J. ...	12-11-59		
ISSUED	12-11-59	SCALE 1/16" = 1"	DWG NO 605-XXXX-00
DO NOT SCALE DRAWING		SHEET 3 OF 3	

MATERIAL	QTY	DESCRIPTION	APP. NO.	DATE

# CARVER CORPORATION SERVICE BULLETIN

Service Bulletin # C-19-1	Model: C-19	Serial Nos. Before 000822
Reason: To prevent fuse from blowing when turning on.		Date: 10/30/92

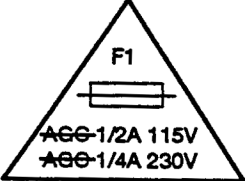
DELETE	ADD
For 120V version: Qty 1 Fuse, AGC 1/2 P/N 315-10504-00	For 120V version: Qty 1 Fuse, MDL 1/2 P/N 315-12012-00
For 230V version: Qty 1 Fuse, AGC 1/4 P/N 315-10503-00	For 230V version: Qty 1 Fuse, MDL 1/4 P/N 315-12011-00

## PROCEDURE

C-19 preamplifiers manufactured before serial number 000822 contain fast-blow fuses, which have been found to occasionally blow from the turn-on surge when the unit is switched on.

If the C-19 has a serial number below 000822, or if the fuse blows for no apparent reason, verify that it has a slow-blow (MDL) fuse.

1. Turn unit off and unplug from outlet.
2. Remove top cover by removing 8 screws.
3. Locate fuse in fuse clip on PCB.
4. Remove fuse from fuse clip and verify that it is an MDL-type.
5. If not, replace with an MDL 1/2A fuse for 120V units, or an MDL 1/4A fuse for 230V units.
6. Use an indelible marker to blacken out the letters "AGC" on the PCB screening near the fuse.
7. Replace top cover.



Service Approval <i>B. Cab</i> 11/2/92	Engineering Approval <i>Vincent...</i> 11-2-92
---	---