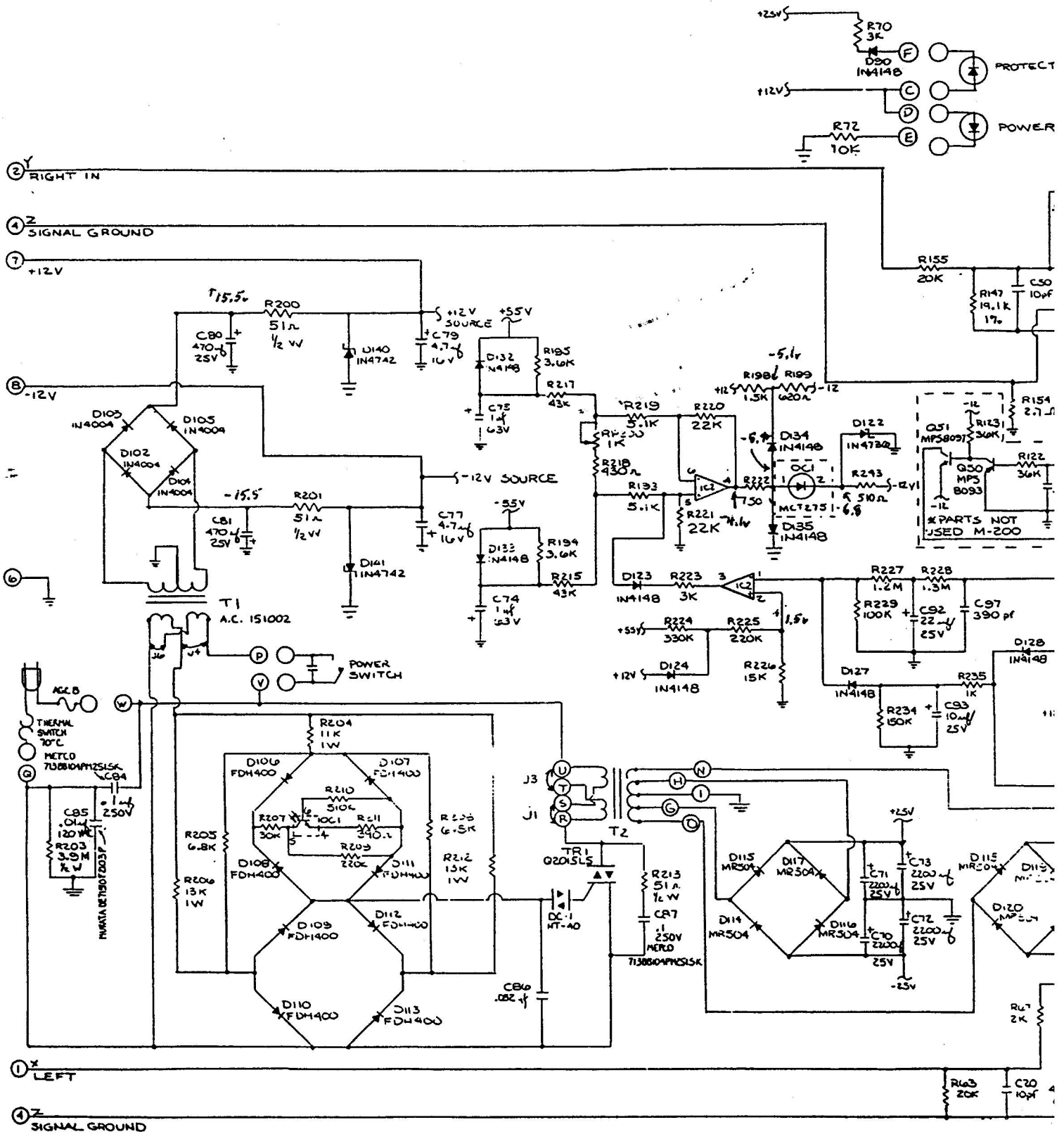


4

CONTRACT NO.		DATE	
DRAWING NO. M200x WIRING		2-25-83	
CHECKED		ISSUED	
MATERIAL		SCALE NONE	
UNLESS OTHERWISE SPECIFIED DIMENSIONS ARE IN INCHES FRACTIONS DECIMALS ANGLES		SIZE PUNCH NO. DWG. NO.	
POWER		B	
DO NOT SCALE DRAWING		SHEET 1 OF 1	

CARVER CORPORATION

M200x WIRING



NOTES -  
 IC1 IS A TL072.  
 IC2 IS A 7805.  
 UNLESS OTHERWISE SPECIFIED -  
 ALL CAPACITANCE IS IN MICRO-FARADS.  
 ALL RESISTORS ARE 1/4W.

CARVER CORPORATION  
 M-200t  
 ME LENO 4-12-83  
 20040-3 REV 3 11 6-30-83

