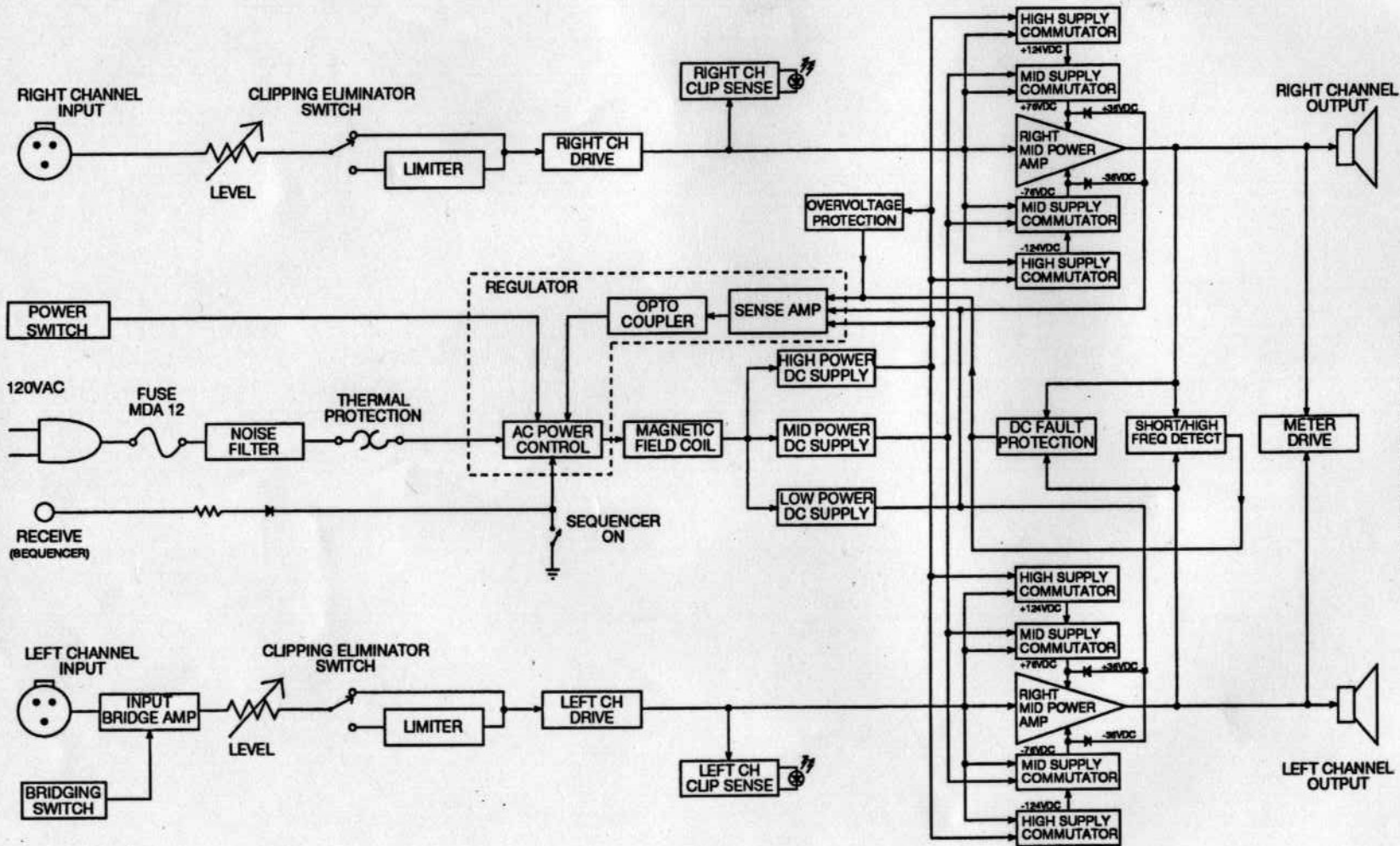


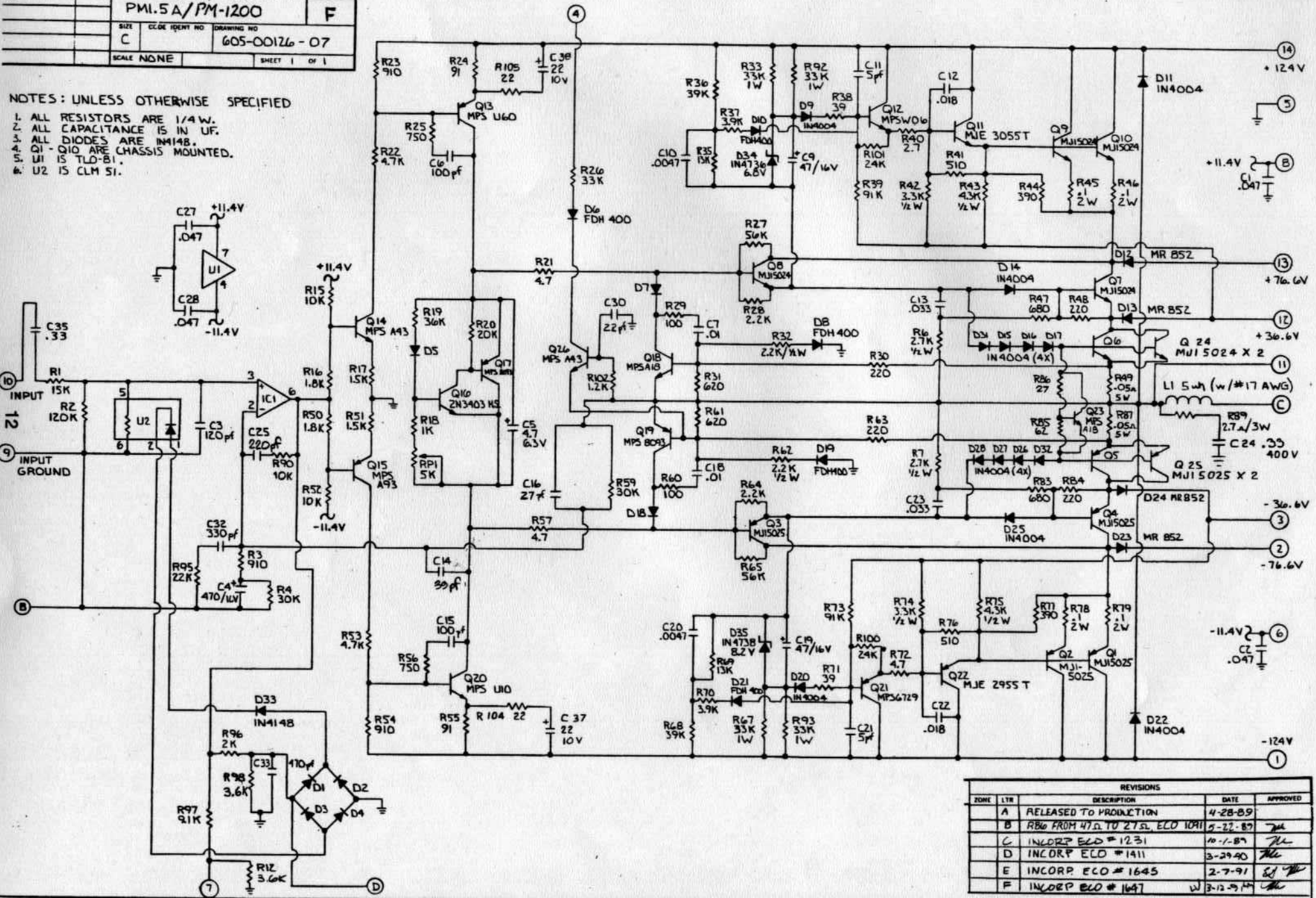
# BLOCK DIAGRAM PM-1200



## SECTION 6 BLOCK DIAGRAM

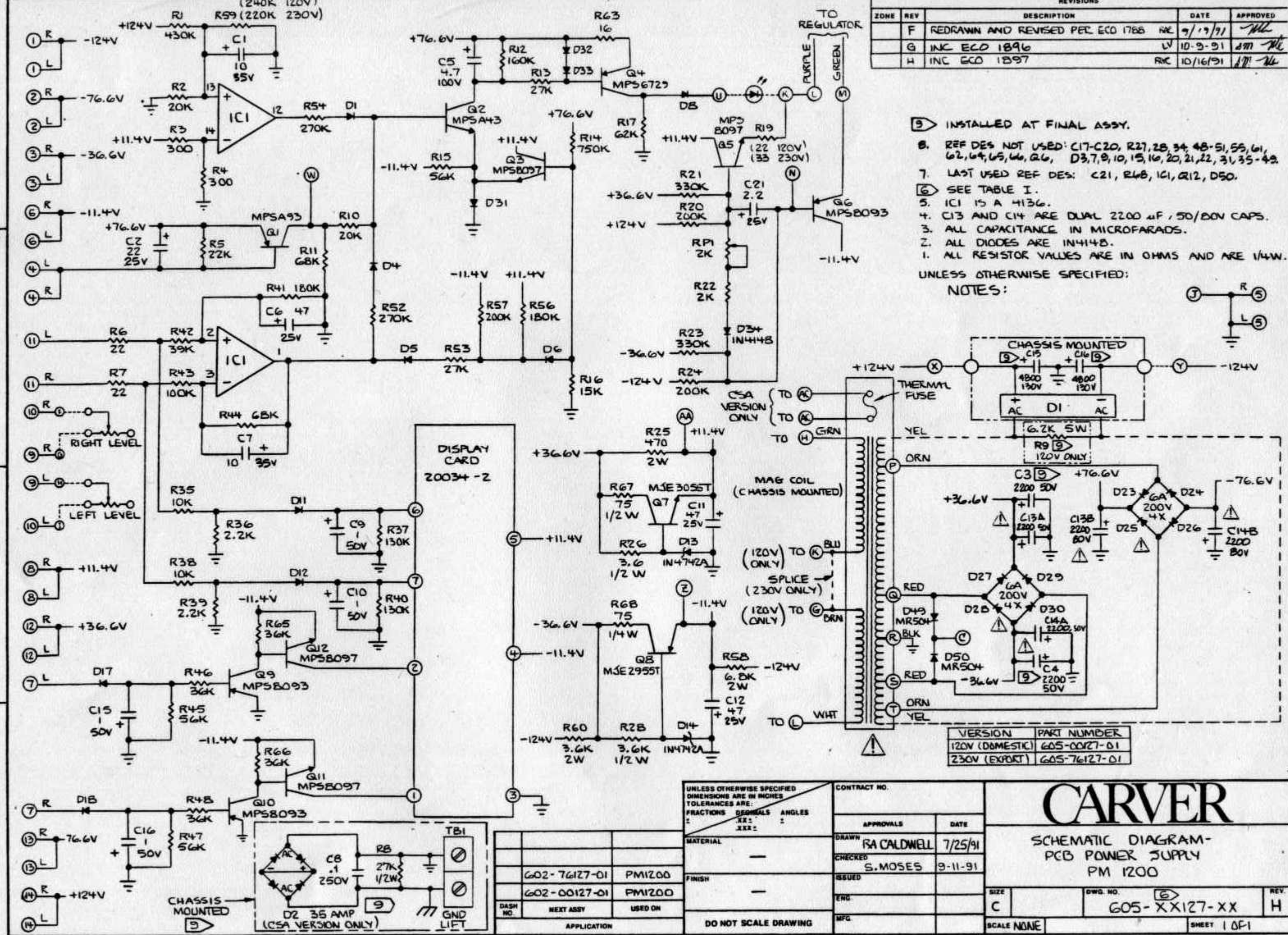
CONTRACT NO.		CARVER CORPORATION	
APPROVALS	DATE	SCHEMATIC, PCB AMP	
P. MCGUIRE	7-29-89	REV	
REVISIONS		F	
SIZE	CODE IDENT NO	DRAWING NO	
C		605-00126-07	
SCALE	NONE	SHEET 1 OF 1	

- NOTES: UNLESS OTHERWISE SPECIFIED
1. ALL RESISTORS ARE 1/4W.
  2. ALL CAPACITANCE IS IN UF.
  3. ALL DIODES ARE 1M148.
  4. Q1 - Q10 ARE CHASSIS MOUNTED.
  5. U1 IS TLD-81.
  6. U2 IS CLM 51.

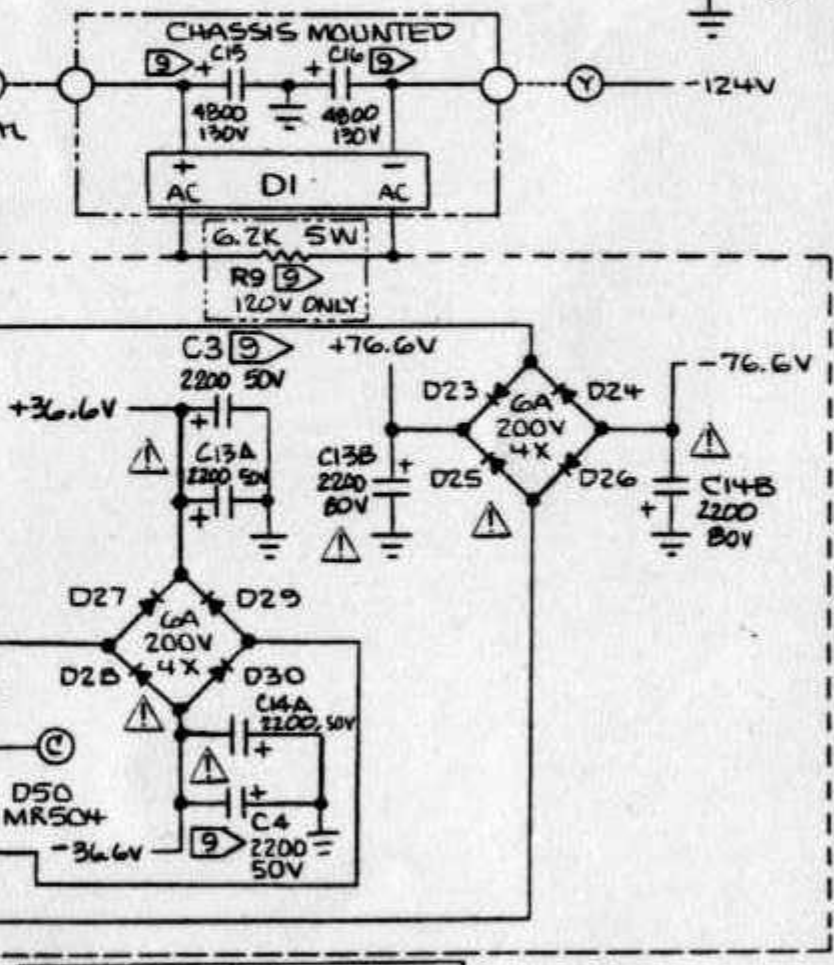


REVISIONS				
ZONE	LTR	DESCRIPTION	DATE	APPROVED
A		RELEASED TO PRODUCTION	4-28-89	
B		RB66 FROM 47Ω TO 27Ω, ECD 10411	5-22-89	JL
C		INCRP ECD # 1231	10-1-89	JL
D		INCRP ECD # 1411	3-29-90	JL
E		INCRP ECD # 1645	2-7-91	JL
F		INCRP ECD # 1647	3-12-91	JL

ZONE	REV	DESCRIPTION	DATE	APPROVED
	F	REDRAWN AND REVISED PER ECO 1766	9/17/91	ML
	G	INC ECO 1896	10-9-91	ML
	H	INC ECO 1897	10/16/91	ML



- 9 INSTALLED AT FINAL ASSY.
8. REF DES NOT USED: C17-C20, R27, 28, 34, 48-51, 55, 61, 62, 64, 65, 66, Q6, D3, 7, 9, 10, 15, 16, 20, 21, 22, 31, 35-49.
7. LAST USED REF DES: C21, R48, IC1, Q12, D50.
- 6 SEE TABLE I.
5. IC1 IS A 4136.
4. C13 AND C14 ARE DUAL 2200  $\mu$ F, 50/80V CAPS.
3. ALL CAPACITANCE IN MICROFARADS.
2. ALL DIODES ARE IN4148.
1. ALL RESISTOR VALUES ARE IN OHMS AND ARE 1/4W.
- UNLESS OTHERWISE SPECIFIED:
- NOTES:



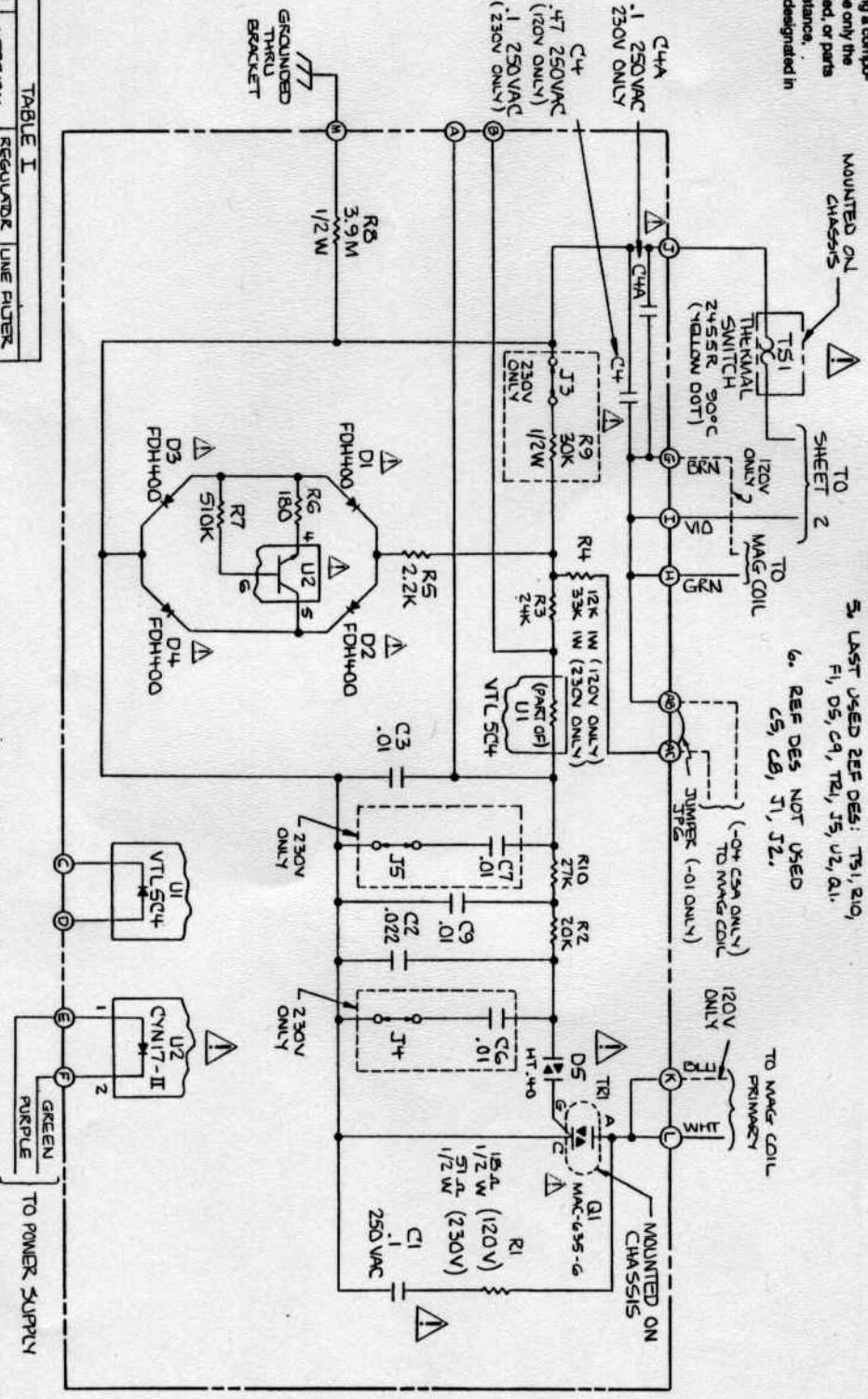
VERSION	PART NUMBER
120V (DOMESTIC)	605-00127-01
230V (EXPORT)	605-76127-01

UNLESS OTHERWISE SPECIFIED DIMENSIONS ARE IN INCHES TOLERANCES ARE:		CONTRACT NO.		CARVER	
FRACTIONS	DECIMALS	ANGLES			
±.XX	±.XX	±		SCHEMATIC DIAGRAM- PCB POWER SUPPLY PM 1200	
±.XXX	±.XXX	±			
MATERIAL		APPROVALS		DATE	
FINISH		DRAWN		7/25/91	
DASH NO.		CHECKED		9-11-91	
NEXT ASSY		ISSUED			
USED ON		ENG			
APPLICATION		MFG			
DO NOT SCALE DRAWING		SCALE NONE		SHEET 1 OF 1	

ZONE	REV	DESCRIPTION	DATE	APPROVED
E	INC	SERAMM AND REVISED PER EGD 785	9/5/91	AK
F	INC	EGD 1846	10-9-91	AK
G	INC	EGD 1897	01/16/91	AK
H	INC	EGD 1920	11/8/91	AK
J	INC	EGD 1945	1-27-91	AK

NOTES: UNLESS OTHERWISE SPECIFIED

- ALL RESISTOR VALUES ARE IN OHMS. ALL RESISTORS ARE 1/4"W.
- DELETED.
- ALL CAPACITANCE IN MICROFARADS.
- SEE TABLE I.
- LAST USED REF DES: T51, R10, F1, D5, C9, TR1, J5, U2, A1.
- REF DES NOT USED: C5, C8, J1, J2.



**PRODUCT SAFETY NOTICE**  
 All safety precautions in this manual should be followed during servicing. Components identified with the IEC symbol  $\Delta$  in the parts list and the schematic diagram designate components in which safety can be of special significance. When replacing a component identified with  $\Delta$ , use only the replacement parts designated, or parts with the same rating of resistance, wattage or voltage that are designated in the parts list in this manual.

TABLE I

SUBST. Dwg. NO.	PLANT ASSY NUMBER	VERSION	REGULATOR PAKT NUMBER	LINE FILTER PAKT NUMBER
G05-00129-01	607-00129-01	120V (DOMESTIC)	602-00129-01	605-00005-01
G05-76129-01	607-00129-02	230V (EXPORT)	602-76129-01	605-00005-01
G05-76129-01	607-00129-03	230V (EURO)	602-76129-01	605-00005-01
G05-00129-01	607-00129-18	120V (CL.A)	602-00129-01	605-00005-01
G05-76129-01	607-00129-19	230V (KOR.E)	602-76129-01	605-00005-01
G05-00129-01	607-00129-04	120V (C.S.A)	602-00129-04	605-00005-01
G05-76129-01	607-00129-08	230V (SERAMM)	602-76129-01	605-00004-01

UNLESS OTHERWISE SPECIFIED, DIMENSIONS ARE IN INCHES. FRACTIONS DENOTE ANGLES.

CONTRACT NO. \_\_\_\_\_ APPROVALS \_\_\_\_\_ DATE \_\_\_\_\_

DESIGNER: RAYMOND BL... 7/23/91  
 CHECKED: S. MOSES 9-19-91  
 DRAWN: \_\_\_\_\_  
 FINISH: \_\_\_\_\_

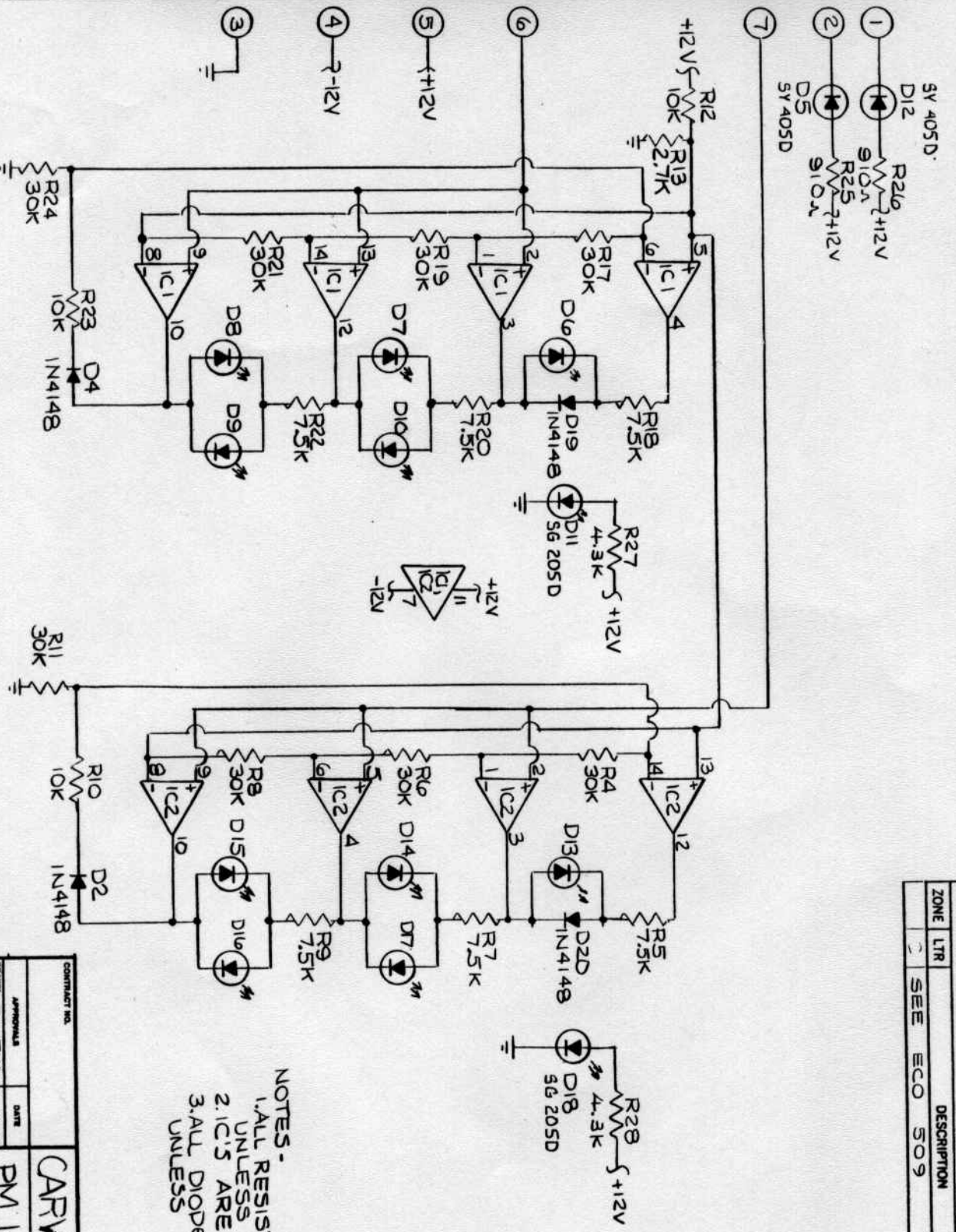
SCALE: NONE

DATE: G05-XX129-XX  
 SHEET: 1 OF 2

**CARVER**

SCHEMATIC DIAGRAM -  
 FCB REGULATOR,  
 PM 1200

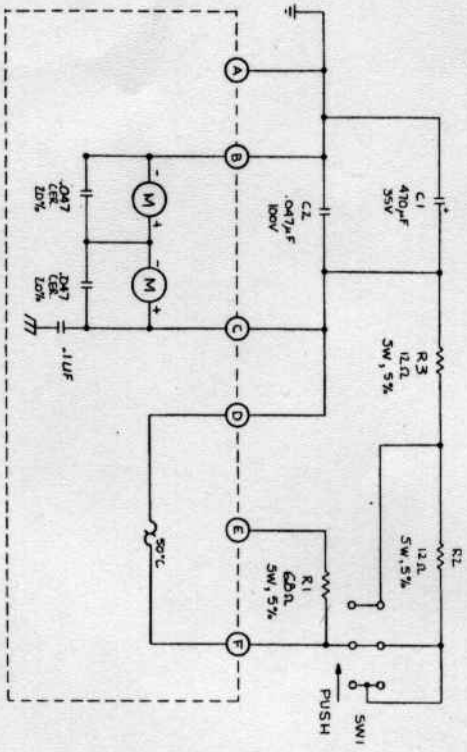
REVISIONS			DATE	APPROVED
ZONE	LTR	DESCRIPTION		
	2	SEE ECO 509	11-16-87 d.c	



NOTES -  
 1. ALL RESISTORS ARE 1/4 WATT  
 UNLESS NOTED.  
 2. IC'S ARE 4130  
 3. ALL DIODES ARE SR505W  
 UNLESS NOTED.

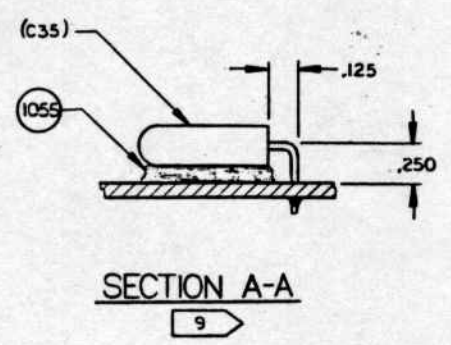
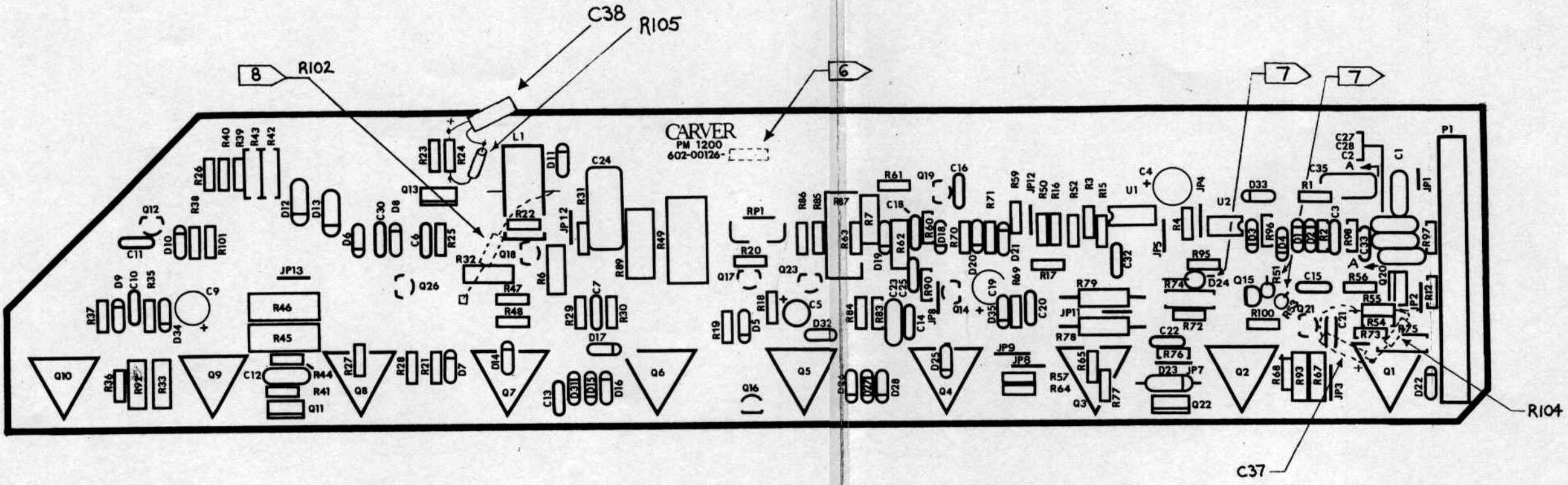
CONTRACT NO.		DATE		SIZE		DRG. NO.	
APPROVALS		DATE		FSCM NO.		NO.	
DESIGNER		DATE		SCALE		SHEET	
ME LEND		2-1-83		B		605-00128-01	
CHECKED		1-11-83		C		REV	
ISSUED		7-16-83		-		1 OF 1	
CARVER CORPORATION				PM 1.5 DISPLAY			

REV	DATE	BY	CHKD
1			
2			
3			
4			
5			



<b>CARVER</b> PM-1.5A FAN DRIVE SCHEMATIC		PART LIST QTY PART NO. DESCRIPTION
CONTRACT NO. 10426	DATE 3-6-66	DRAWN CHECKED
APPROVED 3-6-66	DESIGNED 3-6-66	TESTED 3-6-66
DO NOT SCALE DRAWING		605-00675-00

602-00126-07		REV	DATE	APPROVED
G	INCORPORATED ECO # 1411 P.L. REV STATUS CHANGED FROM 'F' TO MATCH WITH DING'S LATEST REV.	1	1-4-90	G.G.
H	INCORP ECO # 1461	2	6/5/90	J.H.
J	INCORP ECO # 1589	3	10/26/90	R.D.
K	INCORP. ECO # 1645	4	2-6-91	E.P.
L	INCORP ECO # 1647	5	3-12-91	C.P.



- 9 BEND C35 AS SHOWN AND SECURE USING RTV, ITEM NO. 1055.
  - 8 SLEEVE RESISTOR AND ENTIRE LENGTH OF BOTH LEADS USING ITEM NO. 1045.
  - 7 COMPONENTS TO BE MOUNTED STANDING UP.
  - 6 MARK DASH NO. AND REV AT LOCATION SHOWN.
  - 5. ALL ITEM NUMBERS 1000 OR ABOVE TO BE INSTALLED AFTER SOLDER POT AT TOUCH UP LEVEL.
  - 4. ALL UNUSED COMPONENT HOLES TO BE MASKED BEFORE SOLDER DIP.
  - 3. COMPONENT VALUES OF LESS THAN 1/2W TO BE FLUSH MOUNTED TO PCB. COMPONENT VALUES OF 1/2W OR MORE TO BE MOUNTED OFF PCB BY 1/4 INCH.
  - 2 ALL ITEMS ARE ON 602-00126-07 PARTS LIST, REV. K.
    - 1. USE PCB 501-00126-00, REV. C.
- NOTES: UNLESS OTHERWISE SPECIFIED,

UNLESS OTHERWISE SPECIFIED DIMENSIONS ARE IN INCHES TOLERANCES ARE FRACTIONS DECIMALS ANGLES			CONTRACT NO.							
-07	607-75161-00	PM 1.5A (CSA)	<table border="1"> <tr> <td>APPROVALS</td> <td>DATE</td> </tr> <tr> <td>DESIGNED BY: <i>[Signature]</i></td> <td>1-4-90</td> </tr> <tr> <td>CHECKED BY: C. ADKINS</td> <td>10/1/24</td> </tr> </table>		APPROVALS	DATE	DESIGNED BY: <i>[Signature]</i>	1-4-90	CHECKED BY: C. ADKINS	10/1/24
APPROVALS	DATE									
DESIGNED BY: <i>[Signature]</i>	1-4-90									
CHECKED BY: C. ADKINS	10/1/24									
-07	607-76161-00	PM 1.5A (240)								
-07	607-00120-06	PM 1200 (CSA)								
-07	607-00120-05	PM 1200 (EUREP)								
-07	607-00120-02	PM 1200 (230V)								
-07	607-00120-01	PM 1200 (120V)								
-07	607-00161-00	PM-1.5A	<table border="1"> <tr> <td>602-00126-07</td> <td>L</td> </tr> </table>		602-00126-07	L				
602-00126-07	L									

**CARVER**  
ASSY, PCB -AMPLIFIER  
PM-1.5A/1200

602-00126-07 L  
SHEET 2/1