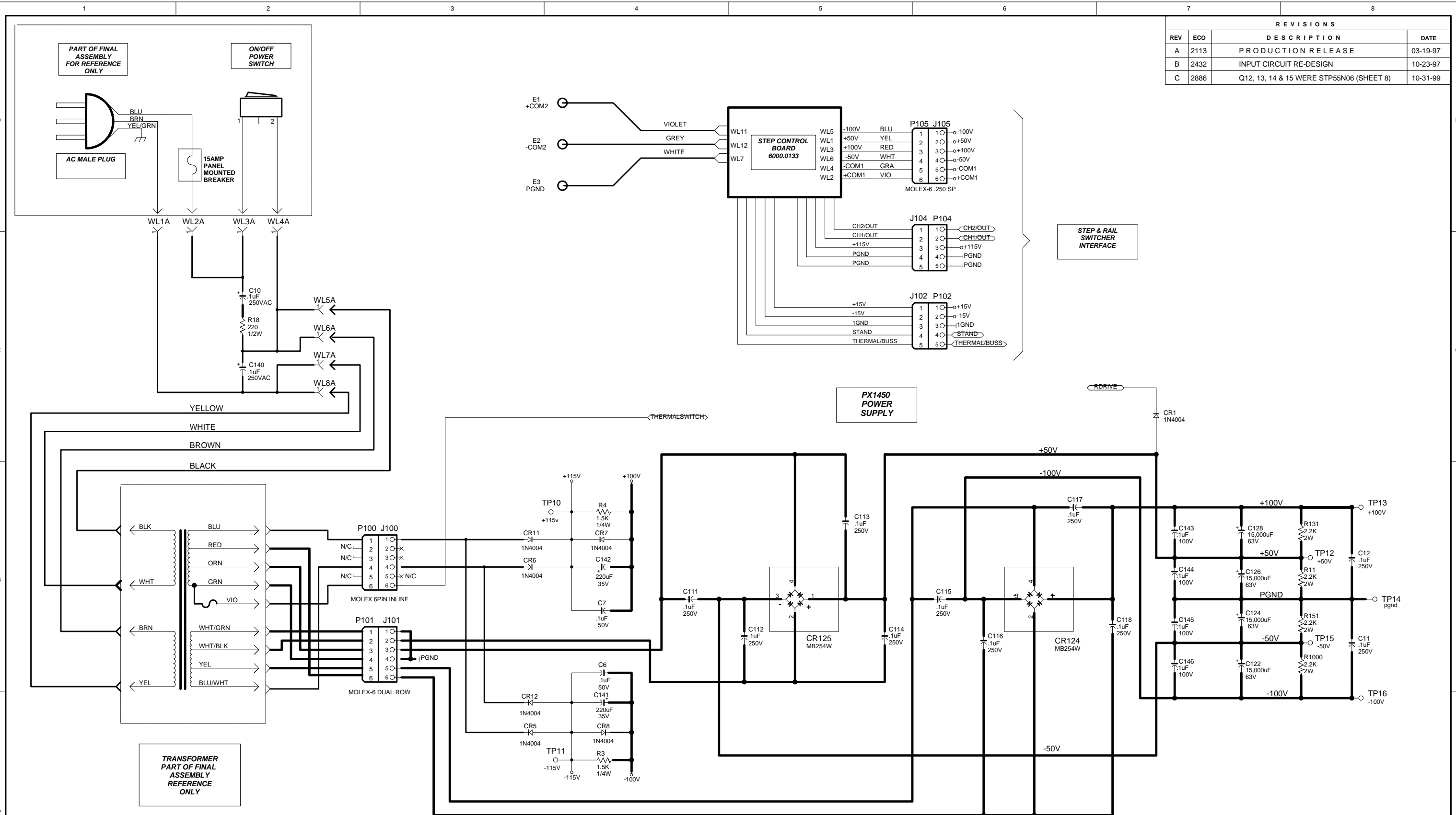


REVISIONS			
REV	ECO	DESCRIPTION	DATE
A	2113	PRODUCTION RELEASE	03-19-97
B	2432	INPUT CIRCUIT RE-DESIGN	10-23-97
C	2886	Q12, 13, 14 & 15 WERE STP55N06 (SHEET 8)	10-31-99

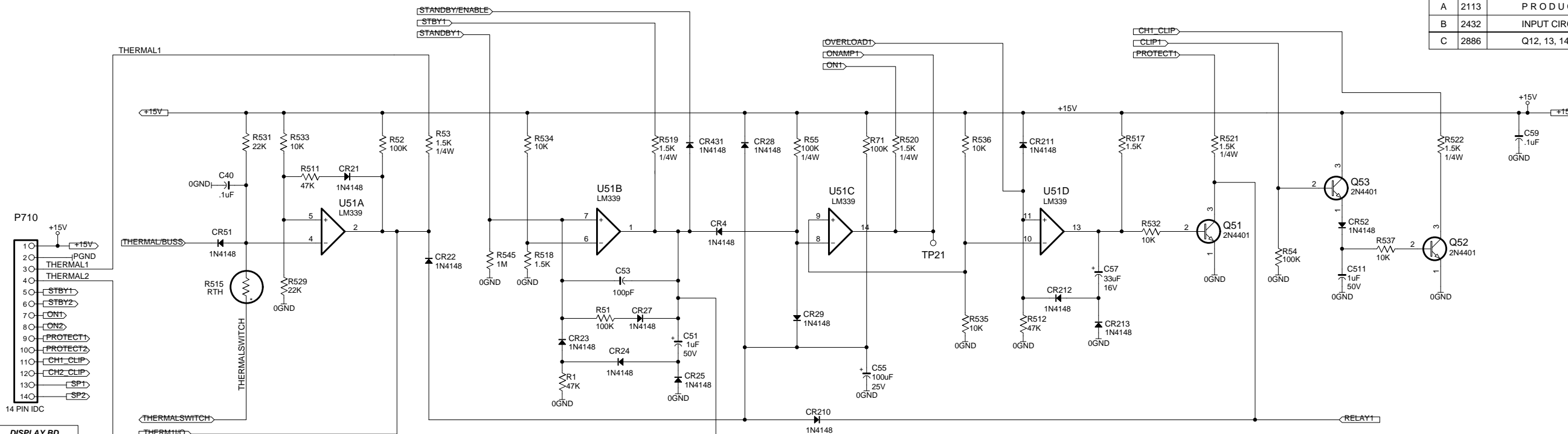


NOTES: UNLESS OTHERWISE SPECIFIED.  
 1. ALL RESISTORS ARE IN OHMS.  
 2. ALL CAPACITORS ARE IN MICROFARADS.

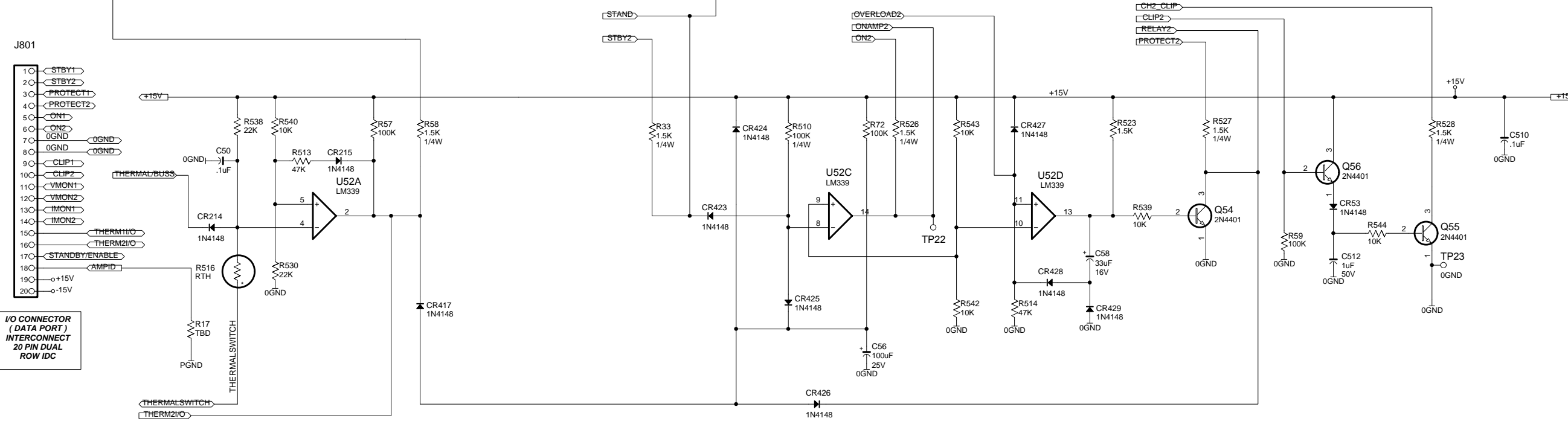
PROPRIETARY NOTICE  
 THE INFORMATION CONTAINED IN THIS DOCUMENT IS  
 PROPRIETARY TO PHOENIX GOLD AND SHALL NOT BE  
 REPRODUCED OR DISCLOSED IN WHOLE OR IN PART  
 WITHOUT PRIOR AUTHORIZATION FROM PHOENIX GOLD

<b>CARVER PROFESSIONAL</b> APPROVALS: CHECKED _____ DATE: _____ APPROVALS: ENGINEERING _____ DATE: _____		SCHEMATIC: AC POWER SUPPLY CARVER PXSERIES 1450	
		SIZE: B DATE: 8-Nov-1999 FILE: PX1500S1.SCH DRAWN BY: TIMOTHY	DWG No. 8000.0102 SHEET 1 OF 9

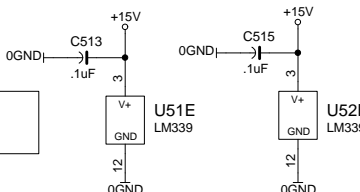
REVISIONS			
REV	ECO	DESCRIPTION	DATE
A	2113	PRODUCTION RELEASE	03-19-97
B	2432	INPUT CIRCUIT RE-DESIGN	10-23-97
C	2886	Q12, 13, 14 & 15 WERE STP55N06 (SHEET 8)	10-31-99



CHANNEL 1 POWER SUPPLY & AMPLIFIER MONITOR



CHANNEL 2 POWER SUPPLY & AMPLIFIER MONITOR



POWER DISTRIBUTION BLOCKS

NOTES: UNLESS OTHERWISE SPECIFIED.  
 1. ALL RESISTORS VALUES ARE IN OHMS, 1/8W.  
 2. ALL CAPACITORS ARE IN MICROFARADS.  
 3. ALL FUSE RESISTORS 1/4W (F)

P710

1	+15V
2	PGND
3	THERMAL1
4	THERMAL2
5	STBY1
6	STBY2
7	ON1
8	ON2
9	PROTECT1
10	PROTECT2
11	CH1_CLIP
12	CH2_CLIP
13	SP1
14	SP2

14 PIN IDC

DISPLAY BD INTERCONNECT 14 PIN DUAL ROW IDC

J801

1	STBY1
2	STBY2
3	PROTECT1
4	PROTECT2
5	ON1
6	ON2
7	OGND
8	OGND
9	CLIP1
10	CLIP2
11	VMON1
12	VMON2
13	IMON1
14	IMON2
15	THERM1IO
16	THERM2IO
17	STANDBY/ENABLE
18	AMPID
19	+15V
20	-15V

20 PIN DUAL ROW IDC

I/O CONNECTOR (DATA PORT) INTERCONNECT 20 PIN DUAL ROW IDC

PROPRIETARY NOTICE  
 THE INFORMATION CONTAINED IN THIS DOCUMENT IS PROPRIETARY TO PHOENIX GOLD AND SHALL NOT BE REPRODUCED OR DISCLOSED IN WHOLE OR IN PART WITHOUT PRIOR AUTHORIZATION FROM PHOENIX GOLD

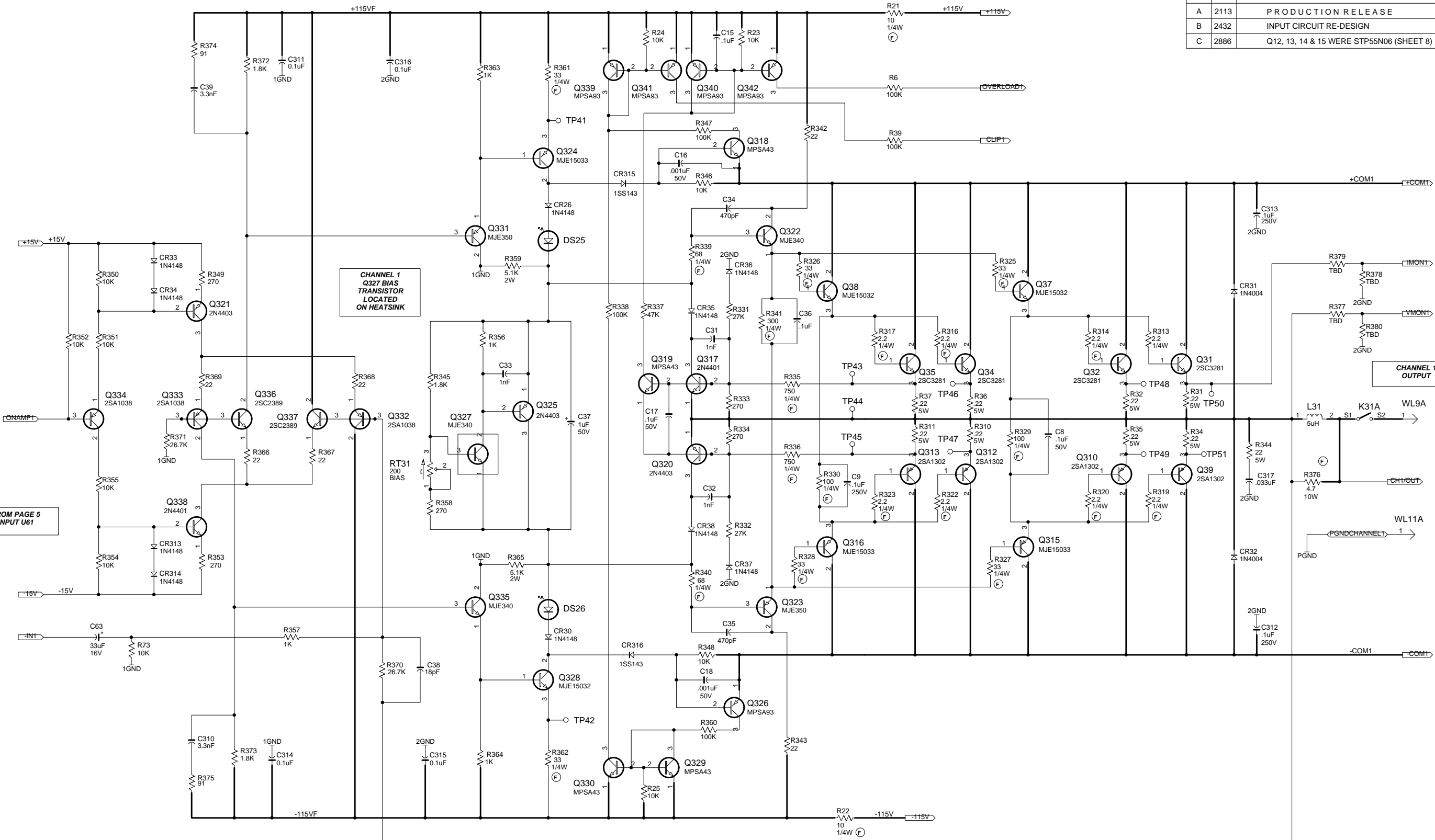
**CARVER PROFESSIONAL**

SCHEMATIC: AMPLIFIER MONITOR  
 CARVER PXSERIES 1450

APPROVALS: CHECKED	DATE:	APPROVALS: ENGINEERING	DATE:	FILE: PX1500S2.SCH	DWG No. 8000.0102	REV C
--------------------	-------	------------------------	-------	--------------------	-------------------	-------

DRAWN BY: TIMOTHY SHEET 2 OF 9

REVISIONS			
REV	ECO	DESCRIPTION	DATE
A	2113	PRODUCTION RELEASE	03-19-97
B	2432	INPUT CIRCUIT RE-DESIGN	10-23-97
C	2886	Q12, 13, 14 & 15 WERE STP55N06 (SHEET 8)	10-31-99



CHANNEL 1  
Q327 BIAS  
TRANSISTOR  
LOCATED  
ON HEATSINK

FROM PAGE 5  
INPUT U61

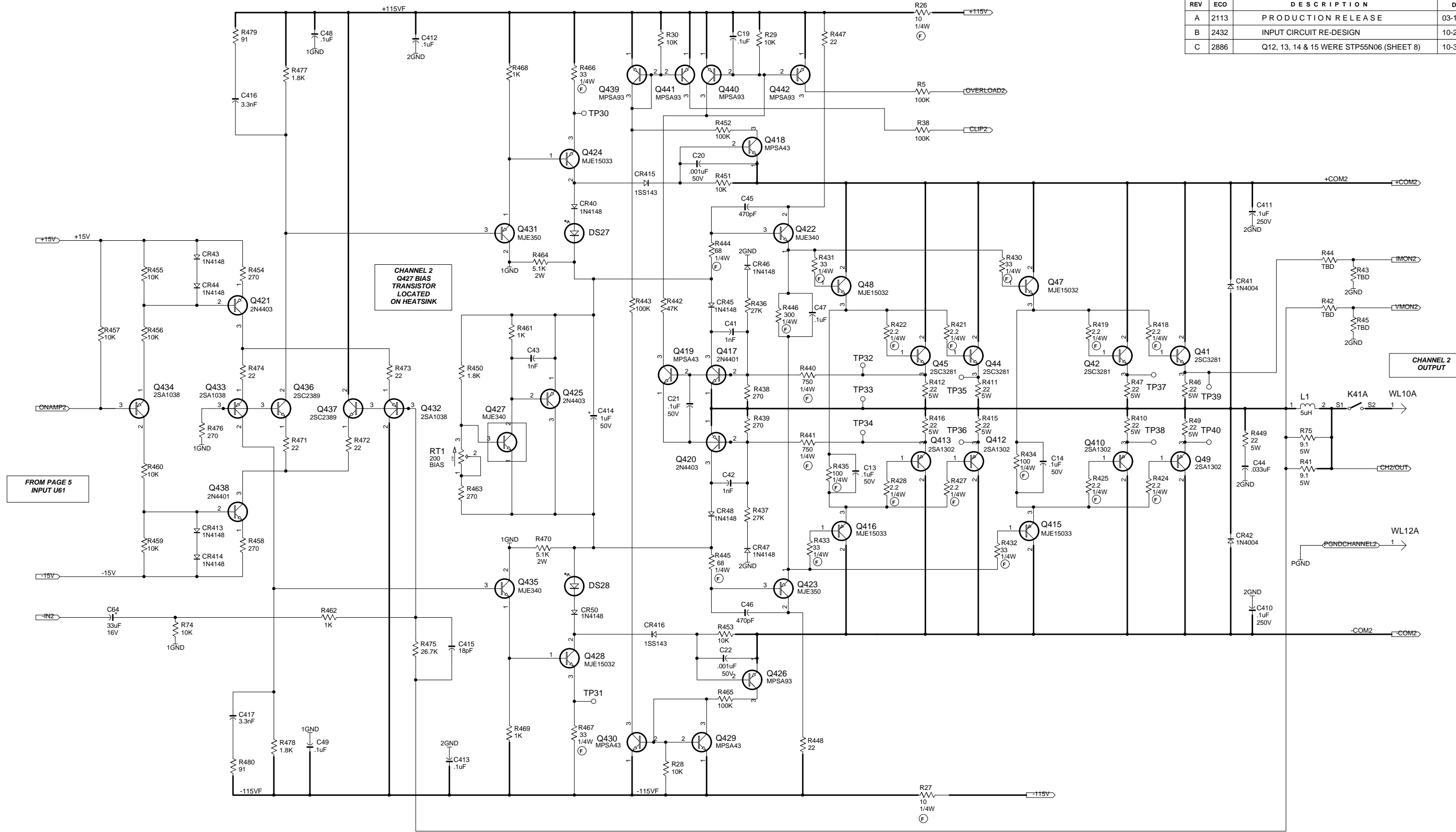
CHANNEL 1  
AMPLIFIER  
STAGE

- NOTES: UNLESS OTHERWISE SPECIFIED.
1. ALL RESISTORS VALUES ARE IN OHMS, 1/8W.
  2. ALL CAPACITORS ARE IN MICROFARADS.
  3. ALL FUSE RESISTORS 1/4W (E)

PROPRIETARY NOTICE  
THE INFORMATION CONTAINED IN THIS DOCUMENT IS  
PROPRIETARY TO PHOENIX GOLD AND SHALL NOT BE  
REPRODUCED OR DISCLOSED IN WHOLE OR IN PART  
WITHOUT PRIOR AUTHORIZATION FROM PHOENIX GOLD

		SCHEMATIC: CHANNEL 1 AMPLIFIER	
		CARVER PX SERIES 1450	
APPROVALS: CHECKED	DATE:	APPROVALS: ENGINEERING	DATE:
FILE: PX1500S3 SCH	8000.0102	DWG No.:	REV
DRAWN BY: TIMOTHY	SHEET 3	OF 9	C

REVISIONS			
REV	ECO	DESCRIPTION	DATE
A	2113	PRODUCTION RELEASE	03-19-97
B	2432	INPUT CIRCUIT RE-DESIGN	10-23-97
C	2886	Q12, 13, 14 & 15 WERE STP55N06 (SHEET 8)	10-31-99



FROM PAGE 5  
INPUT U61

CHANNEL 2  
Q427 BIAS  
TRANSISTOR  
LOCATED  
ON HEATSINK

CHANNEL 2  
AMPLIFIER  
STAGE

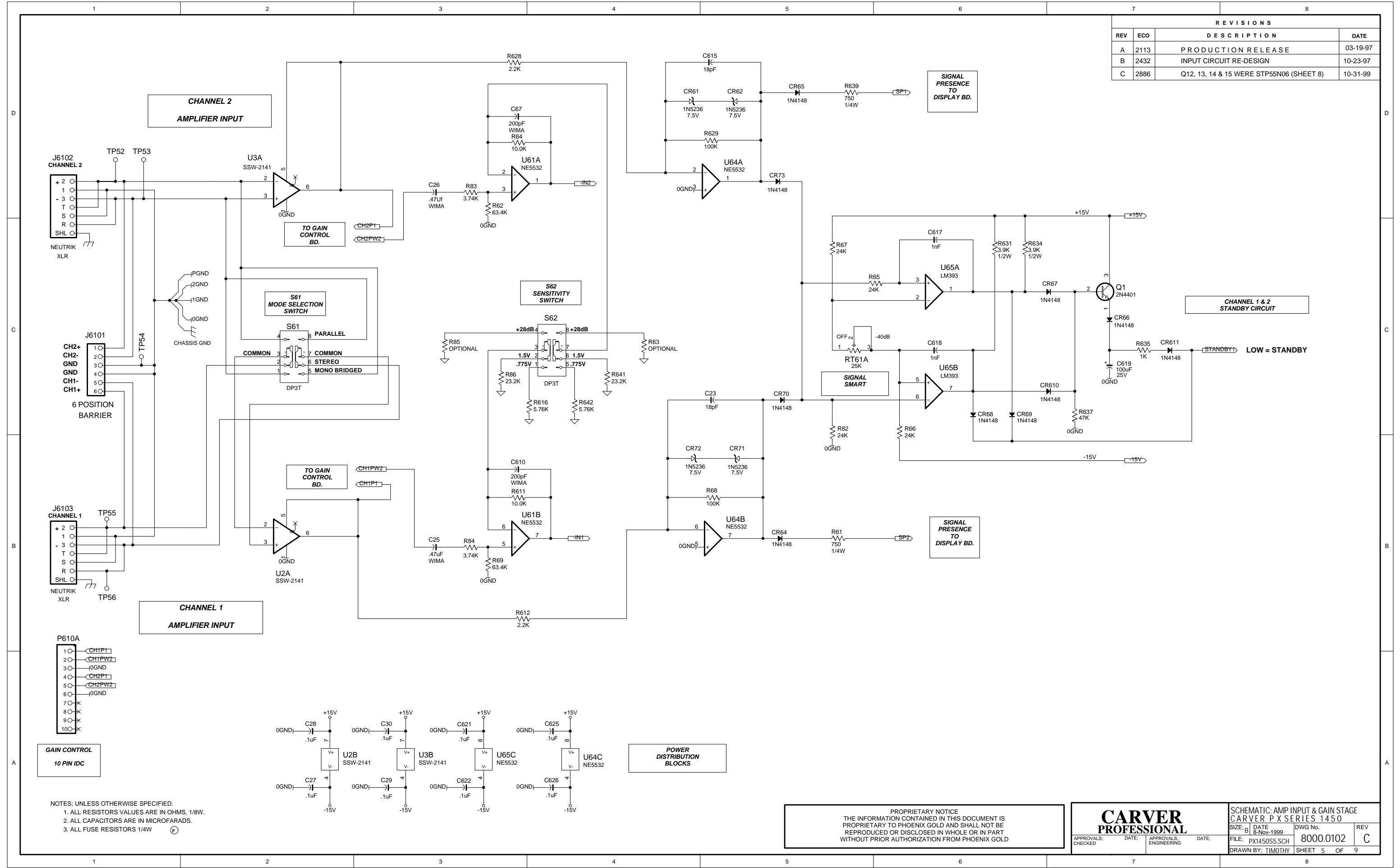
CHANNEL 2  
OUTPUT

- NOTES: UNLESS OTHERWISE SPECIFIED.
1. ALL RESISTORS VALUES ARE IN OHMS, 1/8W.
  2. ALL CAPACITORS ARE IN MICROFARADS.
  3. ALL FUSE RESISTORS 1/4W

PROPRIETARY NOTICE  
THE INFORMATION CONTAINED IN THIS DOCUMENT IS  
PROPRIETARY TO PHOENIX GOLD AND SHALL NOT BE  
REPRODUCED OR DISCLOSED IN WHOLE OR IN PART  
WITHOUT PRIOR AUTHORIZATION FROM PHOENIX GOLD

<b>CARVER PROFESSIONAL</b>		SCHEMATIC: CHANNEL 2 AMPLIFIER CARVER PX SERIES 1450	
		DATE: 8-Nov-1999 FILE: PX1500S4 SCH	DWG No. 8000.0102 SHEET 4 OF 9
APPROVALS: CHECKED:	DATE:	APPROVALS: ENGINEERING:	DATE:

REVISIONS			
REV	ECO	DESCRIPTION	DATE
A	2113	PRODUCTION RELEASE	03-19-97
B	2432	INPUT CIRCUIT RE-DESIGN	10-23-97
C	2886	Q12, 13, 14 & 15 WERE STP55N06 (SHEET 8)	10-31-99



NOTES: UNLESS OTHERWISE SPECIFIED.  
 1. ALL RESISTORS VALUES ARE IN OHMS, 1/8W.  
 2. ALL CAPACITORS ARE IN MICROFARADS.  
 3. ALL FUSE RESISTORS 1/4W

PROPRIETARY NOTICE  
 THE INFORMATION CONTAINED IN THIS DOCUMENT IS PROPRIETARY TO PHOENIX GOLD AND SHALL NOT BE REPRODUCED OR DISCLOSED IN WHOLE OR IN PART WITHOUT PRIOR AUTHORIZATION FROM PHOENIX GOLD

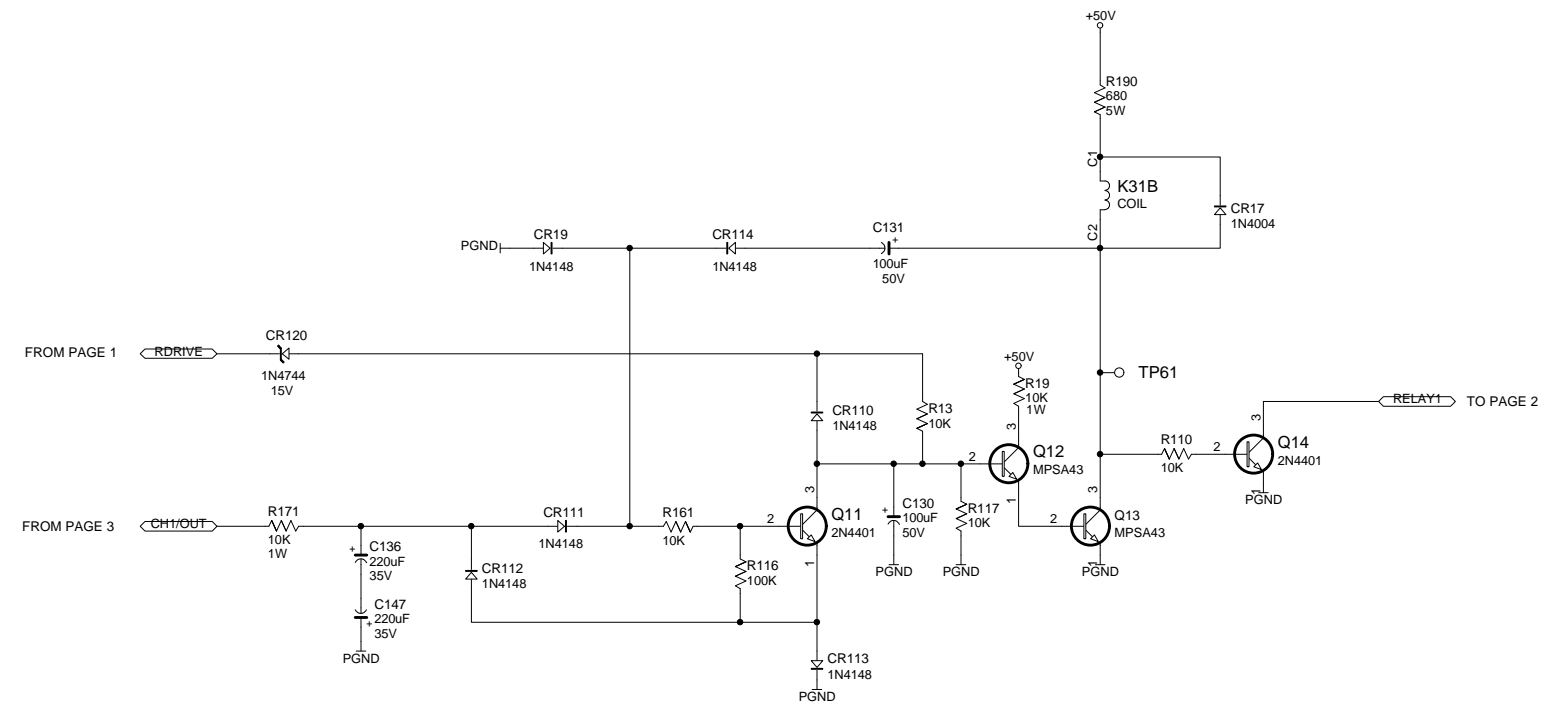
**CARVER PROFESSIONAL**

SCHEMATIC: AMP INPUT & GAIN STAGE  
 CARVER P.X SERIES 1450

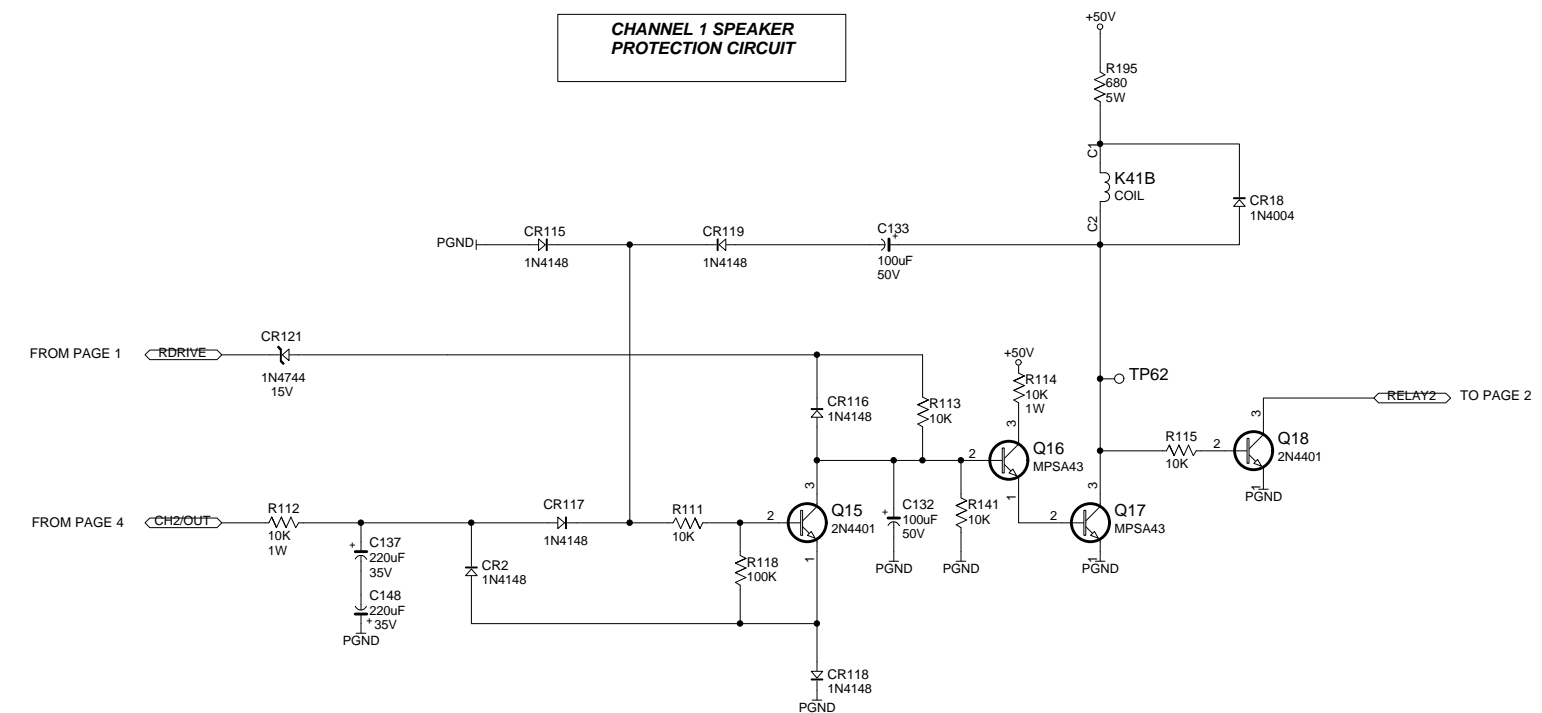
APPROVALS: CHECKED	DATE:	APPROVALS: ENGINEERING	DATE:	FILE: PX1450S5.SCH	DWG No. 8000.0102	REV C
--------------------	-------	------------------------	-------	--------------------	-------------------	-------

DRAWN BY: TIMOTHY SHEET 5 OF 9

REVISIONS			
REV	ECO	DESCRIPTION	DATE
A	2113	PRODUCTION RELEASE	03-19-97
B	2432	INPUT CIRCUIT RE-DESIGN	10-23-97
C	2886	Q12, 13, 14 & 15 WERE STP55N06 (SHEET 8)	10-31-99



**CHANNEL 1 SPEAKER PROTECTION CIRCUIT**

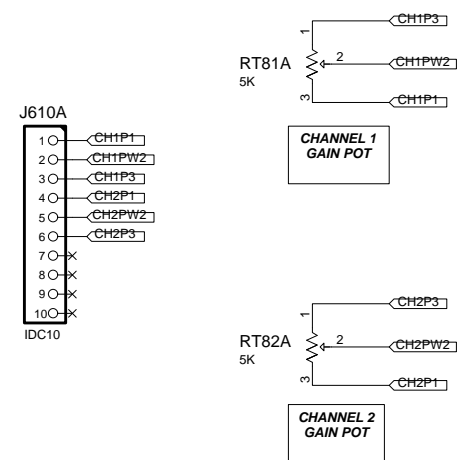


**CHANNEL 2 SPEAKER PROTECTION CIRCUIT**

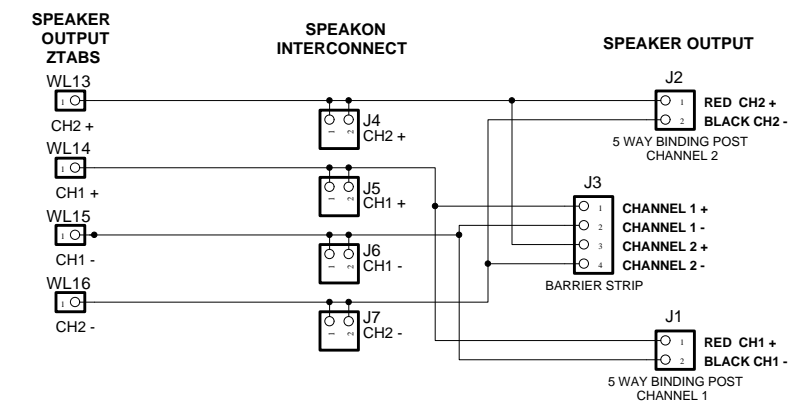
PROPRIETARY NOTICE  
 THE INFORMATION CONTAINED IN THIS DOCUMENT IS  
 PROPRIETARY TO PHOENIX GOLD AND SHALL NOT BE  
 REPRODUCED OR DISCLOSED IN WHOLE OR IN PART  
 WITHOUT PRIOR AUTHORIZATION FROM PHOENIX GOLD

<b>CARVER PROFESSIONAL</b>		SCHEMATIC: SPEAKER PROTECTION CARVER PX SERIES 850	
		APPROVALS: CHECKED	DATE: 8-Nov-1999
FILE: PX850S9.SCH	DWG No. 8000.0101	REV C	DRAWN BY: TIMOTHY SHEET 6 OF 9

REVISIONS			
REV	ECO	DESCRIPTION	DATE
A	2113	PRODUCTION RELEASE	03-19-97
B	2432	INPUT CIRCUIT RE-DESIGN	10-23-97
C	2886	Q12, 13, 14 & 15 WERE STP55N06 (SHEET 8)	10-31-99



**GAIN CONTROL**



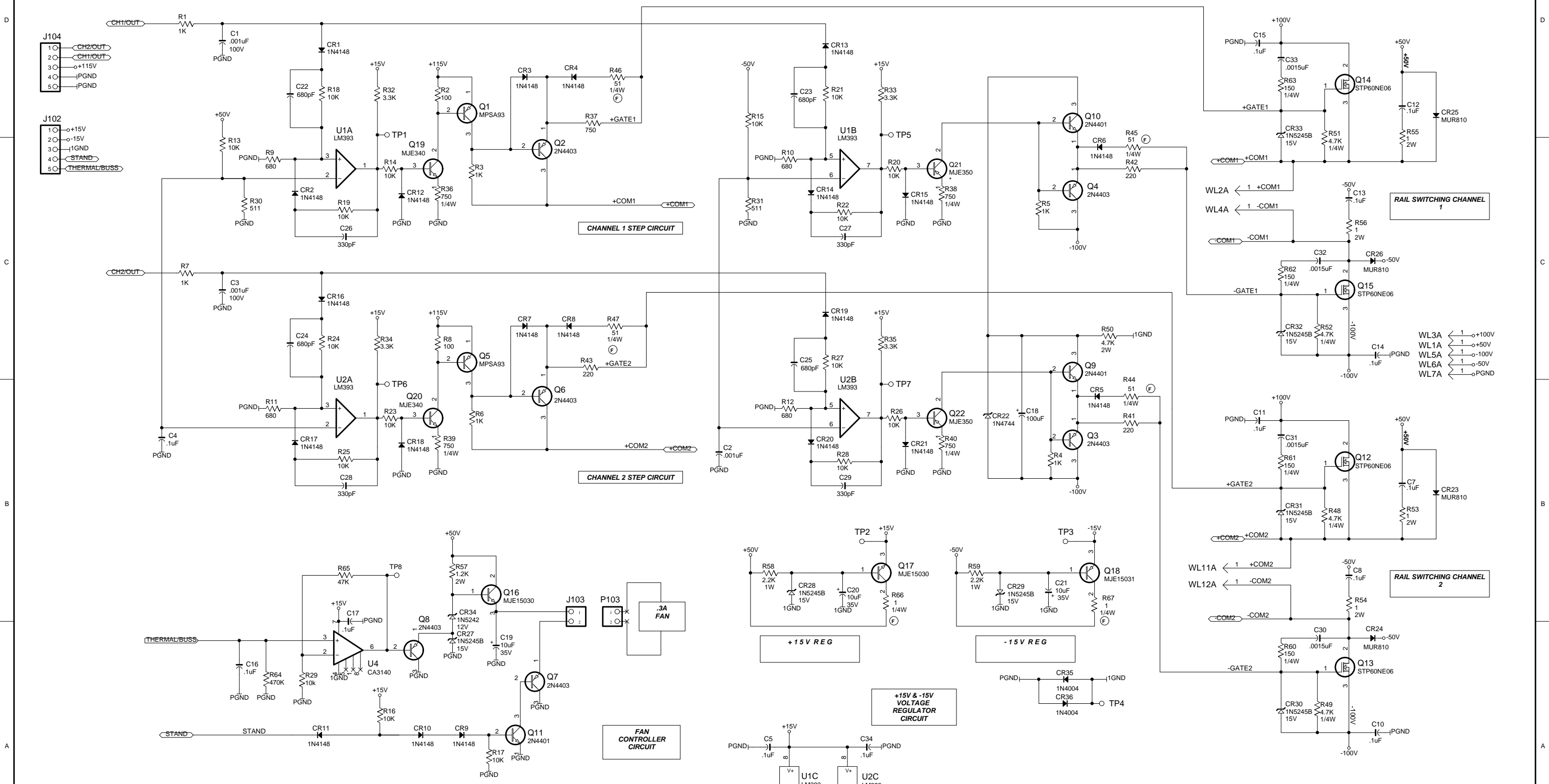
**OUTPUT**

- NOTES: UNLESS OTHERWISE SPECIFIED.
1. ALL RESISTORS VALUES ARE IN OHMS, 1/8W.
  2. ALL CAPACITORS ARE IN MICROFARADS.
  3. ALL FUSE RESISTORS 1/4W

PROPRIETARY NOTICE  
 THE INFORMATION CONTAINED IN THIS DOCUMENT IS  
 PROPRIETARY TO PHOENIX GOLD AND SHALL NOT BE  
 REPRODUCED OR DISCLOSED IN WHOLE OR IN PART  
 WITHOUT PRIOR AUTHORIZATION FROM PHOENIX GOLD

<b>CARVER PROFESSIONAL</b>		SCHEMATIC: GAIN CONTROL & OUTPUT CARVER PXSERIES1450	
		DATE: 8-Nov-1999 FILE: PX1500S7.SCH	DWG No. 8000.0102 SHEET 7 OF 9
APPROVALS: CHECKED:	DATE:	APPROVALS: ENGINEERING:	DATE:
		REV C	

REVISIONS			
REV	ECO	DESCRIPTION	DATE
A	2113	PRODUCTION RELEASE	03-19-97
B	2432	INPUT CIRCUIT RE-DESIGN	10-23-97
C	2886	Q12, 13, 14 & 15 WERE STP55N06	10-31-99



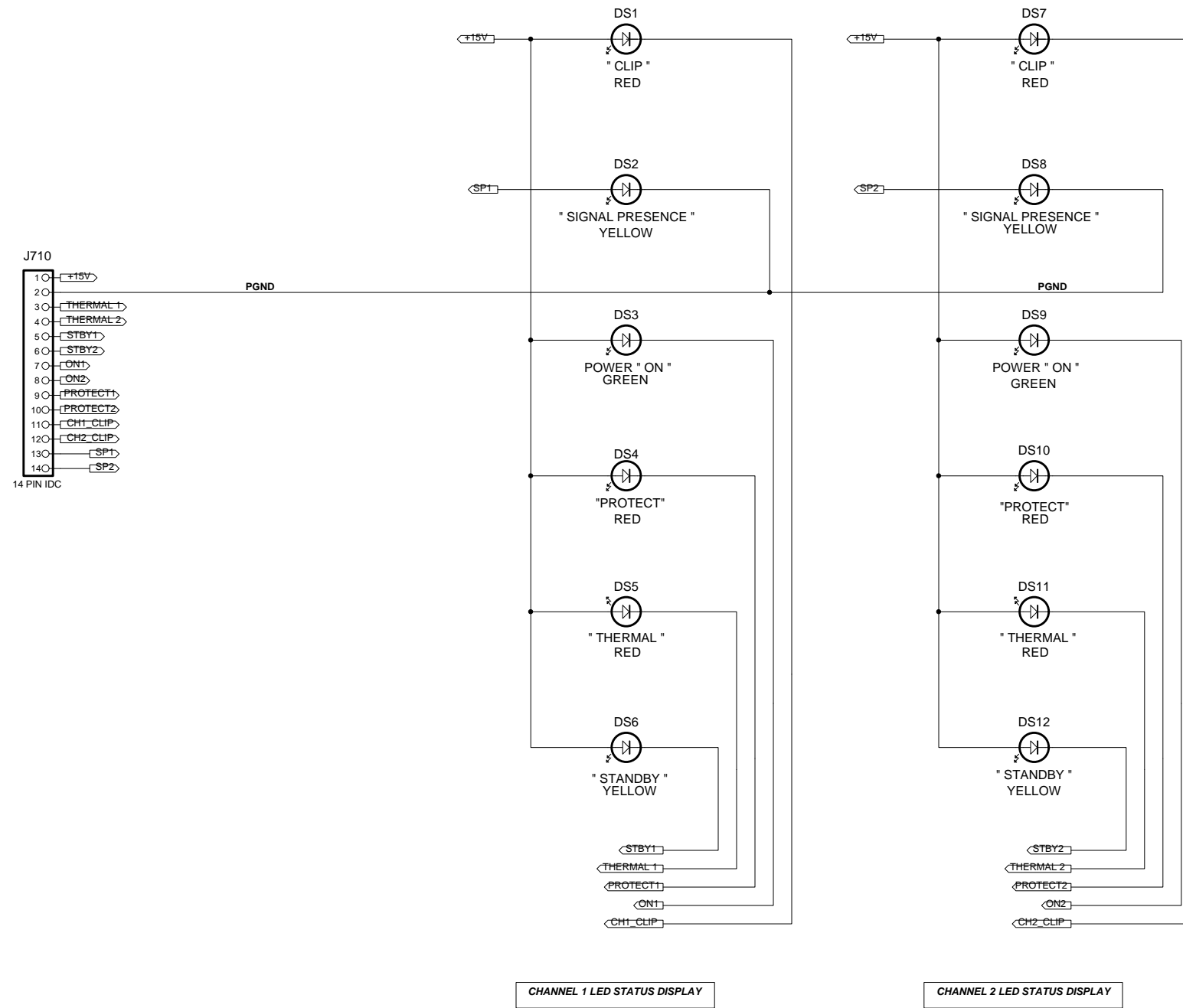
NOTES: UNLESS OTHERWISE SPECIFIED.  
 1. ALL RESISTORS VALUES ARE IN OHMS, 1/8W.  
 2. ALL CAPACITORS ARE IN MICROFARADS.  
 3. ALL FUSE RESISTORS 1/4W

PROPRIETARY NOTICE  
 THE INFORMATION CONTAINED IN THIS DOCUMENT IS PROPRIETARY TO PHOENIX GOLD AND SHALL NOT BE REPRODUCED OR DISCLOSED IN WHOLE OR IN PART WITHOUT PRIOR AUTHORIZATION FROM PHOENIX GOLD

<b>CARVER PROFESSIONAL</b> APPROVALS: CHECKED _____ DATE: _____ APPROVALS: ENGINEERING _____ DATE: _____		SCHEMATIC: STEP CONTROL CARVER PX SERIES 1450	
		FILE: PX1500S8 SCH	DWG No. 8000.0102
DRAWN BY: TIMOTHY		SHEET 8 OF 9	



REVISIONS			
REV	ECO	DESCRIPTION	DATE
A	2113	PRODUCTION RELEASE	03-19-97
B	2432	INPUT CIRCUIT RE-DESIGN	10-23-97
C	2886	Q12, 13, 14 & 15 WERE STP55N06 (SHEET 8)	10-31-99



- NOTES: UNLESS OTHERWISE SPECIFIED.
1. ALL RESISTORS VALUES ARE IN OHMS, 1/8W.
  2. ALL CAPACITORS ARE IN MICROFARADS.
  3. ALL FUSE RESISTORS 1/4W

PROPRIETARY NOTICE  
 THE INFORMATION CONTAINED IN THIS DOCUMENT IS PROPRIETARY TO PHOENIX GOLD AND SHALL NOT BE REPRODUCED OR DISCLOSED IN WHOLE OR IN PART WITHOUT PRIOR AUTHORIZATION FROM PHOENIX GOLD

<b>CARVER PROFESSIONAL</b>		SCHEMATIC: DISPLAY CARVER PXSERIES 1450	
APPROVALS: CHECKED	DATE:	APPROVALS: ENGINEERING	DATE:
FILE: PX1500S6 SCH	DWG No. 8000.0102	REV C	
DRAWN BY: TIMOTHY		SHEET 9 OF 9	