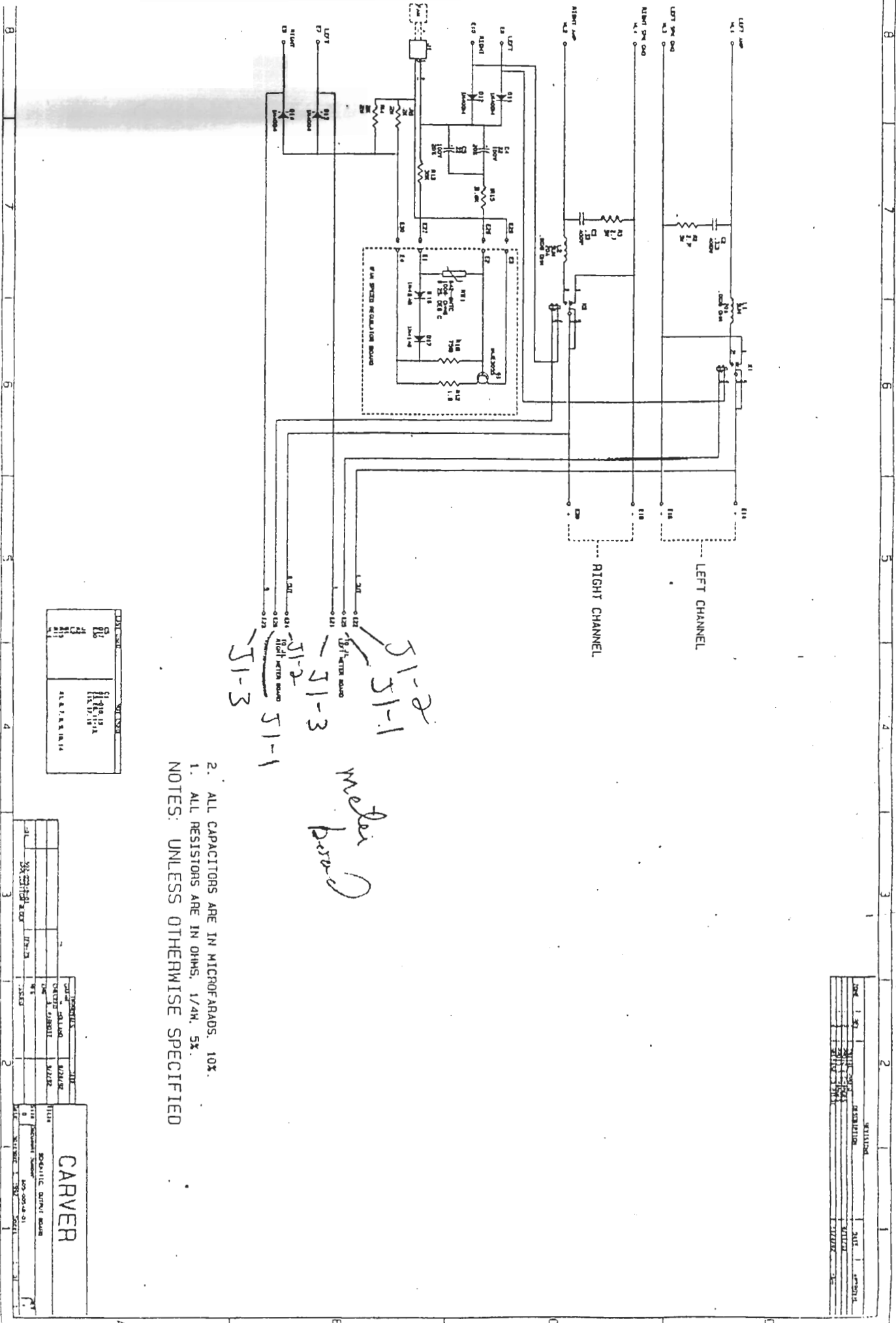


CARVER

TFM-75

SCHEMATICS



2. ALL CAPACITORS ARE IN MICROFARADS. 10%.
1. ALL RESISTORS ARE IN OHMS, 1/4W, 5%.
- NOTES: UNLESS OTHERWISE SPECIFIED

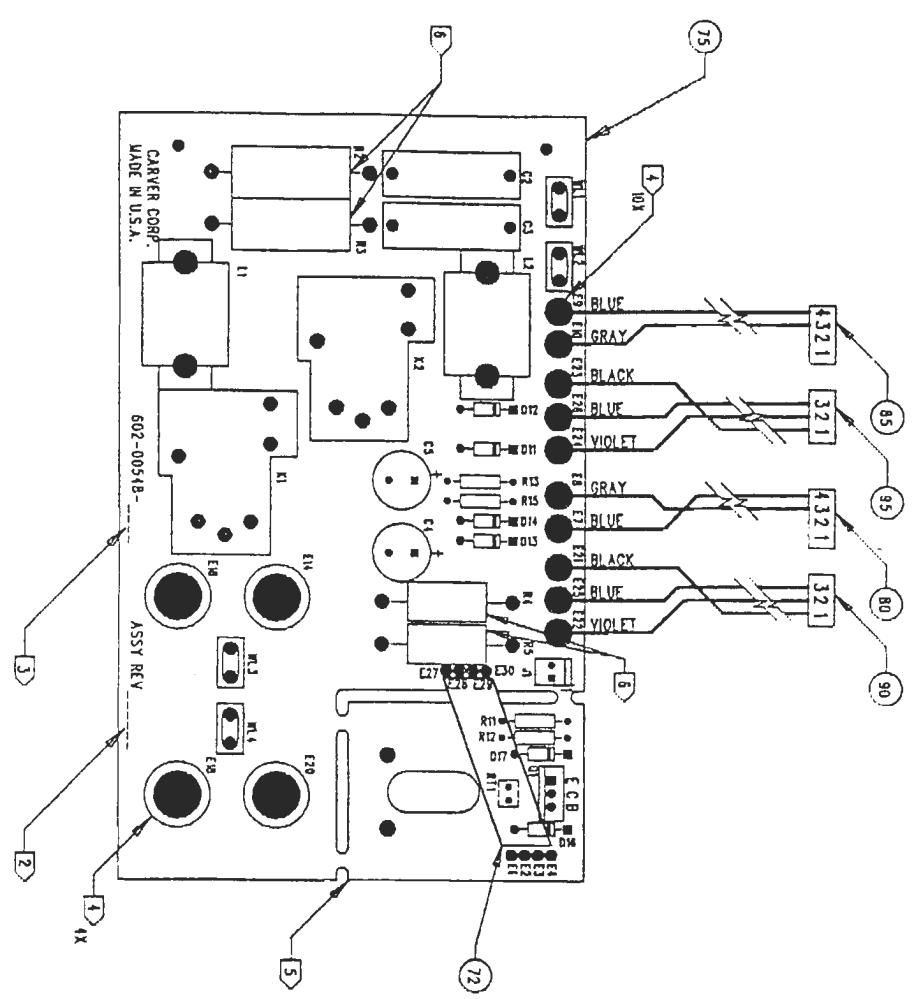
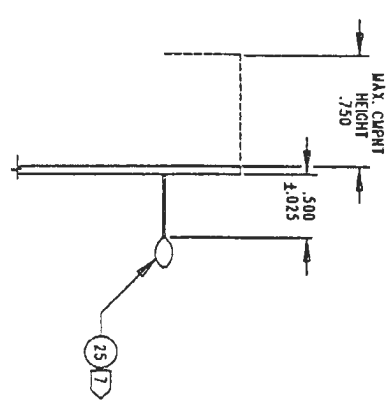
Q1	5A5	5A5
Q2	6A6	6A6
Q3	6X4	6X4
Q4	6X4	6X4
Q5	6X4	6X4
Q6	6X4	6X4
Q7	6X4	6X4
Q8	6X4	6X4
Q9	6X4	6X4
Q10	6X4	6X4

Q1	5A5	5A5
Q2	6A6	6A6
Q3	6X4	6X4
Q4	6X4	6X4
Q5	6X4	6X4
Q6	6X4	6X4
Q7	6X4	6X4
Q8	6X4	6X4
Q9	6X4	6X4
Q10	6X4	6X4

CARVER

DATE	1951
DESIGNER	...
DRIVER	...
TESTER	...

REV	DESCRIPTION	DATE
1	ISSUE FOR PRODUCTION	05-11-81
2	RELIEF TO RIGHT	05-18-81
3	RELIEF TO PRODUCTION	05-11-81



8. ASSEMBLE PER CARVER WORKSHOP STANDARDS WP20001.
- 1. INSTALL RT1 TO THE SOLDER SIDE OF THE BOARD AS SHOWN.
 - 2. R2, R3, R4, AND R5 TO BE MOUNTED OFF PCB BY .25.
 - 3. DO NOT BREAK BOARDS APART UNTIL FINAL ASSEMBLY.
 - 4. COMPONENT HOLES TO BE WASHED BEFORE FLOW SOLDER ARE: E14, E6, E8, E9, E10, E23, E28, E4, E, 7, 21, 25, AND 22.
 - 5. MARK DASH NO. WITH CONTRASTING, NON-CONDUCTIVE INK.
 - 6. MARK ASSY. REV. WITH CONTRASTING, NON-CONDUCTIVE INK.
 - 7. ALL ITEMS ON 602-00548-01 PARTS LIST

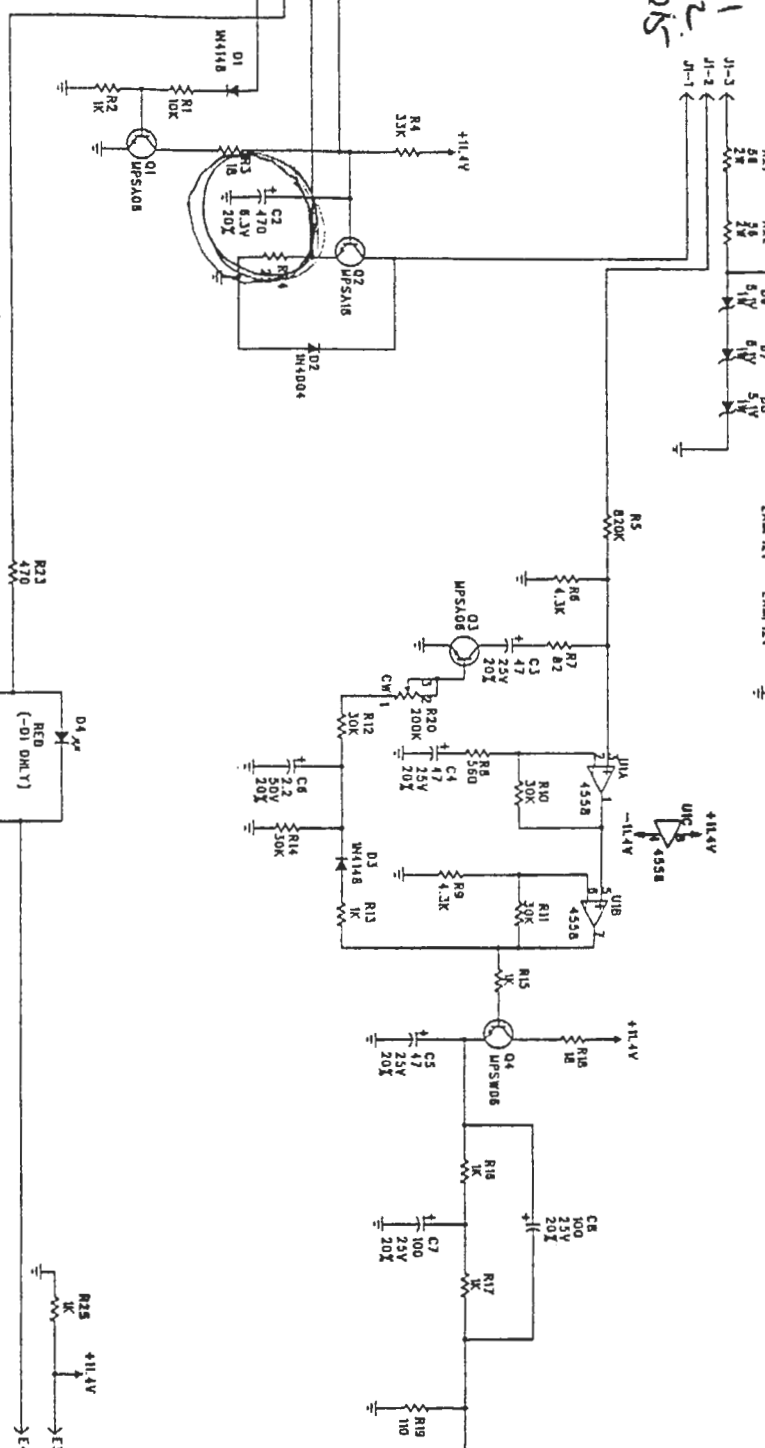
NOTES: UNLESS OTHERWISE SPECIFIED.

APPROVALS		DATE
DESIGNED BY	DATE	
DRAWN BY	DATE	
CHECKED BY	DATE	
APPROVED BY	DATE	
CARVER		
CCA, OUTPUT		
REV	DESCRIPTION	DATE
1	ISSUE FOR PRODUCTION	05-11-81
2	RELIEF TO RIGHT	05-18-81
3	RELIEF TO PRODUCTION	05-11-81

REV	DATE	DESCRIPTION	APPROVED
1	01-19-93	PROTO 1 CHANGES	BP
2	01-19-93	PROTO 2 CHANGES	BP
3	01-19-93	PRODUCTION RELEASE RFA 0341	BP
4	09-09-93	EP RFA 0891	BP

PRODUCTION

CONFIDENTIAL



COMPONENT	LAST USED	NOT USED
C1		
C2		
C3		
C4		
C5		
C6		
C7		

-01 = METER, RIGHT
-02 = METER, LEFT

- NOTES: UNLESS OTHERWISE SPECIFIED.
1. ALL DIMENSIONS ARE IN OHMS, 1/4W, 5%
 2. ALL CAPACITORS ARE IN MICROGRAMS, 10%, 100V.

APPROVALS	DATE	TITLE
DRYER, DON PASON	1/9/93	SCHEMATIC, METER
CHICKER & FARMOTT	1/17/93	
W. L. VICKERS	1/17/93	
K. BALTER	1/17/93	
SCALE: NONE		SIZE D
		DWG. 605-00550-XX
		SHEET 1 OF 1

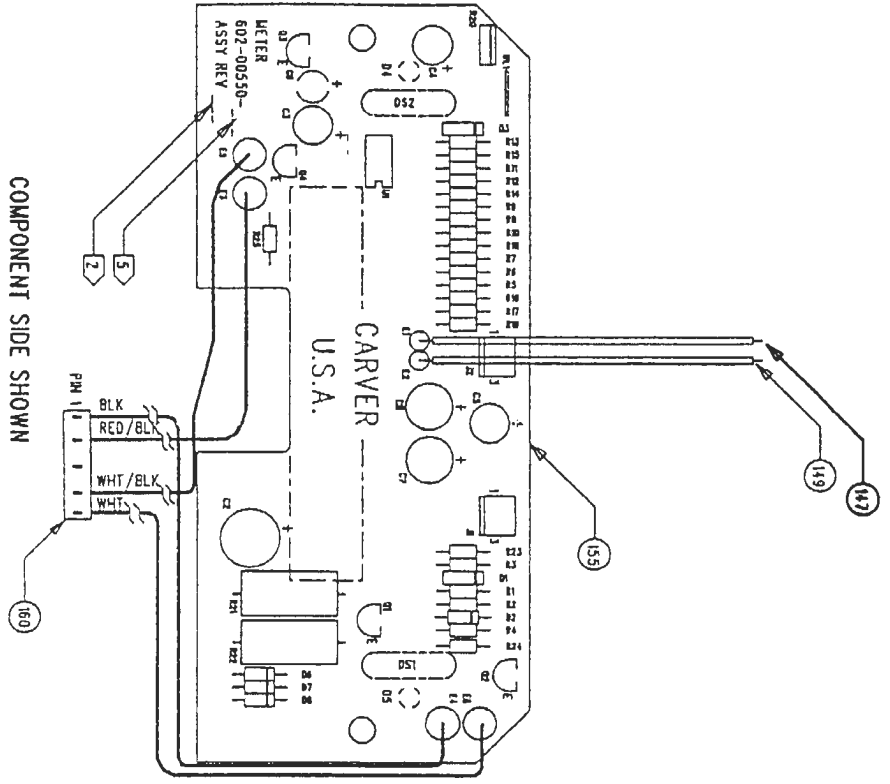
REV	DATE	DESCRIPTION	BY
1	7/27/73	PHOTO 1 CHANGES	W-2-31
2	8-2-73	PHOTO 2 CHANGES	W-2-31
A	03-08-73	PRODUCTION RELEASE: REF 1281	W-2-31
B	07/27/73	INC. CS9 1144	W-2-31

602-00550-XX 1 of 9

PRODUCTION

**PROPRIETARY TO
CARVER
CONFIDENTIAL**

8. ASSY PER CARVER WORKMANSHIP STANDARD WP20001
 5. MARK DASH NO. WITH CONTRASTING, NON-CONDUCTIVE INK.
 4. AFFIX FOAM TAPE TO CIRCUIT SIDE OF PCB IN APPROXIMATE LOCATION SHOWN AFTER WAVE SOLDER. TAPE LENGTH IS 3.0 +/- .1.
 3. COMPONENT TO BE INSTALLED ON CIRCUIT SIDE OF PCB AFTER WAVE SOLDER.
 2. MARK ASSY. REV. WITH CONTRASTING, NON-CONDUCTIVE INK.
 1. USE PARTS LIST 602-09550-XX
- NOTES: UNLESS OTHERWISE SPECIFIED



COMPONENT SIDE SHOWN

-02 = METER LEFT
-01 = METER RIGHT

REV	DATE	DESCRIPTION	BY
1	7/27/73	PHOTO 1 CHANGES	W-2-31
2	8-2-73	PHOTO 2 CHANGES	W-2-31
A	03-08-73	PRODUCTION RELEASE: REF 1281	W-2-31
B	07/27/73	INC. CS9 1144	W-2-31

REV	DATE	DESCRIPTION	BY
1	7/27/73	PHOTO 1 CHANGES	W-2-31
2	8-2-73	PHOTO 2 CHANGES	W-2-31
A	03-08-73	PRODUCTION RELEASE: REF 1281	W-2-31
B	07/27/73	INC. CS9 1144	W-2-31

REV	DATE	DESCRIPTION	BY
1	7/27/73	PHOTO 1 CHANGES	W-2-31
2	8-2-73	PHOTO 2 CHANGES	W-2-31
A	03-08-73	PRODUCTION RELEASE: REF 1281	W-2-31
B	07/27/73	INC. CS9 1144	W-2-31

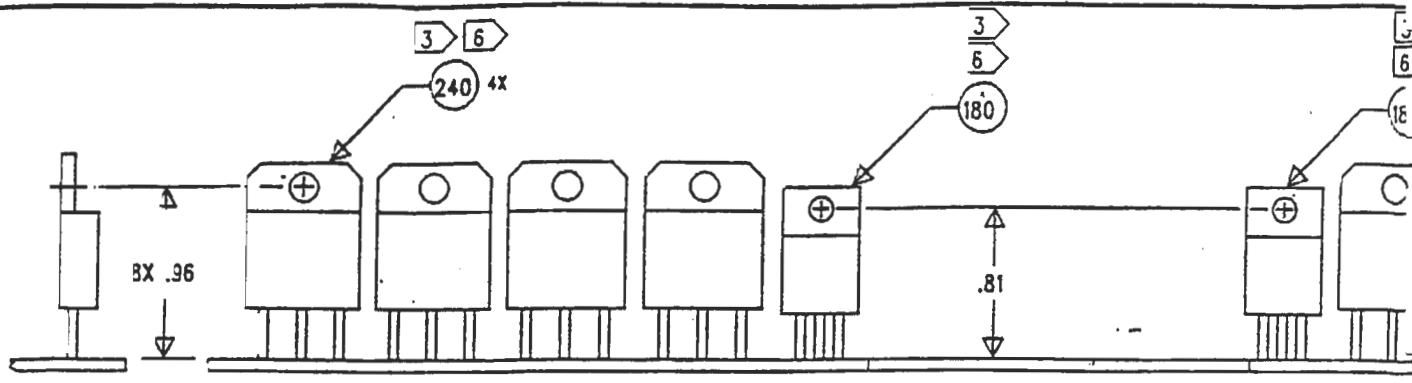
CARVER CORPORATION

PCB ASSY, METER

602-00550-XX

8 7 6 5 4 3 2

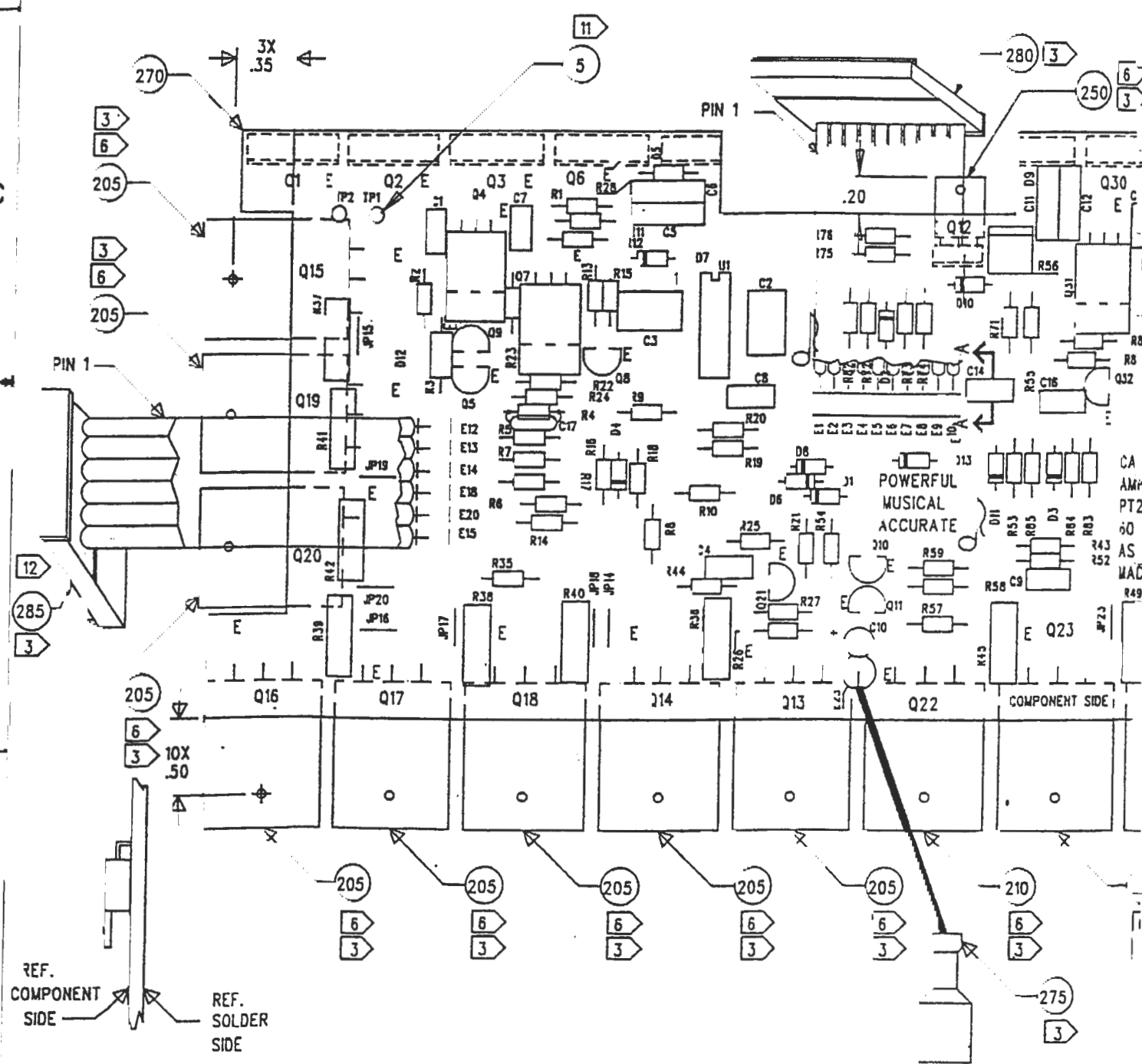
D



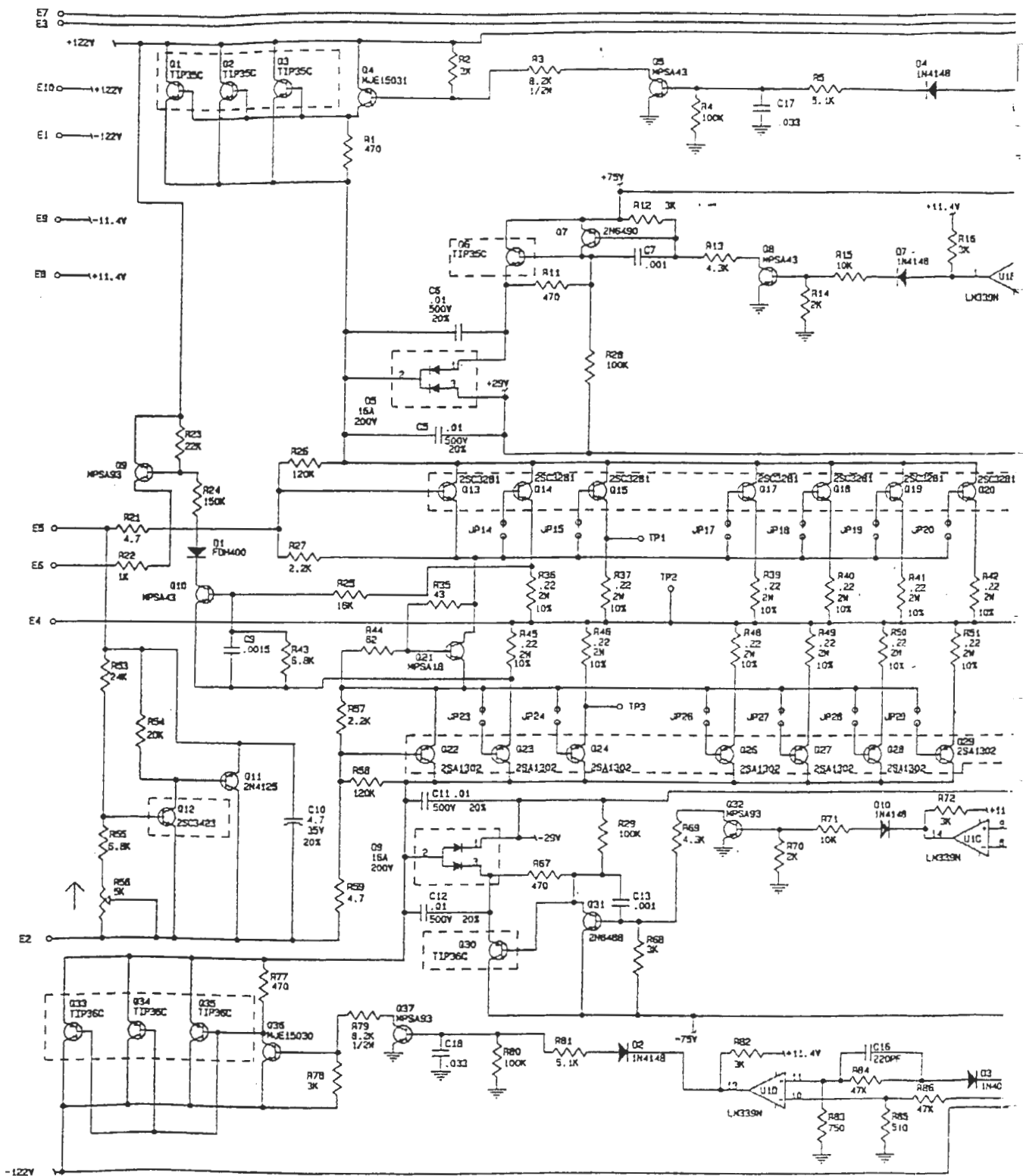
C

B

A



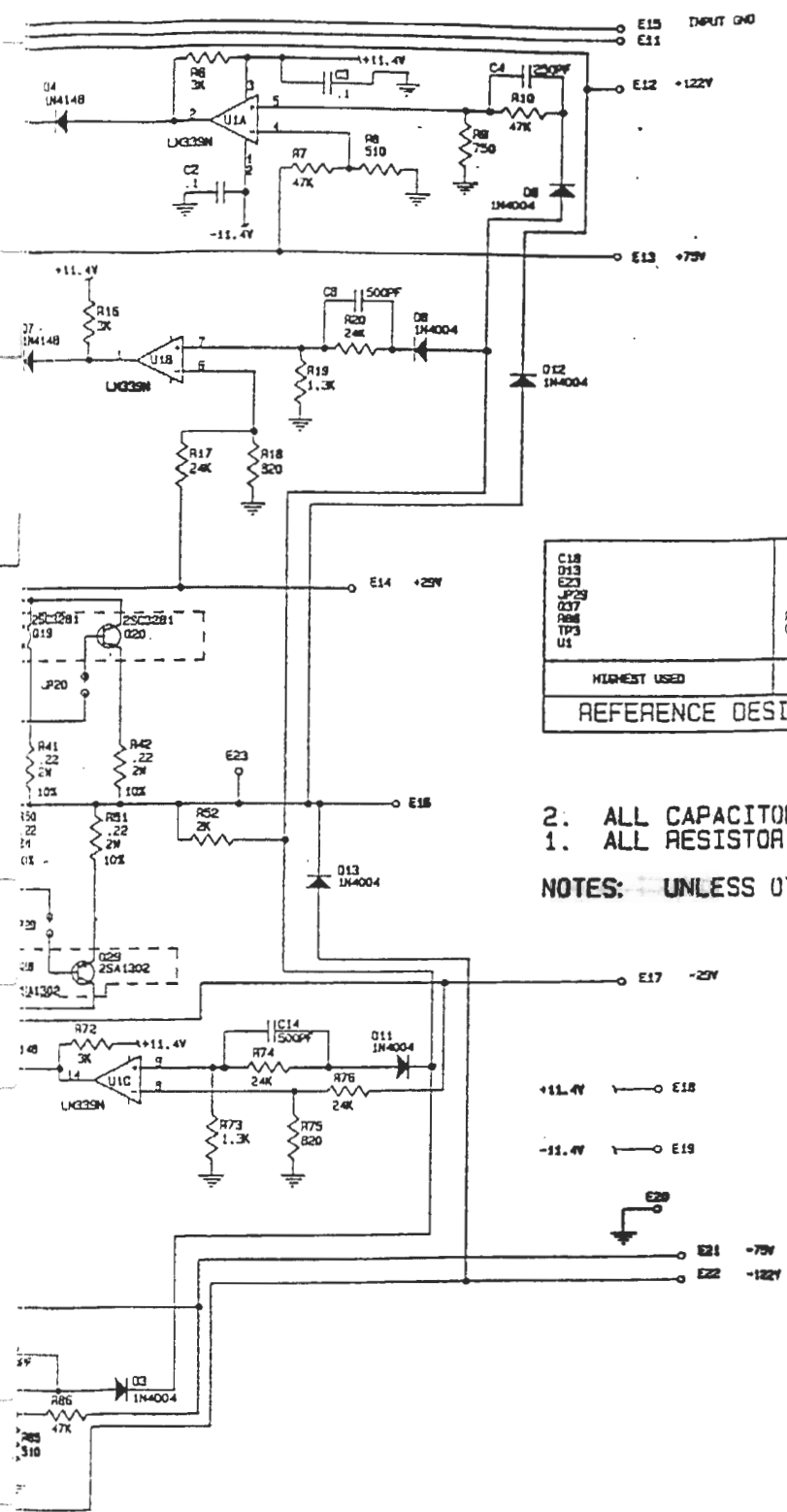
TYP. Q4,Q7,Q31,Q36



REVISIONS

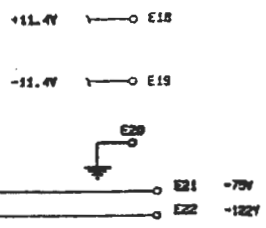
REV	DESCRIPTION	APPROVED
A	RELEASE TO PRODUCTION	
B	INCORPORATED ECO 3317	RP <i>Br Jd</i>

PRODUCTION
PROPRIETARY TO
CARVER
CONFIDENTIAL



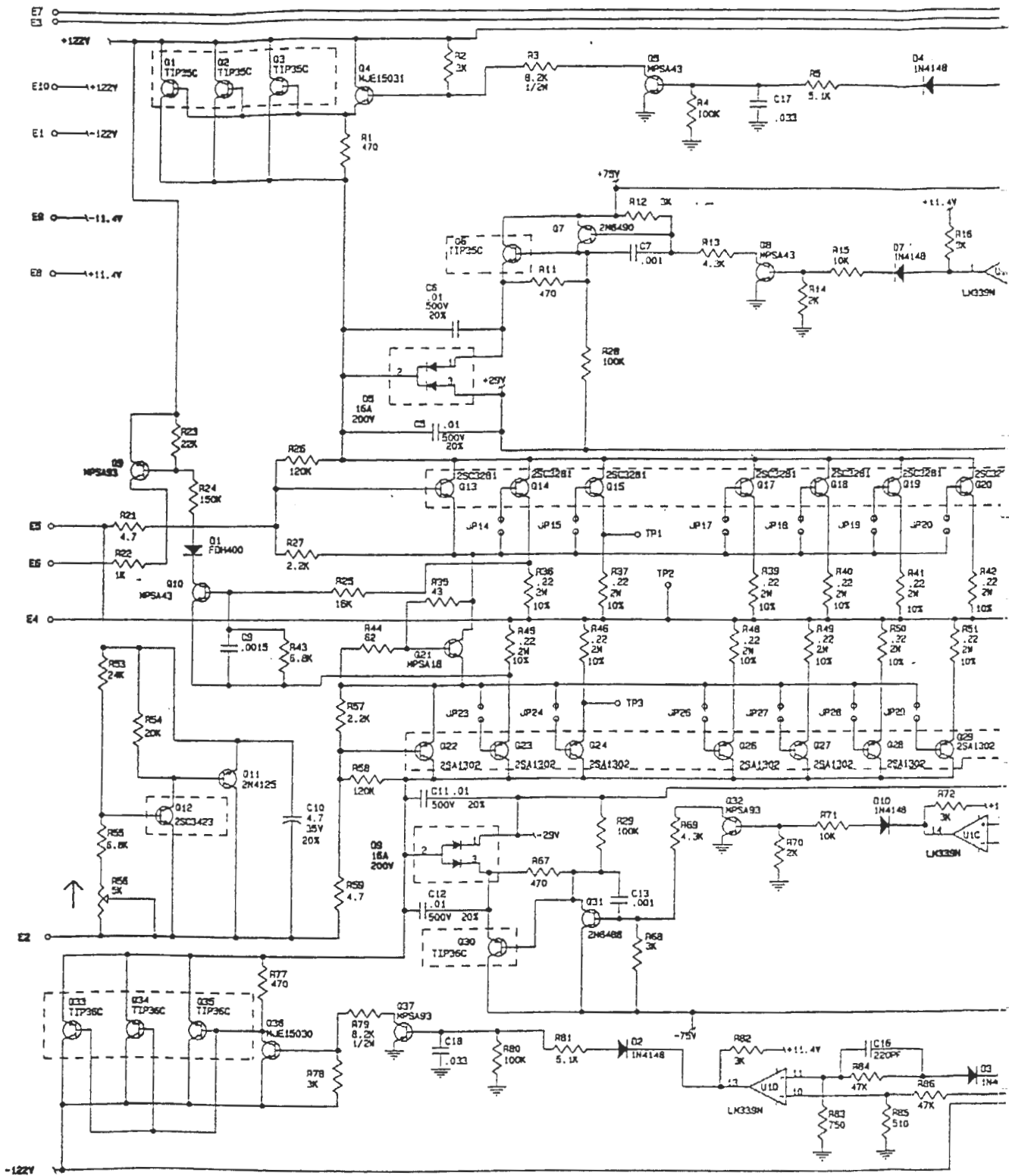
C18 D13 E23 JP29 Q37 R86 TP3 U1	R30-R34 CL C15	R60-R68
HIGHEST USED	NOT USED	
REFERENCE DESIGNATORS		

2. ALL CAPACITOR VALUES IN MICROFARADS. 10%.
 1. ALL RESISTOR VALUES IN OHMS. 1/4W. 5%.
 NOTES: UNLESS OTHERWISE SPECIFIED



APPROVAL		DATE	
DRAWN	R. PASCO	04/01/91	
CHECKED	B. COTE	4/91	
ENG	D. GRIFFITHS	4/91	
APP'G	M. WALTERS	4/91	
ISSUED	S. VELTZ	4/91	

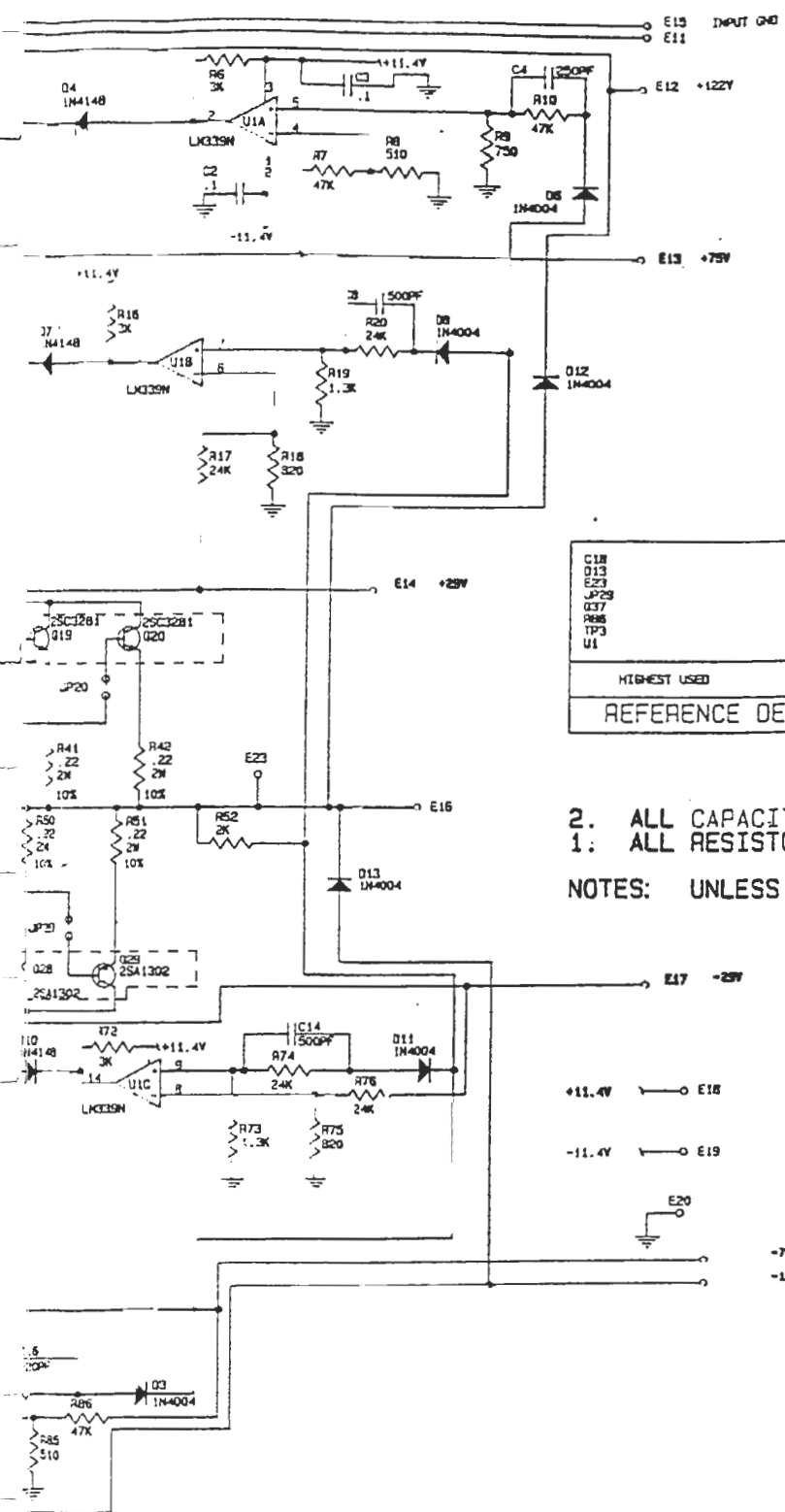
-02	502-00408-02	TFM-75		CARVER CORPORATION 20121 48TH AVE. N. LYNNWOOD, WA 98036 (206) 775-1202
DASH NO.	NEXT ASSY	USED ON		
APPLICATION				Title: SCHEMATIC PCB TFM-75 AMP BOARD Size: Document Number: 502-00408-02 Date: April 2, 1991 Sheet: 1 of 1



REVISIONS

REV	DESCRIPTION	APPROVED
A	RELEASE TO PRODUCTION	
B	INCORPORATED ECO 0317	RP <i>Br</i>

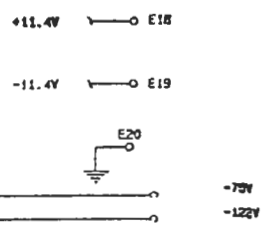
PRODUCTION
PROPRIETARY TO
CARYER
CONFIDENTIAL



C18 D13 E23 JP29 Q37 R86 TP3 U1	R30-R34 C1, C15	R60-R66
HIGHEST USED	NOT USED	
REFERENCE DESIGNATORS		

- 2. ALL CAPACITOR VALUES IN MICROFARADS, 10%.
- 1. ALL RESISTOR VALUES IN OHMS, 1/4W, 5%.

NOTES: UNLESS OTHERWISE SPECIFIED



APPROVAL			DATE
DESIGN	R. PASCO		04/01/91
CHECKED	B. COTE		4/91
ENG	D. GRIFFITHS		4/91
PGS	M. WALTERS		4/91
ISSUED	S. VELTZ		4/91

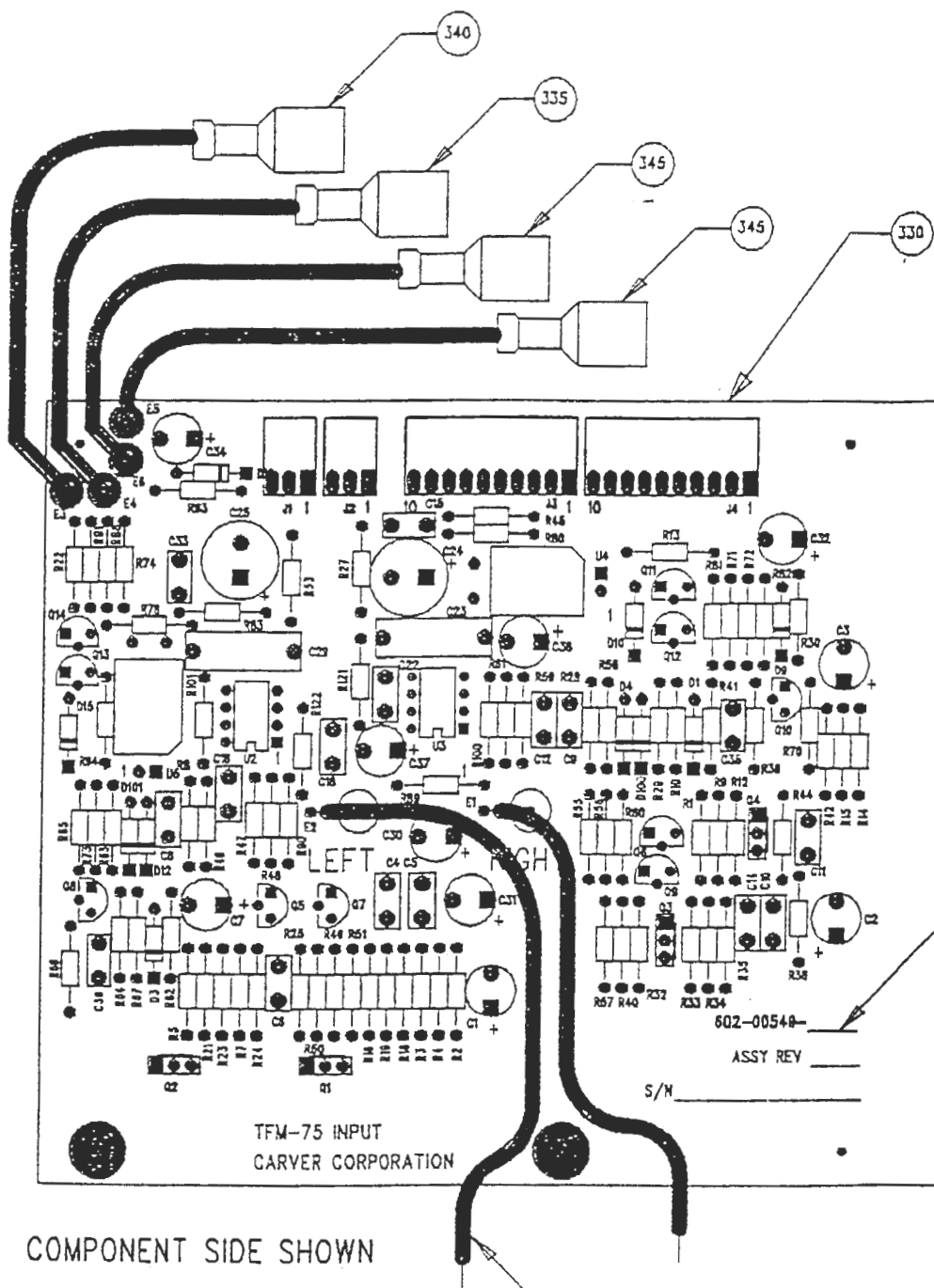
CARYER CORPORATION 20121 48TH AVE. N. LYNNWOOD, WA 98036 (206) 772-1202		
Title: SCHEMATIC, PCB, TFX-75 AMP BOARD		
Size	Document Number	REV
0	605-00-408-02	8
Date:	APR 11 2 1991	Sheet: 1 of 1

D

C

B

A



COMPONENT SIDE SHOWN

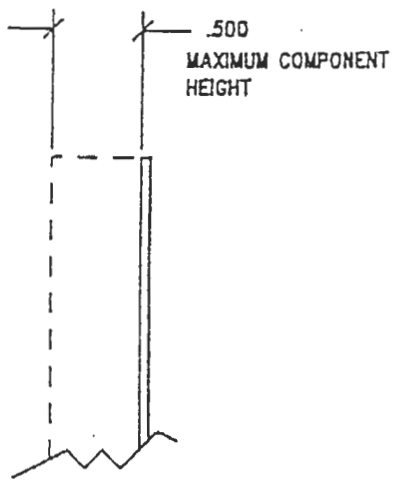
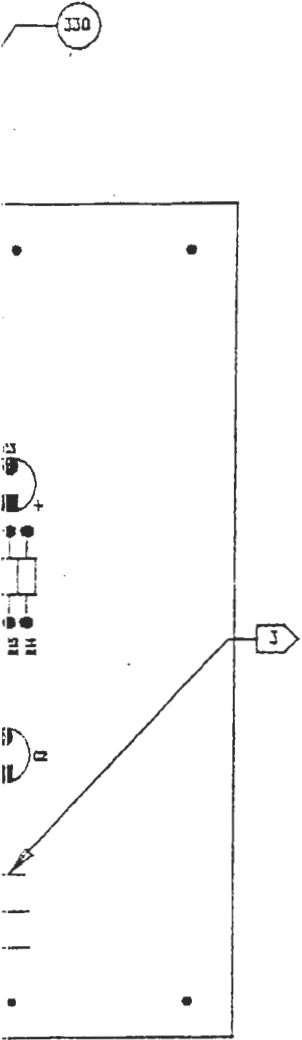
TFM-75 INPUT
CARVER CORPORATION

602-00548-
ASSY REV _____

S/N _____

310
2X

PART NO. 602-00549-01		REV. 1	REV. B	1
REVISIONS				
ZONE	REV.	DESCRIPTION	DATE	APPROVED
A		RELEASE TO PRODUCTION PER ECO 3311	03-15-93	
B		INCORPORATED ECO 3319	03-30-93	EP

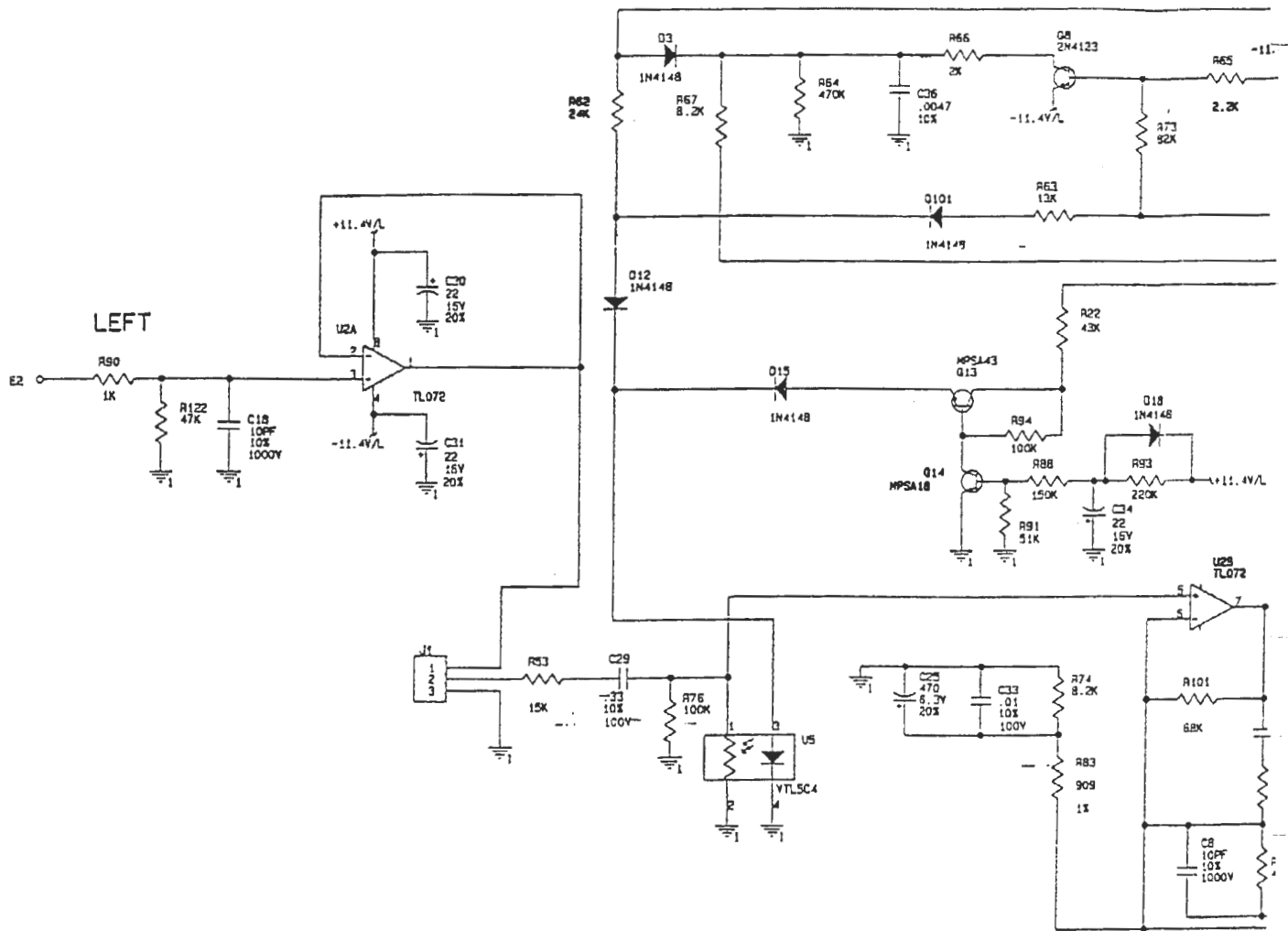


PROPRIETARY TO
CARVER
 CONFIDENTIAL

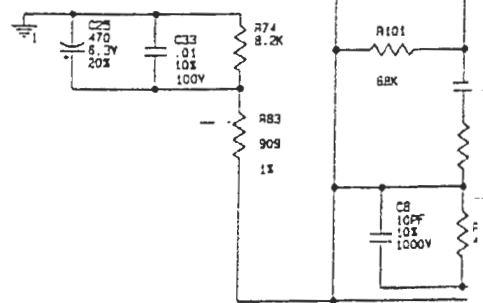
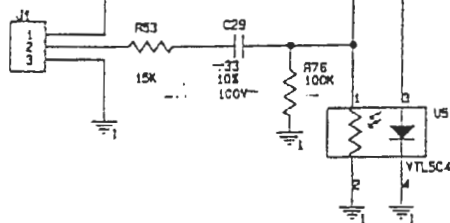
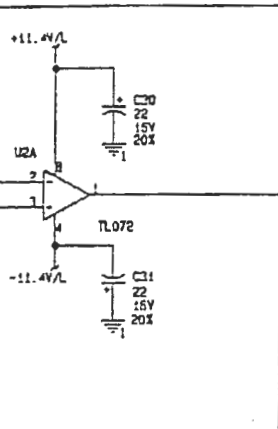
PRODUCTION

8. MAXIMUM COMPONENT HEIGHT IS .500.
 7. SQUARE PAD INDICATES PIN NO. ONE EXCEPT FOR U4 AND U5.
 6. SOLDER PLUG NOT REQUIRED.
 5. SEE 605-00549-01 FOR SCHEMATIC DIAGRAM.
 4. TEST IN ACCORDANCE ATP 099-10001-01.
 3. MARK APPROPRIATE DASH NO., REV AND SERIAL NO. USING CONTRASTING, NON-CONDUCTIVE INK IN .10 MIN HIGH CHARACTERS.
 2. WORKMANSHIP IN ACCORDANCE WITH CARVER WORKMANSHIP STANDARDS MP20001.
 1. ALL ITEMS ON 602-00549-01 PARTS LIST.
- NOTES: UNLESS OTHERWISE SPECIFIED

UNLESS OTHERWISE SPECIFIED DIMENSIONS ARE IN INCHES UNLESS OTHERWISE NOTED			CONTRACT NO.		CARVER CORPORATION			
PRECISION	REWORKABLE	ASSEMBLY	APPROVED	DATE				
A N/A	XX & B/A	N/A			PCB ASSY, TFM-75 INPUT			
	XX & B/A	N/A						
			DATE	TRH	8-0-92	PART NO. 602-00549-01		
				B. PARROTT	12/2/92			
				S. YELIZ	12/92	SCALE 2/1	FILE NO.	SHEET 1 OF 1
				V. RICHARDSON	12/92			
APPLICATION	DO NOT SCALE DRAWING							

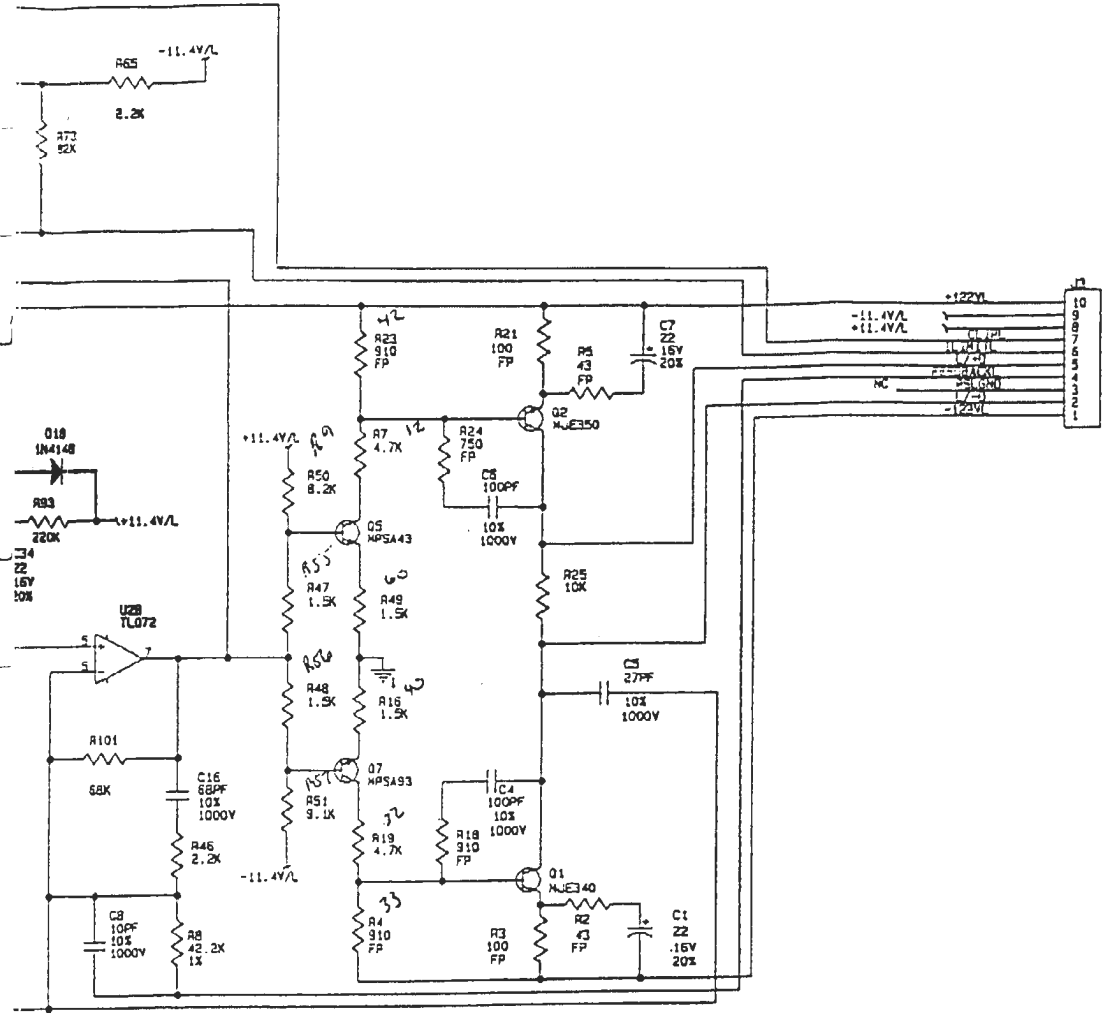


LEFT



Right Channel

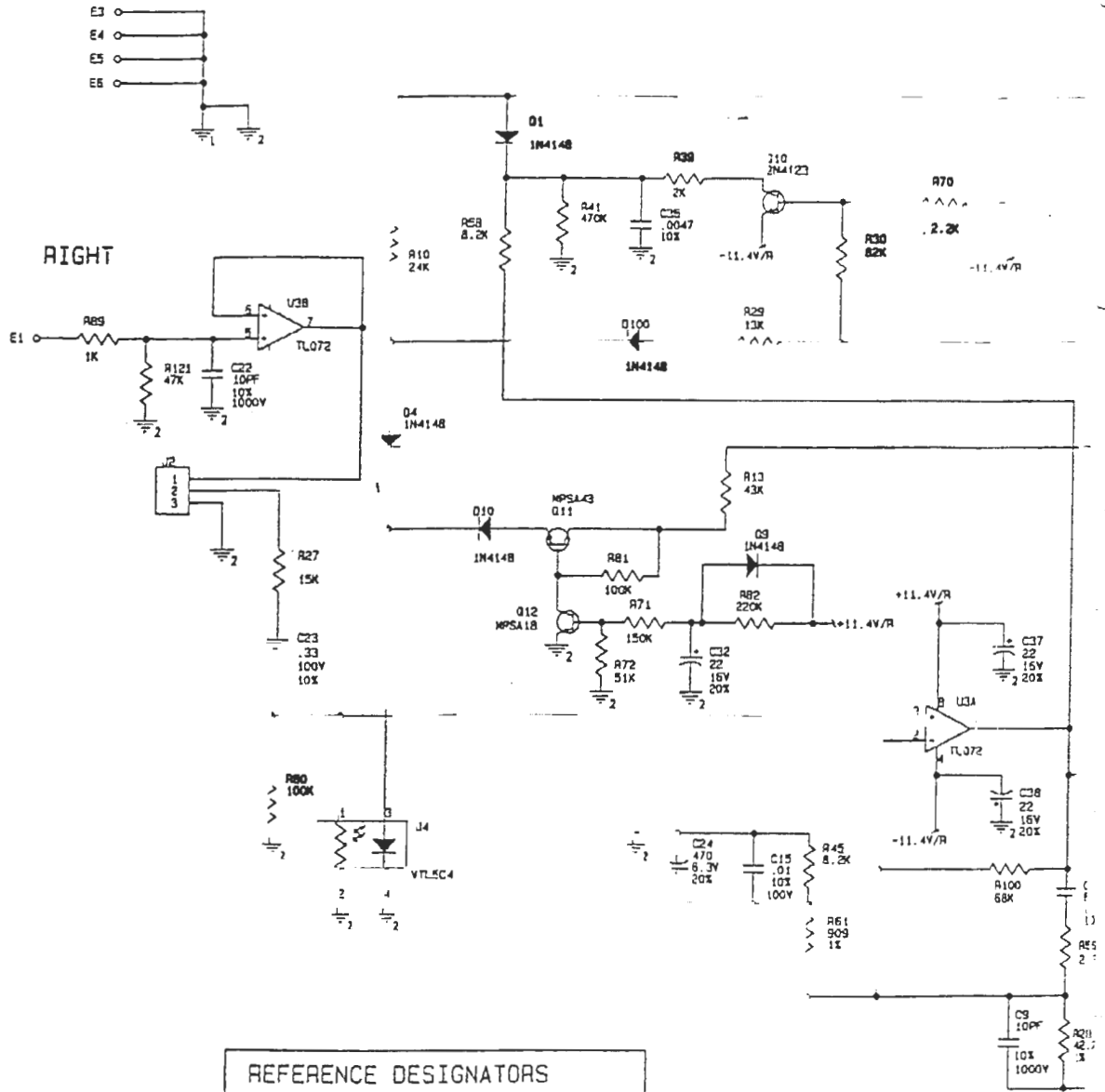
REVISIONS				
NO	REV	DESCRIPTION	DATE	APPROVAL



LEFT CHANNEL

CARVER

Site	Document Number	REV
0	605-00549-01	C
Date:	June 24 1993	Sheet 2 of 2



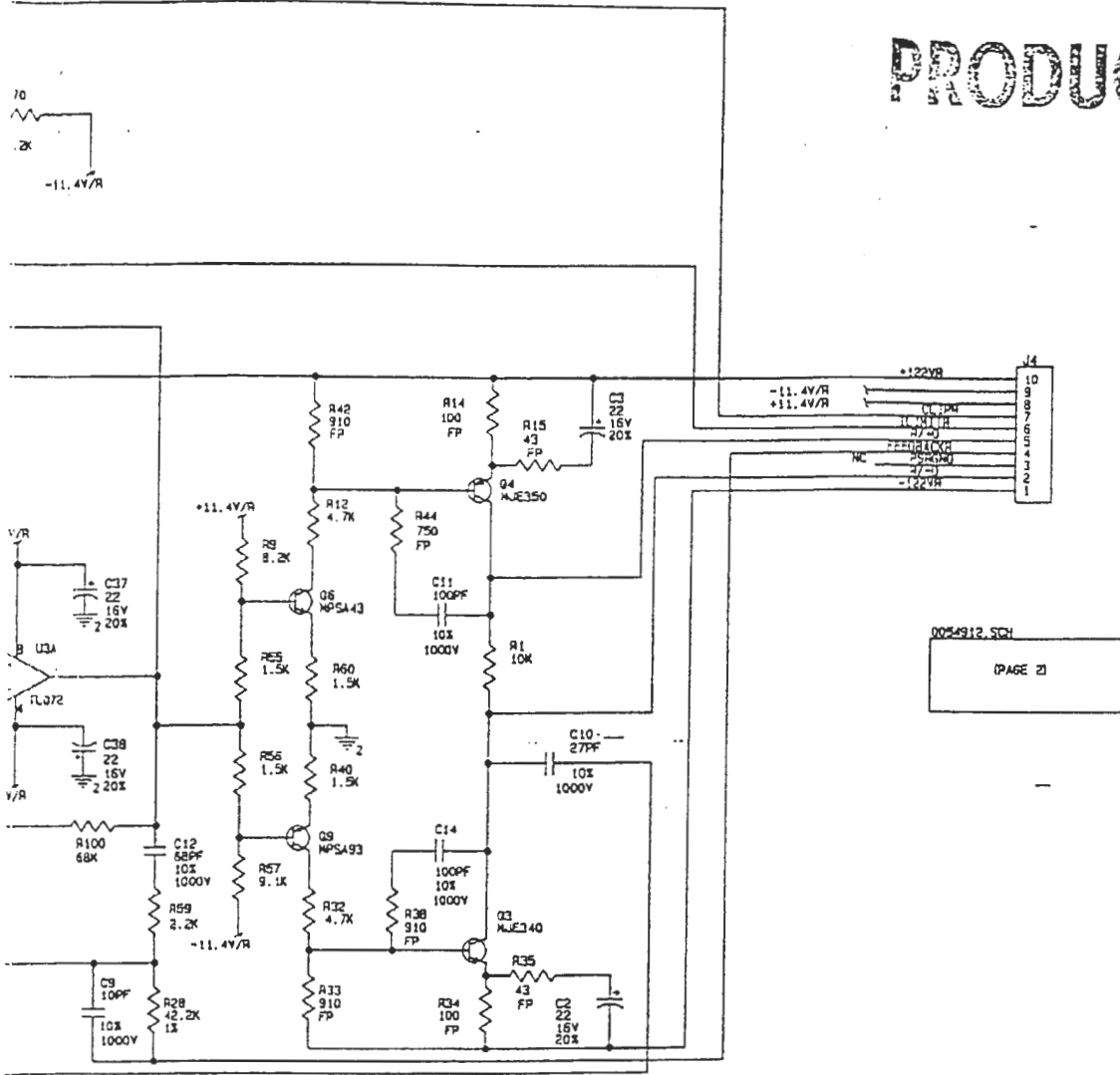
REFERENCE DESIGNATORS	
LAST USED	NOT USED
C38	C13, 17, 19-21, 26-28
Q101	Q2, 5-8, 11, 13, 14, 16, 17, 19-99
E6	R6, 11, 17, 20, 26, 31, 36, 37, 43
J4	R52, 54, 58, 69, 75, 77-79, 84-87
Q14	Q2, 95-99, 102-120
R122	U1
U5	

RIGHT

REVISIONS				
TIME	REV	DESCRIPTION	DATE	APPROVAL
	A	PRODUCTION RELEASE PER ECR 3311	03/15/93	
	B	INC ECR 3319	03/21/93	SP MK
	C	INC ECR 3361	M.F.H. 6/25/93	BP-ml

PROPRIETARY TO
CARVER
CORPORATION

PRODUCTION

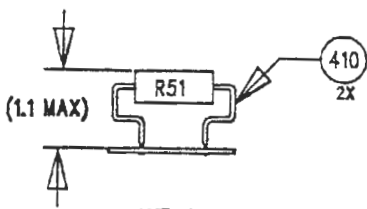


RIGHT CHANNEL

3. ABBREVIATIONS: FP = FLAME PROOF
2. ALL CAPACITORS ARE IN MICROFARADS. 100V 5%.
1. ALL RESISTORS ARE IN OHMS. 5%.

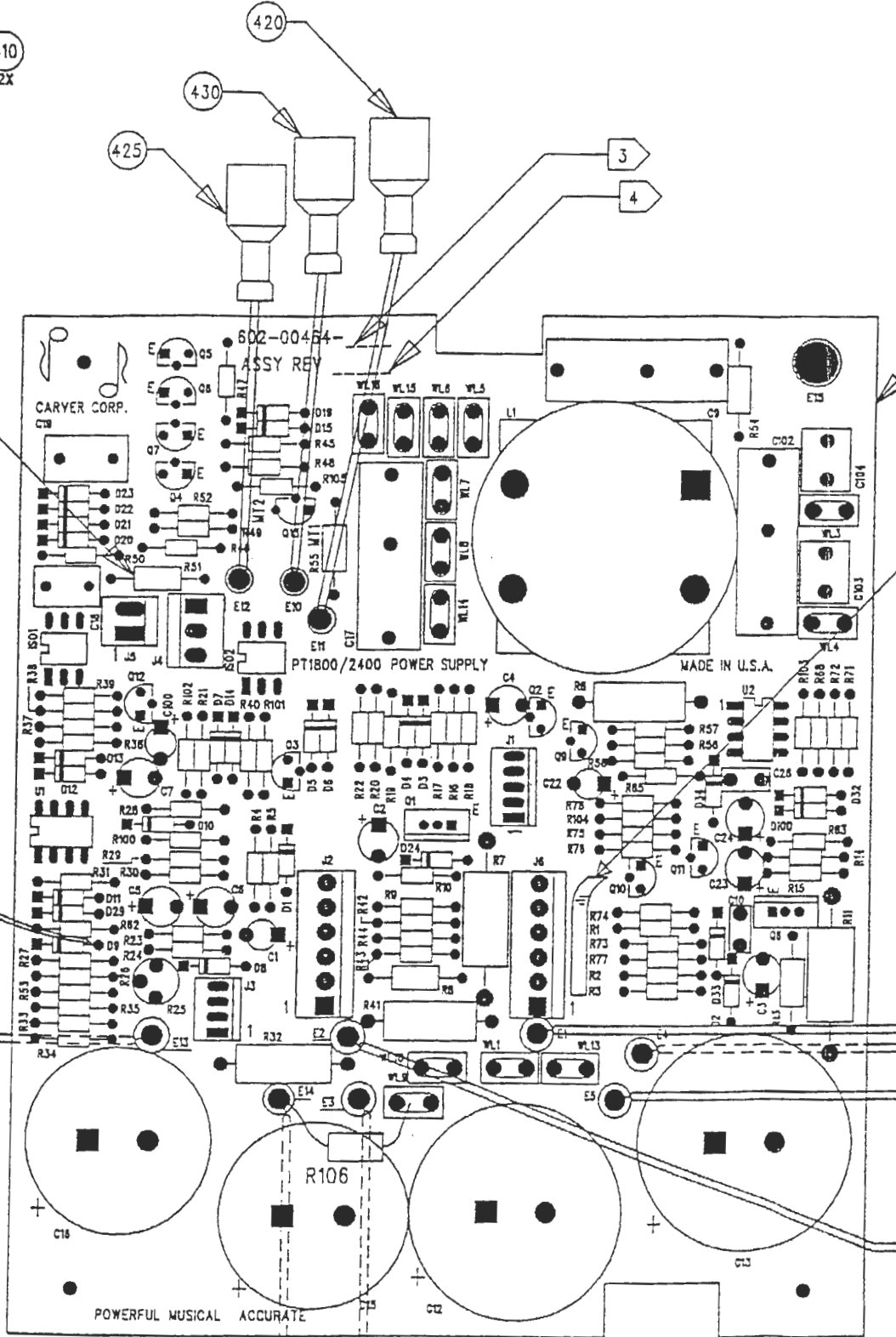
NOTES: UNLESS OTHERWISE

APPROVALS			DATE	CARVER	
DESIGN	15W		9/18/92	Title SCHEMATIC INPUT Size Document number 605-005-9-01 Date: June 24, 1993 Sheet 1 of 2	
CHECKED	B. PARROTT		10/2/92		
ENGR	V. RICHARDSON		10/5/92		
MPG					
ISSUED	S. YELTZ		12/92	REV	C
-01 602-005-9-01 APPLICATION BLOCK			ITEM-75		



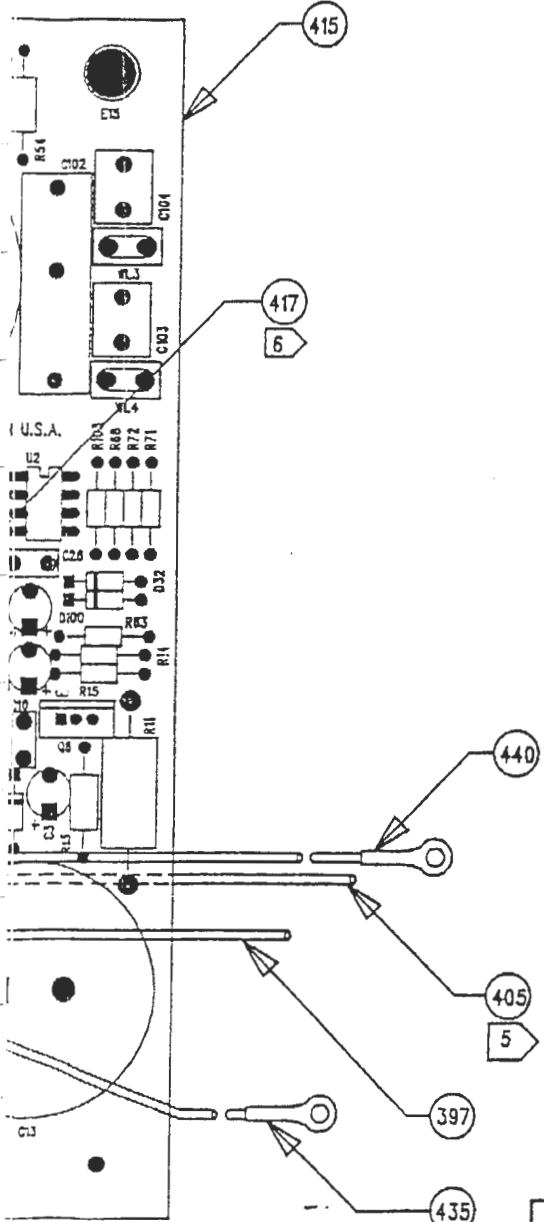
VIEW A
SCALE: NONE

SEE VIEW A



LINE	REV	DESCRIPTION	DATE	APPROVED
A		RELEASE	11/13/92	
B		INC. ECO 2274	WEH	
C		INCORPORATED ECO 3328	RP	4/8/93 <i>BP</i>
D		INCORPORATED ECO 3337 RP	5/1/93	<i>BP</i>

PRODUCTION

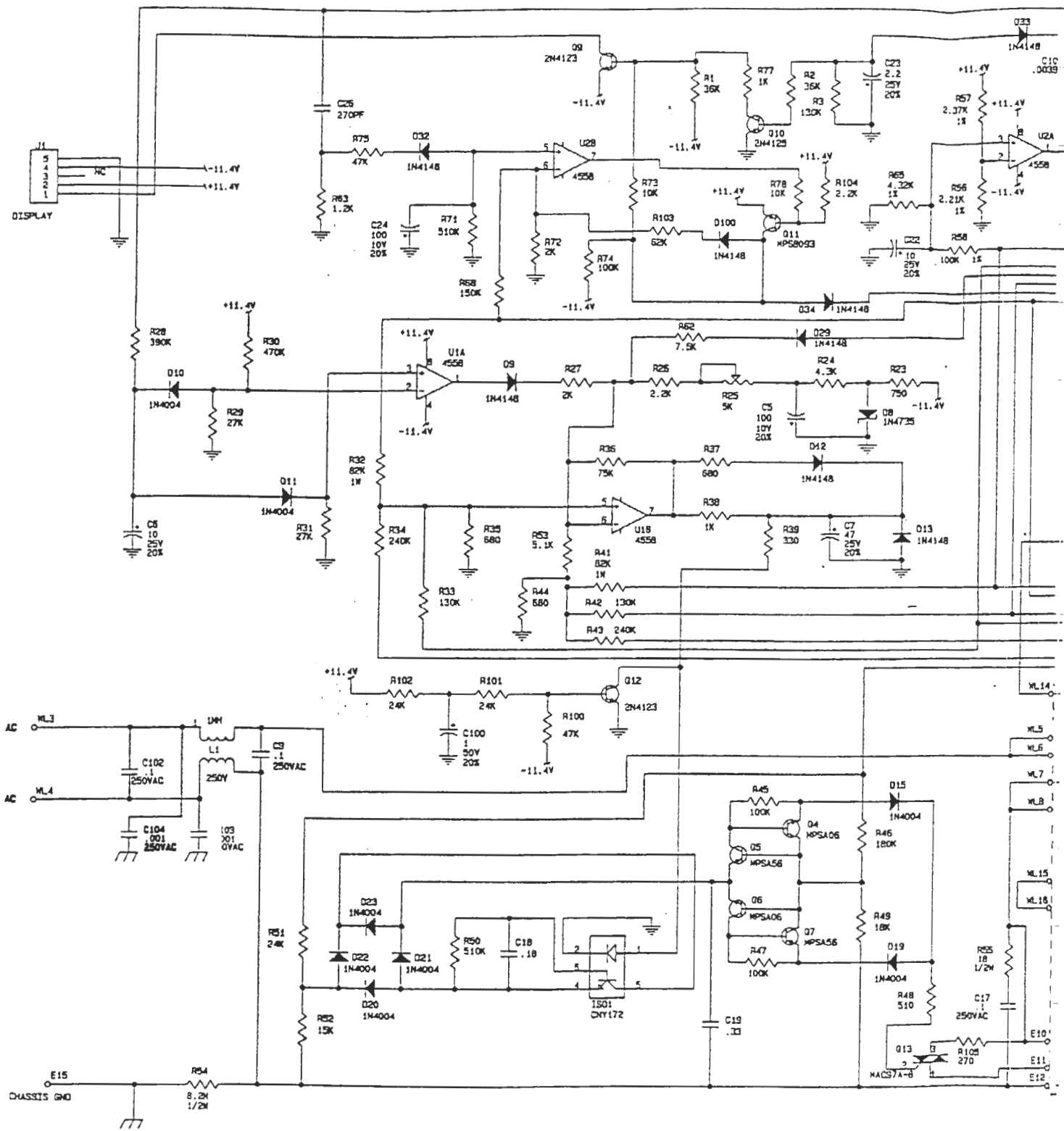


8. MAX COMPONENT HEIGHT 1.10, EXCEPT C12, 13, 15, 16.
7. COMPONENTS NOT INSTALLED THIS VERSION:
C1,C4,D1,D3-7,D14,ISO2,Q2,Q3,R4-6,R16-22,R40,R76.
- 6 AFFIX STICKER TO PCB IN LOCATION SHOWN.
DO NOT COVER BOARD MARKINGS.
- 5 INSTALL E3,E4,E13,E14 ON SOLDER SIDE OF PCB.
- 4 MARK ASSY. REV. USING CONTRASTING, NON-CONDUCTIVE INK.
- 3 MARK DASH NO. USING CONTRASTING, NON-CONDUCTIVE INK.
- 2 ALL UNUSED COMPONENT HOLES TO BE FREE OF SOLDER.
- 1 ALL ITEMS ARE ON PARTS LIST 602-00464-06.

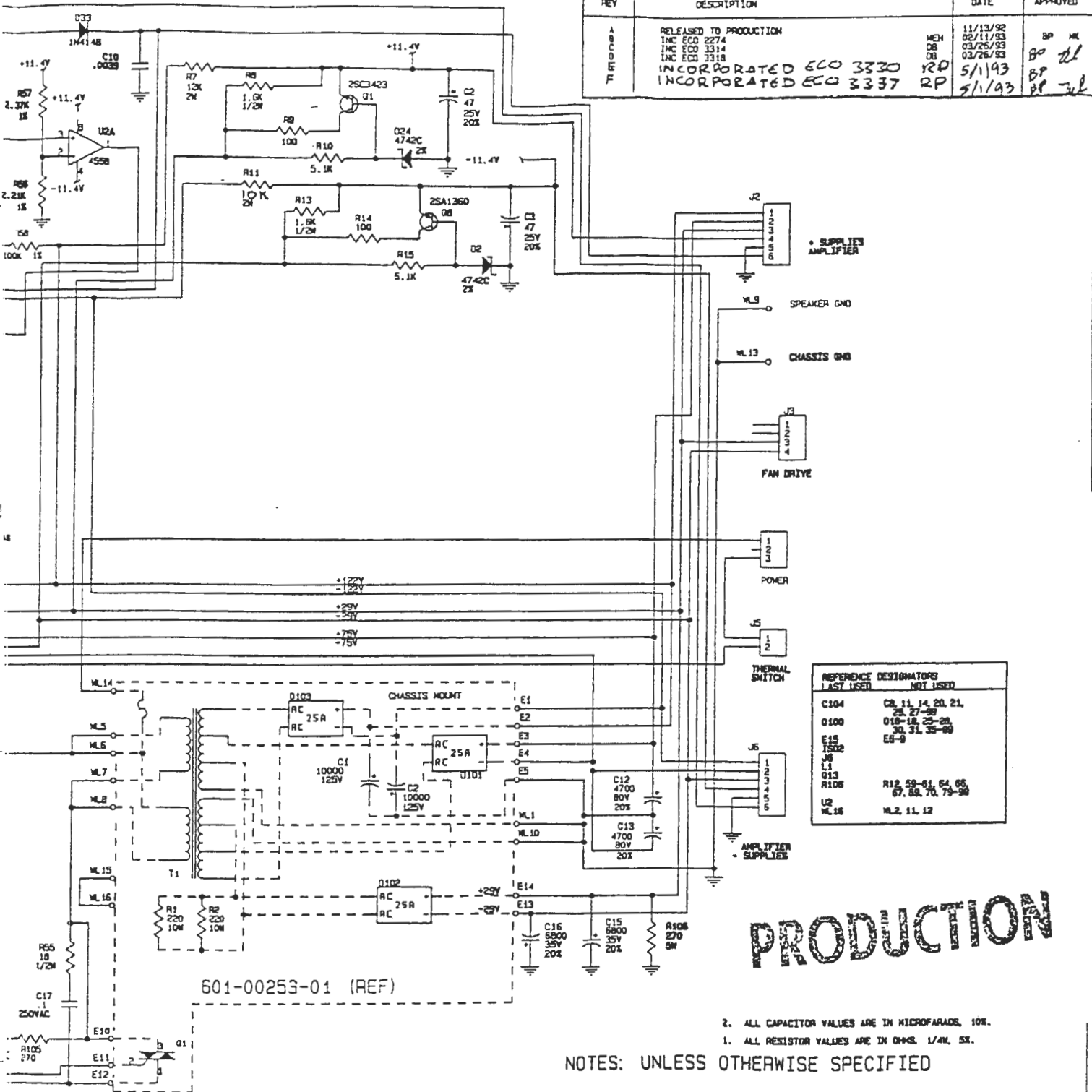
NOTES: UNLESS OTHERWISE SPECIFIED.

PROPRIETARY TO
CARVER
CONFIDENTIAL

REV STATUS OF SHEETS		SH				REV		TOLERANCES UNLESS OTHERWISE SPECIFIED		APPROVALS		DATE		TITLE		
4	REV	1	2	3	4	1	2	FRACTIONAL	DECIMALS	ANGLES	R. PASCO	03/02/92	CARVER			
								XX ±			S. MOSES	5/92				
								XXX ±			D. GRIFFITHS	5/92	CCA, POWER SUPPLY, TFM-75 230V			
											M. WALTERS	5/92				
											S. VELIZ	5/92	602-00464-06			
TFM-75; 230V								DO NOT SCALE DRAWING				SCALE NONE				



REV	DESCRIPTION	DATE	APPROVED
A	RELEASED TO PRODUCTION	11/13/92	BP MK
F	INC ECO 2274	02/11/93	BP JLL
	INC ECO 3314	03/26/93	BP
	INC ECO 3318	03/26/93	BP
	INCORPORATED ECO 3330	5/1/93	BP JLL
	INCORPORATED ECO 3337	5/1/93	BP JLL



REFERENCE DESIGNATORS LAST USED	NOT USED
C104	C8, 11, 14, 20, 21, 25, 27-29
D100	018-18, 20-23, 30, 31, 33-39
E15	E8-9
I502	
J6	
L1	
Q13	
R106	R12, 59-61, 64, 65, 67, 69, 70, 79-90
U2	
W18	W12, 11, 12

PRODUCTION

- 2. ALL CAPACITOR VALUES ARE IN MICROFARADS, 10%. 100.
- 1. ALL RESISTOR VALUES ARE IN OHMS, 1/4W, 5%.

NOTES: UNLESS OTHERWISE SPECIFIED

PROPERTY TO
UNCLASSIFIED
CONFIDENTIAL

APPROVAL	DATE
DESIGN R. PASCO	4/21/92
CHECKED S. MOSES	5/92
ENG S. YELIZ	5/92
APG O. GRIFFITHS	5/92
ISSUED H. WALTERS	5/92

DASH NO.	602-00464-06	TFM-75	230V
APPLICATION	NEXT ASSY	USED ON	

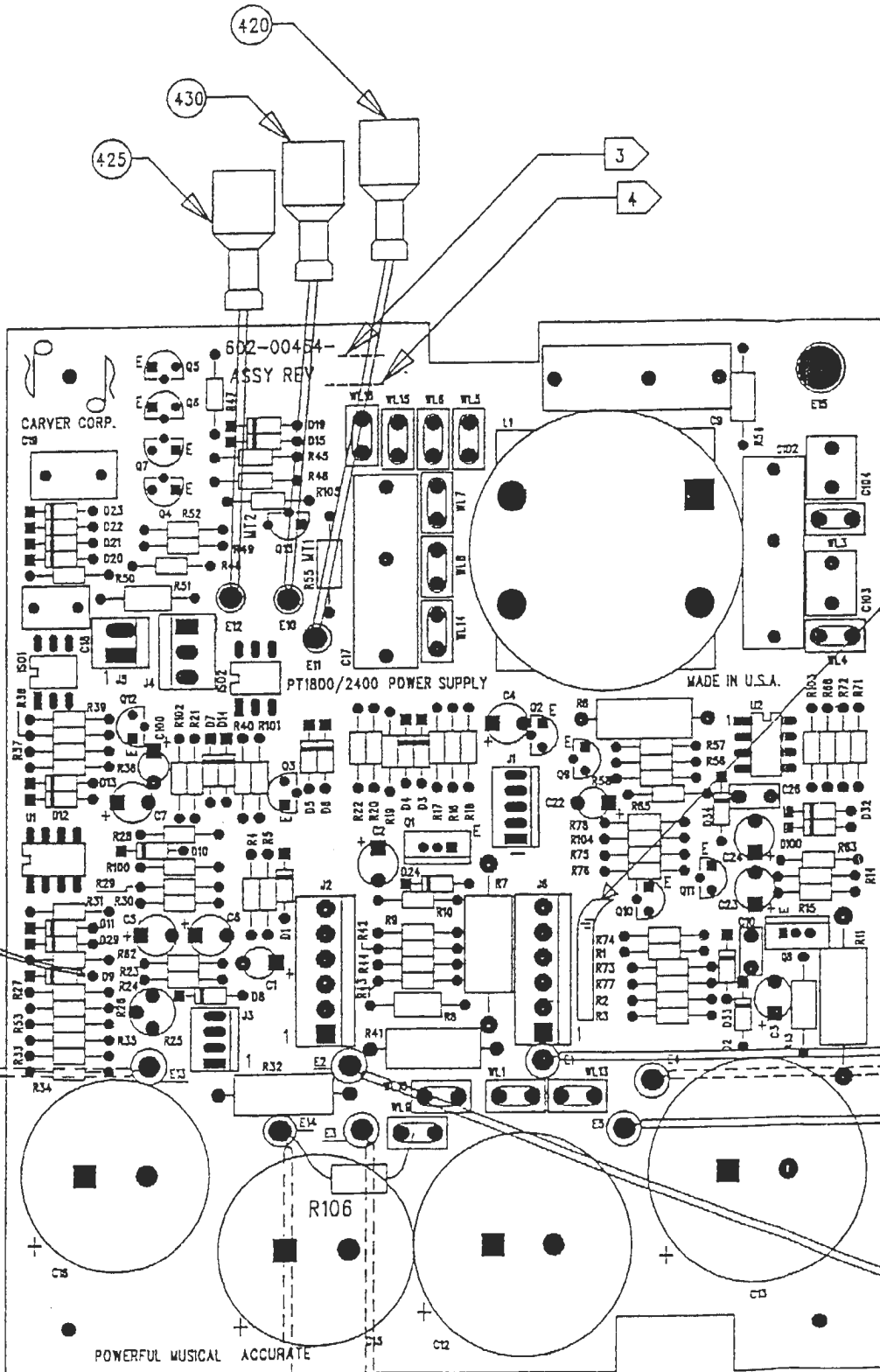
CARYER CORPORATION	
Title	SCHMATIC, PCB, POWER SUPPLY
Size	DOCUMENT NUMBER
0	605-00464-06
Date	APR 15 1993
Sheet	1 of 2

D

C

B

A



420

430

425

3

4

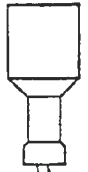
CARYER CORP.

602-00454-
ASSY REV

PT1800/2400 POWER SUPPLY

MADE IN U.S.A.

POWERFUL MUSICAL ACCURATE



445

SOLDER TO LEAD
OF DS

405

5

403

5

400

5

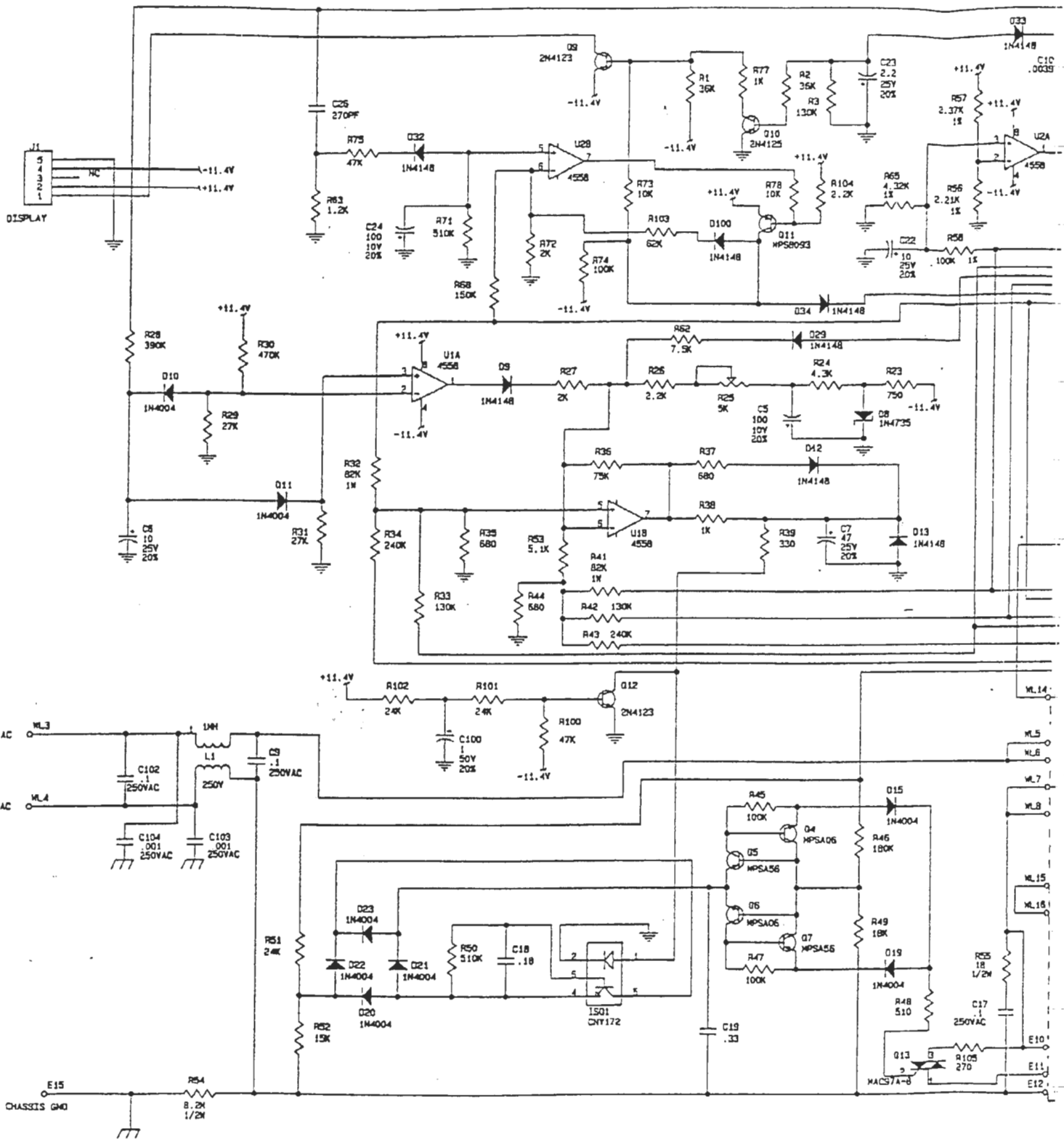
REV STA
OF SHEET

8

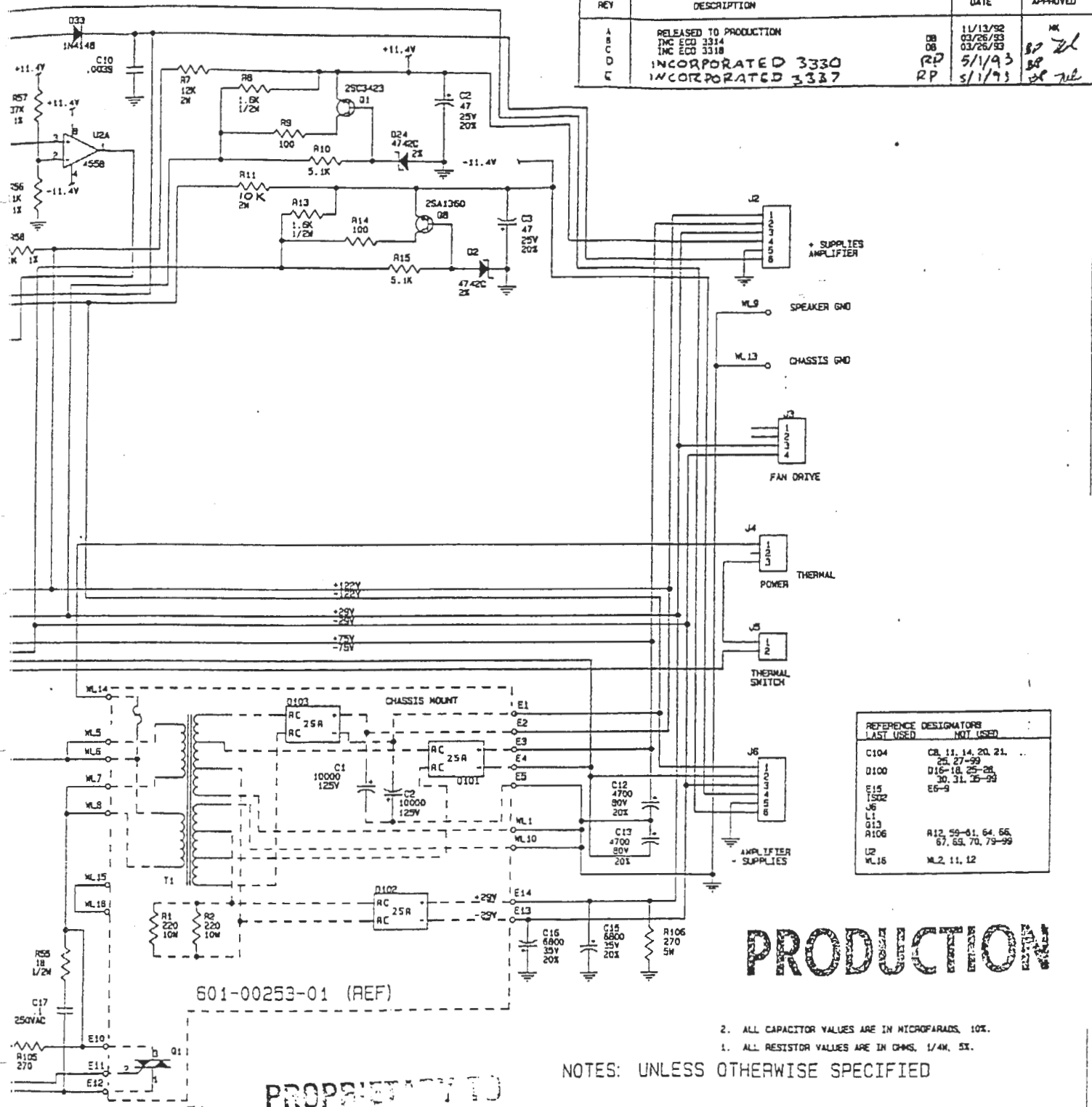
7

6

5



REV	DESCRIPTION	DATE	APPROVED
A	RELEASED TO PRODUCTION	11/13/92	MK
B	INC ECD 3314	03/25/93	BP
C	INC ECD 3318	03/25/93	BP
	INCORPORATED 3330	5/1/93	BP
	INCORPORATED 3337	5/1/93	BP



REFERENCE DESIGNATORS LAST USED	NOT USED
C104	CR. 11, 14, 20, 21, 25, 27-99
D100	D16-18, 25-28, 30, 31, 35-99
E15	E6-9
L1	
G13	
R106	R12, 59-61, 64, 66, 67, 69, 70, 79-99
U2	M.2, 11, 12
M16	

PRODUCTION

- 2. ALL CAPACITOR VALUES ARE IN MICROFARADS, 10X.
- 1. ALL RESISTOR VALUES ARE IN OHMS, 1/4W, 5X.

NOTES: UNLESS OTHERWISE SPECIFIED

PROPRIETARY TO
CARVER
CONFIDENTIAL

APPROVAL	DATE
DRAWN R. PASCO	04/27/92
CHECKED S. MOSES	5/92
ENG S. YELIZ	5/92
APP M. XALTERS	5/92
ISSUED D. GRIFFITHS	5/92

-05	602-00464-05	TFM-75
DASH NO.	NEXT ASSY	USED ON
APPLICATION		

CARVER CORPORATION	
Title	SCHEMATIC, PCL POWER SUPPLY
Size	DOCUMENT NUMBER
0	605-00464-05
Date:	APR 15 1993

8

7

6

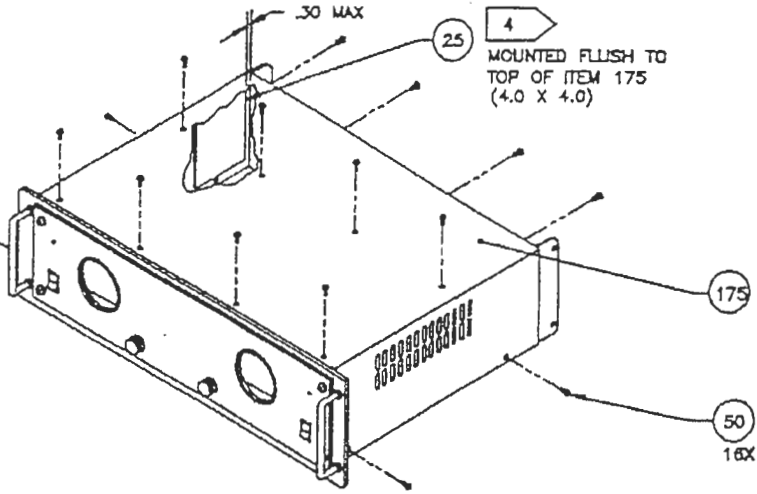
5

D

C

B

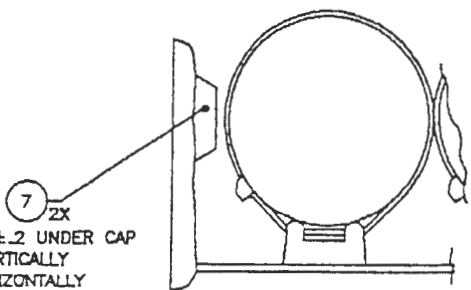
A



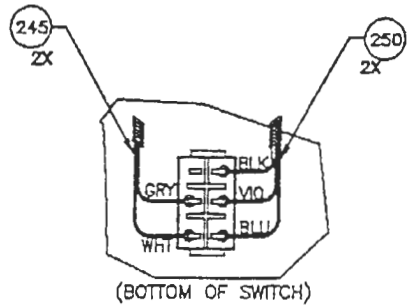
FINAL INSTALLATION

REF 147
2X
-01, -02
ONLY

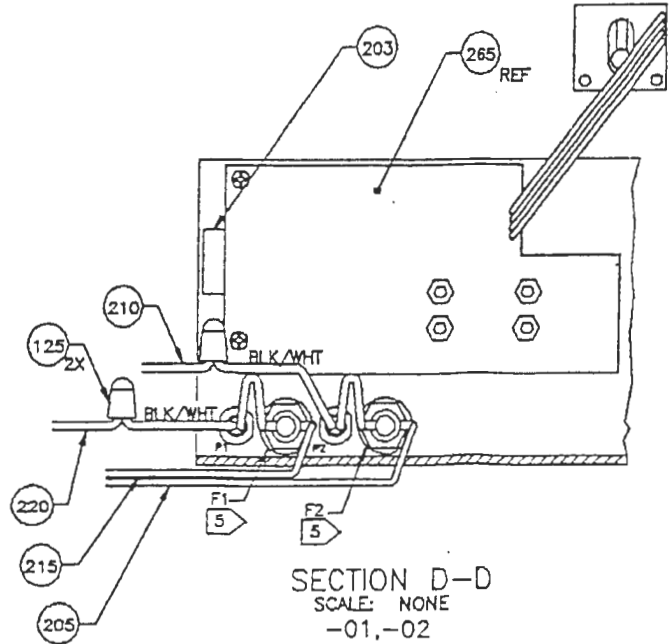
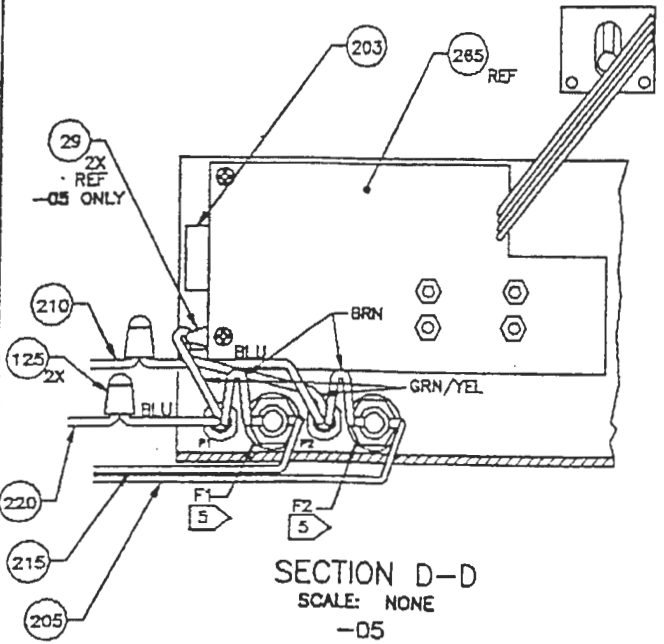
REF 147
2X
-05 ONLY



VIEW C-C
SCALE: NONE



VIEW E-E
SCALE: NONE



8

7

6

5

8

7

6

5

4

D

C

B

A

255
2X

70
14X

185
2X

50
4X

107
4X

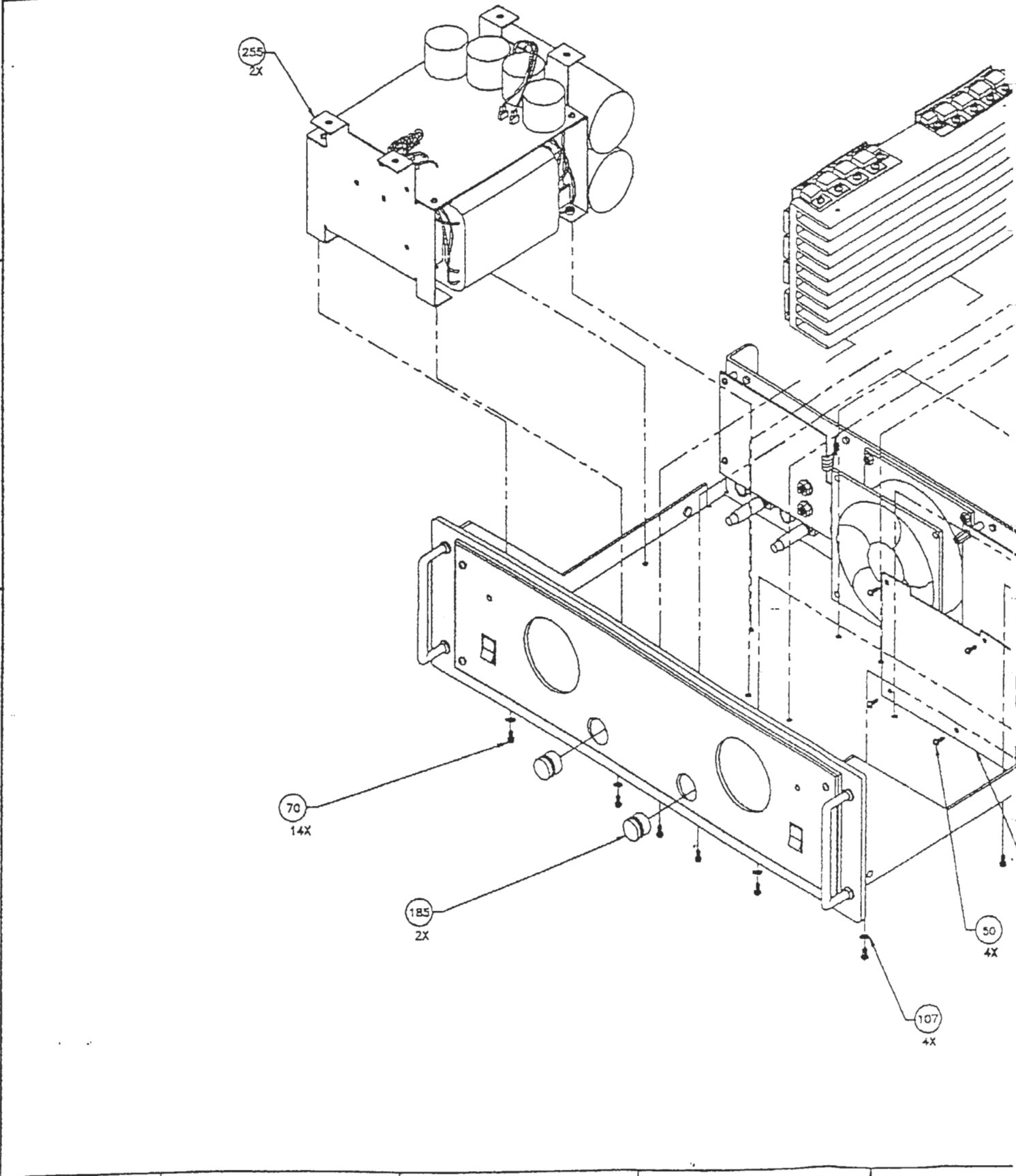
8

7

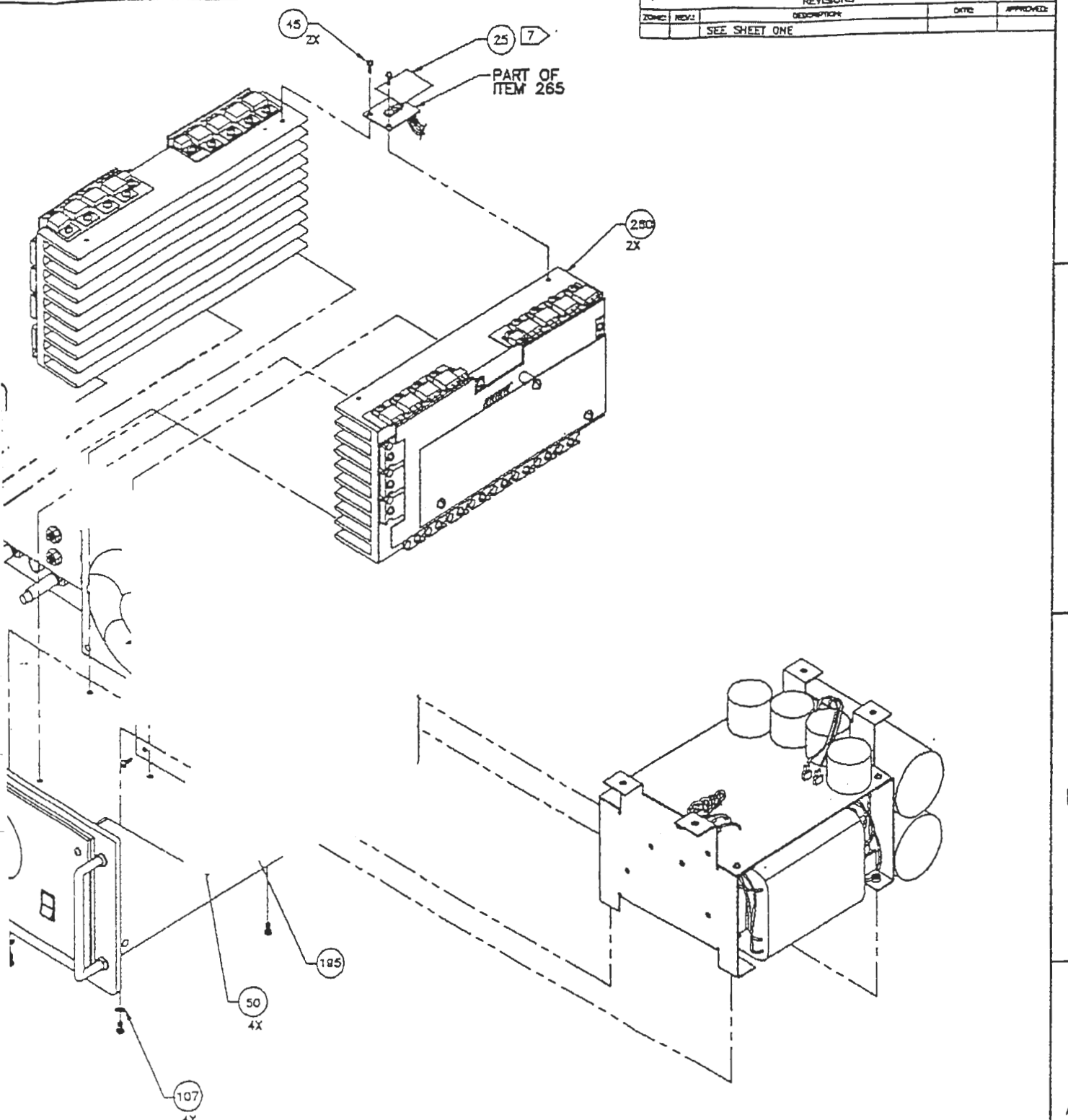
6

5

4



REVISONS		DATE	APPROVED:
ZONE:	REV.:	DESCRIPTION:	
		SEE SHEET ONE	



CARVER

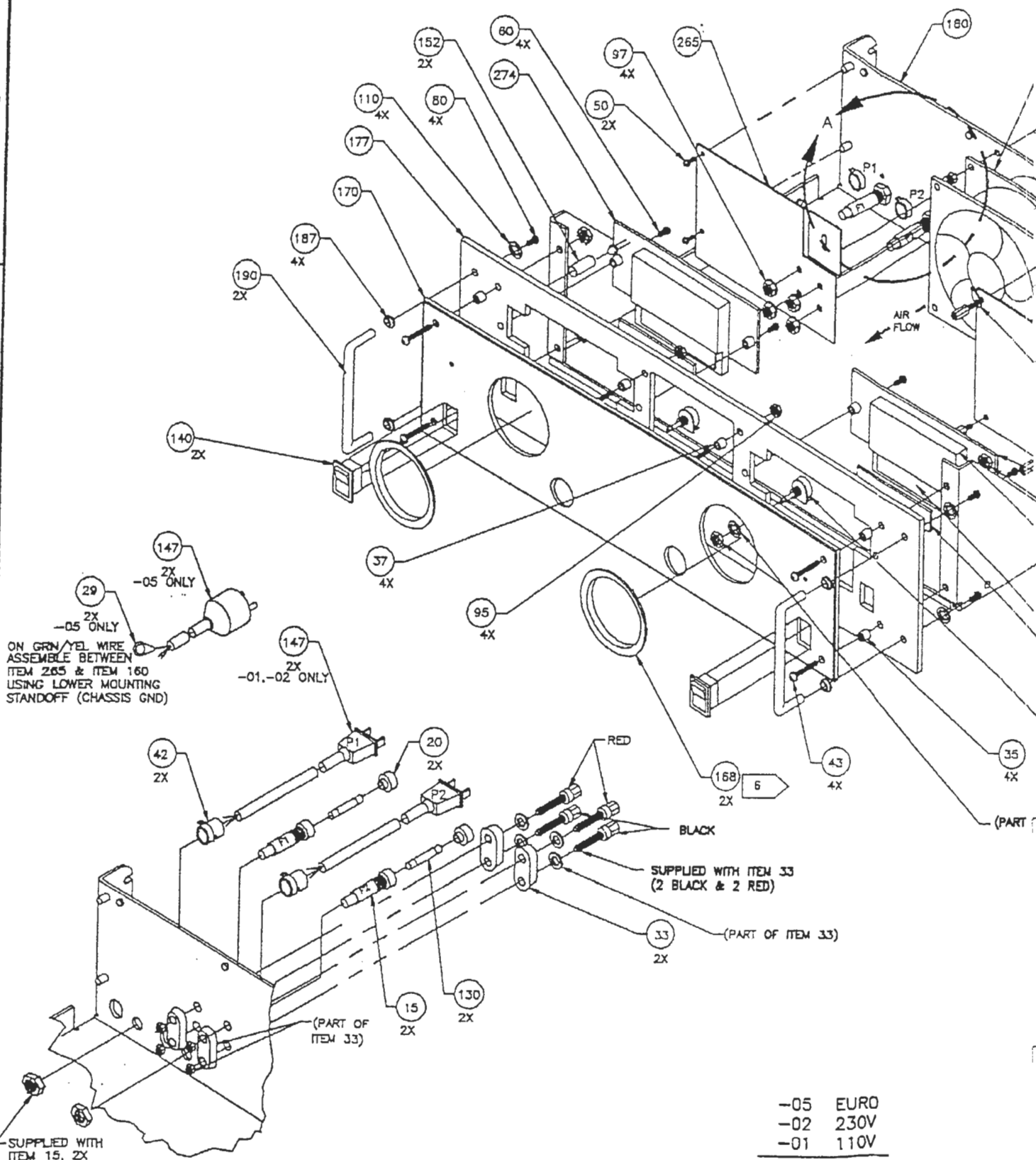
NO.:	D	ASST15-2	DRWG. NO.:	607-00621-XX	REV.:	B
SCALE:	NONE		SHEET		2	

D

C

B

A



ON GRN/YEL WIRE ASSEMBLY BETWEEN ITEM 265 & ITEM 160 USING LOWER MOUNTING STANDOFF (CHASSIS GND)

SUPPLIED WITH ITEM 33 (2 BLACK & 2 RED)

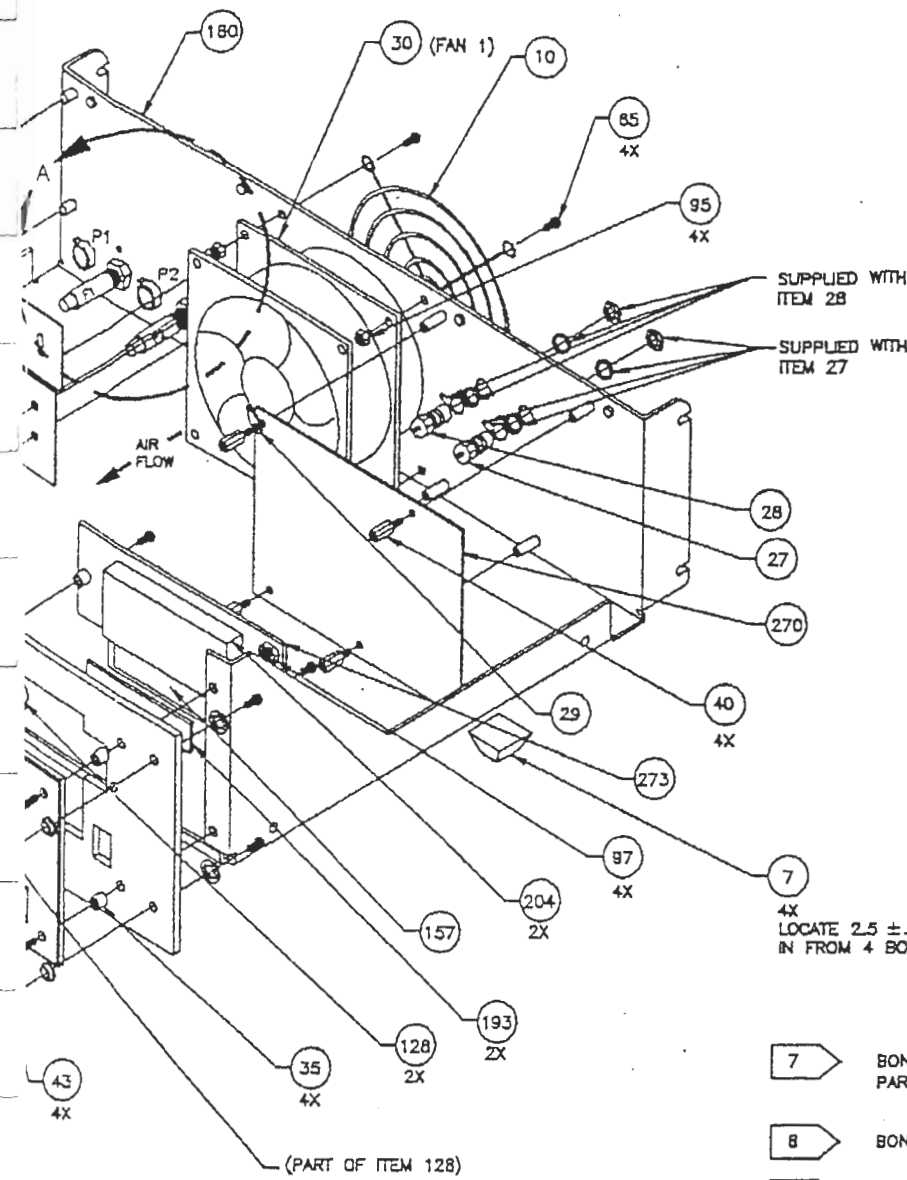
SUPPLIED WITH ITEM 15, 2X

- 05 EURO
- 02 230V
- 01 110V

VIEW A

REV	STATUS	SH	1	2	3	4
	OF SHEETS	REV	C	B	D	-

REVISIONS			DATE	APPROVED
A	PRODUCTION RELEASE		3/25/93	MK
B	INC EGO 3384 REW		6/14/93	BP MK
C	INC EGO 3418		9/8/93	BP MK



**PROPRIETARY TO
CARVER
CONFIDENTIAL
PRODUCTION**

- 7 BOND ITEM 25 (1.5" X 1.5" TO CIRCUIT SIDE OF BREAK-OFF PART OF ITEM 285 USING HOT MELT GLUE.
- 8 BOND ITEM 188 TO ITEM 170 USING ITEM 155.
- 5 COVER TABS AND TERMINATIONS USING ITEM 153.
- 4 BOND ITEM 25 TO ITEM 175 USING ITEM 155.
- 3. ASSEMBLE PER CARVER WORKMANSHIP STANDARD MP20001.
- 2. FOR WIRE DIAGRAM SEE 606-00621-XX.
- 1 ALL ITEMS ARE ON PARTS LIST 607-00621-XX.

NOTES: UNLESS OTHERWISE SPECIFIED

EURO
230V
110V

UNLESS OTHERWISE SPECIFIED DIMENSIONS ARE IN INCHES TOLERANCES ARE: FRACTIONS: DECIMALS: ANGLES: HOLE POSITION: JOG JOG:		CONTRACT NO.:		CARVER FINAL ASSEMBLY TFM 75	
MATERIAL: 1		APPROVALS:	DATE:		
FINISH:		DRAWN: LEIGH	3/23/93	REV.:	
DO NOT SCALE DRAWING		CHECKED: B. PARROTT	3/24/93		
APPLICATION		ISSUED: S. VETZ	3/93	DWG. NO.: 607-00621-XX C SHEET 1 OF 3	
GASKET: NEXT ASSEMBLY USED ON:		DRG.: V. RICHARDSON	3/24/93		
REV STATUS OF SHEETS		MFG.: B. KAMINSKI	3/24/93	SCALE: NONE	

REV	STATUS	SH	1	2	3	4
		SH	1	2	3	4
		REV	C	B	C	-

=====

SORTED BY ASSEMBLY PART NUMBER, COMPONENT PART NUMBER
AS OF 08/03/95

CLASS CODE: 90
SERVICE DEMAND ONLY
PART: 608-00621-01A
DESC: TFM-75 AMP

UOM: EA SC: R REV: A

L E V COMPONENT PART	DESCRIPTION	ITEM RV NUMBR	ST SC	QTY PER UM	ASSEMBLY	CUM		OPER SEQ	EFFECTIV DATE	INACTIVE DATE
						YIELD FACTR	RTG YIELD			
1234567890										
1.530-20101-00	LBL, 3.2x5" TTR SELF ADHESIVE	B	5	E	PK	0.00	1.00	1.00	0 00/00/00	99/99/99
1.532-10005-00	BAG, PLASTIC 20"X30"	A	10	P	EA	1.00	1.00	1.00	0 00/00/00	99/99/99
1.532-20069-01	BOX, 22-3/4 X 8-1/2 X 19-3/4	B	20	B	EA	1.00	1.00	1.00	0 00/00/00	99/99/99
1.532-30059-01	FOAM, END CAPS	A	25	B	EA	2.00	1.00	1.00	0 03/14/94	99/99/99
1.607-00621-01	FINAL ASSY, TFM-75	F	30	X	EA	1.00	1.00	1.00	0 00/00/00	99/99/99
2..101-30003-00	FOOT, RUBBER, .81 SQ X .515H	A	7	P	EA	6.00	1.00	1.00	0 03/23/93	99/99/99
2..105-20002-01	GUARD, FAN 4.125 CTR TO CTR MT	A	10	P	EA	1.00	1.00	1.00	0 00/00/00	99/99/99
2..105-40014-00	FUSEHOLDER PANEL MNT 120-230V	A	15	P	EA	2.00	1.00	1.00	0 00/00/00	99/99/99
2..105-50000-00	FUSE CARRIER 120V	A	20	P	EA	2.00	1.00	1.00	0 00/00/00	99/99/99
2..108-00102-00	INSULATOR RAG PAPER .015	A	25	E	LB	0.00	1.00	1.00	0 03/23/93	99/99/99
2..109-10025-01	JACK HD, GOLD, RED	A	27	P	EA	1.00	1.00	1.00	0 00/00/00	99/99/99
2..109-10025-02	JACK HD, GOLD, WHITE	A	28	P	EA	1.00	1.00	1.00	0 00/00/00	99/99/99
2..111-20051-00	SOLDER LUG #6	A	29	P	EA	1.00	1.00	1.00	0 00/00/00	99/99/99
2..112-10006-01	FAN, 24 VDC MEDIUM FLOW	A	30	P	EA	1.00	1.00	1.00	0 00/00/00	99/99/99
2..112-20001-00	MOUNT TYRAP WHT	A	32	P	EA	1.00	1.00	1.00	0 00/00/00	99/99/99
2..115-10001-00	POST, BINDING DUAL RED/BLACK	A	33	P	EA	2.00	1.00	1.00	0 00/00/00	99/99/99
2..118-61012-03	SPCR .14ID X .3120D AL BLK .25	A	37	P	EA	4.00	1.00	1.00	0 00/00/00	99/99/99
2..118-80022-06	STDOFF, .25 HEX 6-32 .562L M/F	A	40	P	EA	4.00	1.00	1.00	0 00/00/00	99/99/99
2..118-80029-03	STDF 10-32 X 5/160D AL BLK .25	A	35	P	EA	4.00	1.00	1.00	0 00/00/00	99/99/99
2..118-90004-00	STRAIN RELIEF, 2-COND, 18 AWG	A	42	P	EA	2.00	1.00	1.00	0 00/00/00	99/99/99
2..151-04003-05	SCRW BTN HD CAP 10-32 X 1" BLK	A	43	P	EA	4.00	1.00	1.00	0 00/00/00	99/99/99
2..151-20001-00	SCRW, MACH PP 4-40X1/4 BLK WAX	A	45	P	EA	4.00	1.00	1.00	0 00/00/00	99/99/99
2..151-20051-00	SCRW, MACH PP 6-32X1/4 BLK WAX	A	50	P	EA	22.00	1.00	1.00	0 00/00/00	99/99/99
2..151-20053-00	SCREW,MACH PP BLK 6-32 X 1/2	A	60	P	EA	4.00	1.00	1.00	0 03/23/93	99/99/99
2..151-20055-00	SCREW,MACH PP BLK 6-32X5/8	A	65	P	EA	4.00	1.00	1.00	0 03/23/93	99/99/99
2..151-20056-00	SCRW, MACH PP 6-32X5/16 BLK WX	A	70	P	EA	14.00	1.00	1.00	0 00/00/00	99/99/99
2..151-20154-00	SCRW MACH PP 10-32X9/16 BLK WX	A	80	P	EA	4.00	1.00	1.00	0 00/00/00	99/99/99
2..152-10002-00	NUT, LOCK 6-32 X 5/16, ZINC	A	95	P	EA	8.00	1.00	1.00	0 00/00/00	99/99/99
2..152-10004-00	NUT, LOCK, 10-32, ZINC	A	97	P	EA	8.00	1.00	1.00	0 00/00/00	99/99/99
2..154-20052-00	WASHER INT LOCK #6 BLK WAXED	A	107	P	EA	4.00	1.00	1.00	0 00/00/00	99/99/99
2..154-30001-00	WASHER, SPLIT LOCK BLK. #10	A	110	P	EA	4.00	1.00	1.00	0 08/16/93	99/99/99
2..159-50002-00	TYRAP 4"L WHT	A	120	P	EA	7.00	1.00	1.00	0 05/17/93	99/99/99
2..160-20013-00	CONNECTOR .100 CTR 2-PIN	A	123	P	EA	1.00	1.00	1.00	0 00/00/00	99/99/99
2..160-20014-00	CONNECTOR, SPLICE NYLON INSUL	A	125	P	EA	2.00	1.00	1.00	0 00/00/00	99/99/99
2..259-10053-01	POT, 5 KB PNL MNT 41 DENENT	A	128	P	EA	2.00	1.00	1.00	0 00/00/00	99/99/99
2..315-13002-00	FUSE, 12 AMP 250V	A	130	P	EA	2.00	1.00	1.00	0 00/00/00	99/99/99
2..318-20000-00	SWITCH, ROCKER DPDT BLK	B	140	P	EA	2.00	1.00	1.00	0 00/00/00	99/99/99
2..401-10102-00	WIRE 18 AWG TEW BLK 3"	A	143	P	EA	1.00	1.00	1.00	0 00/00/00	99/99/99
2..401-10103-00	WIRE 18 AWG TEW BLK 4.5"	A	145	P	EA	1.00	1.00	1.00	0 00/00/00	99/99/99
2..401-90012-00	LINECORD 16/2 POLARIZED CSA/UL	C	147	P	EA	2.00	1.00	1.00	0 00/00/00	99/99/99
2..402-00017-00	SLEEVING SPIRAL	A	150	P	FT	1.66	1.00	1.00	0 00/00/00	99/99/99
2..402-00022-01	SLEEVING, HEAT RESISTANT BLK	A	152	P	FT	0.15	1.00	1.00	0 00/00/00	99/99/99
2..402-10007-00	TUBING HTSHRK DUAL WALL 1/2"	A	153	P	FT	0.35	1.00	1.00	0 00/00/00	99/99/99
2..403-10003-00	SEALANT SILICONE RUBBER RTV	A	155	E	EA	0.00	1.00	1.00	0 00/00/00	99/99/99
2..403-40012-00	TAPE FOAM DOUBLE BACK 1/16X1"	A	157	P	EA	0.00	1.00	1.00	0 03/23/93	99/99/99
2..502-20090-01	CHASSIS, TFM-75	B	160	B	EA	1.00	1.00	1.00	0 00/00/00	99/99/99
2..503-20098-01	PANEL, FRONT TFM-75	A	170	B	EA	1.00	1.00	1.00	0 00/00/00	99/99/99
2..503-40062-02	BEZEL, METER PANEL ANO	A	168	B	EA	2.00	1.00	1.00	0 00/00/00	99/99/99
2..504-20050-00	COVER, TOP PT-2400	A	175	B	EA	1.00	1.00	1.00	0 00/00/00	99/99/99
2..505-20037-00	PANEL, SUB	A	177	B	EA	1.00	1.00	1.00	0 00/00/00	99/99/99
2..507-00050-00	BRACKET THERMAL SW UNIVERSAL	C	180	B	EA	2.00	1.00	1.00	0 00/00/00	99/99/99
2..508-00035-07	KNOB 22MM KNURL BLK 180 DG	A	185	B	EA	2.00	1.00	1.00	0 00/00/00	99/99/99
2..509-20005-02	FERRULE 5/16" PLASTIC CHARCOAL	C	187	P	EA	4.00	1.00	1.00	0 00/00/00	99/99/99
2..510-20007-02	HANDLE, 3.5" X 5/16" CHARCOAL	B	190	B	EA	2.00	1.00	1.00	0 00/00/00	99/99/99
2..512-10717-01	METER PLATE	D	193	B	EA	2.00	1.00	1.00	0 00/00/00	99/99/99
3...512-10717-00	METER PLT, FAB SST	A	1	P	EA	1.00	1.00	1.00	0 00/00/00	99/99/99
2..512-20723-00	SHIELD, INPUT	A	195	B	EA	1.00	1.00	1.00	0 00/00/00	99/99/99
2..530-20100-00	STICKER, SERIAL # BLANKS	A	203	E	RL	0.00	1.00	1.00	0 06/28/94	99/99/99
2..531-00015-01	METER POWER SCALE 750W	A	204	M	EA	2.00	1.00	1.00	0 00/00/00	99/99/99
3...112-30001-00	METER, POWER 0-.3 MA	B	5	P	EA	1.00	1.00	1.00	0 00/00/00	99/99/99
3...530-10201-01	LABEL, METER SCALE	A	10	P	EA	1.00	1.00	1.00	0 00/00/00	99/99/99
2..550-00002-10	CBL, .250 FAST #18 TEW 14" BRN K	A	205	B	EA	1.00	1.00	1.00	0 00/00/00	99/99/99
2..550-00002-11	CBL, .250 FAST #18 TEW 12" BLU K	A	210	B	EA	1.00	1.00	1.00	0 00/00/00	99/99/99
2..550-00002-12	CBL, .250 FAST #18 TEW 29" BRN K	A	215	B	EA	1.00	1.00	1.00	0 00/00/00	99/99/99
2..550-00002-13	CBL, .250 FAST #18 TEW 27" BLU K	A	220	B	EA	1.00	1.00	1.00	0 00/00/00	99/99/99

=====

SORTED BY ASSEMBLY PART NUMBER, COMPONENT PART NUMBER
 AS OF 08/03/95

CLASS CODE: 90
 SERVICE DEMAND ONLY
 PART: 608-00621-01A
 DESC: TFM-75 AMP

UOM: EA SC: R REV: A

L E V COMPONENT PART	DESCRIPTION	ITEM RV NUMBR	ST QTY PER SC UM ASSEMBLY	CUM			EFFECTIV DATE	INACTIVE DATE
				YIELD FACTR	RTG YIELD	OPER SEQ		
-- 1234567890--								
2..550-10024-00	HARN CON, THERMO 12.0"	230		1.00	1.00	1.00	00/00/00	99/99/99
2..550-10024-02	HARN CONN, THERMO 7"	235		1.00	1.00	1.00	00/00/00	99/99/99
2..550-10050-00	HARN CON, 3PIN #22 W/SHLD 18"	240		2.00	1.00	1.00	00/00/00	99/99/99
2..550-10072-01	HARN CONN 3 PIN 2-WIRE #22 10"	245		2.00	1.00	1.00	00/00/00	99/99/99
2..550-10074-03	HARN CONN 3 PIN #22 8"	250		2.00	1.00	1.00	00/00/00	99/99/99
2..601-00255-03	AMPLIFIER ASSY, TFM-75	260		2.00	1.00	1.00	00/00/00	99/99/99
3...118-80022-02	STDOFF, .25 HEX 6-32 .312L M/F	5		3.00	1.00	1.00	00/00/00	99/99/99
3...118-80022-05	STDOFF, .25 HEX 6-32 .50L M/F	7		3.00	1.00	1.00	08/29/91	99/99/99
3...151-20002-00	SCRW, MACH PP 4-40X3/8 BLK WAX	20		11.00	1.00	1.00	08/29/91	99/99/99
3...151-20003-00	SCRW, MACH PP 4-40X1/2 BLK WAX	23		14.00	1.00	1.00	02/28/92	99/99/99
3...151-20051-00	SCRW, MACH PP 6-32X1/4 BLK WAX	24		3.00	1.00	1.00	08/29/91	99/99/99
3...154-00007-00	WSHR, BELLEVILLE/CONICAL #4 ZC	25		14.00	1.00	1.00	02/28/92	99/99/99
3...154-40008-01	WASHER, SHOULDER NYLON, #4	30		10.00	1.00	1.00	00/00/00	99/99/99
3...159-50002-00	TYRAP 4" L WHT	120		3.00	1.00	1.00	05/17/93	99/99/99
3...511-20017-00	HEATSINK, ANO PT-2400	35		1.00	1.00	1.00	00/00/00	99/99/99
3...512-10637-01	INSUL SIL-PAD K-6 3-POS	40		2.00	1.00	1.00	00/00/00	99/99/99
3...512-10638-01	INSUL SIL-PAD K-6 5-POS	45		2.00	1.00	1.00	00/00/00	99/99/99
3...512-10639-01	INSUL SIL-PAD K-6 10-POS	50		1.00	1.00	1.00	00/00/00	99/99/99
3...512-20717-00	SHIELD, AMP PT2400/1800	53		1.00	1.00	1.00	08/29/91	99/99/99
3...602-00408-02	CCA AMPLIFIER	55		1.00	1.00	1.00	00/00/00	99/99/99
4....119-20013-00	TERMINAL, TEST POINT	5		3.00	1.00	1.00	00/00/00	99/99/99
4....201-00018-00	CAP CER DISC 220 PF 1000V 10%	10		1.00	1.00	1.00	00/00/00	99/99/99
4....201-00019-00	CAP CER DISC 250 PF 1000V 10%	15		1.00	1.00	1.00	00/00/00	99/99/99
4....201-00024-00	CAP CER DISC 500 PF 1000V 10%	20		2.00	1.00	1.00	00/00/00	99/99/99
4....201-00034-00	CAP CER DISC .01 UF 500V 20%	25		4.00	1.00	1.00	00/00/00	99/99/99
4....204-00003-00	CAP PLYFLM .001 UF 100V 10% RD	30		2.00	1.00	1.00	00/00/00	99/99/99
4....204-00005-00	CAP PLYFLM .0015UF 100V 10% RD	35		1.00	1.00	1.00	00/00/00	99/99/99
4....204-00022-00	CAP PLYFLM .033 UF 100V 10% RD	42		2.00	1.00	1.00	05/15/92	99/99/99
4....204-00027-00	CAP PLYFLM .1 UF 100V 10% RAD	45		2.00	1.00	1.00	00/00/00	99/99/99
4....205-00005-02	CAP LYTIC 4.7UF 63V 20% RAD .2	50		1.00	1.00	1.00	09/04/91	99/99/99
4....257-60228-08A	RES, M PL CEM 10% .22 OHM 2W	170		12.00	1.00	1.00	00/00/00	99/99/99
4....259-30006-00	POT, RIGHT ANGLE MINI 5K	175		1.00	1.00	1.00	12/05/91	99/99/99
4....260-50102-04D	RES, CF 5% 1K 1/4W .5	140		1.00	1.00	1.00	05/17/93	99/99/99
4....260-50103-04D	RES, CF 5% 10K 1/4W .5	115		2.00	1.00	1.00	05/15/92	99/99/99
4....260-50104-04D	RES, CF 5% 100K 1/4W .5	150		2.00	1.00	1.00	05/17/93	99/99/99
4....260-50104-04D	RES, CF 5% 100K 1/4W .5	171		2.00	1.00	1.00	05/17/93	99/99/99
4....260-50124-04D	RES, CF 5% 120K 1/4W .5	155		2.00	1.00	1.00	05/17/93	99/99/99
4....260-50132-04D	RES, CF 5% 1.3K 1/4W .5	90		2.00	1.00	1.00	00/00/00	99/99/99
4....260-50154-04D	RES, CF 5% 150K 1/4W .5	160		1.00	1.00	1.00	05/17/93	99/99/99
4....260-50163-04D	RES, CF 5% 16K 1/4W .5	120		1.00	1.00	1.00	04/02/93	99/99/99
4....260-50202-04D	RES, CF 5% 2K 1/4W .5	95		3.00	1.00	1.00	05/17/93	99/99/99
4....260-50203-04D	RES, CF 5% 20K 1/4W .5	125		1.00	1.00	1.00	00/00/00	99/99/99
4....260-50222-04D	RES, CF 5% 2.2K 1/4W .5	100		2.00	1.00	1.00	00/00/00	99/99/99
4....260-50223-04D	RES, CF 5% 22K 1/4W .5	130		1.00	1.00	1.00	00/00/00	99/99/99
4....260-50243-04D	RES, CF 5% 24K 1/4W .5	135		5.00	1.00	1.00	00/00/00	99/99/99
4....260-50302-04D	RES, CF 5% 3K 1/4W .5	75		8.00	1.00	1.00	05/17/93	99/99/99
4....260-50430-04D	RES, CF 5% 43 OHM 1/4W .5	60		1.00	1.00	1.00	00/00/00	99/99/99
4....260-50432-04D	RES, CF 5% 4.3K 1/4W .5	142		2.00	1.00	1.00	00/00/00	99/99/99
4....260-50471-04D	RES, CF 5% 470 OHM 1/4W .5	70		4.00	1.00	1.00	05/17/93	99/99/99
4....260-50473-04D	RES, CF 5% 47K 1/4W .5	145		4.00	1.00	1.00	05/21/92	99/99/99
4....260-50477-04D	RES, CF 5% 4.7 OHM 1/4W .5	55		2.00	1.00	1.00	00/00/00	99/99/99
4....260-50511-04D	RES, CF 5% 510 OHM 1/4W .5	167		2.00	1.00	1.00	05/17/93	99/99/99
4....260-50512-04D	RES, CF 5% 5.1K 1/4W .5	117		2.00	1.00	1.00	05/15/92	99/99/99
4....260-50620-04D	RES, CF 5% 62 OHM 1/4W .5	65		1.00	1.00	1.00	00/00/00	99/99/99
4....260-50682-04D	RES, CF 5% 6.8K 1/4W .5	110		2.00	1.00	1.00	00/00/00	99/99/99
4....260-50751-04D	RES, CF 5% 750 OHM 1/4W .5	80		2.00	1.00	1.00	05/17/93	99/99/99
4....260-50821-04D	RES, CF 5% 820 OHM 1/4W .5	85		2.00	1.00	1.00	05/17/93	99/99/99
4....260-50822-05E	RES, CF 5% 8.2K 1/2W .6	165		2.00	1.00	1.00	00/00/00	99/99/99
4....319-00033-00	RECT HW COM CATHODE 16A 200V	180		1.00	1.00	1.00	00/00/00	99/99/99
4....319-00034-00	RECT HW COMMON ANODE 16A 200V	185		1.00	1.00	1.00	00/00/00	99/99/99
4....320-20001-00	DIODE, 1N4148 75V .4	190		4.00	1.00	1.00	00/00/00	99/99/99
4....320-20004-00	DIODE 1N4004 400V PREP .4	195		6.00	1.00	1.00	00/00/00	99/99/99
4....320-20006-00	DIODE 175 WIV HIGH SPEED .4	200		1.00	1.00	1.00	00/00/00	99/99/99
4....321-30013-00	XSTR TO3P(L) NPN PWR 2SC3281-0	205		7.00	1.00	1.00	00/00/00	99/99/99
4....321-30014-00	XSTR TO3P(L) PNP PWR 2SA1302-0	210		7.00	1.00	1.00	00/00/00	99/99/99

=====
 SORTED BY ASSEMBLY PART NUMBER, COMPONENT PART NUMBER
 AS OF 08/03/95

CLASS CODE: 90
 SERVICE DEMAND ONLY
 PART: 608-00621-01A
 DESC: TFM-75 AMP

UOM: EA SC: R REV: A

L E V	COMPONENT PART	DESCRIPTION	ITEM RV	ST NUMBR	QTY SC	PER UM	ASSEMBLY	CUM		OPER SEQ	EFFECTIV DATE	INACTIVE DATE
								YIELD FACTR	RTG YIELD			
	1234567890											
4	321-40001-00	XISTOR T092 NPN SM SG MPSA43	A	215	P	EA	3.00	1.00	1.00	0	00/00/00	99/99/99
4	321-40004-00	XISTOR T092 PNP SM SG MPSA93	A	220	P	EA	3.00	1.00	1.00	0	00/00/00	99/99/99
4	321-40009-00	XISTOR T092 PNP SM SG 2N4125	A	225	P	EA	1.00	1.00	1.00	0	00/00/00	99/99/99
4	321-40013-01	XISTOR T092 NPN SM SG MPSA18	B	227	P	EA	1.00	1.00	1.00	0	00/00/00	99/99/99
4	321-60001-00	XISTOR T0220 NPN PWR MJE15030	A	228	P	EA	1.00	1.00	1.00	0	05/15/92	99/99/99
4	321-60003-00	XISTOR T0220 PNP PWR MJE15031	A	231	P	EA	1.00	1.00	1.00	0	05/15/92	99/99/99
4	321-60004-00	XISTOR T0220 NPN 2N6488	A	230	P	EA	1.00	1.00	1.00	0	05/15/92	99/99/99
4	321-60006-00	XISTOR T0220 PNP 2N6490	A	235	P	EA	1.00	1.00	1.00	0	05/15/92	99/99/99
4	321-80006-01	XISTOR CASE 340D-01 NPN TIP35C	B	240	P	EA	4.00	1.00	1.00	0	00/00/00	99/99/99
4	321-80007-01	XISTOR CASE 340D-01 PNP TIP36C	C	245	P	EA	4.00	1.00	1.00	0	00/00/00	99/99/99
4	321-90001-00	XISTOR B100 NPN PWR 2SC3423-Y	A	250	P	EA	1.00	1.00	1.00	0	00/00/00	99/99/99
4	330-30009-00	IC QUAD COMPARATOR LMT339N	A	255	P	EA	1.00	1.00	1.00	0	00/00/00	99/99/99
4	401-30002-00	JUMPER INSUL .3"x.25x.25 #22	A	260	P	EA	12.00	1.00	1.00	0	00/00/00	99/99/99
4	403-10006-00	GLUE, HOT MELT	A	265	E	LB	0.00	1.00	1.00	0	00/00/00	99/99/99
4	501-00408-00	PCB, AMP PT-2400/PT-1800	B	270	B	EA	1.00	1.00	1.00	0	00/00/00	99/99/99
4	530-20102-01	STICKER, MARKER (VINYL)	A	273	P	EA	1.00	1.00	1.00	0	00/00/00	99/99/99
4	550-00021-02	CBL, .250 #16 TEW 20" RED	H	275	B	EA	1.00	1.00	1.00	0	00/00/00	99/99/99
4	550-10049-00	HARN CONN, 6-WIRE #18 11"	A	285	B	EA	2.00	1.00	1.00	0	00/00/00	99/99/99
4	550-10071-01	HARN CONN 10 PIN #22 19"	C	280	B	EA	1.00	1.00	1.00	0	00/00/00	99/99/99
2	601-00261-01	ASSY, PREP POWER SUPPLY	C	255	X	EA	2.00	1.00	1.00	0	00/00/00	99/99/99
3	106-30004-00	GROMMET .5620D X .251D .375MNT	A	5	P	EA	4.00	1.00	1.00	0	00/00/00	99/99/99
3	111-20151-00	SOLDER LUG #10	A	10	P	EA	2.00	1.00	1.00	0	00/00/00	99/99/99
3	112-20003-00	SADDLE, TYRAP, SCRW MNT #10	A	15	P	EA	4.00	1.00	1.00	0	00/00/00	99/99/99
3	118-80005-00	STANDOFF ROUND #8X1/4X5/16 ALU	A	20	P	EA	4.00	1.00	1.00	0	00/00/00	99/99/99
3	151-20001-00	SCRW, MACH PP 4-40X1/4 BLK WAX	A	30	P	EA	4.00	1.00	1.00	0	00/00/00	99/99/99
3	151-20055-00	SCREW, MACH PP BLK 6-32X5/8	A	45	P	EA	3.00	1.00	1.00	0	01/15/93	99/99/99
3	151-20056-00	SCRW, MACH PP 6-32X5/16 BLK WX	A	50	P	EA	5.00	1.00	1.00	0	00/00/00	99/99/99
3	151-20071-02	SCRW, BLK FH 100DEG 6-32X5/16	D	40	P	EA	2.00	1.00	1.00	0	00/00/00	99/99/99
3	151-20151-01	SCREW MACH PP ZC 10-32X1/4	A	55	P	EA	4.00	1.00	1.00	0	00/00/00	99/99/99
3	152-10002-00	NUT, LOCK 6-32 X 5/16, ZINC	A	60	P	EA	10.00	1.00	1.00	0	00/00/00	99/99/99
3	152-10003-00	NUT, LOCK 8-32 X 11/32, ZINC	A	65	P	EA	4.00	1.00	1.00	0	00/00/00	99/99/99
3	154-10101-00	WASHER, FLAT #8 BLACK	A	70	P	EA	8.00	1.00	1.00	0	00/00/00	99/99/99
3	154-20002-01	WASHER, INT LOCK BLK #4	A	67	P	EA	1.00	1.00	1.00	0	00/00/00	99/99/99
3	159-50002-00	TYRAP 4" L WHT	A	73	P	EA	4.00	1.00	1.00	0	05/17/93	99/99/99
3	159-50007-01	TYRAP 8.4" WHITE HVY .3W	A	75	P	EA	4.00	1.00	1.00	0	00/00/00	99/99/99
3	205-00149-01	CAP LYTIC 10,000 UF 125V 10-32	B	80	P	EA	2.00	1.00	1.00	0	00/00/00	99/99/99
3	319-00035-01	RECT BRIDGE, 25A/200V CERAMIC	A	85	P	EA	3.00	1.00	1.00	0	00/00/00	99/99/99
3	319-00063-00	TRIAC TO3 F/P 35 AMP 600V	B	90	P	EA	1.00	1.00	1.00	0	00/00/00	99/99/99
3	403-10003-00	SEALANT SILICONE RUBBER RTV	A	95	E	EA	0.00	1.00	1.00	0	00/00/00	99/99/99
3	507-00052-00	BRACKET, POWER SUPPLY	C	100	B	EA	2.00	1.00	1.00	0	00/00/00	99/99/99
3	550-00006-03	CBL, #10LUG, TR64, #18, 7" BRN	D	110	B	EA	1.00	1.00	1.00	0	00/00/00	99/99/99
3	550-00006-05	CBL, #10 LUG TR64 #18 6.5" RED	D	105	B	EA	1.00	1.00	1.00	0	04/01/93	99/99/99
3	601-00262-01	RESISTOR ASSY	E	113	X	EA	1.00	1.00	1.00	0	00/00/00	99/99/99
4	264-50221-6GA	RES WW CEM 5% 220 10W AX	A	10	P	EA	2.00	1.00	1.00	0	05/01/94	99/99/99
4	401-10602-00	WIRE 22 AWG TEW BLACK 5"	A	15	P	EA	2.00	1.00	1.00	0	02/01/94	99/99/99
4	403-10025-01	ADHESIVE, RTV 5813 HI TEMP	A	5	E	EA	0.00	1.00	1.00	0	02/01/94	99/99/99
4	507-00088-00	BRACKET, RESISTOR	A	20	B	EA	1.00	1.00	1.00	0	03/01/93	99/99/99
3	602-00464-05	CCA POWER SUPPLY	H	115	R	EA	1.00	1.00	1.00	0	00/00/00	99/99/99
4	115-60000-00	CONNECTOR, QD TAB .250 PCB	A	5	P	EA	13.00	1.00	1.00	0	00/00/00	99/99/99
4	160-30019-00	HEADER 2 PIN .156 LOCK ST POST	B	10	P	EA	1.00	1.00	1.00	0	00/00/00	08/14/95
4	160-30020-00	HEADER 3 PIN .156 LOCK ST POST	B	20	P	EA	1.00	1.00	1.00	0	00/00/00	08/14/95
4	160-30022-00	HEADER 6 PIN .156 LOCK ST POST	B	15	P	EA	2.00	1.00	1.00	0	00/00/00	08/14/95
4	160-30039-01	HEADER, 5-PIN .10 LOCK ST POST	A	25	P	EA	1.00	1.00	1.00	0	00/00/00	99/99/99
4	160-30042-01	HEADER, 4PIN .100 LOCK ST POST	A	22	P	EA	1.00	1.00	1.00	0	00/00/00	99/99/99
4	201-00020-00	CAP CER DISC 270 PF 1000V 10%	B	30	P	EA	1.00	1.00	1.00	0	00/00/00	99/99/99
4	201-00061-00	CAP CER DISC .001UF 250V 10%JL	B	35	P	EA	2.00	1.00	1.00	0	00/00/00	99/99/99
4	204-00010-00	CAP PLYFLM .0039UF 100V 10% RD	A	37	P	EA	1.00	1.00	1.00	0	00/00/00	99/99/99
4	204-00031-00	CAP PLYFLM .33 UF 100V 10% RAD	B	45	P	EA	1.00	1.00	1.00	0	00/00/00	99/99/99
4	204-00038-00	CAP PLYFLM .18 UF 100V 10% RAD	A	40	P	EA	1.00	1.00	1.00	0	00/00/00	99/99/99
4	205-03001-02	CAP LYTIC 1 UF 50V 20% RAD .2	B	65	P	EA	1.00	1.00	1.00	0	04/07/93	99/99/99
4	205-00013-02	CAP LYTIC 47 UF 25V 20% RAD .2	B	55	P	EA	3.00	1.00	1.00	0	00/00/00	99/99/99
4	205-00015-02	CAP LYTIC 100UF 10V 20% RAD .2	B	60	P	EA	2.00	1.00	1.00	0	00/00/00	99/99/99
4	205-00093-02	CAP LYTIC 2.2UF 50V 20% RAD .2	B	50	P	EA	1.00	1.00	1.00	0	00/00/00	99/99/99
4	205-00094-02	CAP LYTIC 10UF 25V 20% RAD .2	B	70	P	EA	2.00	1.00	1.00	0	00/00/00	99/99/99
4	205-00139-00	CAP LYTIC 6800 UF 35V SNAP MT	B	80	P	EA	2.00	1.00	1.00	0	00/00/00	99/99/99

=====
SORTED BY ASSEMBLY PART NUMBER, COMPONENT PART NUMBER
AS OF 08/03/95

CLASS CODE: 90
SERVICE DEMAND ONLY
PART: 608-00621-01A
DESC: TFM-75 AMP

UOM: EA SC: R REV: A

L E V COMPONENT PART	DESCRIPTION	RV	ITEM NUMBR	SC	ST UM	QTY PER ASSEMBLY	YIELD FACTR	CUM		EFFECTIV DATE	INACTIVE DATE
								YIELD	OPER SEQ		
-----1234567890-----											
4....205-00194-00	CAP LYTIC 4700 UF 80V 20% SNAP	A	75	P	EA	2.00	1.00	1.00		11/17/93	99/99/99
4....207-10015-01	CAP, MET POLY .1UF 250V CSA	A	90	P	EA	3.00	1.00	1.00		00/00/00	99/99/99
4....259-30002-00	POT 5K MINATURE PCB MOUNT	A	320	P	EA	1.00	1.00	1.00		00/00/00	99/99/99
4....260-50101-04D	RES, CF 5% 100 OHM 1/4W .5	A	110	P	EA	2.00	1.00	1.00		05/17/93	99/99/99
4....260-50102-04D	RES, CF 5% 1K 1/4W .5	A	135	P	EA	2.00	1.00	1.00		05/17/93	99/99/99
4....260-50103-04D	RES, CF 5% 10K 1/4W .5	A	170	P	EA	2.00	1.00	1.00		04/07/93	99/99/99
4....260-50104-04D	RES, CF 5% 100K 1/4W .5	A	220	P	EA	3.00	1.00	1.00		05/17/93	99/99/99
4....260-50122-04D	RES, CF 5% 1.2K 1/4W .5	A	140	P	EA	1.00	1.00	1.00		04/07/93	99/99/99
4....260-50134-04D	RES, CF 5% 130K 1/4W .5	A	230	P	EA	4.00	1.00	1.00		05/17/93	99/99/99
4....260-50153-04D	RES, CF 5% 15K 1/4W .5	A	175	P	EA	1.00	1.00	1.00		00/00/00	99/99/99
4....260-50154-04D	RES, CF 5% 150K 1/4W .5	A	235	P	EA	1.00	1.00	1.00		05/17/93	99/99/99
4....260-50162-05E	RES, CF 5% 1.6K 1/2W .6	B	147	P	EA	2.00	1.00	1.00		00/00/00	99/99/99
4....260-50180-05E	RES, CF 5% 18 OHM 1/2W .6	B	270	P	EA	1.00	1.00	1.00		00/00/00	99/99/99
4....260-50183-04D	RES, CF 5% 18K 1/4W .5	A	180	P	EA	1.00	1.00	1.00		00/00/00	99/99/99
4....260-50184-04D	RES, CF 5% 180K 1/4W .5	A	240	P	EA	1.00	1.00	1.00		05/17/93	99/99/99
4....260-50202-04D	RES, CF 5% 2K 1/4W .5	A	145	P	EA	2.00	1.00	1.00		05/17/93	99/99/99
4....260-50222-04D	RES, CF 5% 2.2K 1/4W .5	A	150	P	EA	2.00	1.00	1.00		00/00/00	99/99/99
4....260-50243-04D	RES, CF 5% 24K 1/4W .5	A	185	P	EA	2.00	1.00	1.00		00/00/00	99/99/99
4....260-50243-05E	RES, CF 5% 24K 1/2W .6	B	275	P	EA	1.00	1.00	1.00		00/00/00	99/99/99
4....260-50244-04D	RES, CF 5% 240K 1/4W .5	A	245	P	EA	2.00	1.00	1.00		05/17/93	99/99/99
4....260-50271-04D	RES, CF 5% 270 OHM 1/4W .5	A	317	P	EA	1.00	1.00	1.00		05/17/93	99/99/99
4....260-50273-04D	RES, CF 5% 27K 1/4W .5	A	190	P	EA	2.00	1.00	1.00		00/00/00	99/99/99
4....260-50331-04D	RES, CF 5% 330 OHM 1/4W .5	A	115	P	EA	1.00	1.00	1.00		05/17/93	99/99/99
4....260-50363-04D	RES, CF 5% 36K 1/4W .5	A	200	P	EA	2.00	1.00	1.00		00/00/00	99/99/99
4....260-50394-04D	RES, CF 5% 390K 1/4W .5	A	255	P	EA	1.00	1.00	1.00		05/17/93	99/99/99
4....260-50432-04D	RES, CF 5% 4.3K 1/4W .5	A	155	P	EA	1.00	1.00	1.00		00/00/00	99/99/99
4....260-50473-04D	RES, CF 5% 47K 1/4W .5	A	205	P	EA	2.00	1.00	1.00		00/00/00	99/99/99
4....260-50474-04D	RES, CF 5% 470K 1/4W .5	A	260	P	EA	1.00	1.00	1.00		05/17/93	99/99/99
4....260-50511-04D	RES, CF 5% 510 OHM 1/4W .5	A	95	P	EA	1.00	1.00	1.00		05/17/93	99/99/99
4....260-50512-04D	RES, CF 5% 5.1K 1/4W .5	A	160	P	EA	3.00	1.00	1.00		00/00/00	99/99/99
4....260-50514-04D	RES, CF 5% 510K 1/4W .5	A	265	P	EA	2.00	1.00	1.00		05/17/93	99/99/99
4....260-50623-04D	RES, CF 5% 62K 1/4W .5	A	210	P	EA	1.00	1.00	1.00		00/00/00	99/99/99
4....260-50681-04D	RES, CF 5% 680 OHM 1/4W .5	A	125	P	EA	3.00	1.00	1.00		05/17/93	99/99/99
4....260-50751-04D	RES, CF 5% 750 OHM 1/4W .5	A	130	P	EA	1.00	1.00	1.00		05/17/93	99/99/99
4....260-50752-04D	RES, CF 5% 7.5K 1/4W .5	A	165	P	EA	1.00	1.00	1.00		00/00/00	99/99/99
4....260-50753-04D	RES, CF 5% 75K 1/4W .5	A	195	P	EA	1.00	1.00	1.00		00/00/00	99/99/99
4....260-50825-05E	RES, CF 5% 8.2M 1/2W .6	B	285	P	EA	1.00	1.00	1.00		00/00/00	99/99/99
4....262-31003-04D	RES, MF 1% 100K 1/4W .5	A	300	P	EA	1.00	1.00	1.00		00/00/00	99/99/99
4....262-32211-04D	RES, MF 1% 2.21K 1/4W .5	A	290	P	EA	1.00	1.00	1.00		00/00/00	99/99/99
4....262-32371-04D	RES, MF 1% 2.37K 1/4W .5	A	287	P	EA	1.00	1.00	1.00		00/00/00	99/99/99
4....262-34321-04D	RES, MF 1% 4.32K 1/4W .5	A	295	P	EA	1.00	1.00	1.00		00/00/00	99/99/99
4....263-50103-08I	RES MO FP 5% 10K 2W 1.0 AX LG	C	315	P	EA	1.00	1.00	1.00		04/17/93	99/99/99
4....263-50123-08I	RES MO FP 5% 12K 2W 1.0 AX LG	C	311	P	EA	1.00	1.00	1.00		00/00/00	99/99/99
4....263-50823-07G	RES MO FP 5% 82K 1W .8 AX LG	B	310	P	EA	2.00	1.00	1.00		00/00/00	99/99/99
4....264-50271-18A	RES WW 5% 270 5W AX	A	318	P	EA	1.00	1.00	1.00		04/18/94	99/99/99
4....319-00064-01	TRIAC, MAC97A-8, TO92	A	322	P	EA	1.00	1.00	1.00		00/00/00	99/99/99
4....320-20001-00	DIODE, 1N4148 75V .4	C	325	P	EA	8.00	1.00	1.00		00/00/00	99/99/99
4....320-20004-00	DIODE 1N4004 400V PREP .4	B	330	P	EA	8.00	1.00	1.00		04/07/93	99/99/99
4....320-30009-00	DIODE, ZENER 1N4735A 6.2V .4	A	340	P	EA	1.00	1.00	1.00		00/00/00	99/99/99
4....320-30026-00	DIODE, ZENER 1N4742C 12V 2% .4	A	335	P	EA	2.00	1.00	1.00		00/00/00	99/99/99
4....321-40003-00	XISTOR TO92 PNP MPS8093	A	350	P	EA	1.00	1.00	1.00		00/00/00	99/99/99
4....321-40009-00	XISTOR TO92 PNP SM SG 2N4125	A	355	P	EA	1.00	1.00	1.00		00/00/00	99/99/99
4....321-40010-00	XISTOR TO92 NPN SM SG 2N4123	A	360	P	EA	2.00	1.00	1.00		00/00/00	99/99/99
4....321-40011-00	XISTOR TO92 NPN SM SG MPSA06	A	365	P	EA	2.00	1.00	1.00		00/00/00	99/99/99
4....321-40012-00	XISTOR TO92 PNP SM SG MPSA56	A	370	P	EA	2.00	1.00	1.00		00/00/00	99/99/99
4....321-90000-00	XISTOR B100 PNP PWR 2SA1360-Y	A	375	P	EA	1.00	1.00	1.00		00/00/00	99/99/99
4....321-90001-00	XISTOR B100 NPN PWR 2SC3423-Y	A	380	P	EA	1.00	1.00	1.00		00/00/00	99/99/99
4....330-30008-00	IC DUAL OP AMP (4558)	A	385	P	EA	2.00	1.00	1.00		00/00/00	99/99/99
4....330-40002-00	OPTOISOLATOR PXSTR CNY17-2Z	B	390	P	EA	1.00	1.00	1.00		00/00/00	99/99/99
4....401-10139-00	WIRE 18 AWG TR-64 BLK 6"	A	397	P	EA	1.00	1.00	1.00		00/00/00	99/99/99
4....401-10227-00	WIRE 18 AWG TEW RED 7"	A	403	P	EA	1.00	1.00	1.00		00/00/00	99/99/99
4....401-10228-00	WIRE 18 AWG TEW BRN 7"	A	405	P	EA	2.00	1.00	1.00		00/00/00	99/99/99
4....401-10246-01	WIRE 18 AWG TEW RED/BLK 7"	A	400	P	EA	1.00	1.00	1.00		00/00/00	99/99/99
4....501-00464-01	PCB, PWR SUPPLY PT2400/1800	B	415	B	EA	1.00	1.00	1.00	0	00/00/00	99/99/99
4....530-20102-01	STICKER, MARKER (VINYL)	A	417	P	EA	1.00	1.00	1.00	0	00/00/00	99/99/99

=====
 SORTED BY ASSEMBLY PART NUMBER, COMPONENT PART NUMBER
 AS OF 08/03/95

CLASS CODE: 90
 SERVICE DEMAND ONLY
 PART: 608-00621-01A
 DESC: TFM-75 AMP

UOM: EA SC: R REV: A

L E V COMPONENT PART	DESCRIPTION	RV	ITEM NUMBR	SC	ST QTY PER UM ASSEMBLY	CUM			EFFECTIV DATE	INACTIVE DATE
						YIELD	RTG	OPER		
-- 1234567890--						FACTR	YIELD	SEQ		
4....550-00002-00	CBL .250 FAST #18 TEW 2.5" RED	K	420	EA	1.00	1.00	1.00		00/00/00	99/99/99
4....550-00002-01	CBL .250 FAST #18 2.5" BLU	K	425	EA	1.00	1.00	1.00		00/00/00	99/99/99
4....550-00002-07	CBL .250 FAST #18 TEW 2.5" WHT	K	430	EA	1.00	1.00	1.00		00/00/00	99/99/99
4....550-00006-03	CBL,#10LUG,TR64,#18, 7" BRN	D	440	EA	1.00	1.00	1.00		00/00/00	99/99/99
4....550-00006-05	CBL,#10 LUG TR64 #18 6.5" RED	D	435	EA	1.00	1.00	1.00		00/00/00	99/99/99
4....550-00013-01	CBL,.250FAST,22AWG,TEW,BLK 8"	D	445	EA	1.00	1.00	1.00		00/00/00	99/99/99
4....616-00017-00	CHOKE, 1MH (X2), 250V 15A	A	450	EA	1.00	1.00	1.00		00/00/00	99/99/99
3...617-10064-05	TRANSFORMER, UI 1200W UL/CSA	A	120	EA	1.00	1.00	1.00		05/01/93	99/99/99
2..602-00548-01	PCB ASSY, OUTPUT	B	265	EA	1.00	1.00	1.00		00/00/00	99/99/99
3...115-60000-00	CONNECTOR,QD TAB .250 PCB	A	5	EA	4.00	1.00	1.00		00/00/00	99/99/99
3...160-30024-00	HEADER 2 PIN .1 LOCK ST POST	A	10	EA	1.00	1.00	1.00		00/00/00	99/99/99
3...204-00033-00	CAP METPOLY .33 UF 400V 10% RD	B	15	EA	2.00	1.00	1.00		00/00/00	99/99/99
3...205-00122-02	CAP LYTIC 22 UF 63V 20% RAD .2	A	20	EA	2.00	1.00	1.00		03/09/93	99/99/99
3...256-30001-01	THERMISTOR NTC 1000OHM 1/2W 5%	A	25	EA	1.00	1.00	1.00		00/00/00	99/99/99
3...260-50362-04D	RES, CF 5% 3.6K 1/4W .5	A	30	EA	1.00	1.00	1.00		00/00/00	99/99/99
3...260-50363-04D	RES, CF 5% 36K 1/4W .5	A	35	EA	1.00	1.00	1.00		00/00/00	99/99/99
3...260-50751-04D	RES, CF 5% 750 OHM 1/4W .5	A	45	EA	1.00	1.00	1.00		05/17/93	99/99/99
3...263-50202-081	RES MO FP 5% 2K 2W 1.0 AX LG	C	50	EA	2.00	1.00	1.00		05/17/93	99/99/99
3...264-50277-08K	RES HW 5% 2.7 5W 1.2 AX	A	55	EA	2.00	1.00	1.00		04/18/94	99/99/99
3...266-50187-04D	RES FLM PRF 5% 1.8 OHM 1/4W .5	A	57	EA	1.00	1.00	1.00		00/00/00	99/99/99
3...320-20001-00	DIODE, 1N4148 75V .4	C	60	EA	2.00	1.00	1.00		00/00/00	99/99/99
3...320-20004-00	DIODE 1N4004 400V PREP .4	B	65	EA	4.00	1.00	1.00		00/00/00	99/99/99
3...321-60000-00	XISTOR TO220 NPN PWR MJE3055T	A	70	EA	1.00	1.00	1.00		00/00/00	99/99/99
3...401-10721-01	CABLE, RIBB 4-COND #22 6"	C	72	EA	1.00	1.00	1.00		00/00/00	99/99/99
3...501-00548-01	PCB, OUTPUT	A	75	EA	1.00	1.00	1.00		00/00/00	99/99/99
3...550-10073-01	HARN CONN 4 PIN 2-WIRE #22 10"	B	80	EA	1.00	1.00	1.00		00/00/00	99/99/99
3...550-10073-02	HARN CONN 4 PIN 2-WIRE #22 20"	B	85	EA	1.00	1.00	1.00		00/00/00	99/99/99
3...550-10074-01	HARN CONN 3 PIN #22 16"	A	90	EA	1.00	1.00	1.00		00/00/00	99/99/99
3...550-10074-02	HARN CONN 3 PIN #22 22"	A	95	EA	1.00	1.00	1.00		00/00/00	99/99/99
3...616-00016-00	CHOKE, 5UH 20A .006 OHMS	B	100	EA	2.00	1.00	1.00		00/00/00	99/99/99
3...617-20002-01	RELAY, SPDT, 24V, 20A	D	105	EA	2.00	1.00	1.00		00/00/00	99/99/99
2..602-00549-01	PCB ASSY, INPUT	D	270	EA	1.00	1.00	1.00		00/00/00	99/99/99
3...160-30032-00	HEADER 3-PIN RT. ANGLE SQUARE	A	10	EA	2.00	1.00	1.00		00/00/00	99/99/99
3...160-30033-00	HEADER 10-PIN RT. ANGLE SQUARE	A	15	EA	2.00	1.00	1.00		00/00/00	99/99/99
3...201-00002-00	CAP CER DISC 10 PF 1000V 10%	C	20	EA	4.00	1.00	1.00		00/00/00	99/99/99
3...201-00005-00	CAP CER DISC 27 PF 1000V 10%	B	25	EA	2.00	1.00	1.00		00/00/00	99/99/99
3...201-00009-00	CAP CER DISC 68 PF 1000V 10%	B	35	EA	2.00	1.00	1.00		00/00/00	99/99/99
3...201-00012-00	CAP CER DISC 100 PF 1000V 10%	B	40	EA	4.00	1.00	1.00		00/00/00	99/99/99
3...204-00011-00	CAP PLYFLM .0047UF 100V 10% RD	A	45	EA	2.00	1.00	1.00		00/00/00	99/99/99
3...204-00015-00	CAP PLYFLM .01 UF 100V 10% RAD	A	50	EA	2.00	1.00	1.00		00/00/00	99/99/99
3...205-00019-00	CAP LYTIC 470 UF 6.3V 20% RAD	B	70	EA	2.00	1.00	1.00		00/00/00	99/99/99
3...205-00156-02	CAP LYTIC 22UF 16V 20% RAD .2	B	75	EA	10.00	1.00	1.00		03/30/93	99/99/99
3...207-10012-00	CAP MPOLY .33 UF 100V 10% RAD	B	80	EA	2.00	1.00	1.00		00/00/00	99/99/99
3...260-50102-04D	RES, CF 5% 1K 1/4W .5	A	90	EA	2.00	1.00	1.00		05/17/93	99/99/99
3...260-50103-04D	RES, CF 5% 10K 1/4W .5	A	100	EA	2.00	1.00	1.00		00/00/00	99/99/99
3...260-50104-04D	RES, CF 5% 100K 1/4W .5	A	190	P EA	4.00	1.00	1.00		05/17/93	99/99/99
3...260-50133-04D	RES, CF 5% 13K 1/4W .5	A	105	P EA	2.00	1.00	1.00		00/00/00	99/99/99
3...260-50152-04D	RES, CF 5% 1.5K 1/4W .5	A	110	P EA	8.00	1.00	1.00		00/00/00	99/99/99
3...260-50153-04D	RES, CF 5% 15K 1/4W .5	A	120	P EA	2.00	1.00	1.00		00/00/00	99/99/99
3...260-50154-04D	RES, CF 5% 150K 1/4W .5	A	195	P EA	2.00	1.00	1.00		05/17/93	99/99/99
3...260-50202-04D	RES, CF 5% 2K 1/4W .5	A	95	P EA	2.00	1.00	1.00		05/17/93	99/99/99
3...260-50222-04D	RES, CF 5% 2.2K 1/4W .5	A	130	P EA	4.00	1.00	1.00		00/00/00	99/99/99
3...260-50224-04D	RES, CF 5% 220K 1/4W .5	A	200	P EA	2.00	1.00	1.00		05/17/93	99/99/99
3...260-50243-04D	RES, CF 5% 24K 1/4W .5	A	135	P EA	2.00	1.00	1.00		00/00/00	99/99/99
3...260-50433-04D	RES, CF 5% 43K 1/4W .5	A	150	P EA	2.00	1.00	1.00		0 00/00/00	99/99/99
3...260-50472-04D	RES, CF 5% 4.7K 1/4W .5	A	155	P EA	4.00	1.00	1.00		0 00/00/00	99/99/99
3...260-50473-04D	RES, CF 5% 47K 1/4W .5	A	156	P EA	2.00	1.00	1.00		0 00/00/00	99/99/99
3...260-50474-04D	RES, CF 5% 470K 1/4W .5	A	205	P EA	2.00	1.00	1.00		0 05/17/93	99/99/99
3...260-50513-04D	RES, CF 5% 51K 1/4W .5	A	160	P EA	2.00	1.00	1.00		0 00/00/00	99/99/99
3...260-50683-04D	RES, CF 5% 68K 1/4W .5	A	161	P EA	2.00	1.00	1.00		0 00/00/00	99/99/99
3...260-50822-04D	RES, CF 5% 8.2K 1/4W .5	A	175	P EA	6.00	1.00	1.00		0 00/00/00	99/99/99
3...260-50823-04D	RES, CF 5% 82K 1/4W .5	A	180	P EA	2.00	1.00	1.00		0 00/00/00	99/99/99
3...260-50912-04D	RES, CF 5% 9.1K 1/4W .5	A	185	P EA	2.00	1.00	1.00		0 00/00/00	99/99/99
3...262-34222-04D	RES, MF 1% 42.2K 1/4W .5	A	215	P EA	2.00	1.00	1.00		0 00/00/00	99/99/99
3...262-39090-04D	RES, MF 1% 909 OHM 1/4W .5	A	220	P EA	2.00	1.00	1.00		0 00/00/00	99/99/99

INDENTED BILL OF MATERIALS

=====

SORTED BY ASSEMBLY PART NUMBER, COMPONENT PART NUMBER
 AS OF 08/03/95

CLASS CODE: 90
 SERVICE DEMAND ONLY
 PART: 608-00621-01A
 DESC: TFM-75 AMP

UOM: EA SC: R REV: A

L E V COMPONENT PART	DESCRIPTION	ITEM RV NUMBR	ST QTY PER SC UM ASSEMBLY	CUM		OPER SEQ	EFFECTIV DATE	INACTIVE DATE
				YIELD FACTR	RTG YIELD			
1234567890								
3...266-50101-040	RES FUSIBLE 5% 100 OHM 1/4W .5	C 230		4.00	1.00	1.00	0 05/17/93	99/99/99
3...266-50430-040	RES FUSIBLE 5% 43 OHM 1/4W .5	C 225		4.00	1.00	1.00	0 00/00/00	99/99/99
3...266-50751-040	RES FUSIBLE 5% 750 OHM 1/4W .5	C 235		2.00	1.00	1.00	0 05/17/93	99/99/99
3...266-50911-040	RES FUSIBLE 5% 910 OHM 1/4W .5	C 240		6.00	1.00	1.00	0 05/17/93	99/99/99
3...320-20001-00	DIODE, 1N4148 75V .4	C 245		10.00	1.00	1.00	0 00/00/00	99/99/99
3...321-40001-00	XISTOR T092 NPN SM SG MPSA43	A 265		4.00	1.00	1.00	0 00/00/00	99/99/99
3...321-40004-00	XISTOR T092 PNP SM SG MPSA93	A 270		2.00	1.00	1.00	0 00/00/00	99/99/99
3...321-40010-00	XISTOR T092 NPN SM SG 2N4123	A 275		2.00	1.00	1.00	00/00/00	99/99/99
3...321-40013-01	XISTOR T092 NPN SM SG MPSA18	B 280		2.00	1.00	1.00	00/00/00	99/99/99
3...321-60012-00	XISTOR T0225AA NPN PWR MJE340	A 285		2.00	1.00	1.00	00/00/00	99/99/99
3...321-60013-00	XISTOR T0225AA PNP PWR MJE350	A 290		2.00	1.00	1.00	00/00/00	99/99/99
3...330-30001-00	IC DUAL OP AMP BIFET (TL072)	A 295		2.00	1.00	1.00	00/00/00	99/99/99
3...330-40008-01	OPTOISOLATOR, PREP .71-.79 UP	C 305		2.00	1.00	1.00	09/01/94	99/99/99
3...401-10615-00	WIRE 22 AWG TR-64 YELLOW 1.5"	A 310		2.00	1.00	1.00	00/00/00	99/99/99
3...501-00549-01	PCB, INPUT	B 330		1.00	1.00	1.00	00/00/00	99/99/99
3...550-00002-16	CBL .25 FST #18 TEW 14" BLK/WH	K 335		1.00	1.00	1.00	00/00/00	99/99/99
3...550-00002-17	CBL .25 FST #18 TEW 8" BLK/WHT	K 340		1.00	1.00	1.00	00/00/00	99/99/99
3...550-00021-04	CBL .250 #16 TEW 12" BLK	H 345		2.00	1.00	1.00	00/00/00	99/99/99
2...602-00550-01	PCB ASSY, METER, RIGHT	B 273		1.00	1.00	1.00	00/00/00	99/99/99
3...115-60000-00	CONNECTOR,OD TAB .250 PCB	A 5		1.00	1.00	1.00	00/00/00	99/99/99
3...118-61011-02	SPCR BRS .250DX.141D SNK .187L	A 10		2.00	1.00	1.00	00/00/00	99/99/99
3...119-20006-00	TERMINAL, TUBULAR SOLDER	A 15		4.00	1.00	1.00	00/00/00	99/99/99
3...160-30038-01	HEADER, 3-PIN .10 LOCK ST POST	A 20		2.00	1.00	1.00	00/00/00	99/99/99
3...205-00013-02	CAP LYTIC 47 UF 25V 20% RAD .2	B 30		3.00	1.00	1.00	00/00/00	99/99/99
3...205-00016-02	CAP LYTIC 100UF 25V 20% RAD .2	B 35		2.00	1.00	1.00	00/00/00	99/99/99
3...205-00019-00	CAP LYTIC 470 UF 6.3V 20% RAD	B 40		1.00	1.00	1.00	00/00/00	99/99/99
3...205-00093-02	CAP LYTIC 2.2UF 50V 20% RAD .2	B 25		1.00	1.00	1.00	01/17/94	99/99/99
3...259-30013-01	POT, 200K .3W 25% RT ANG MINI	A 45		1.00	1.00	1.00	00/00/00	99/99/99
3...260-50102-040	RES, CF 5% 1K 1/4W .5	A 50		6.00	1.00	1.00	05/17/93	99/99/99
3...260-50103-040	RES, CF 5% 10K 1/4W .5	A 55		1.00	1.00	1.00	00/00/00	99/99/99
3...260-50111-040	RES, CF 5% 110 OHM 1/4W .5	A 80		1.00	1.00	1.00	05/17/93	99/99/99
3...260-50180-040	RES, CF 5% 18 OHM 1/4W .5	A 60		2.00	1.00	1.00	00/00/00	99/99/99
3...260-50220-040	RES, CF 5% 22 OHM 1/4W .5	A 78		1.00	1.00	1.00	03/25/93	99/99/99
3...260-50303-040	RES, CF 5% 30K 1/4W .5	A 65		4.00	1.00	1.00	00/00/00	99/99/99
3...260-50333-040	RES, CF 5% 33K 1/4W .5	A 75		1.00	1.00	1.00	03/25/93	99/99/99
3...260-50432-040	RES, CF 5% 4.3K 1/4W .5	A 70		2.00	1.00	1.00	00/00/00	99/99/99
3...260-50471-040	RES, CF 5% 470 OHM 1/4W .5	A 95		1.00	1.00	1.00	05/17/93	99/99/99
3...260-50561-040	RES, CF 5% 560 OHM 1/4W .5	A 100		1.00	1.00	1.00	05/17/93	99/99/99
3...260-50820-040	RES, CF 5% 82 OHM 1/4W .5	A 85		1.00	1.00	1.00	00/00/00	99/99/99
3...260-50824-040	RES, CF 5% 820K 1/4W .5	A 90		1.00	1.00	1.00	05/17/93	99/99/99
3...263-50560-081	RES MO FP 5% 56 2W 1.0 AX LG	C 105		2.00	1.00	1.00	00/00/00	99/99/99
3...320-20001-00	DIODE, 1N4148 75V .4	C 110		2.00	1.00	1.00	00/00/00	99/99/99
3...320-20004-02	DIODE 1N4004 400V PREP .5	B 115		1.00	1.00	1.00	00/00/00	99/99/99
3...320-30007-00	DIODE, ZENER 5.1V 1W PREP .5	A 120		3.00	1.00	1.00	00/00/00	99/99/99
3...320-40001-00	LED, RED	A 125		1.00	1.00	1.00	00/00/00	99/99/99
3...320-50001-00	LAMP, 12V PIGTAIL	B 130		2.00	1.00	1.00	00/00/00	99/99/99
3...321-10000-00	XISTOR 152 NPN SM SG MPSW06	A 135		1.00	1.00	1.00	03/25/93	99/99/99
3...321-40011-00	XISTOR T092 NPN SM SG MPSA06	A 140		2.00	1.00	1.00	03/25/93	99/99/99
3...321-40013-01	XISTOR T092 NPN SM SG MPSA18	B 142		1.00	1.00	1.00	03/25/93	99/99/99
3...330-30008-00	IC DUAL OP AMP (4558)	A 145		1.00	1.00	1.00	00/00/00	99/99/99
3...401-10636-00	WIRE 22 AWG TR-64 BLK 2.5"	A 147		1.00	1.00	1.00	03/22/93	99/99/99
3...401-10645-00	WIRE 22 AWG TR-64 YELLOW 2.5"	A 149		1.00	1.00	1.00	03/22/93	99/99/99
3...403-40021-00	TAPE FOAM DBL BACK 1/2X1/8	A 150		0.25	1.00	1.00	00/00/00	99/99/99
3...501-00550-01	PCB, METER	B 155		1.00	1.00	1.00	00/00/00	99/99/99
3...550-10075-01	HARN, CONN, 5 PIN, 4 WIRE, #22	C 160		1.00	1.00	1.00	00/00/00	99/99/99
2...602-00550-02	PCB ASSY, METER, LEFT	B 274		1.00	1.00	1.00	00/00/00	99/99/99
3...115-60000-00	CONNECTOR,OD TAB .250 PCB	A 5		1.00	1.00	1.00	00/00/00	99/99/99
3...118-61011-02	SPCR BRS .250DX.141D SNK .187L	A 10		2.00	1.00	1.00	00/00/00	99/99/99
3...119-20006-00	TERMINAL, TUBULAR SOLDER	A 15		4.00	1.00	1.00	00/00/00	99/99/99
3...160-30038-01	HEADER, 3-PIN .10 LOCK ST POST	A 20		2.00	1.00	1.00	00/00/00	99/99/99
3...205-00013-02	CAP LYTIC 47 UF 25V 20% RAD .2	B 30		3.00	1.00	1.00	00/00/00	99/99/99
3...205-00016-02	CAP LYTIC 100UF 25V 20% RAD .2	B 35		2.00	1.00	1.00	00/00/00	99/99/99
3...205-00019-00	CAP LYTIC 470 UF 6.3V 20% RAD	B 40		1.00	1.00	1.00	00/00/00	99/99/99
3...205-00093-02	CAP LYTIC 2.2UF 50V 20% RAD .2	B 25		1.00	1.00	1.00	01/17/94	99/99/99
3...259-30013-01	POT, 200K .3W 25% RT ANG MINI	A 45		1.00	1.00	1.00	00/00/00	99/99/99

INDENTED BILL OF MATERIALS

=====

SORTED BY ASSEMBLY PART NUMBER, COMPONENT PART NUMBER
AS OF 08/03/95

CLASS CODE: 90
SERVICE DEMAND ONLY
PART: 608-00621-01A
DESC: TFM-75 AMP

UOM: EA SC: R REV: A

L E V COMPONENT PART	DESCRIPTION	ITEM RV NUMBR	SC	UM	ST QTY PER ASSEMBLY	CUM			OPER SEQ	EFFECTIV DATE	INACTIVE DATE
						YIELD	RTG	FACTR			
-- 1234567890--											
3...260-50102-04D	RES, CF 5% 1K 1/4W .5	A	50	P	EA	6.00	1.00	1.00	0	05/17/93	99/99/99
3...260-50103-04D	RES, CF 5% 10K 1/4W .5	A	55	P	EA	1.00	1.00	1.00	0	00/00/00	99/99/99
3...260-50111-04D	RES, CF 5% 110 OHM 1/4W .5	A	80	P	EA	1.00	1.00	1.00	0	05/17/93	99/99/99
3...260-50180-04D	RES, CF 5% 18 OHM 1/4W .5	A	60	P	EA	2.00	1.00	1.00	0	00/00/00	99/99/99
3...260-50220-04D	RES, CF 5% 22 OHM 1/4W .5	A	78	P	EA	1.00	1.00	1.00	0	03/25/93	99/99/99
3...260-50303-04D	RES, CF 5% 30K 1/4W .5	A	65	P	EA	4.00	1.00	1.00	0	00/00/00	99/99/99
3...260-50333-04D	RES, CF 5% 33K 1/4W .5	A	75	P	EA	1.00	1.00	1.00	0	03/25/93	99/99/99
3...260-50432-04D	RES, CF 5% 4.3K 1/4W .5	A	70	P	EA	2.00	1.00	1.00	0	00/00/00	99/99/99
3...260-50471-04D	RES, CF 5% 470 OHM 1/4W .5	A	95	P	EA	1.00	1.00	1.00	0	05/17/93	99/99/99
3...260-50561-04D	RES, CF 5% 560 OHM 1/4W .5	A	100	P	EA	1.00	1.00	1.00	0	05/17/93	99/99/99
3...260-50820-04D	RES, CF 5% 82 OHM 1/4W .5	A	85	P	EA	1.00	1.00	1.00	0	00/00/00	99/99/99
3...260-50824-04D	RES, CF 5% 820K 1/4W .5	A	90	P	EA	1.00	1.00	1.00	0	05/17/93	99/99/99
3...263-50560-08I	RES MO FP 5% 56 2W 1.0 AX LG	C	105	P	EA	2.00	1.00	1.00	0	00/00/00	99/99/99
3...320-20001-00	DIODE, 1N4148 75V .4	C	110	P	EA	2.00	1.00	1.00	0	00/00/00	99/99/99
3...320-20004-02	DIODE 1N4004 400V PREP .5	B	115	P	EA	1.00	1.00	1.00	0	00/00/00	99/99/99
3...320-30007-00	DIODE, ZENER 5.1V 1W PREP .5	A	120	P	EA	3.00	1.00	1.00	0	00/00/00	99/99/99
3...320-40001-00	LED, RED	A	125	P	EA	1.00	1.00	1.00	0	00/00/00	99/99/99
3...320-50001-00	LAMP, 12V PIGTAIL	B	130	P	EA	2.00	1.00	1.00	0	00/00/00	99/99/99
3...321-10000-00	XISTOR 152 NPN SM SG MPSW06	A	135	P	EA	1.00	1.00	1.00	0	03/25/93	99/99/99
3...321-40011-00	XISTOR TO92 NPN SM SG MPSA06	A	140	P	EA	2.00	1.00	1.00	0	03/25/93	99/99/99
3...321-40013-01	XISTOR TO92 NPN SM SG MPSA18	B	142	P	EA	1.00	1.00	1.00	0	03/25/93	99/99/99
3...330-30008-00	IC DUAL OP AMP (4558)	A	145	P	EA	1.00	1.00	1.00	0	00/00/00	99/99/99
3...401-10636-00	WIRE 22 AWG TR-64 BLK 2.5"		147	P	EA	1.00	1.00	1.00	0	03/22/93	99/99/99
3...401-10645-00	WIRE 22 AWG TR-64 YELLOW 2.5"		149	P	EA	1.00	1.00	1.00	0	03/22/93	99/99/99
3...403-40021-00	TAPE FOAM DBL BACK 1/2X1/8		150	E	FT	0.25	1.00	1.00	0	00/00/00	99/99/99
3...501-00550-01	PCB, METER	B	155	B	EA	1.00	1.00	1.00	0	00/00/00	99/99/99
3...550-10075-01	HARN, CONN, 5 PIN, 4 WIRE, #22	C	160	B	EA	1.00	1.00	1.00	0	00/00/00	99/99/99
1.990-00029-00	CARD, LIMITED WARRANTY (HOME)	C	35	P	EA	1.00	1.00	1.00	0	00/00/00	99/99/99
1.990-00031-00	CARD WARNTY REGISTRATION HOME	B	40	P	EA	1.00	1.00	1.00	0	00/00/00	99/99/99
1.990-00037-00	ENVELOPE, HOLOGRAM TEST DISC	A	45	P	EA	1.00	1.00	1.00	0	00/00/00	99/99/99
1.990-20157-00	MANUAL, OWNERS TFM-75	A	50	B	EA	1.00	1.00	1.00	0	00/00/00	99/99/99