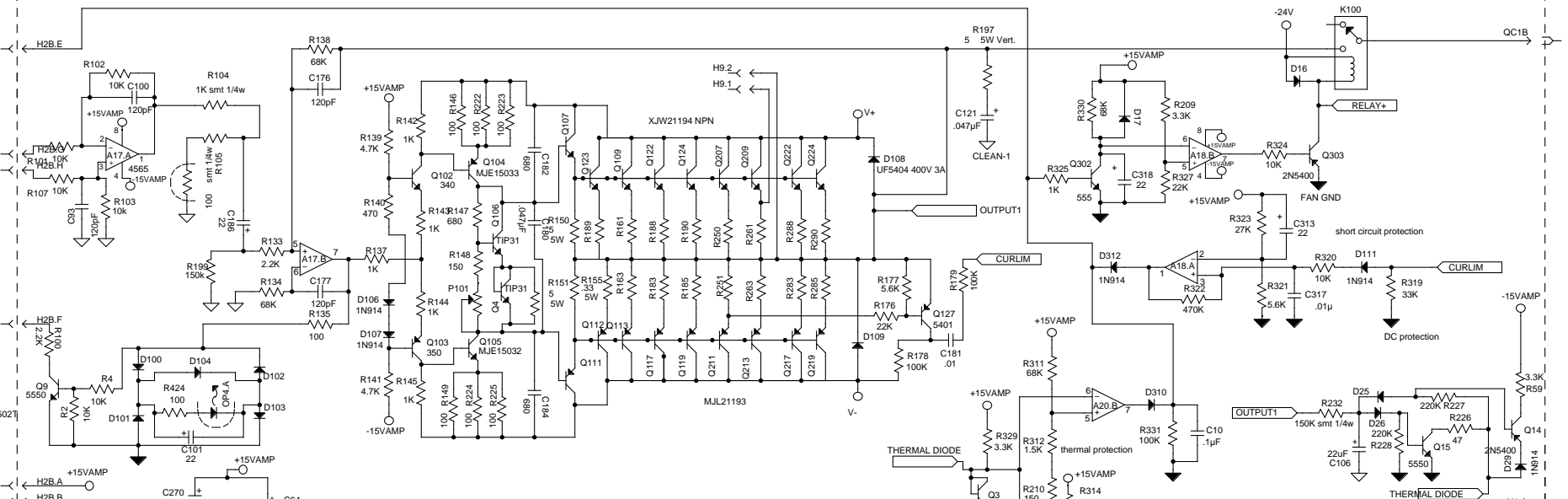
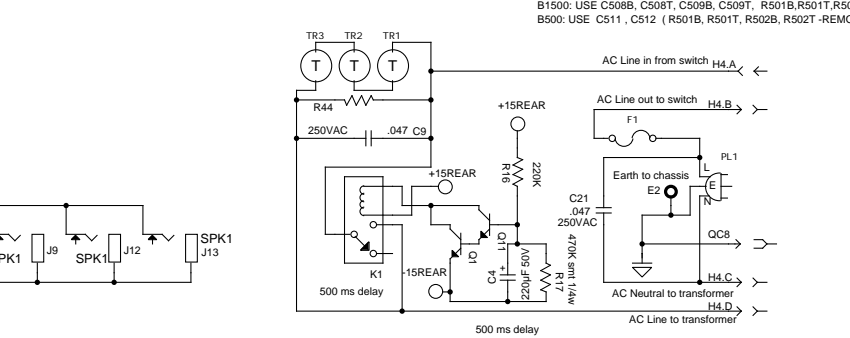
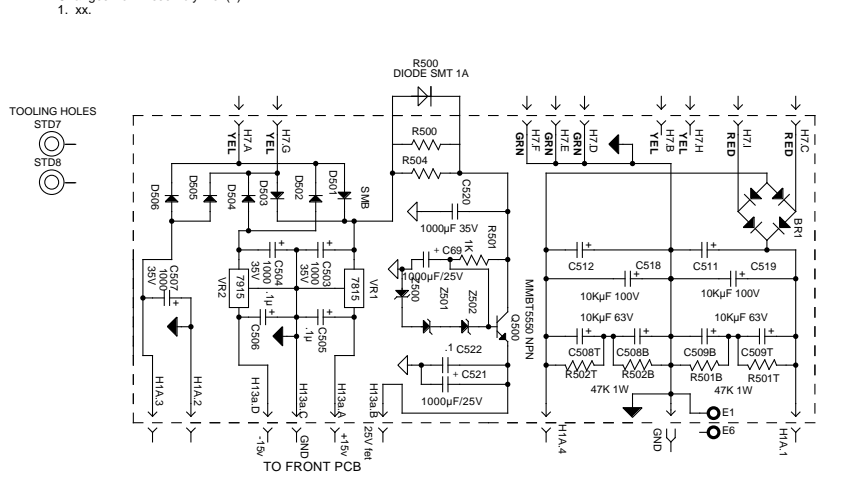
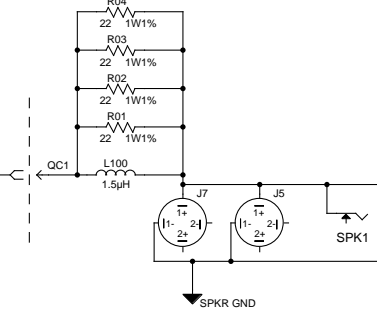


4. ADDED AS SECONDARY OPERATION.
 2. ALL CAPACITORS IN MICROFARADS, EXCEPT AS NOTED.
 1. ALL RESISTORS IN OHMS
- NOTES: UNLESS OTHERWISE SPECIFIED.

CARVIN
B1500
System Master

DRAWN BY: GEORGE DREYER DATE: 19DEC01
 APPROVED: DATE:
 PCB NO: 30-41500 REV: C
 ASSY: 80-40500 REV: 001
 NO: 80-41500 REV: 001
 REVISED BY: E. PETERSEN DATE: 05DEC03

- CHANGES FOR LR400 ASSEMBLY: 8-00400
 1. Add Q11x0, Q2x10 (Type: MJL 21194).
 2. Add Q114, Qx4 (Type: MJL 21193).



- B500 USES THE FOLLOWING DEVICES:
 21194- Q107, Q109, Q209, Q222
 21193- Q111, Q113, Q211, Q213
 R150, R151 (5)
 R161, R163, R251, R261, R263, R288 (0.33)

Changes from Assembly Rev(7).
 1. xx.