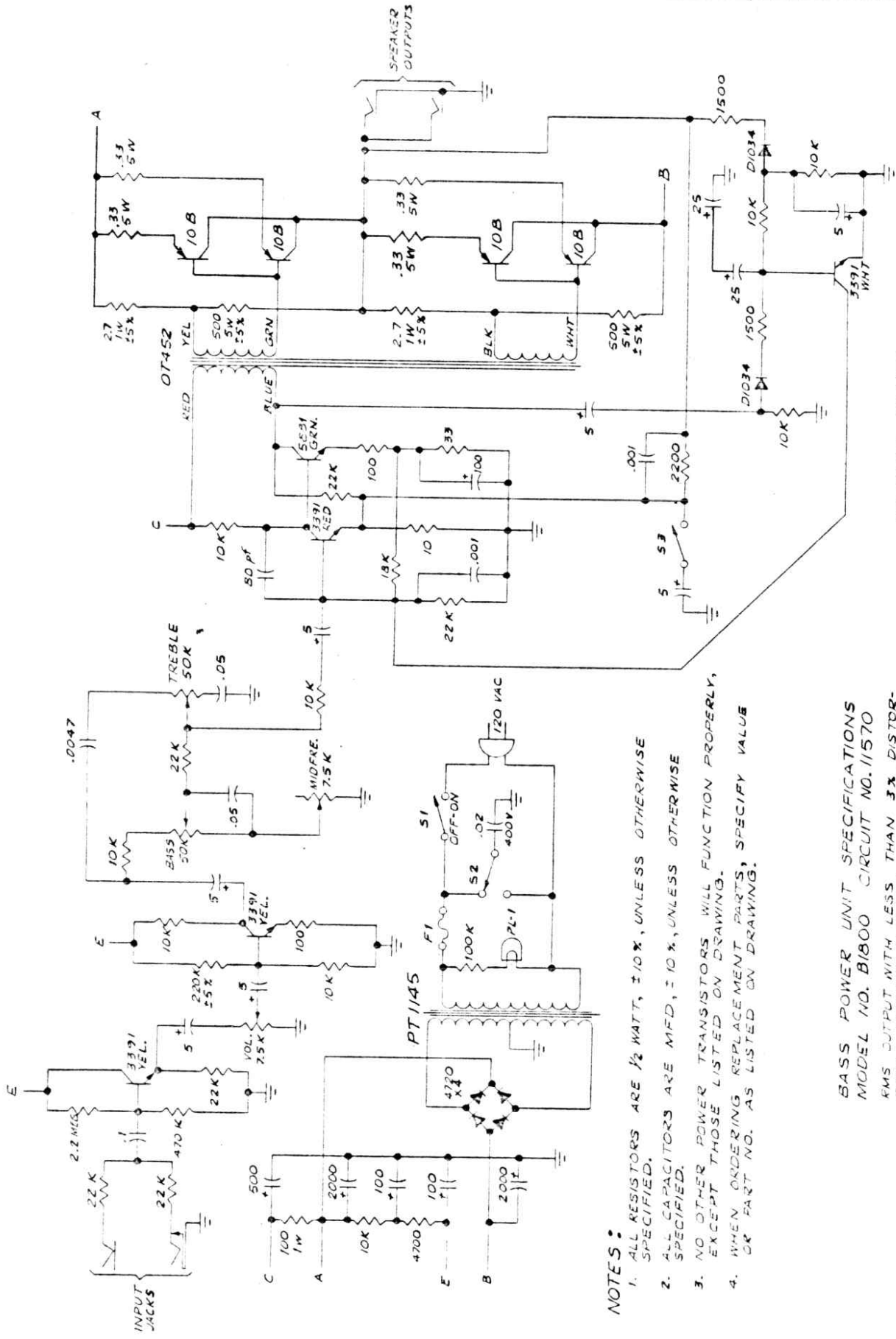


VOLTAGE CHART  
 LINE VOLTAGE 120 VAC  
 A +35 VDC  
 B -35  
 C +28  
 E +17

- NOTES:
1. ALL RESISTORS ARE 1/2 WATT, ±10%, UNLESS OTHERWISE SPECIFIED.
  2. ALL CAPACITORS ARE MFD, ±10%, UNLESS OTHERWISE SPECIFIED.
  3. NO OTHER POWER TRANSISTORS WILL FUNCTION PROPERLY, EXCEPT THOSE LISTED ON DRAWING.
  4. WHEN ORDERING REPLACEMENT PARTS, SPECIFY VALUE OR PART NO. AS LISTED ON DRAWING.

BASS POWER UNIT SPECIFICATIONS  
 MODEL NO. B1050 CIRCUIT NO. 11370  
 RMS OUTPUT WITH LESS THAN 3% DISTORTION: 80 WATTS @ 4 OHMS  
 MINIMUM SPEAKER IMPEDANCE: 4 OHMS  
 INPUT IMPEDANCE: 25K - 100K OHMS  
 INPUT SENSITIVITY: 28 MV @ 1.5 KHZ



VOLTAGE CHART  
 LINE VOLTAGE 120 VAC  
 A +37 VDC  
 B -37  
 C +32  
 E +17

- NOTES :**
1. ALL RESISTORS ARE 1/2 WATT, ±10%, UNLESS OTHERWISE SPECIFIED.
  2. ALL CAPACITORS ARE MFD, ±10%, UNLESS OTHERWISE SPECIFIED.
  3. NO OTHER POWER TRANSISTORS WILL FUNCTION PROPERLY, EXCEPT THOSE LISTED ON DRAWING.
  4. WHEN ORDERING REPLACEMENT PARTS, SPECIFY VALUE OR PART NO. AS LISTED ON DRAWING.

BASS POWER UNIT SPECIFICATIONS  
 MODEL NO. B1800 CIRCUIT NO. 11570  
 RMS OUTPUT WITH LESS THAN 3% DISTORTION: 130 W @ 2 OHMS, 110 W @ 4 OHMS  
 MINIMUM SPEAKER IMPEDANCE: 2 OHMS  
 INPUT IMPEDANCE: 20K - 100K OHMS  
 INPUT SENSITIVITY: 24 MV @ 1.5 KHz