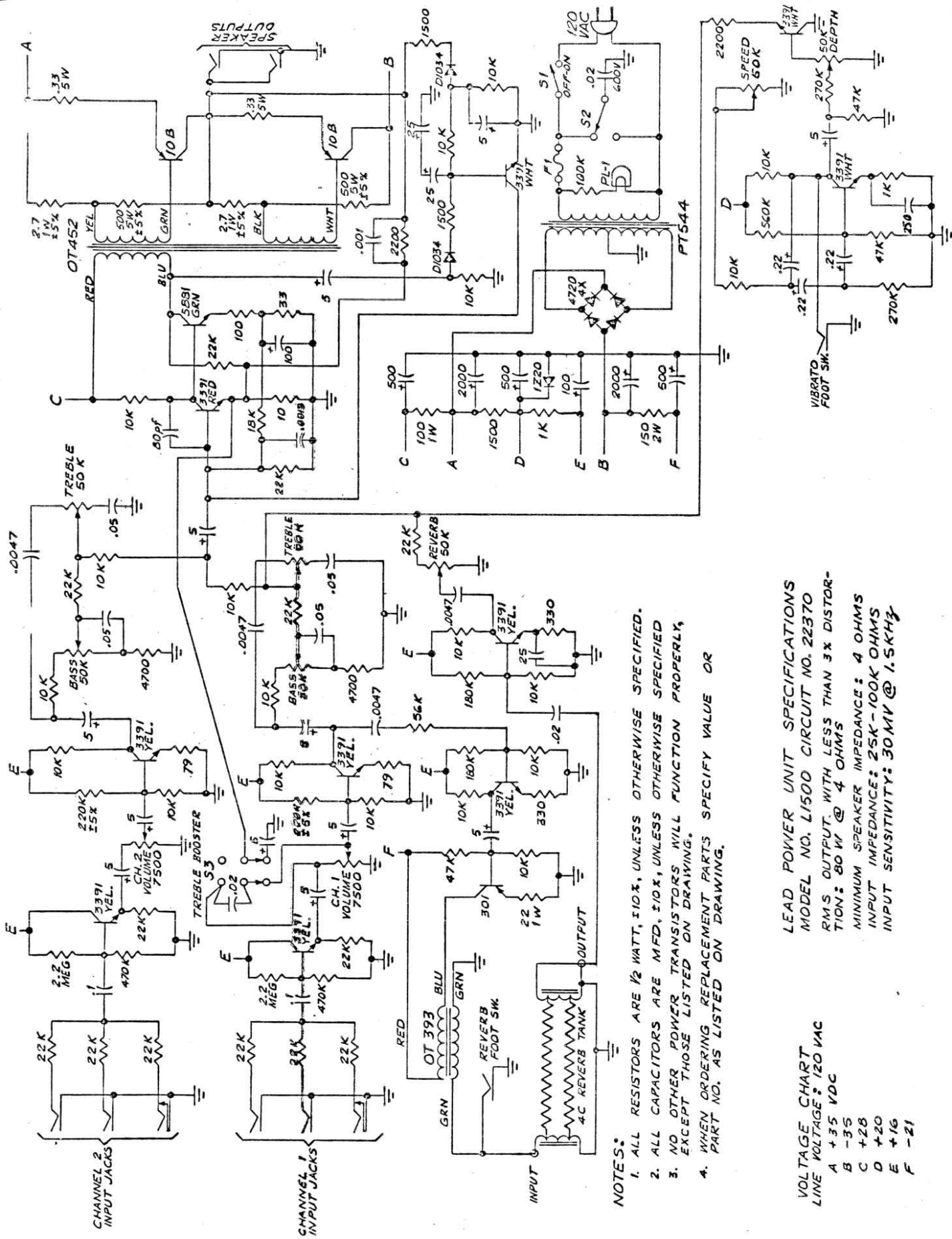


3. CIRCUIT IS SUBJECT TO MINOR CHANGE WITHOUT NOTICE.
 2. ALL RESISTORS ARE LOW NOISE FILM, 1/2 W, ±5%.
 1. ALL CAPACITORS ARE LISTED IN M.F., 10% MYLAR FILM.
 NOTES: UNLESS OTHERWISE SPECIFIED:

CARVIN MANUFACTURING	
SCHEMATIC	
SOLID STATE BASS AMP.	
B3000	63457
Z3-74	



- NOTES:**
1. ALL RESISTORS ARE 1/2 WATT, ±10%, UNLESS OTHERWISE SPECIFIED.
 2. ALL CAPACITORS ARE MFD, ±10%, UNLESS OTHERWISE SPECIFIED.
 3. NO OTHER POWER TRANSISTORS WILL FUNCTION PROPERLY, EXCEPT THOSE LISTED ON DRAWING.
 4. WHEN ORDERING REPLACEMENT PARTS SPECIFY VALUE OR PART NO. AS LISTED ON DRAWING.

LEAD POWER UNIT SPECIFICATIONS
 MODEL NO. L1500 CIRCUIT NO. 22370
 RMS OUTPUT: WITH LESS THAN 3X DISTORTION: 80 W @ 4 OHMS
 MINIMUM SPEAKER IMPEDANCE: 4 OHMS
 INPUT IMPEDANCE: 25K-100K OHMS
 INPUT SENSITIVITY: 30MV @ 1.5KHZ

VOLTAGE CHART
 LINE VOLTAGE: 120 VAC

A	+35 VDC
B	-35
C	+28
D	+20
E	+16
F	-21