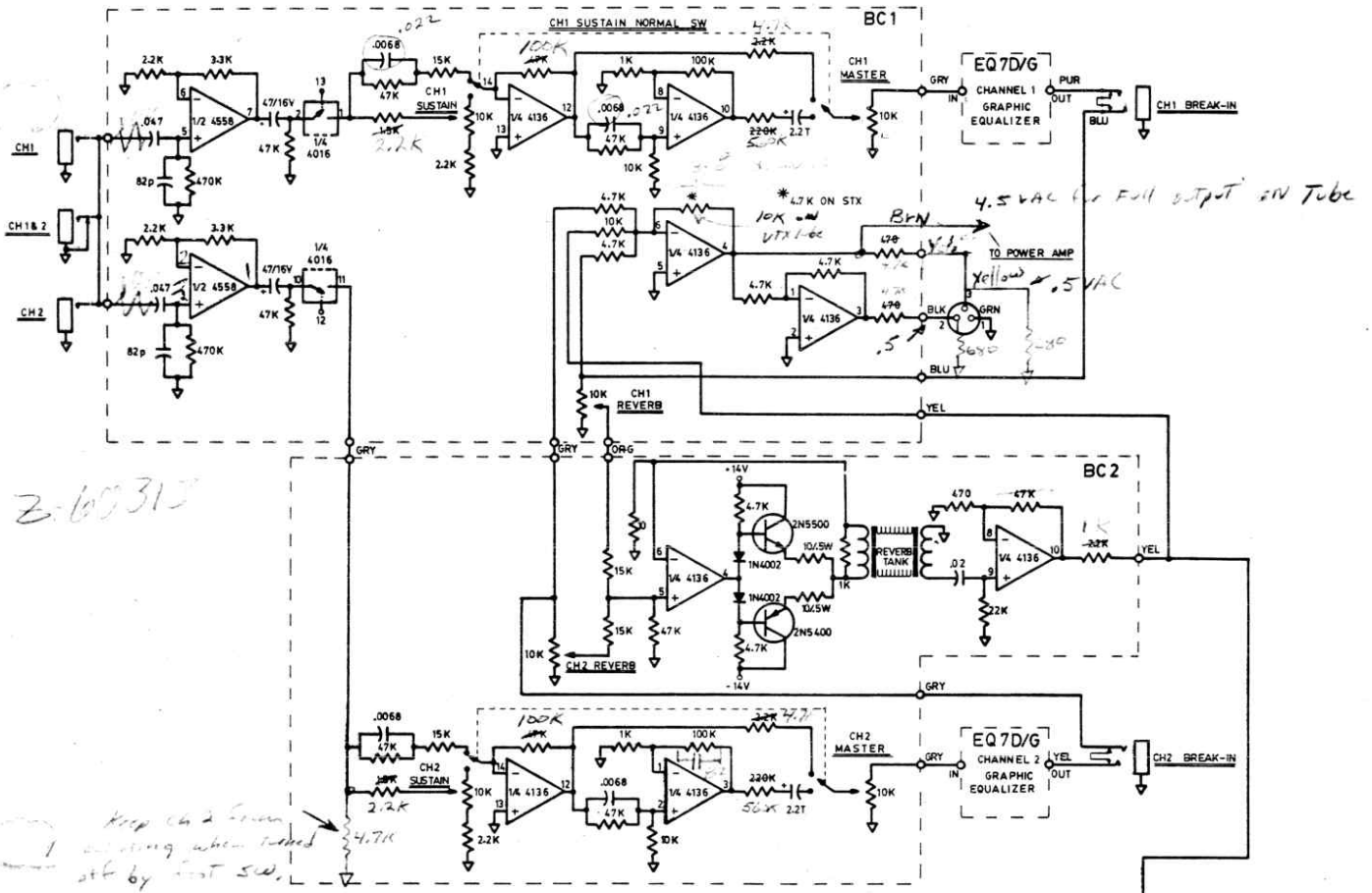
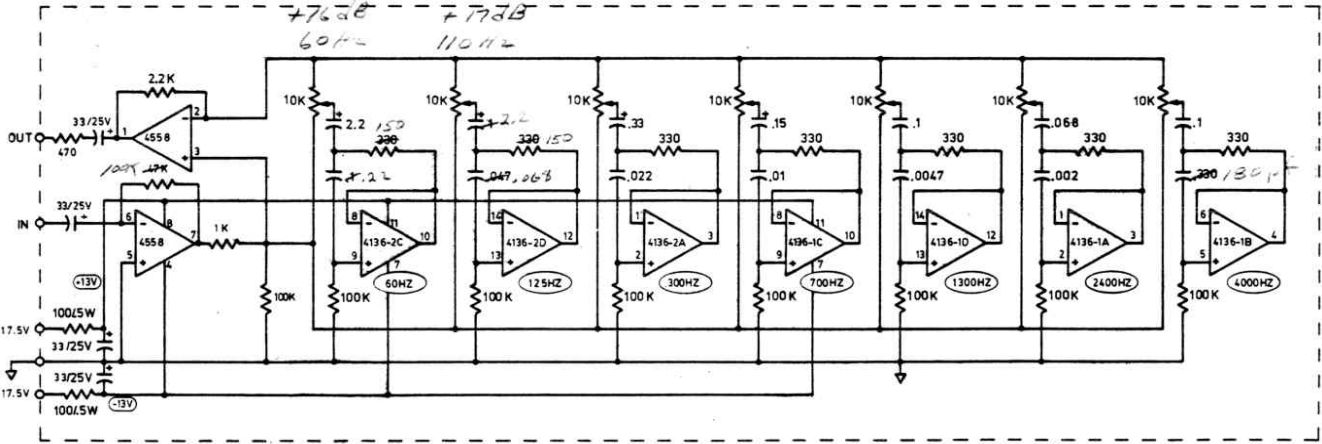
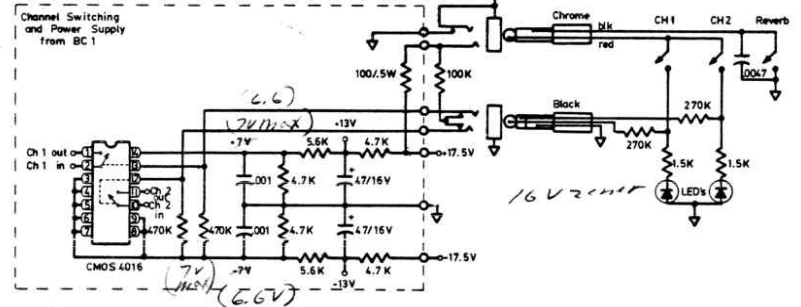


MODEL	PT	C	E ₁	E ₂
125W RMS	PT 1115D 64	4,000/50V	+44 VDC	-44 VDC
250W RMS	PT 11113 67	4,000/50V	+48 VDC	-48 VDC



CARVIN MFG CO
 DATE: 2/11/79
 DRAWN BY: W. Flarty
 BI-CHANNEL AMPLIFIER
 PREAMP BC1, BC2
 GRAPHICS EQ7D
 TUBE POWER AMP
 SOLID STATE POWERAMP
 REVISIONS:



LAST REV. 3-27-79