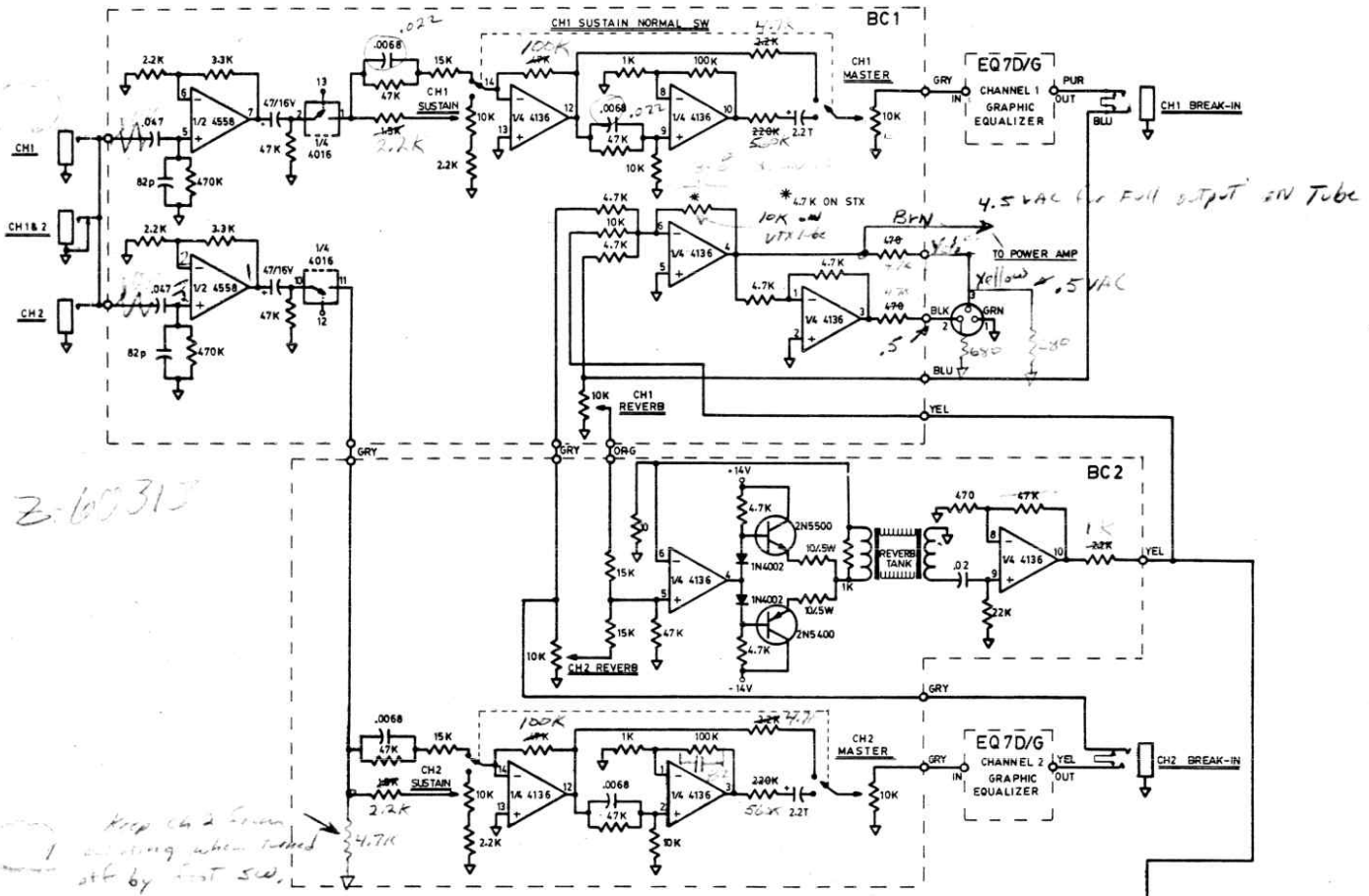


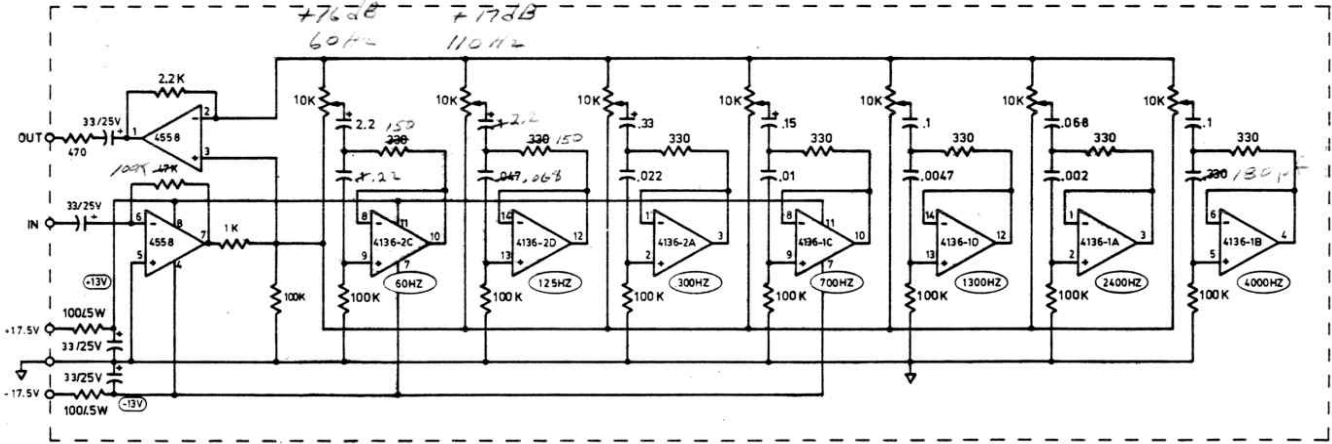
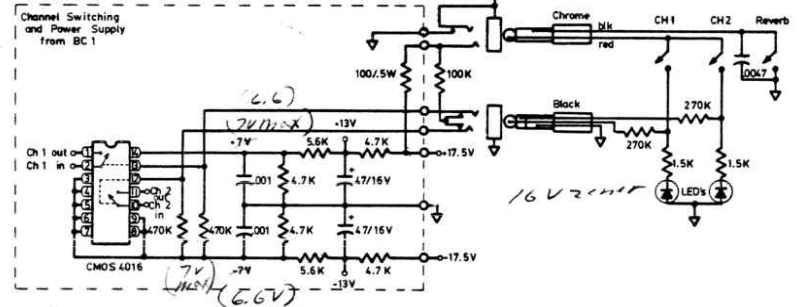
MODEL	PT	C	E <sub>1</sub>	E <sub>2</sub>
125W RMS	PT 1115D 64	4,000/50V	+44 VDC	-44 VDC
250W RMS	PT 11113 67	4,000/50V	+48 VDC	-48 VDC



Z-60313

Keep ch 2 from  
1. allowing when tested  
etc by test sw.

CARVIN MFG CO  
DATE: 2/11/79  
DRAWN BY: W. Flarty  
BI-CHANNEL AMPLIFIER  
PREAMP BC1, BC2  
GRAPHICS EQ7D  
TUBE POWER AMP  
SOLID STATE POWERAMP  
REVISIONS:



Last Rev. 3-27-79