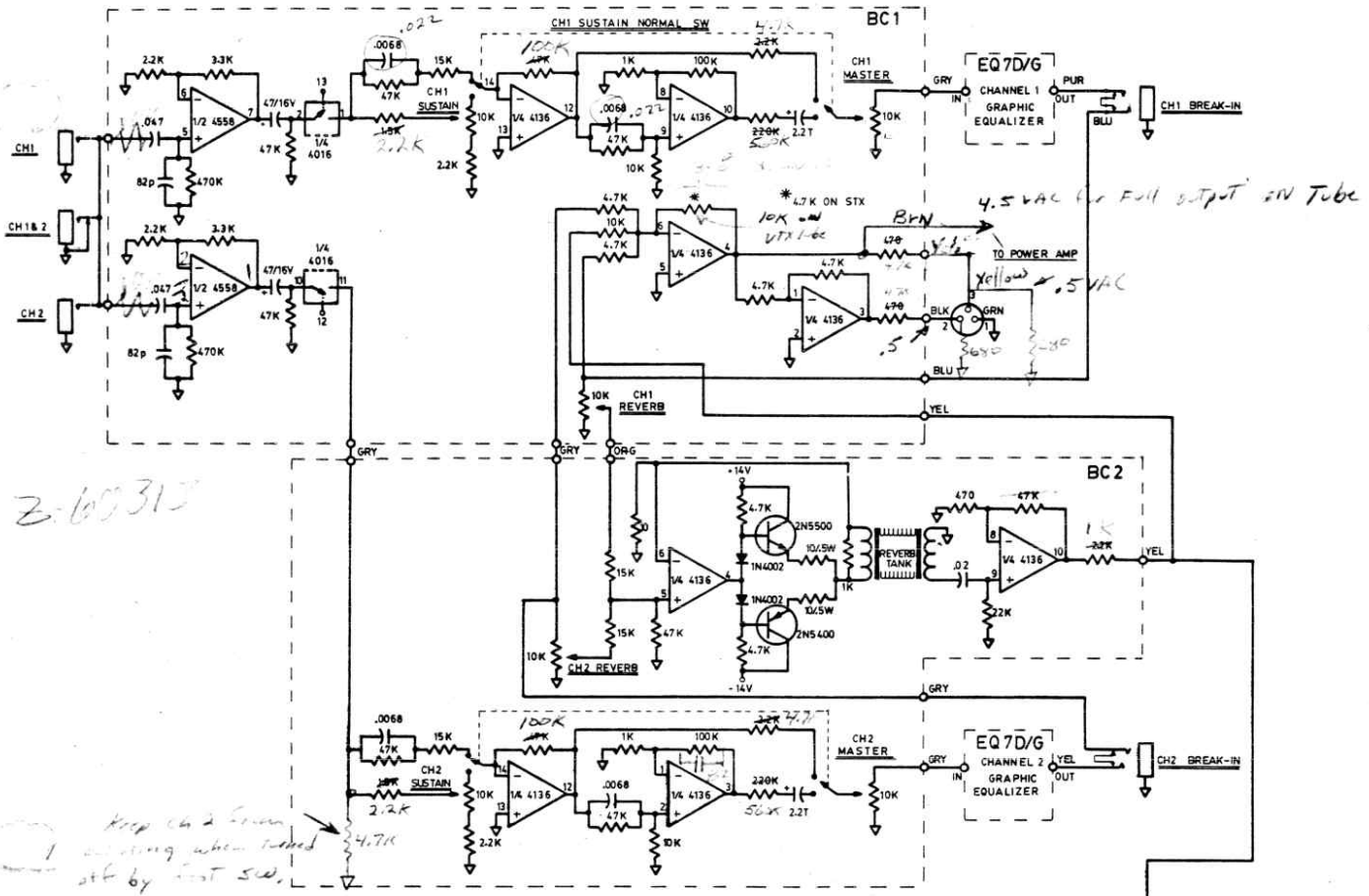


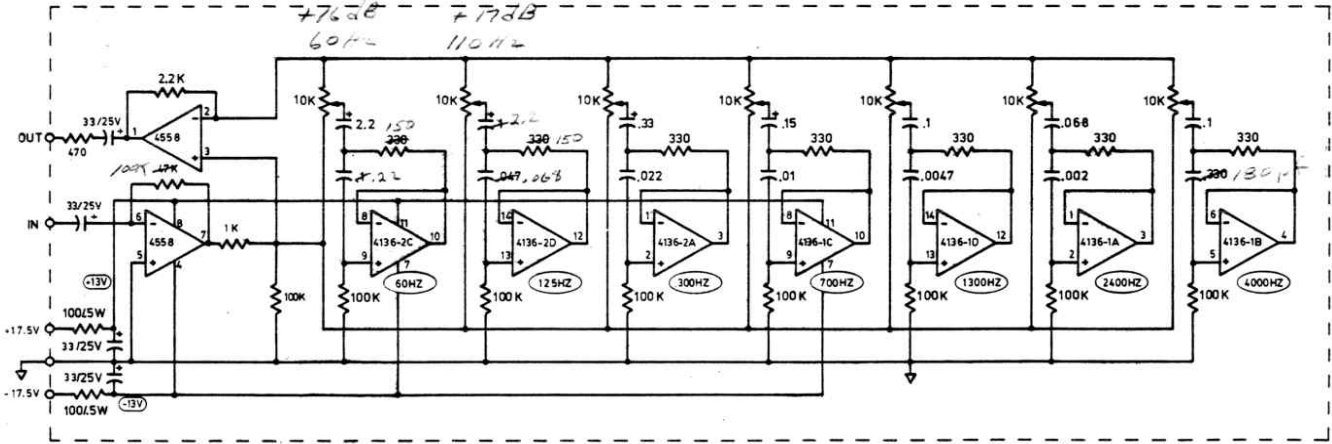
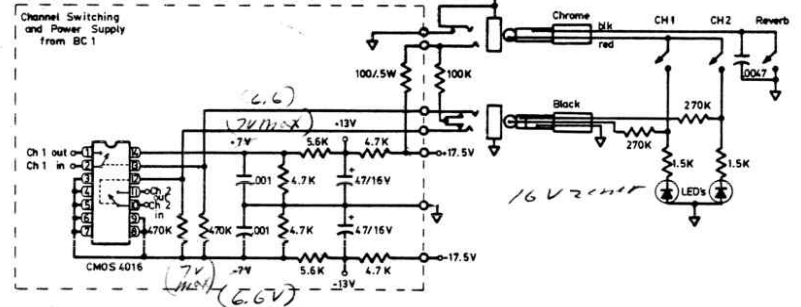
MODEL	PT	C	E ₁	E ₂
125W RMS	PT 1115D 64	4,000/50V	+44 VDC	-44 VDC
250W RMS	PT 11113 67	4,000/50V	+48 VDC	-48 VDC



Z-60313

Keep ch 2 from
1. allowing when tested
etc by test sw.

CARVIN MFG CO
DATE: 2/11/79
DRAWN BY: W. Flarty
BI-CHANNEL AMPLIFIER
PREAMP BC1, BC2
GRAPHICS EQ7D
TUBE POWER AMP
SOLID STATE POWERAMP
REVISIONS:



Last Rev. 3-27-79