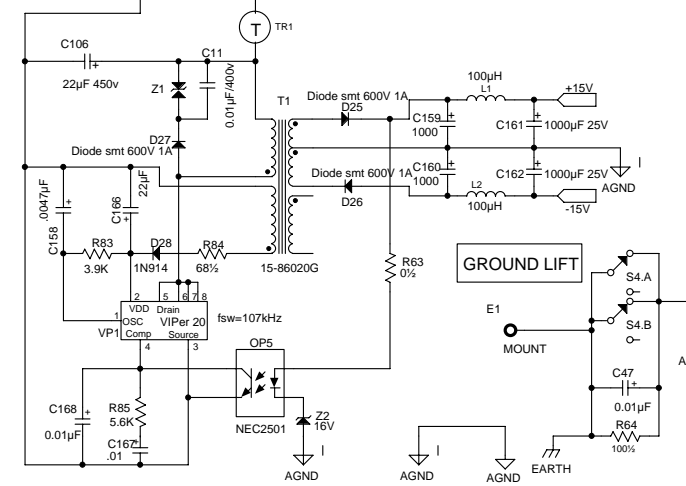


12340 World Trade Drive
San Diego, CA 92128
(858) 487-1600
FAX 487-6629

CARVIN

2-CHANNEL COMPRESSOR/GATE SYSTEM MASTER

DRAWN BY: M. OTAVKA	DATE: 9DEC02
APPROVED:	DATE:
PCB NO: 30-02200	REV: D
ASSY. NO: 80-02200	REV: D
REVISED BY:	DATE:



#1116 #1272



#1280 #798



ALTERNATE FRONT PANEL
SWITCH FOOTPRINTS

#967

