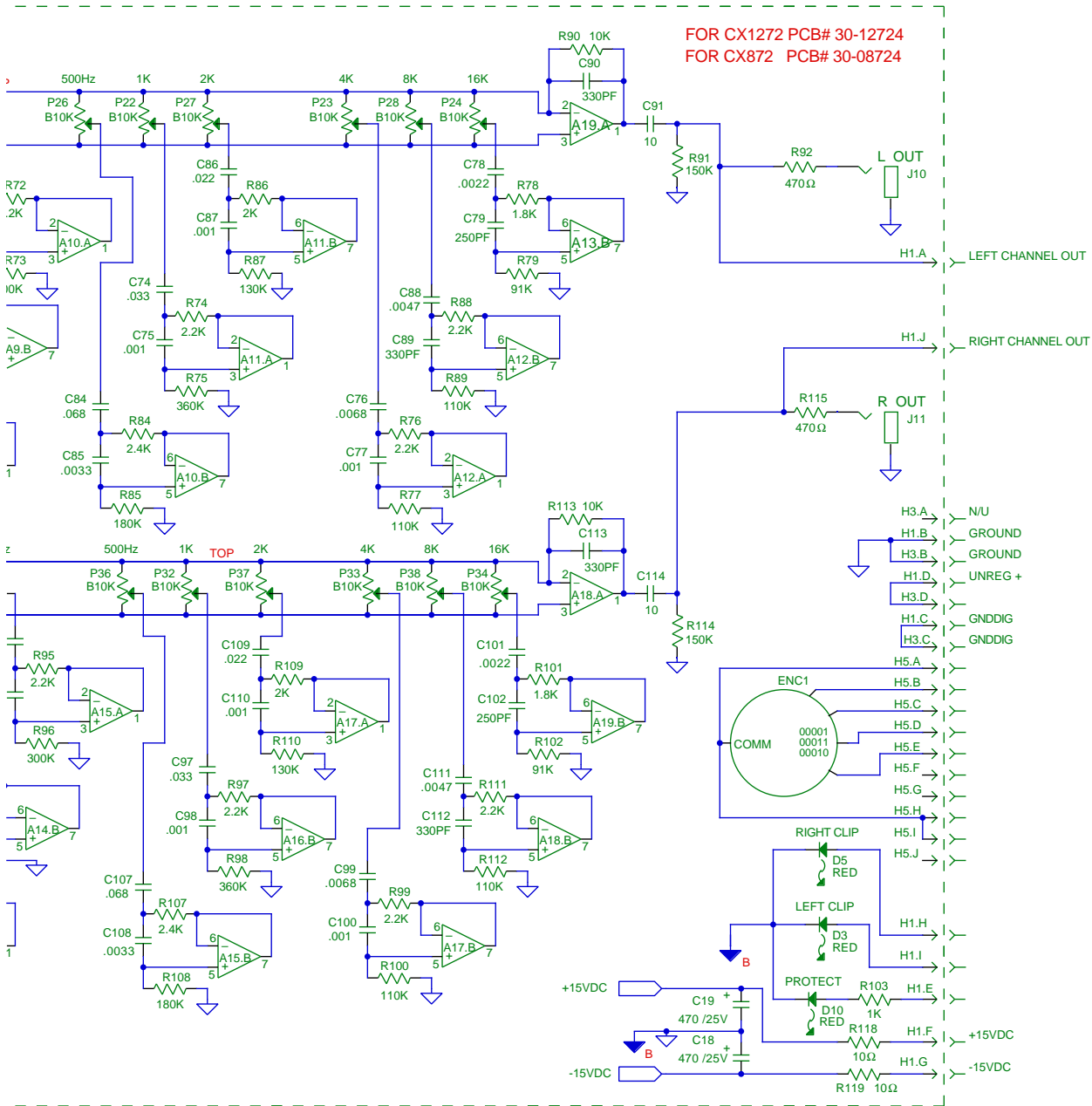


REVISIONS FROM Rev (C)
 PARTS ADDED: D8, D9, C22, C25,
 C26, C27, C28,
 R61, R118, R119, R121,
 R129, R149, R150

VALUE CHANGES: R12, R13, R14,
 R15, R17, R19, R62,
 C9, C10, C24

REVISIONS FROM Rev (D)
 MODIFIED FOR DSP 80-56004
 VALUE CHANGES: R31, R34, R41,
 R42, R129, R149,
 R150, C20



4. FOR RACK MOUNT UNITS; CUT RESISTORS: R29, R49, R121.
3. ALL DIODES ARE TYPE 1N4003, EXCEPT AS NOTED.
2. ALL CAPACITORS IN MICORFARADS, EXCEPT AS NOTED.
1. ALL RESISTORS IN OHMS

NOTES: UNLESS OTHERWISE SPECIFIED.



CARVIN		12340 WORLD TRADE DR. SAN DIEGO, CA 92128 (619) 487-1600 FAX 487-6629	
CX1272 & CX872 SYSTEM MASTER & CHANNELS			
DRAWN BY:	C. McEUEEN	DATE:	1DEC94
APPROVED:		DATE:	
PCB NO:	30-12724 30-08724	REV:	D E
ASSY. NO:	80-12724 80-08724	REV:	E E
REVISED BY:	C. McEUEEN	DATE:	13MAR98