

PCB Rev (C)
Assembly Revision History

- Changes from Rev (D):
- All 1/4" phone jacks to Rean type (6 PLCS).
- Changes from Rev (E):
- Fix routing on SPK1 and SPK2 from Ring to Tip

- ⚠️ 5. FLAME PROOF / FUSED PARTS.
- ADDED AS SECONDARY OPERATION ARE DENOTED *.
 - ALL OPEN GROUNDS ARE (A) EXEPT AS NOTED.
 - ALL CAPACITORS IN MICROFARADS, EXCEPT AS NOTED.
 - ALL RESISTORS ARE 1/4W, EXCEPT AS NOTED.

NOTES UNLESS OTHERWISE SPECIFIED.

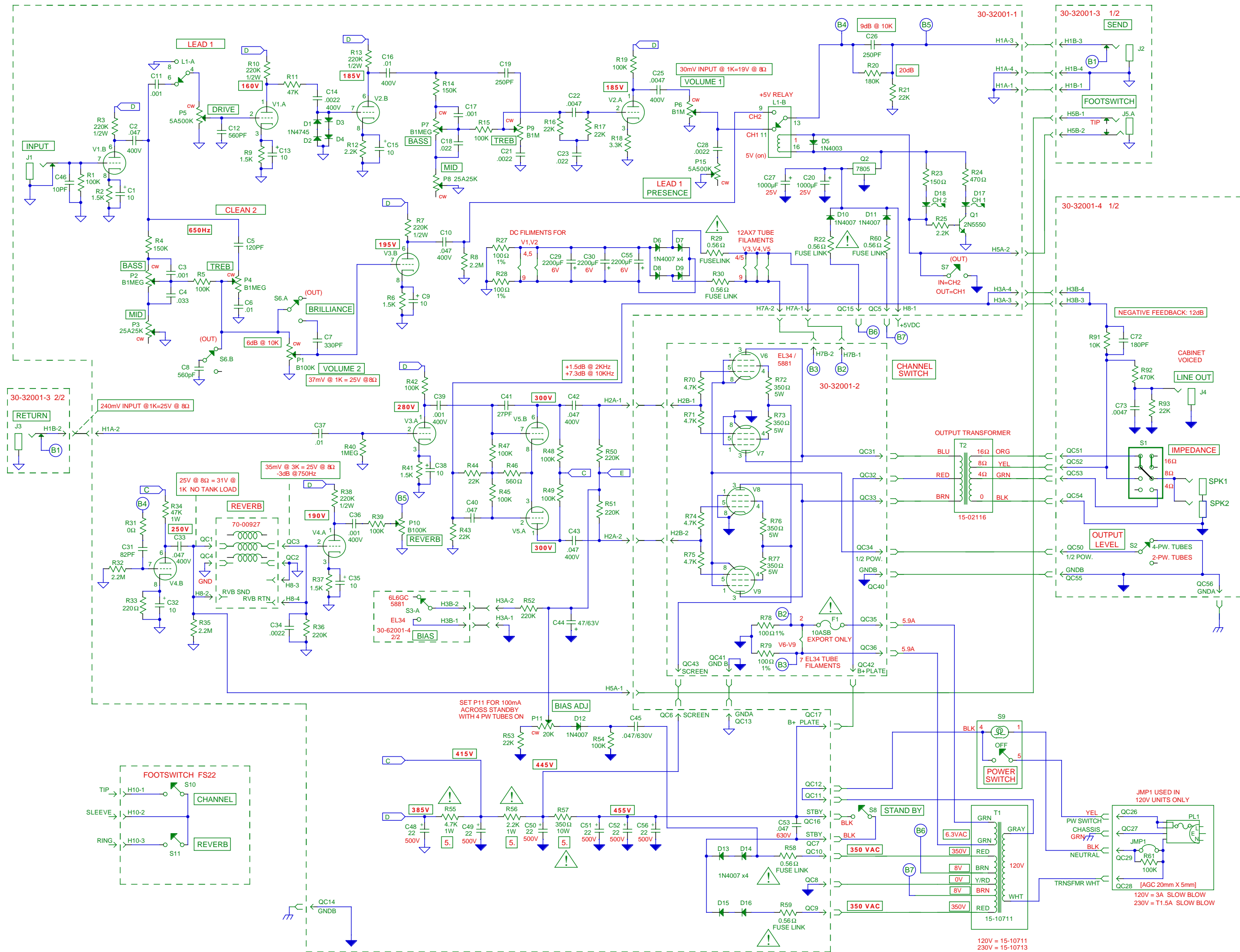
CARVIN 12340 World Trade Drive
 San Diego, CA 92128
 (619) 487-1600
 FAX 487-6629

**120V 3200 2 CHANNEL
 100W MASTER TUBE SERIES**

DRAWN BY:	C. McEUEEN	DATE:	5MAR96
APPROVED:		DATE:	
PCB NO:	30-32001	REV:	F
ASSY. NO:	80-32001	REV:	E
REVISED BY:	C. McEUEEN	DATE:	2FEB98

JMP1 USED IN 120V UNITS ONLY

120V = 3A SLOW BLOW
 230V = T1.5A SLOW BLOW



PCB Rev (C)
Assembly Revision History

- Changes from Rev (D):
- All 1/4" phone jacks to Rean type (6 PLCS).
- Changes from Rev (E):
- Fix routing on SPK1 and SPK2 from Ring to Tip

- ⚠️ 5. FLAME PROOF / FUSED PARTS.
 4. ADDED AS SECONDARY OPERATION ARE DENOTED *.
 3. ALL OPEN GROUNDS ARE (A) EXEPT AS NOTED.
 2. ALL CAPACITORS IN MICROFARADS, EXCEPT AS NOTED.
 1. ALL RESISTORS ARE 1/4W, EXCEPT AS NOTED.

NOTES UNLESS OTHERWISE SPECIFIED.

CARVIN 12340 World Trade Drive
 San Diego, CA 92128
 (619) 487-1600
 FAX 487-6629

**120V 3200 2 CHANNEL
 100W MASTER TUBE SERIES**

DRAWN BY:	C. McEUEEN	DATE:	5MAR96
APPROVED:		DATE:	
PCB NO:	30-32001	REV:	F
ASSY. NO:	80-32001	REV:	E
REVISED BY:	C. McEUEEN	DATE:	2FEB98

JMP1 USED IN 120V UNITS ONLY
 120V = 3A SLOW BLOW
 230V = T1.5A SLOW BLOW