

30-77503 2/2
RETURN
J3 H1B-3
H1A-3
B1

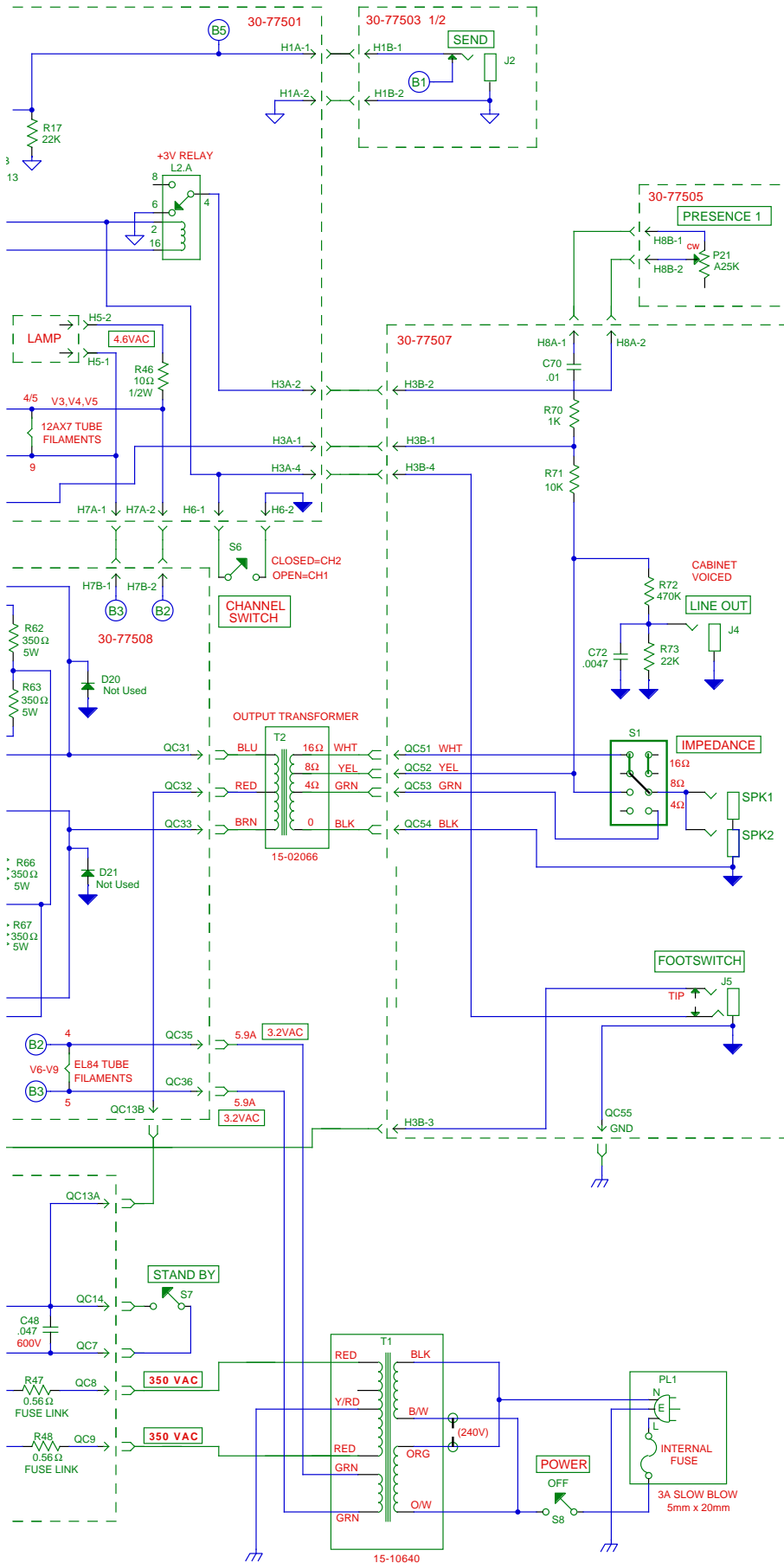
FOOTSWITCH FS22
RING H10-1
SLEEVE H10-2
TIP H10-3
CHANNEL
REVERB
S10
S11

C34 STOPS OSCILLATION
ON TOP WAVE WITH SPKR
LOAD.

SET P11 FOR 75mA
ACROSS STANDBY

S6 ON: 2.1 VDC
OFF: 9 VDC

DC FILMETS FOR
V1,V2



GAIN / OUTPUT			
FUNCTION	INPUT	FREQ.	SPEAKER OUTPUT TONE
CH1	8mV	1K	15VAC 8Ω ALL FULL
CH1	18mV	1K	40VAC 8Ω-EL34 ALL FULL
CH2	20mV	1K	52 VAC 8Ω - N/L ALL CENTER
CH2	.3mV	1K	DRIVE STARTS TO CLIP
REVERB REC.	18mV	1K	15VAC 8Ω NO LOAD -15dB @ 100 Hz
REVERB DRIVE	20mV	1K	WITH 15VAC 8Ω N/L -14.2dB @ 100Hz
CH1 HI FREQ RISE	(VOL1 @ 2)		ALL TONE FULL: 26dB
CH1 - VOL @ 2			26dB RISE FROM 1K TO 10K ALL TONE FULL 40dB RISE FROM 1K TO 10K MIDS OFF - BASS TREBLE FULL
CH1 PRESENCE			9.5dB @ 10K 2.2K IN SERIES WITH .01 FEEDBACK

Production Assembly Revision History

- (H1):
- Change H3 to a 4 pin Header ribbon.
 - All PCB wire to get Spade Connects.
 - Remove all unused parts.

- ADDED AS SECONDARY OPERATION.
- ALL OPEN GROUNDS ARE (A) EXCEPT AS NOTED.
- ALL DIODES ARE TYPE 1N4003, EXCEPT AS NOTED.
- ALL CAPACITORS IN MICROFARADS, EXCEPT AS NOTED.
- ALL RESISTORS ARE 1/4W, EXCEPT AS NOTED.

NOTES UNLESS OTHERWISE SPECIFIED.

PROBLEM	INSPECTION FOR	
BIAS SETS OK FOR POWER TUBES BUT CANT GET ANY SIGNAL FROM V5 TO V6-V9	H2A-1&2 H2B-1&2	SOLDER BRIDGE SOLDER BRIDGE
SQUARE WAVE OSCILLATOR AT SPKR OUT	H2B-1&2	PIN 1&2 REVERSED
NO AMP FEEDBACK - EXTREME GAIN	H3A-1 TO 4	PIN 1 REVERSED OR
SELECT SWITCH DOES NOT WORK- NO VOLTAGE ON RELAY	H3B- 1 TO 4	SOLDER BRIDGE

CARVIN 12340 WORLD TRADE DR.
SAN DIEGO, CA 92128
(619) 487-1600
FAX 487-6629

VINTAGE 50

ALL TUBE GUITAR AMP

DRAWN BY:	C. McEUEN	DATE:	2FEB94
APPROVED:		DATE:	
PCB NO.:	30-77501	REV.:	E1
ASSY. NO.:	80-77501	REV.:	H1
REVISED BY:	C. McEUEN	DATE:	5DEC97