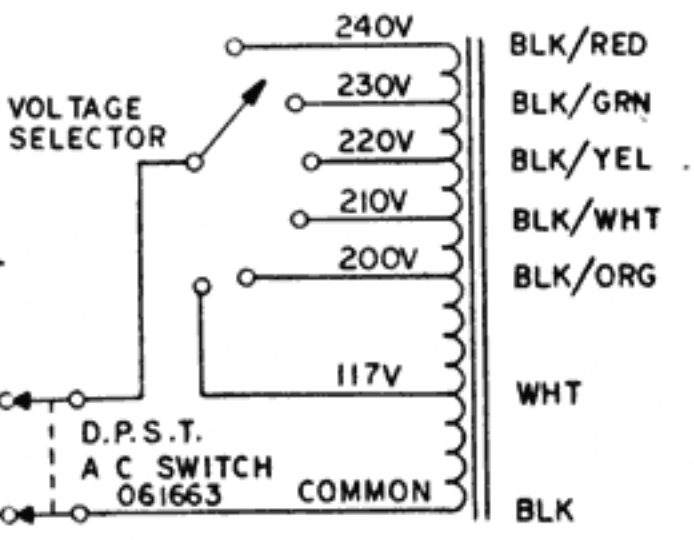


FENDER P/N	ON EXPORT MODEL
022764	TR1-125P34AX
022756	TR1-125P34A
022699	TR2-125CIA
022889	TR3-125A29A
022921	TR4-125A20A
010695	100MF 350V
020982	20MF 500V
003994	80MF 75V



NOTE: GROUND SWITCH, U.L. .047 125V DELETED.

- △ PART NO. 010870 USED IN SOME VERSIONS.
- 5. WITH ALL CONTROLS SET AT MAXIMUM, (XX MV) DENOTES, TYPICAL 400Hz SIGNAL REQUIRED FOR 10 WATTS OUTPUT AND FOR SUPPLYING 800 MV TO REVERB UNITS INPUT COIL
- (MV) DENOTES REVERB DRIVER SIGNAL, EXCLUSIVELY.
- 4. BASS AND TREBLE CONTROLS ARE P/NO21857.
- 3. FENDER P/N FOR CONTROLS INDICATED.
- 2. ALL CAPACITOR AT LEAST 600V, W.V.D.C.
- 1. ALL RESISTORS ARE 1/2 WATTS ± 10%.

SAMPLES OF FIRST ARTICLE PARTS MUST BE APPROVED BY CBS R(D) ENG. BEFORE STARTING PRODUCTION.

NOTES: UNLESS OTHERWISE SPECIFIED

FENDER MUSICAL INSTRUMENTS
 CBS MUSICAL INSTRUMENTS
 A DIVISION OF CBS INC.
 FULLERTON, CALIFORNIA
 U.S.A.

CBS MUSICAL INSTRUMENTS FULLERTON, CALIFORNIA	
DWG. TITLE — SCHEMATIC —	
100 WATTS RMS PUBLIC ADDRESS AMP WITH SEPARATE REVERB SWITCHES TUBE TYPE	
DWG. NO. 012234	REV —