

| REVISION RECORD | | | |
|-----------------|---------|-----------|-------|
| LTR | ECO NO: | APPROVED: | DATE: |
| | | | |
| | | | |

| | | | |
|------------------|--------|--------------|-------------|
| COMPANY: | | AM Group Ltd | |
| TITLE: | | AM8556CD-CD | |
| DRAWING: | DATED: | CODE: | DRAWING NO: |
| CHECKED: | DATED: | A3 | |
| QUALITY CONTROL: | DATED: | | REV: 1.0 |
| RELEASED: | DATED: | SCALE: | SHEET: OF |

CCE AS-64X (AM-8556PLL) □
Circuit Diagram

6

5

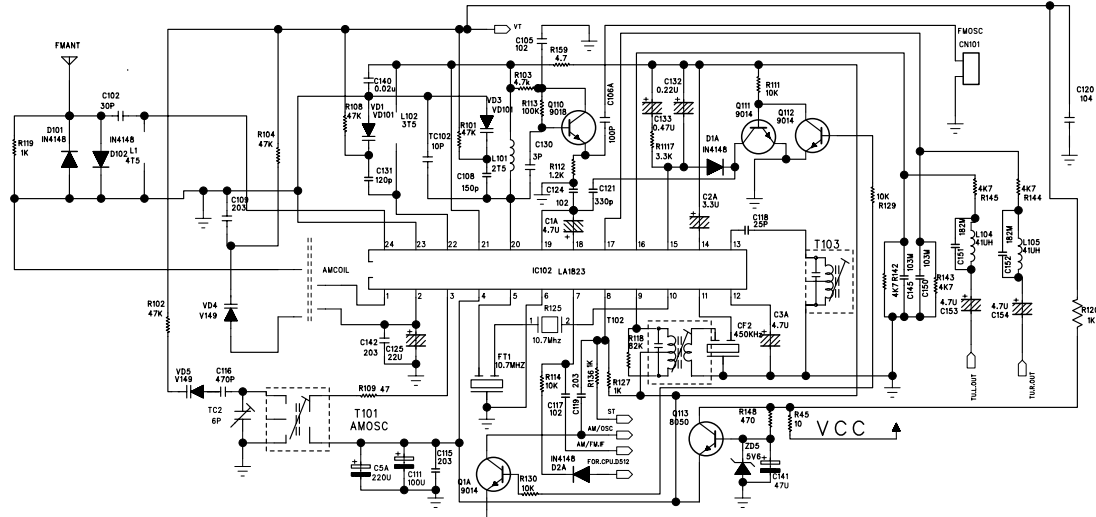
4

3

2

1

| REVISION RECORD | | | |
|-----------------|---------|-----------|-------|
| LTR | ECO NO. | APPROVED: | DATE: |
| | | | |
| | | | |
| | | | |



| BAND | B1 | B2 |
|------|----|----|
| FM | 1 | 0 |
| AM | 0 | 0 |

FM VT:1.6-6.7V

MW VT:1.7-6.7V

| | | | |
|------------------|---------------|-------------|-----------|
| COMPANY: | AMT Group Ltd | | |
| TITLE: | AM-8556RADIO | | |
| DRAWN: | DATED: | CODE: | SIZE: |
| CHECKED: | DATED: | DRAWING NO: | REV: |
| QUALITY CONTROL: | DATED: | SCALE: | SHEET: OF |
| RELEASED: | DATED: | | |

| | |
|------------------|--------|
| DRAWN: | DATED: |
| CHECKED: | DATED: |
| QUALITY CONTROL: | DATED: |
| RELEASED: | DATED: |

D

C

B

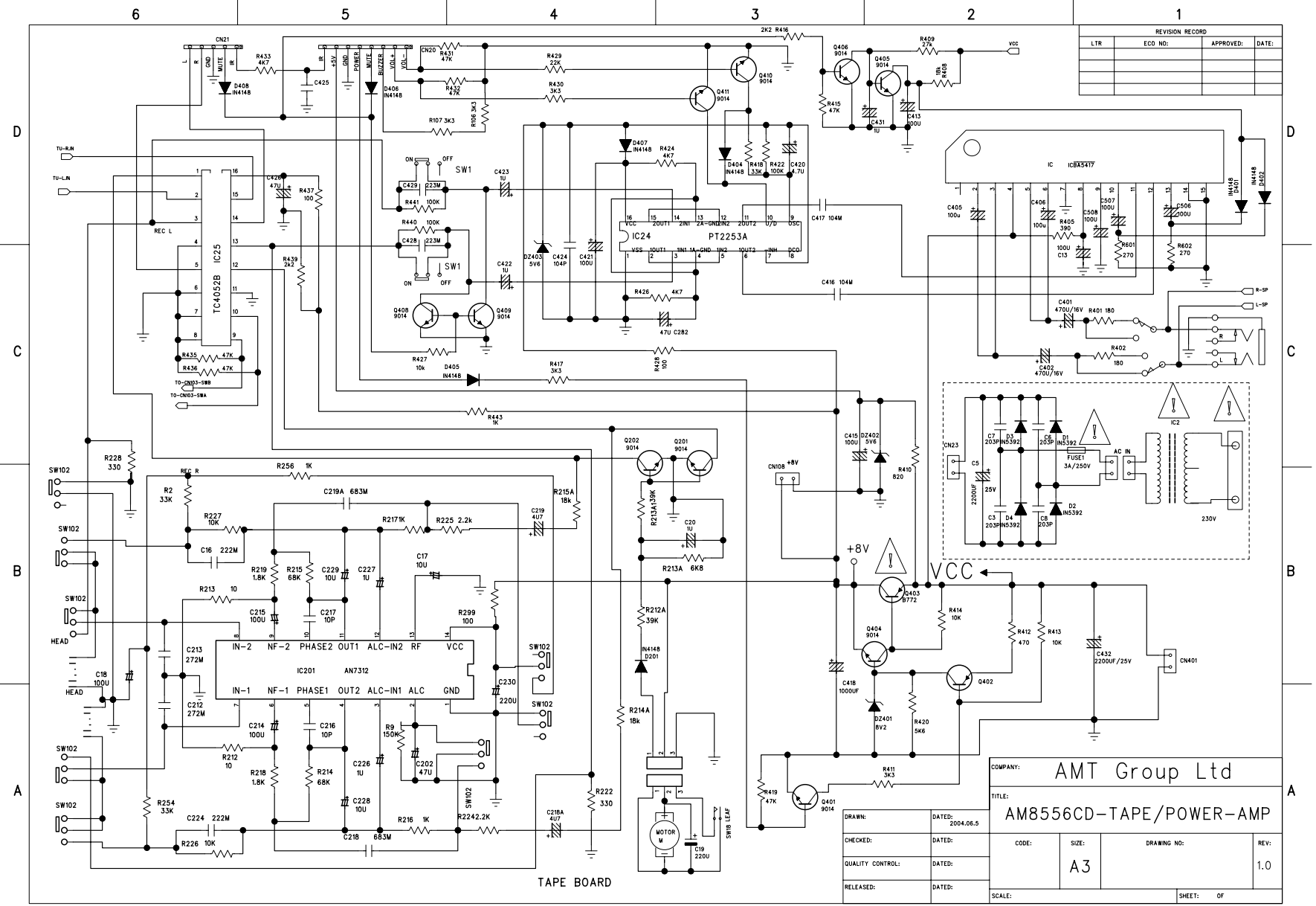
A

D

C

B

A



| REVISION RECORD | | | |
|-----------------|---------|-----------|-------|
| LTR | ECO NO: | APPROVED: | DATE: |
| | | | |
| | | | |
| | | | |

COMPANY: AMT Group Ltd

TITLE: AM8556CD-TAPE/POWER-AMP

| | | | | | |
|-----------|------------------|------------------|----------|-------------|----------|
| DRAWN: | DATED: 2004.06.5 | CODE: | SIZE: A3 | DRAWING NO: | REV: 1.0 |
| CHECKED: | DATED: | QUALITY CONTROL: | DATED: | SHEET: OF | |
| RELEASED: | DATED: | | | | |

TAPE BOARD

| REVISION RECORD | | | |
|-----------------|---------|-----------|-------|
| LTR | ECD NO: | APPROVED: | DATE: |
| | | | |
| | | | |

D

D

C

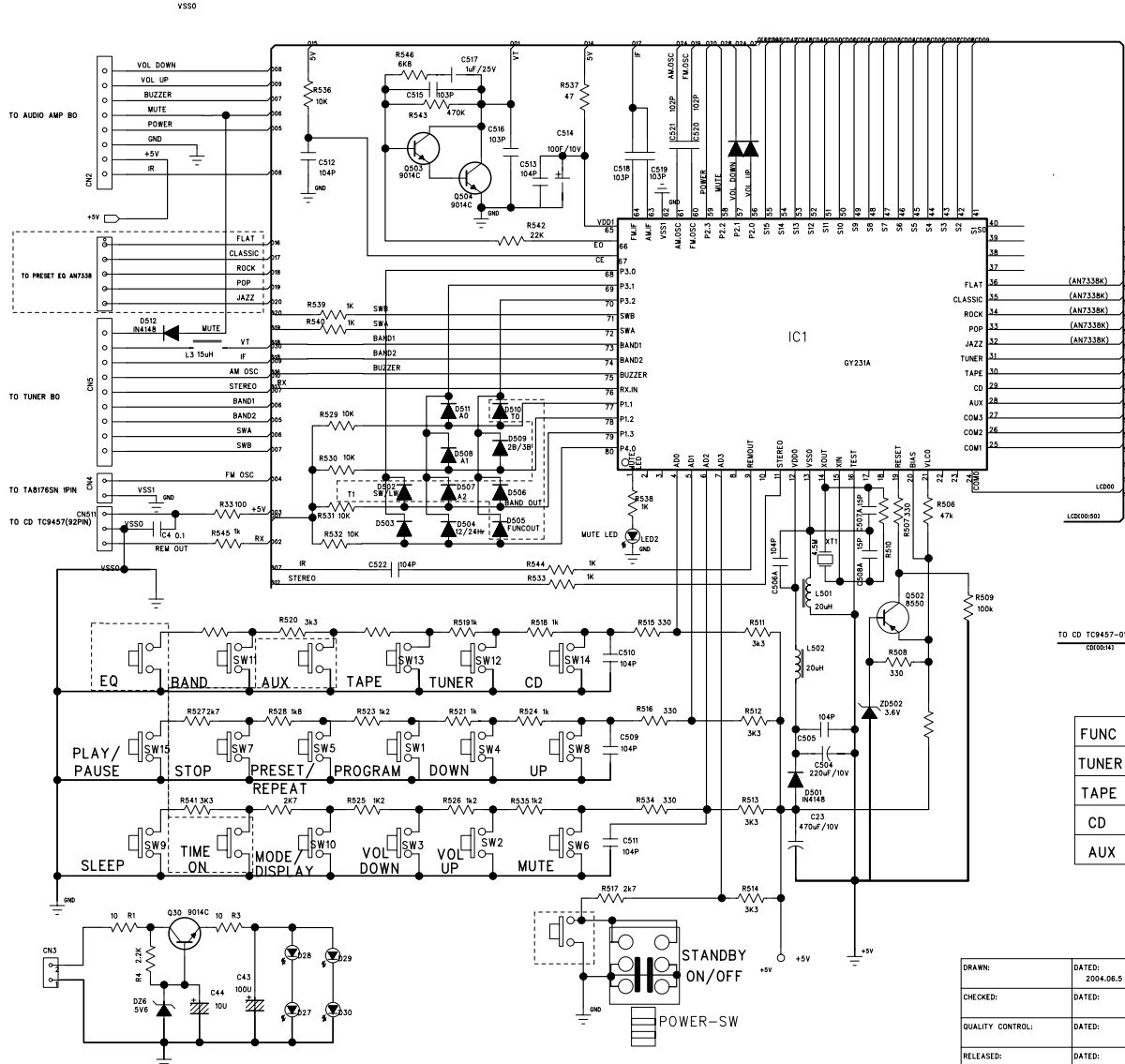
C

B

B

A

A



TUNER AND CD DISPLAY LCD

| | | |
|-------|-------------|----|
| CD01 | COM0 | 1 |
| CD02 | COM1 | 2 |
| CD03 | COM2 | 3 |
| CD04 | COM3 | 4 |
| CD05 | S1 | 5 |
| CD06 | S2 | 6 |
| CD07 | S3 | 7 |
| CD08 | S4 | 8 |
| CD09 | S5 | 9 |
| CD10 | S6 | 10 |
| CD11 | S7 | 11 |
| CD12 | S8 | 12 |
| CD13 | S9 | 13 |
| CD14 | S10 | 14 |
| CD15 | S11 | 15 |
| CD16 | S12 | 16 |
| CD17 | S13 | 17 |
| CD18 | S14 | 18 |
| CD19 | S15 | 19 |
| CD00H | S1(4PIN) | 20 |
| CD00L | S1(4PIN) | 21 |
| CD01 | S3(10PIN) | 22 |
| CD02 | S2(2PIN) | 23 |
| CD03 | S1(9PIN) | 24 |
| CD04 | COM1(9PIN) | 25 |
| CD05 | COM2(9PIN) | 26 |
| CD06 | COM3(9PIN) | 27 |
| CD07 | COM4(10PIN) | 28 |

| FUNC | SWA | SWB |
|-------|-----|-----|
| TUNER | 0 | 1 |
| TAPE | 0 | 0 |
| CD | 1 | 0 |
| AUX | 1 | 1 |

| BAND | B1 | B2 |
|-------|----|----|
| FM | 1 | 0 |
| AM | 0 | 0 |
| LW/SW | 0 | 1 |

COMPANY: AMT Group Ltd

TITLE: AM8556CD-DISPLAY

| | | | | | |
|----------|------------------|-----------|----------|-------------|---------------|
| DRAWN: | DATED: 2004.06.5 | CODE: | SIZE: A3 | DRAWING NO: | REV: 1.0 |
| CHECKED: | DATED: | RELEASED: | DATED: | SCALE: | SHEET: 1 OF 1 |

6

5

4

3

2

1

| REVISION RECORD | | | |
|-----------------|---------|-----------|-------|
| LTR | ECO NO: | APPROVED: | DATE: |
| | | | |
| | | | |
| | | | |

D

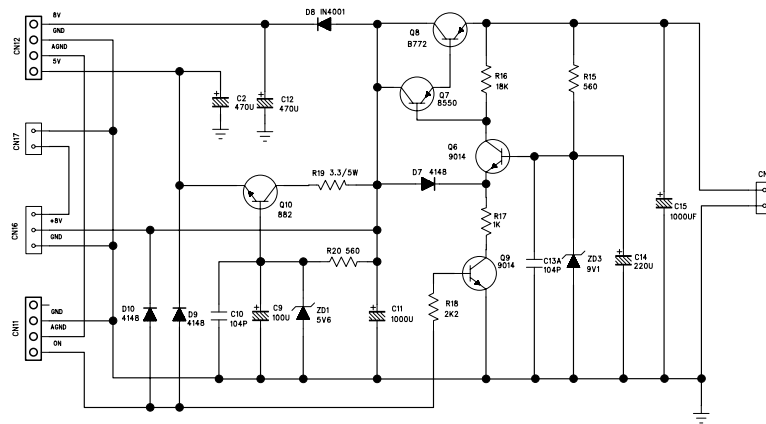
D

C

C

B

B



A

A

| | | | |
|------------------------|------------------|-------------|-----------|
| COMPANY: AMT Group Ltd | | | |
| TITLE: AM8556 | | | |
| DRAWN: | DATED: 2004-08-5 | CODE: | SIZE: |
| CHECKED: | DATED: | DRAWING NO: | |
| QUALITY CONTROL: | DATED: | REV: | |
| RELEASED: | DATED: | SCALE: | SHEET: OF |