

LEADERWAVE ELECTRONIC (H.K.) LTD.

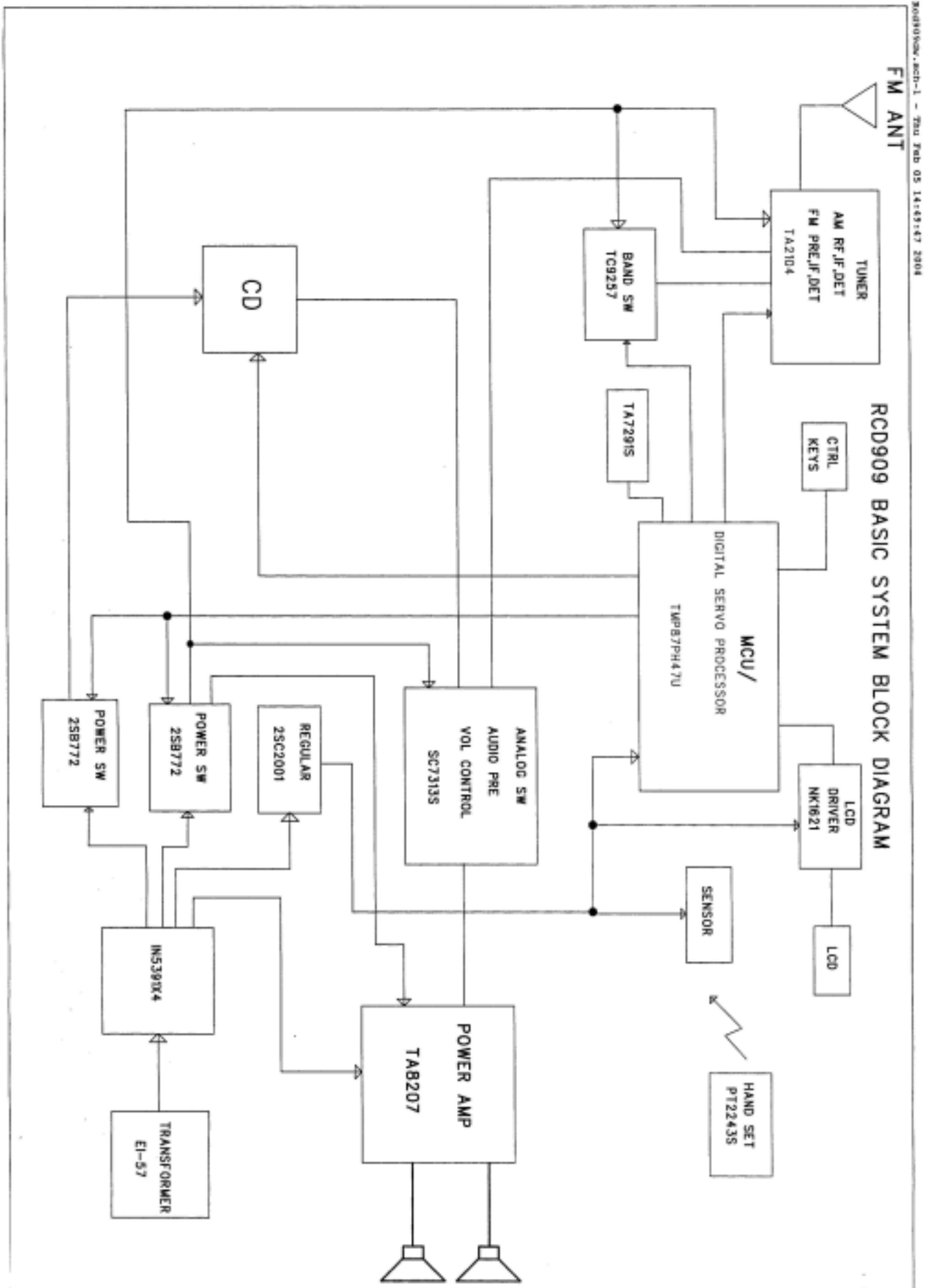
Model No.:RCD-909

TITLE: BLOCK DIAGRAM

Revision No.: 0

Base Model: Nil

Revision Date: 2004-5-25



LEADERWAVE ELECTRONIC (H.K.) LTD.

Model No.:RCD-909

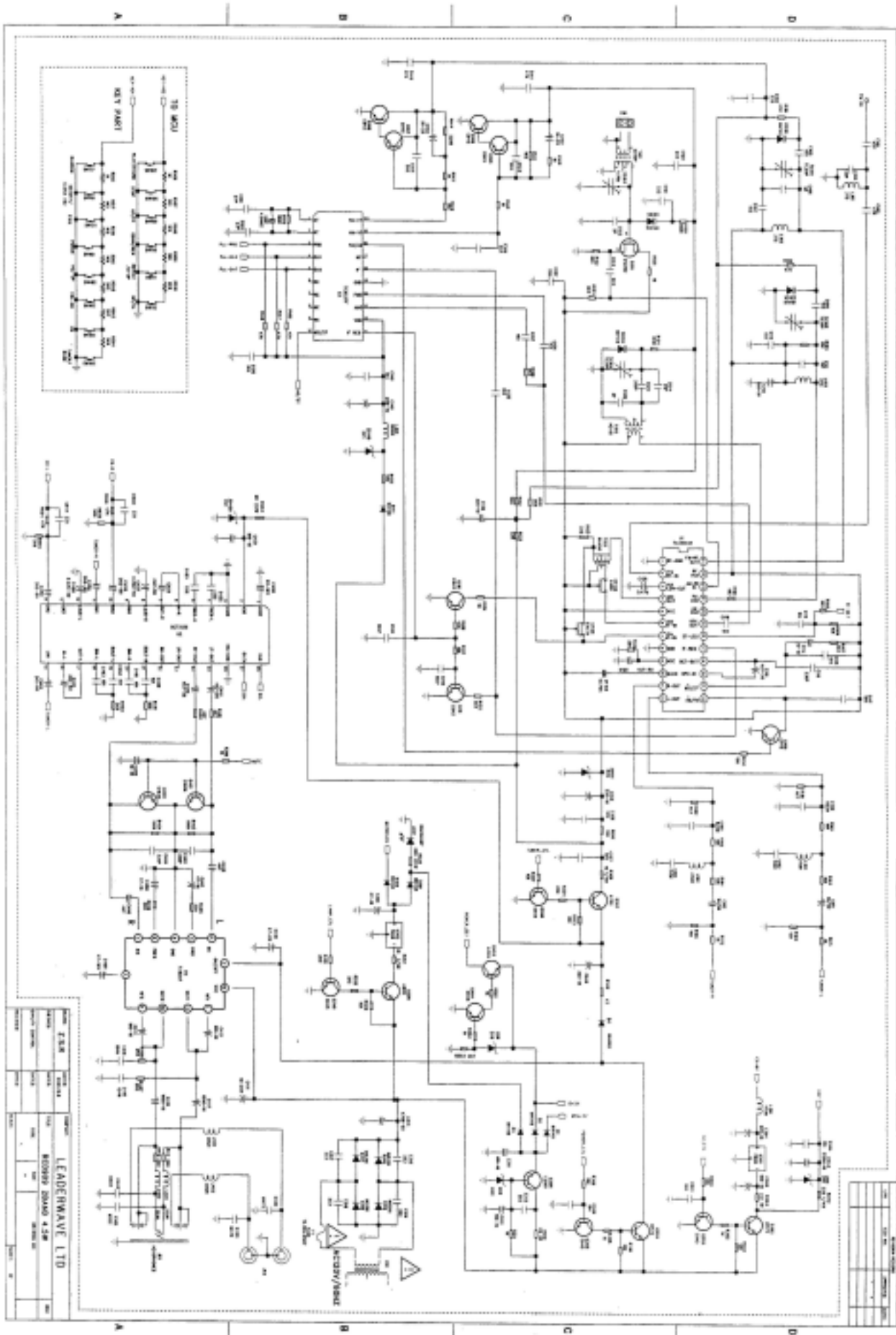
TITLE: PRINCIPLE DIAGRAM

Revision No.: 0

Base Model: Nil

Revision Date: 2004-5-25

RCD909-001-1 - THE PRO-55 11/20/04 2004



DATE	2004.5.25	DESIGNER	LEADERWAVE LTD
NO.	001	CHKD BY	
REV.		DATE	
RCD909-001-1			

LEADERWAVE ELECTRONIC (H.K.) LTD.

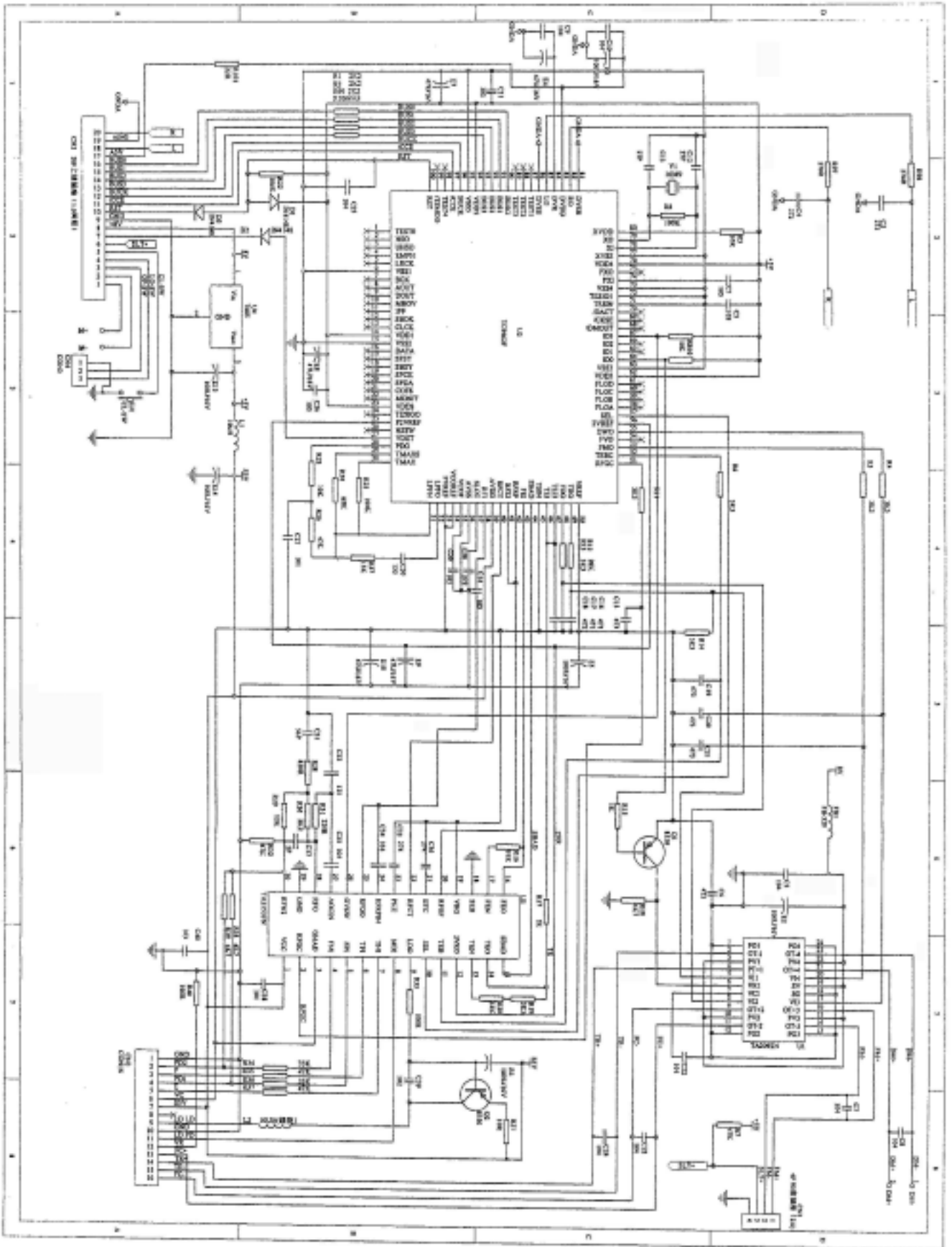
Model No.:RCD-909

TITLE: PRINCIPLE DIAGRAM

Revision No.: 0

Base Model: Nil

Revision Date: 2004-5-25



LEADERWAVE ELECTRONIC (H.K.) LTD.

Model No.:RCD-909

TITLE: PRINCIPLE DIAGRAM

Revision No.: 0

Base Model: Nil

Revision Date: 2004-5-25

