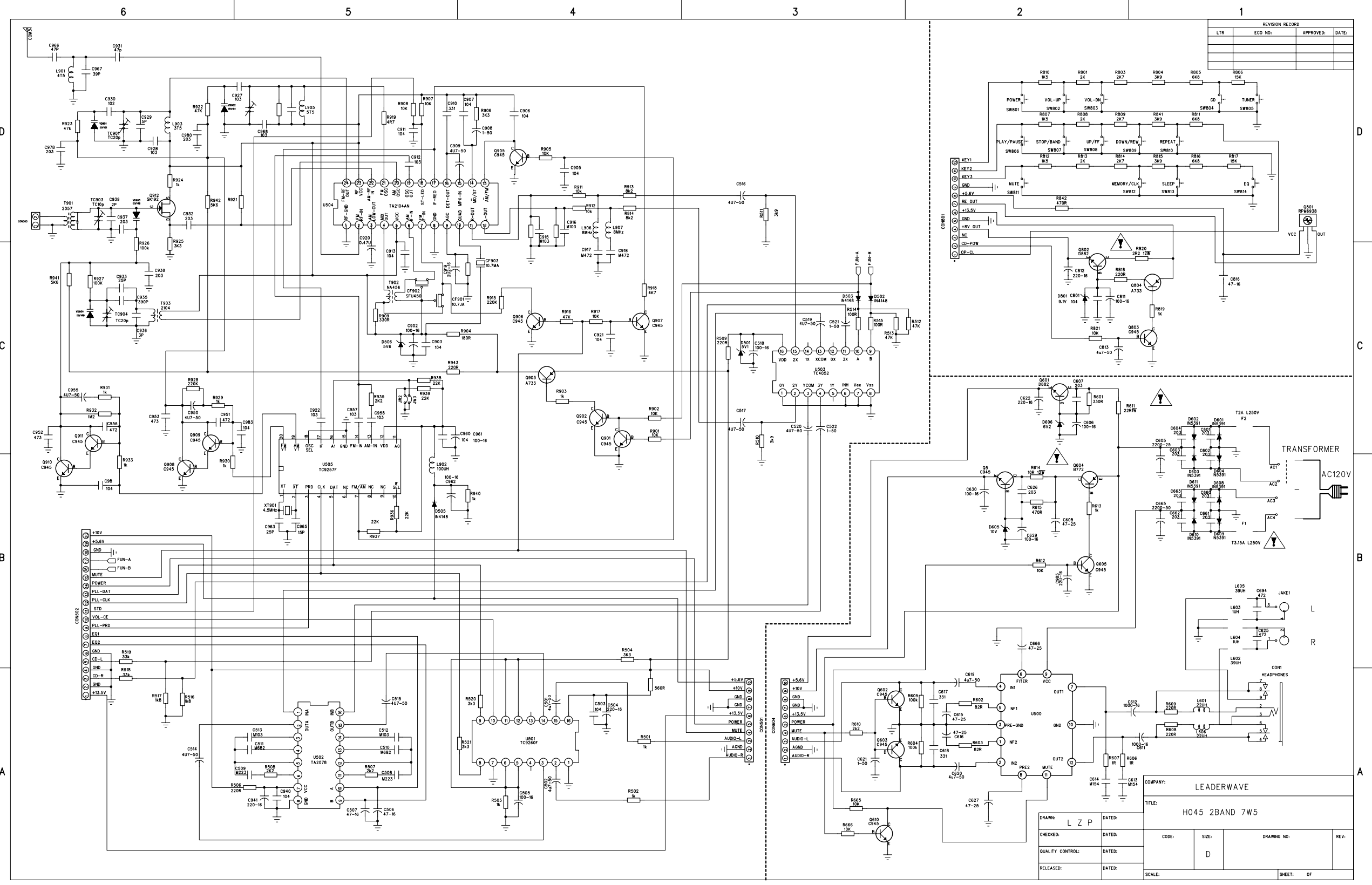


REVISION RECORD			
LTR	ECO NO:	APPROVED:	DATE:

COMPANY:		LEADERWAVE LTD	
TITLE:		H045PCD	
CODE:	SIZE:	DRAWING NO:	REV:
	A3		
SCALE:	SHEET:		OF

DRAWN:	DATED:
L Z P	
CHECKED:	DATED:
QUALITY CONTROL:	DATED:
RELEASED:	DATED:



REVISION RECORD			
LTR	ECO NO:	APPROVED:	DATE:

COMPANY: LEADERWAVE			
TITLE: H045 2BAND 7W5			
DRAWN: L Z P	DATED:	CODE: D	DRAWING NO:
CHECKED:	DATED:	SIZE:	REV:
QUALITY CONTROL:	DATED:	SCALE:	SHEET: OF
RELEASED:	DATED:		