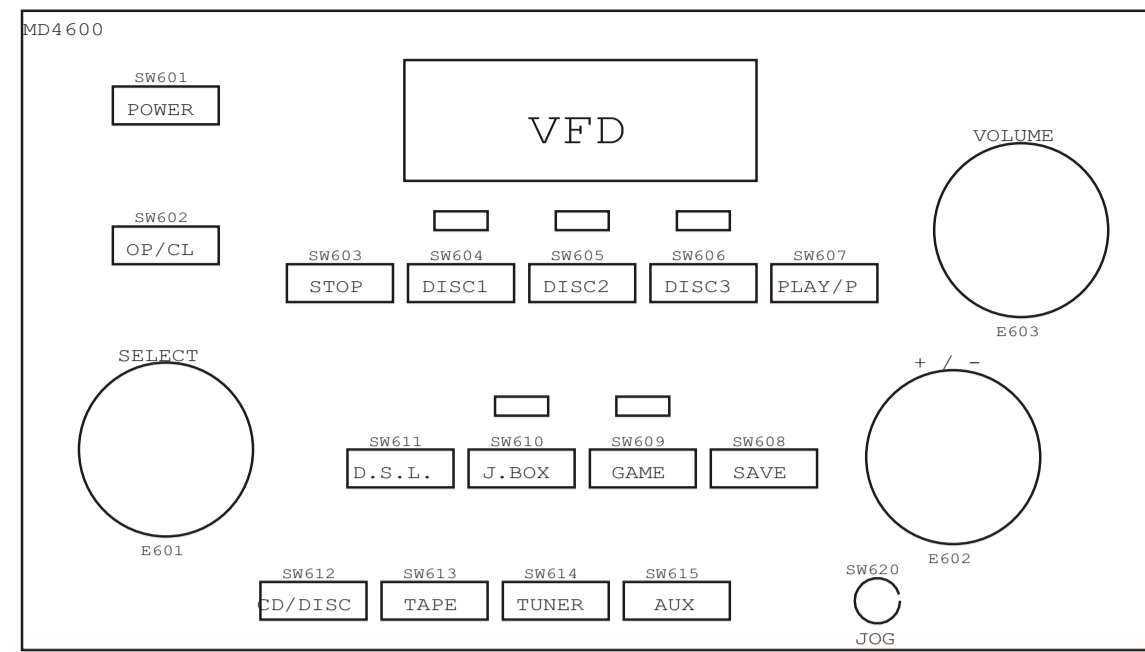
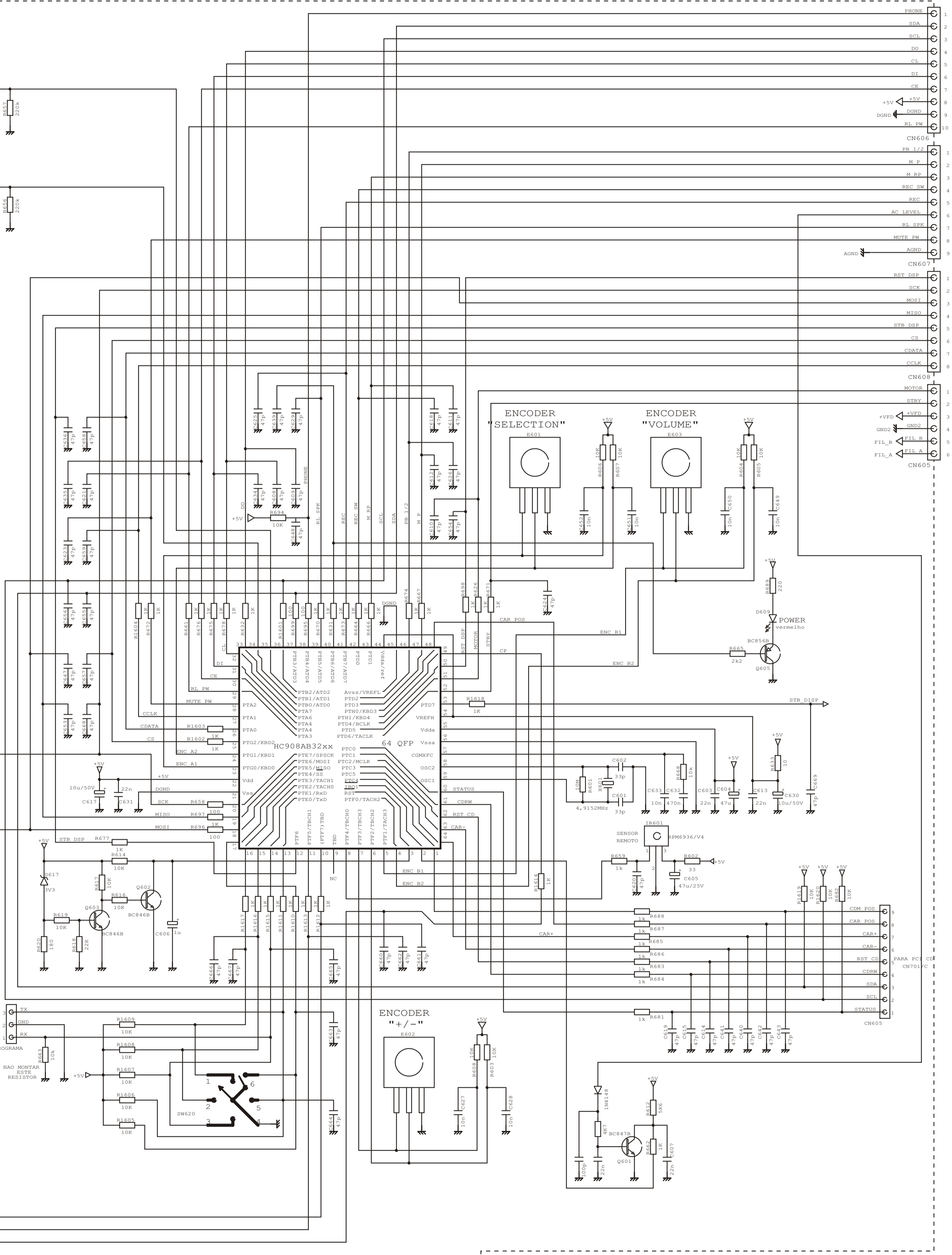
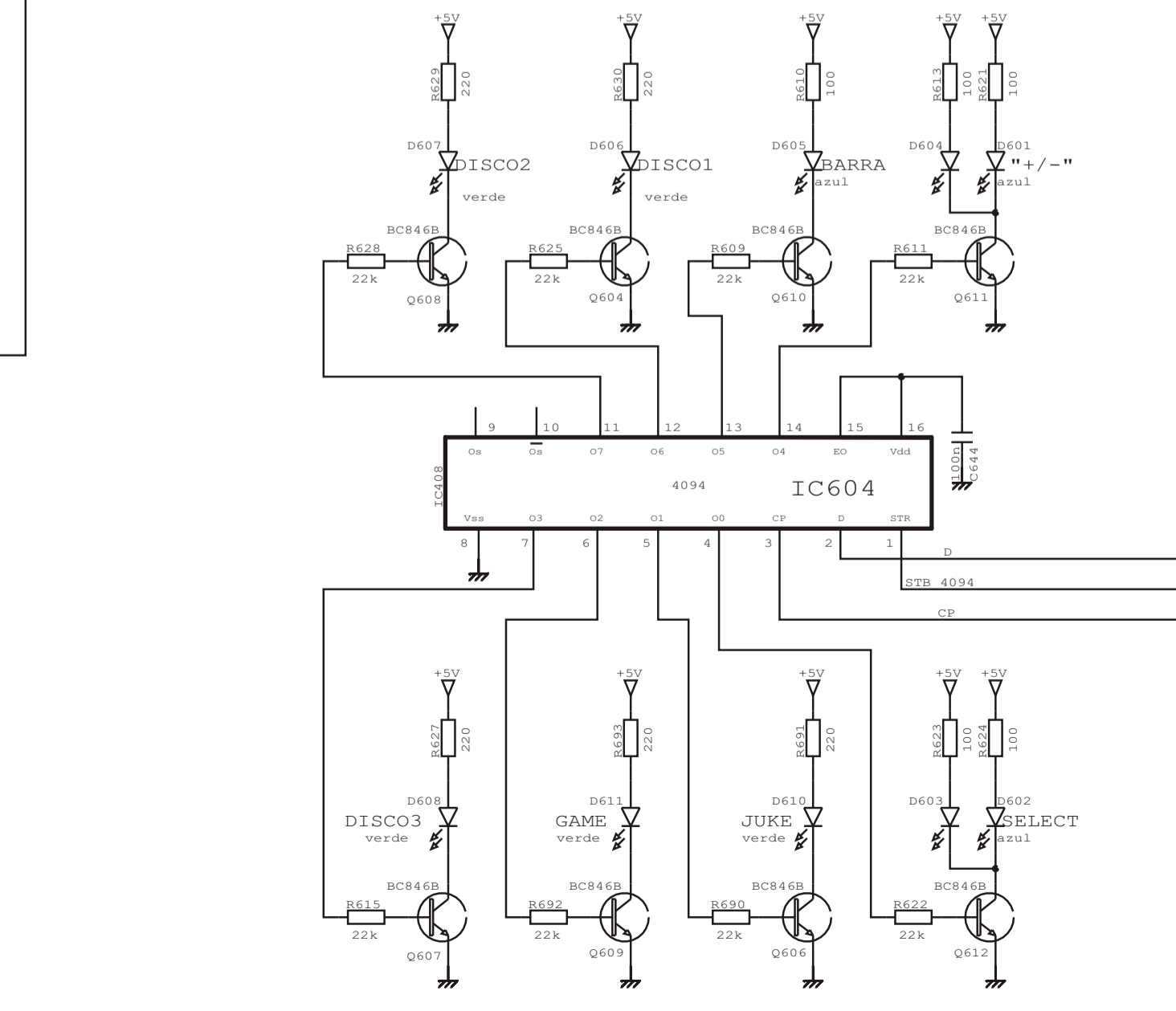
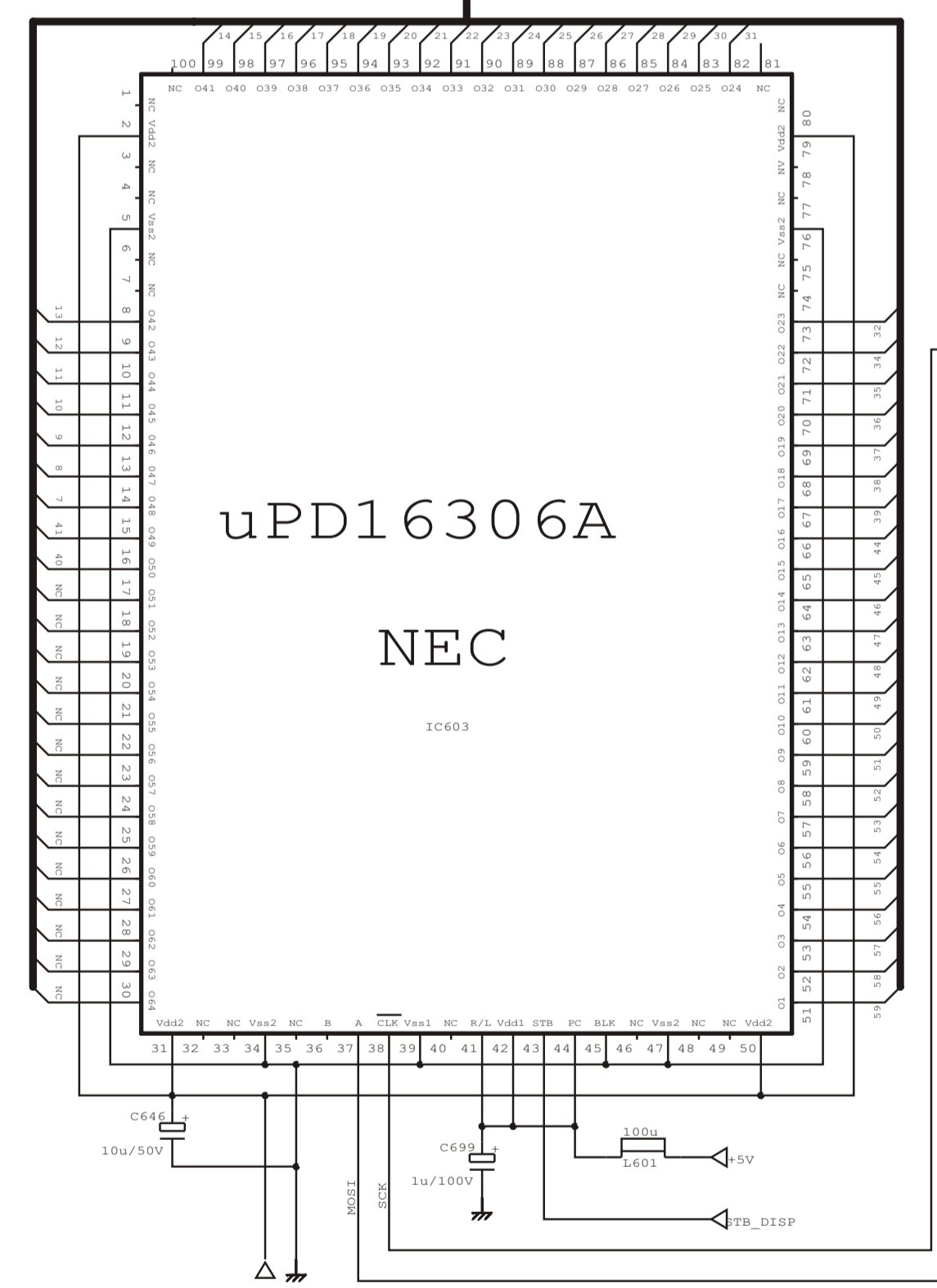
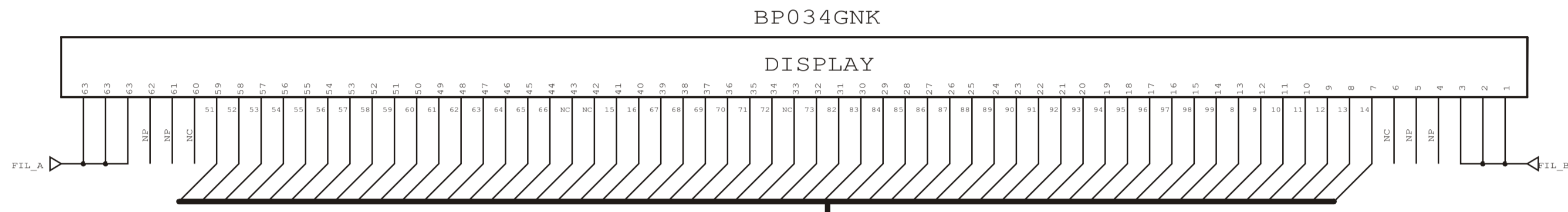
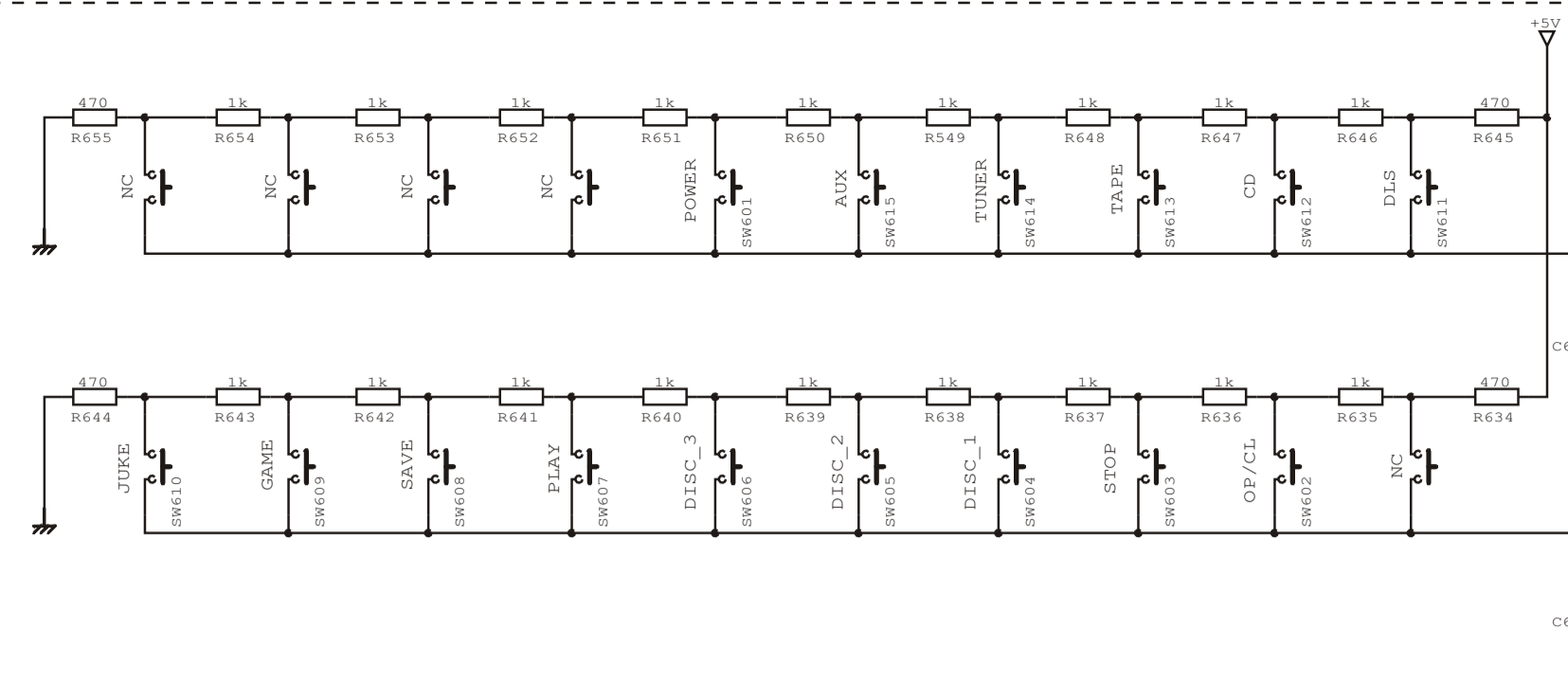


D		C517, C518 E C520 ERA 100n		THIAGO	16/07/01
C		D516 ERA 1N4004		THIAGO	23/04/01
B		R515 ERA 4871W 7 ALTERACAO DO TFS01			
B		INCLUSAO DOS DIODOS D511,512,513,514,515,516 1N4004			
B		INCLUSAO DO CAPACITOR C523 1000uF/16V / INCLUSAO DA SERIE D		THIAGO	26/03/01
A		EXCLUSAO DOS RESISTORES R503,505 (8K2) / R504,R506 ERA 1K		THIAGO	12/02/01
A		INCLUSAO DAS SERIES MD4600B/C			
ALT. P.A.		DISCRIMINAÇÃO		VISTO	DATA
		TITULO: ESQUEMA ELETRICO		PROJEÇÃO	
		PCI LATERAL/FONTE		dimensões em mm	
DES.	ROBERTO	DATA	18/10/00	MAT.	ACAB.
PROJ.		ESC.		TOL.Ø	TOL.
APRO.	THIAGO	31/10/00	MOD.	MD4600B/C/D	COD. 1.00.52172.04



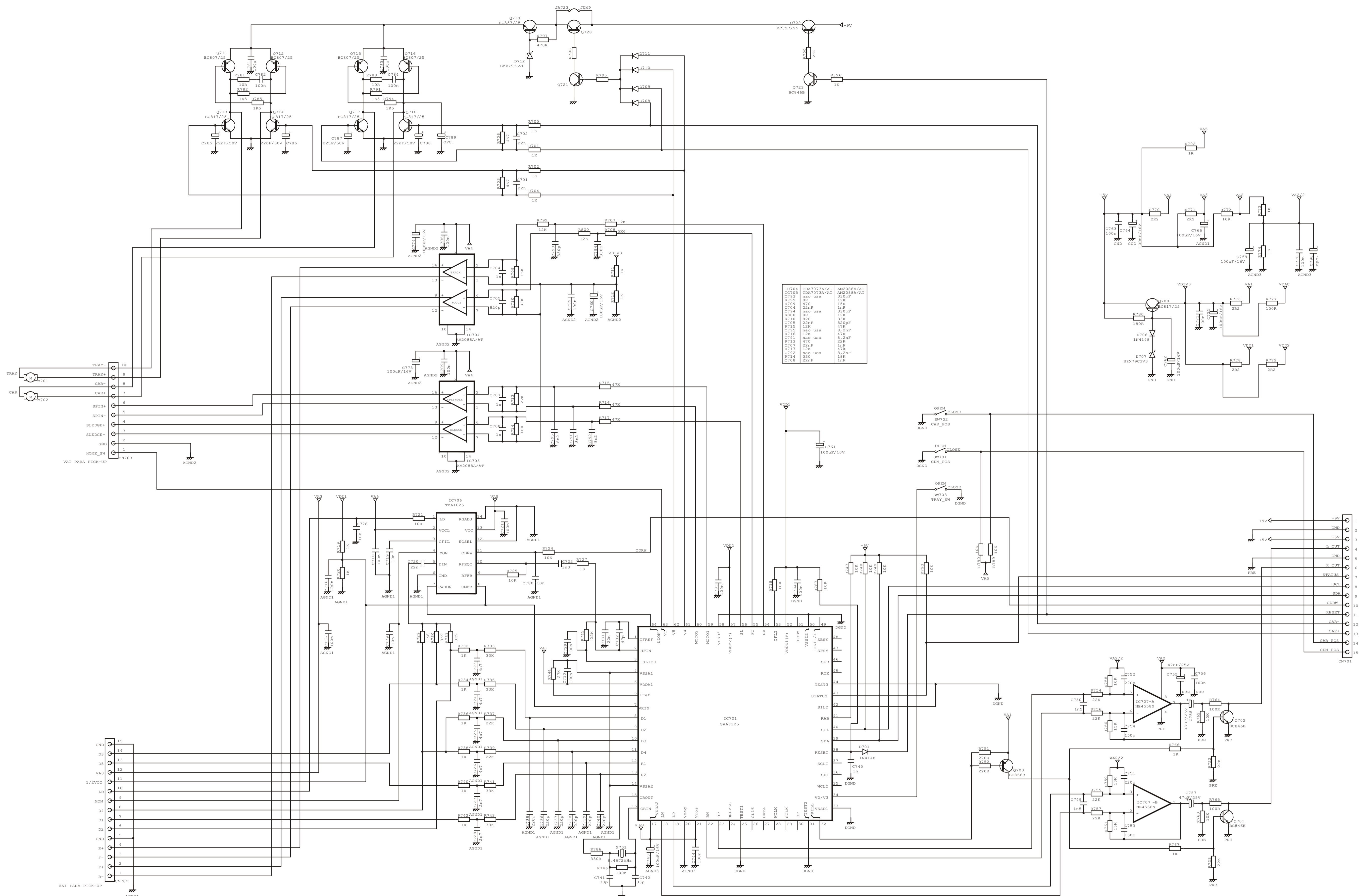
SEQUENCIA NO PAINEL



PCI FRONTAL

D	C603, C613 E C631 ERA 100n	THIAGO	16/07/01
C	R665 ERA 22K / INCLUSAO DAS SERIES MD4600B/C/D/E	THIAGO	26/03/01
B	LAB95900 R658.696 ERAM 1K	THIAGO	12/12/00
A	DESLIGAR R665 DA LINHA STBY E LIGA-LO AO R631/C639	THIAGO	05/12/00
ALT. P.A.	DISCRIMINAÇÃO	VISTO	DATA
TITULO: ESQUEMA ELETRICO		PROJEÇÃO	
PCI FRONTAL MD4600		dimensões em mm	
DES.	NOME	DATA	MAT.
PROJ.	ROBERTO	18/10/00	ACAB.
APRO.	THIAGO	31/10/00	MOD. MD4600/B/C/D/E
		TOL. Ø	TOL. N°
		COD. 1.00.52172.05	

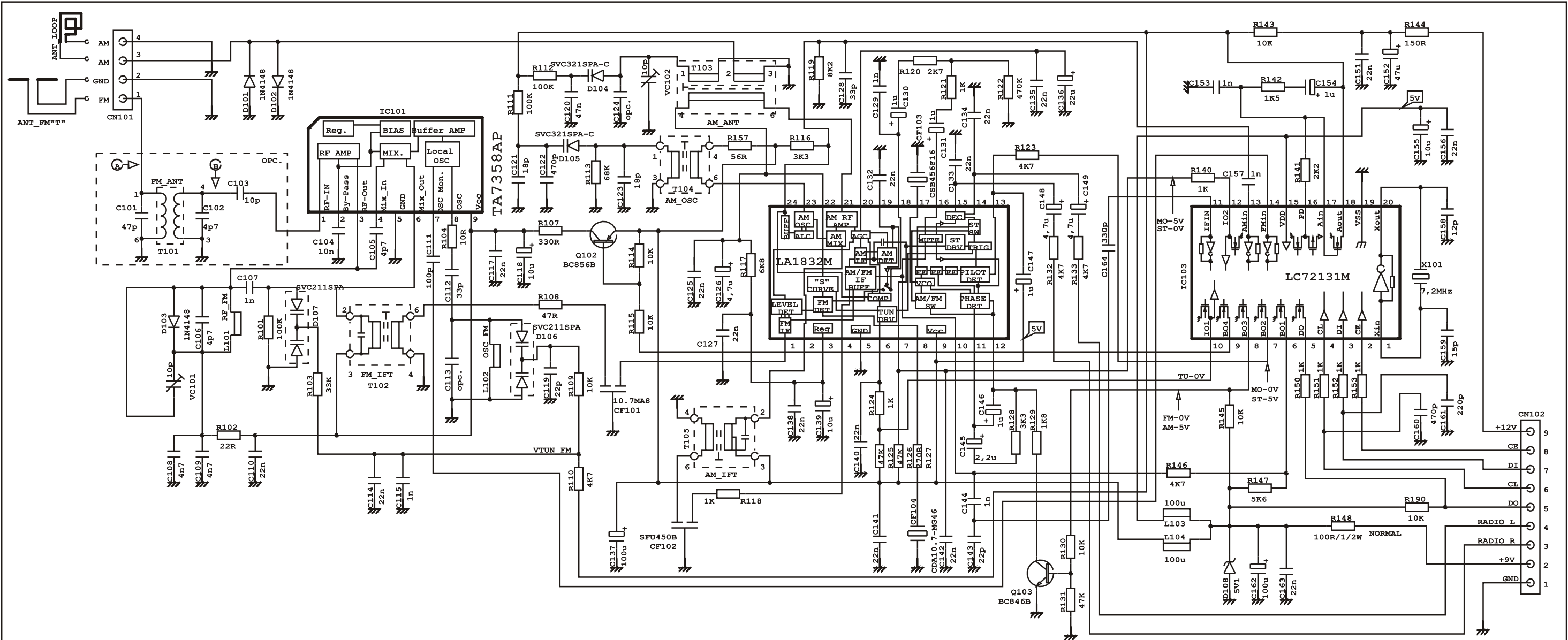




IC704	TDA1073A/AT	AN2088A/AT
IC705	TDA1073A/AT	AN2088A/AT
R701	10K	10K
R702	10K	10K
R703	10K	10K
R704	10K	10K
R705	10K	10K
R706	10K	10K
R707	10K	10K
R708	10K	10K
R709	10K	10K
R710	10K	10K
R711	10K	10K
R712	10K	10K
R713	10K	10K
R714	10K	10K
R715	10K	10K
R716	10K	10K
R717	10K	10K
R718	10K	10K
R719	10K	10K
R720	10K	10K
R721	10K	10K
R722	10K	10K
R723	10K	10K
R724	10K	10K
R725	10K	10K
R726	10K	10K
R727	10K	10K
R728	10K	10K
R729	10K	10K
R730	10K	10K
R731	10K	10K
R732	10K	10K
R733	10K	10K
R734	10K	10K
R735	10K	10K
R736	10K	10K
R737	10K	10K
R738	10K	10K
R739	10K	10K
R740	10K	10K
R741	10K	10K
R742	10K	10K
R743	10K	10K
R744	10K	10K
R745	10K	10K
R746	10K	10K
R747	10K	10K
R748	10K	10K
R749	10K	10K
R750	10K	10K
R751	10K	10K
R752	10K	10K
R753	10K	10K
R754	10K	10K
R755	10K	10K
R756	10K	10K
R757	10K	10K
R758	10K	10K
R759	10K	10K
R760	10K	10K
R761	10K	10K
R762	10K	10K
R763	10K	10K
R764	10K	10K
R765	10K	10K
R766	10K	10K
R767	10K	10K
R768	10K	10K
R769	10K	10K
R770	10K	10K
R771	10K	10K
R772	10K	10K
R773	10K	10K
R774	10K	10K
R775	10K	10K
R776	10K	10K
R777	10K	10K
R778	10K	10K
R779	10K	10K
R780	10K	10K
R781	10K	10K
R782	10K	10K
R783	10K	10K
R784	10K	10K
R785	10K	10K
R786	10K	10K
R787	10K	10K
R788	10K	10K
R789	10K	10K
R790	10K	10K
R791	10K	10K
R792	10K	10K
R793	10K	10K
R794	10K	10K
R795	10K	10K
R796	10K	10K
C701	100nF/16V	100nF/16V
C702	100nF/16V	100nF/16V
C703	100nF/16V	100nF/16V
C704	100nF/16V	100nF/16V
C705	100nF/16V	100nF/16V
C706	100nF/16V	100nF/16V
C707	100nF/16V	100nF/16V
C708	100nF/16V	100nF/16V
C709	100nF/16V	100nF/16V
C710	100nF/16V	100nF/16V
C711	100nF/16V	100nF/16V
C712	100nF/16V	100nF/16V
C713	100nF/16V	100nF/16V
C714	100nF/16V	100nF/16V
C715	100nF/16V	100nF/16V
C716	100nF/16V	100nF/16V
C717	100nF/16V	100nF/16V
C718	100nF/16V	100nF/16V
C719	100nF/16V	100nF/16V
C720	100nF/16V	100nF/16V
C721	100nF/16V	100nF/16V
C722	100nF/16V	100nF/16V
C723	100nF/16V	100nF/16V
C724	100nF/16V	100nF/16V
C725	100nF/16V	100nF/16V
C726	100nF/16V	100nF/16V
C727	100nF/16V	100nF/16V
C728	100nF/16V	100nF/16V
C729	100nF/16V	100nF/16V
C730	100nF/16V	100nF/16V
C731	100nF/16V	100nF/16V
C732	100nF/16V	100nF/16V
C733	100nF/16V	100nF/16V
C734	100nF/16V	100nF/16V
C735	100nF/16V	100nF/16V
C736	100nF/16V	100nF/16V
C737	100nF/16V	100nF/16V
C738	100nF/16V	100nF/16V
C739	100nF/16V	100nF/16V
C740	100nF/16V	100nF/16V
C741	100nF/16V	100nF/16V
C742	100nF/16V	100nF/16V
C743	100nF/16V	100nF/16V
C744	100nF/16V	100nF/16V
C745	100nF/16V	100nF/16V
C746	100nF/16V	100nF/16V
C747	100nF/16V	100nF/16V
C748	100nF/16V	100nF/16V
C749	100nF/16V	100nF/16V
C750	100nF/16V	100nF/16V
C751	100nF/16V	100nF/16V
C752	100nF/16V	100nF/16V
C753	100nF/16V	100nF/16V
C754	100nF/16V	100nF/16V
C755	100nF/16V	100nF/16V
C756	100nF/16V	100nF/16V
C757	100nF/16V	100nF/16V
C758	100nF/16V	100nF/16V
C759	100nF/16V	100nF/16V
C760	100nF/16V	100nF/16V
C761	100nF/16V	100nF/16V
C762	100nF/16V	100nF/16V
C763	100nF/16V	100nF/16V
C764	100nF/16V	100nF/16V
C765	100nF/16V	100nF/16V
C766	100nF/16V	100nF/16V
C767	100nF/16V	100nF/16V
C768	100nF/16V	100nF/16V
C769	100nF/16V	100nF/16V
C770	100nF/16V	100nF/16V
C771	100nF/16V	100nF/16V
C772	100nF/16V	100nF/16V
C773	100nF/16V	100nF/16V
C774	100nF/16V	100nF/16V
C775	100nF/16V	100nF/16V
C776	100nF/16V	100nF/16V
C777	100nF/16V	100nF/16V
C778	100nF/16V	100nF/16V

C	R709 ERA 9K1/ R714 ERA 12K/ ELIMINAR Q720 BC327, R786 2K2, Q723 BC846B, R795 10K, D708, 709, 710, 711 1N4148	THIAGO	13/07/01	
B	ACRESCENTAR CIRCUITO RESET/ REGULADOR 5V EXCLUSAO DO D709 6V2, R797 OR, C717 100uF/16V UNIFICAR MD4400/B/C/D/E-F-G-H-MD3130/B/C/D/E-F/G/H INCLUSAO DO Q719 BC337, R724 1K, C761 100uF/16V R780 ERA 39, R720 ERA 1K5 / INCLUSAO DAS SERIES MD4600B/C/D/E	THIAGO	27/03/01	
A	AMV10501	R719 ERA 3K3	THIAGO	19/12/00
ALT. P.A.		DISCRIMINAÇÃO		
		VISTO DATA		
		PROJEÇÃO		
TITULO: ESQUEMA ELETRICO PCI CD				
MD3130/B/C/D/E-F/G/H-MD4400/B/C/D/E-MD4600/B/C/D/E				
dimensões em mm				
DES.	ROBERTO	DATA	08/11/00	
PROJ.	ESC.	MAT.	ACAB.	
APRO.	THIAGO	MOD.	MD3130/MD4400/MD4600	
		TOL.Ø	TOL.	
		Nº		
		COD.1.00.52172.06		





L101	1.31.99568.00
L102	1.31.99569.00
T101	1.31.99559.00
T102	1.31.99560.00
T103	1.31.99556.00
T104	1.31.99561.00
T105	1.31.99558.00
CF101	1.42.15069.00
CF102	1.42.11014.34
CF103	1.42.15030.00
CF104	1.42.15070.00

LC72131M

IO2 (12) -M/ST	0V-ST
	5V-MO
IO1 (10) -TU	0V-OFF
	5V-ON
BO1 (6) -MUTE	0V-OFF
	5V-ON
BO2 (7) -M/ST	0V-MO
	5V-ST
BO3 (8) -FM/AM	0V-FM
	5V-AM
BO4 (9) -FM/AM	0V-FM
	5V-AM

TABELA DE MODELOS	
MOD:	MD4100 - MD4600A/B/C/D/E - MD3130E MD4400A/B/C/D/E/F - MD2500A/B - MD3030J/L

G	ELIMINAR Q104.105 BC846B, R138 1K, R136.137 10K, R139 33K, C150 4,7u e D109 1N4148/ R146 ERA 3K9, C136 ERA 10u, R116.117 ERA 5K6	THIAGO	01/08/01
F	ACERTO DA NOMENCLATURA DO CN102 E LIGACAO DA LINHA DO	THIAGO	02/07/01
E	UNIFICAR MD4600A/B/C/D/E INCLUSAO DO MD2500A/B, MD3030J/L, MD3130E, MD4100, MD4400E/F	THIAGO	22/05/01
D	INCLUSAO DA BOBINA FM ANTENA T101, INCLUSAO DO C101 47p / C103 ERA 15p, C102 ERA 15p / EXCLUSAO DO PCI ANTENA MONTADO	THIAGO	26/03/01
C	C103 ERA 1n / R116 ERA 3K3 / INCLUSAO DO C102 15p	THIAGO	23/02/01
B	INCLUSAO DO BPF101 GFMB6/ R116 ERA 5K6/ R107 ERA 47R	THIAGO	19/02/01
A	EXCLUSAO DA ANT FM T101, C101 82p, C102 4p7/ C103 ERA 10P	THIAGO	20/11/00

INCLUSAO DAS SERIES MD4400C/D

INCLUSAO DA SERIE B

ALT. P.A. DISCRIMINAÇÃO VISTO DATA

TÍTULO: ESQUEMA ELETRICO PCI RADIO  
TITLE: SCHEMATIC ELECTRIC PCB RADIO

PROJEÇÃO		dimensões em mm
NOME	DATA	MAT.
DES. CCE	18/10/00	ACAB.
PROJ.		ESC. TOL. ∅ TOL. N° A3

APRO. THIAGO 10/11/00 MOD. VIDE TABELA AO LADO CÓD. 1.00.52175.11