

# DISCO 4000

---

# SERVICE MANUAL

---

Professional Turntable



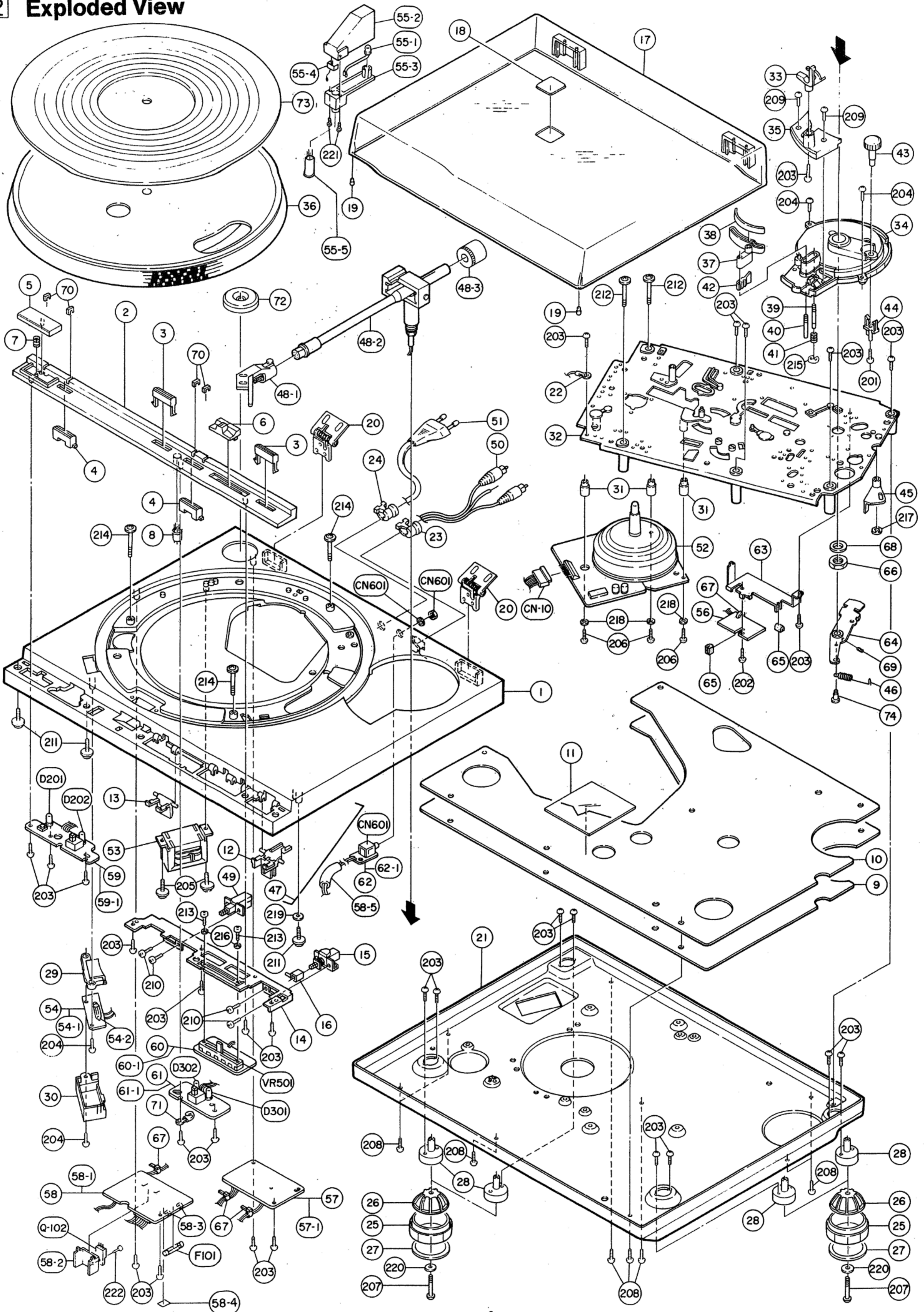
**CEC**  
Chuo Denki

# 1 Parts List

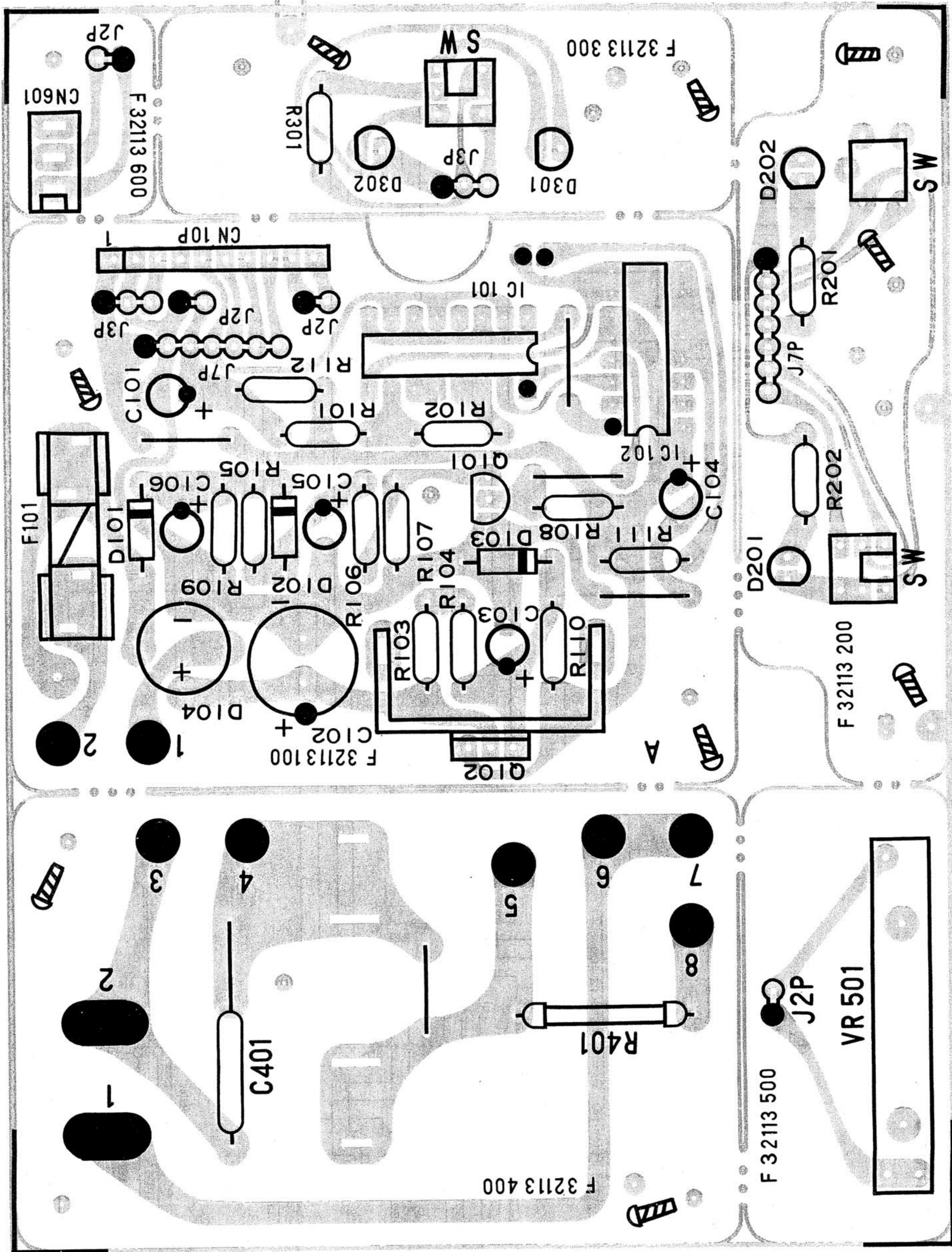
Ref. No.	Parts No.	Description	Q'ty	Ref. No.	Parts No.	Description	Q'ty
1	D 10054010	Cabinet	1	55	C 49189000	Stylus illuminator	1
1	D 10054140	Cabinet	1	55-1	C 32118000	Lamp	1
2	D 10070000	Panel front	1	55-2	D 49188000	Shade lamp	1
3	D 49179000	Knob, cueing/power	2	55-3	D 32121000	Base lamp	1
4	D 49178000	Knob, quartz/speed	2	55-4	F 49213000	Cord assy (1P)	1
5	D 49170000	Knob, start/stop	1	55-5	D 46411010	Connector Jack	1
6	D 32107000	Knob, pitch	1	56	42262079500	Printed circuit board, phono	1
7	E 49199000	Spring	1	57	C 32112400	PC assy, power	1
8	D 46403010	Connector plug	1	57-1	F 32113400	Printed circuit board	1
9	D 32110000	Sheet, rubber	1	△ C401	42239709000	CK 0.01μF 250V	1
10	A 32109000	Plate	1	△ R401	RH473102JZ0002	RH 1W 47K J	1
11	F 49172000	Sheet	1	58	C 32112100	PC assy, control	1
12	D 31753000	Hinge, cueing	1	58-1	F 32113100	Printed circuit board	1
13	D 48521000	Hinge, power	1	58-2	131 26201215000	Plate heat sink	1
14	A 32108000	Angle mount	1	58-3	42359230800	Fuse clip	2
15	42312024000	SW, push 1 key (0)	1	58-4	H 47577140	Label	1
16	134 24109200000	Pin, SW push	1	58-5	54631001400000	Tube	1
17	D 20983000	Lid	1	△ F101	42342002500	Fuse 630mA	1
18	K 47998000	Plate, lid	1	C101	CD1055000001V0	CD V 1MF 50V	1
18	K 48314000	Plate, lid	1	C102	F 48913010	Elect 470MF 35V	1
19	131 22904134000	Pad, lid	2	C103	CD4762500001V0	CD V 47MF 25V	1
20	K 47869000	Hinge	2	C104	CD1072500001V0	CD V 100MF 25V	1
21	A 20987020	Bottom plate	1	C105	CD1062500001V0	CD V 10MF 25V	1
22	F 49182000	Cord assy	1	C106	CD4752500001V0	CD V 4.7MF 25V	1
23	131 26111148000	Bushing, phono	1	D101	20252470135400	Diode DS135D	1
24	D 44421000	Bushing, power	1	D102	20559040442100	Diode DS442	1
25	131 21801136000	Leg	4	D103	20253210200111	Diode GZA-20X	1
26	131 25203244000	Felt	4	△ D104	DGG W02	Diode W02	1
27	134 25205175000	Cushion	4	IC101	20658584049100	IC LC4049B	1
28	D 49171000	Base, leg	4	IC102	F 49186000	IC LC4027B	1
29	D 31726000	Filter	1	Q101	20355000536500	TR 2SC536E, F	1
30	D 31727000	Cover	1	Q102	20358570330400	TR 2SD330D, E	1
31	B 49173000	Spacer	3	R101	RD104251JM0000	RD M 1/4W 100K J	1
32	D 20994000	Unit plate	1	R102	RD474251JM0000	RD M 1/4W 470K J	1
33	C 48506000	Arm rest assy	1	R103	RD471251JM0000	RD M 1/4W 470 J	1
34	D 20988090	Base pick up	1	R104	RD471251JM0000	RD M 1/4W 470 J	1
35	D 31752090	Base arm rest	1	R105	RD473251JM0000	RD M 1/4W 47K J	1
36	D 20451040	Turntable platter	1	R106	RD104251JM0000	RD M 1/4W 100K J	1
37	D 31338000	Support arm	1	R107	RD103251JM0000	RD M 1/4W 10K J	1
38	134 25205136000	Cushion	1	R108	RD473251JM0000	RD M 1/4W 47K J	1
39	B 48528000	Spindle lifting	1	R109	RD472251JM0000	RD M 1/4W 4.7K J	1
40	B 48529000	Screw	1	R110	RD152251JM0000	RD M 1/4W 1.5K J	1
41	E 48527000	Spring	1	R111	RD270251JM0000	RD M 1/4W 27 J	1
42	D 48538000	Actuator	1	R112	RD103251JM0000	RD M 1/4W 10K J	1
43	D 48535090	Knob, IFC	1	CN10P	F 49181000	Connector 10P assy	1
44	134 22106124000	Holder	1	59	C 32112200	PC assy, play	1
45	134 24123208000	Arm	1	59-1	F 32113200	Printed circuit board	1
46	E 49209000	Spring	1	59-2	42312058010	Key board SW	1
47	E 48540000	Rod	1	59-3	F 31706000	SW, push 1 key	1
48	C 31910200	Tonearm assy	1	D201	F 31834000	LED LN21RCPHL	1
48-1	C 48700200	Headshell assy	2	D202	F 31834000	LED LN21RCPHL	1
48-2	C 31910000	Arm assy	1	R201	RD332251JM0000	RD M 1/4W 3.3K J	1
48-3	C 49207000	Weight assy	1	R202	RD332251JM0000	RD M 1/4W 3.3K J	1
49	F 31827010	Power switch	1	60	C 32112500	PC assy, volume	1
50	F 31324030	Wire shield assy	1	60-1	F 32113500	Printed circuit board	1
50	F 31324030	Wire shield assy	1	J2P	131 29800010550	Jumper, 2P	1
△ 51	42432000710	Power cord	1	VR501	F 32116000	VR, 1K-B	1
△ 51	F 47710010	Power cord	1	61	C 32112300	PC assy, speed	1
52	F 32119000	DD Motor	1	61-1	F 32113300	Printed circuit board	1
△ 53	F 32117400	Power trans	1	61-2	F 31706000	SW, push 1 key	1
△ 53	F 32117600	Power trans	1	D301	F 32115000	LED (G)	1
54	141 01939040400	PC assy, neon	1	D302	F 31834000	LED LN21RCPHL	1
54-1	42262043600	Printed circuit board	1	R301	RD332251JM0000	RD M 1/4W 3.3K J	1
△ 54-2	46129706400	Neon lamp	1	J3P	131 29800010510	Jumper, 3P	1



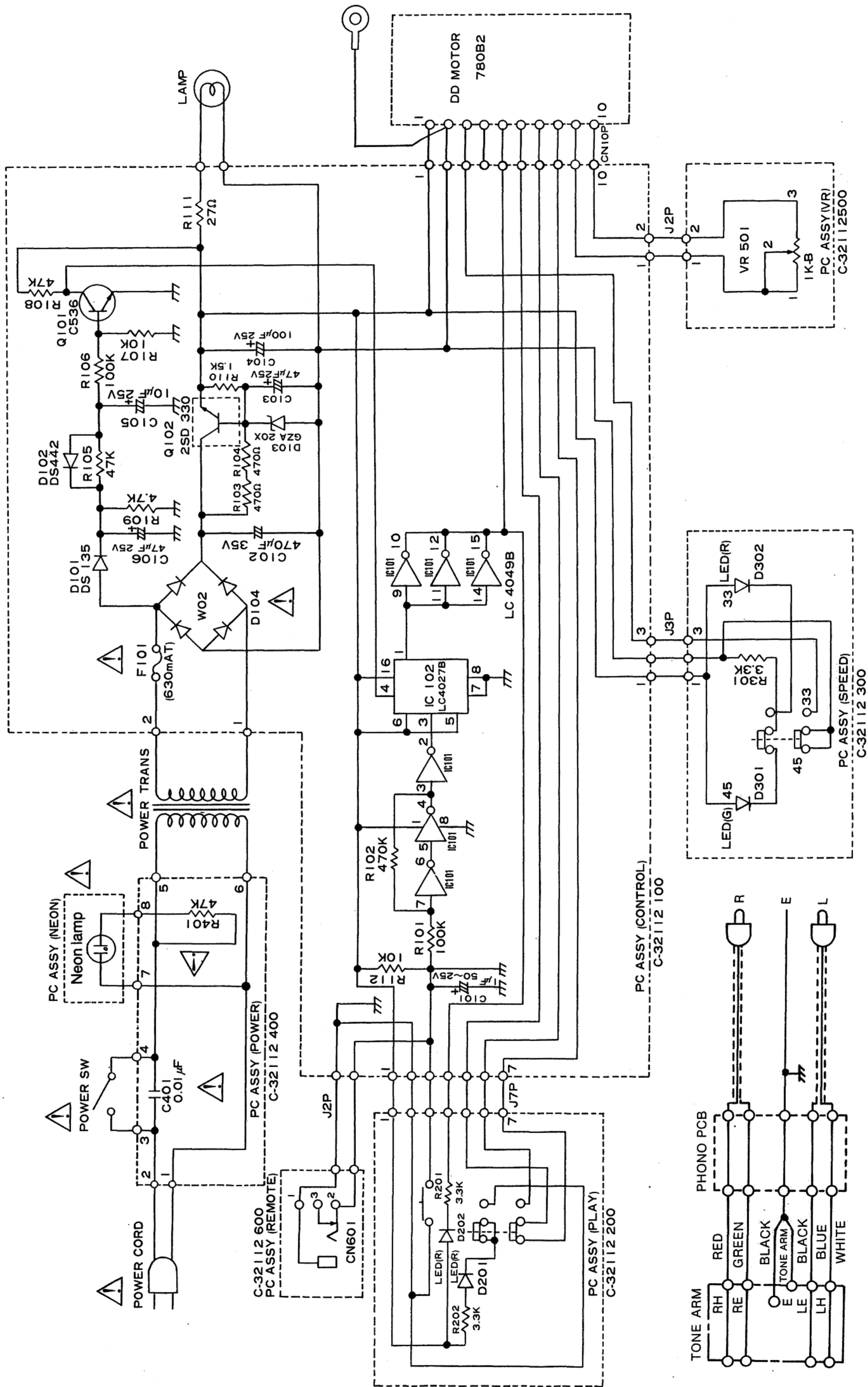
## 2 Exploded View



3 Printed Wiring Board



# 4 Schematic Diagram



5 Controller Circuit Diagram

