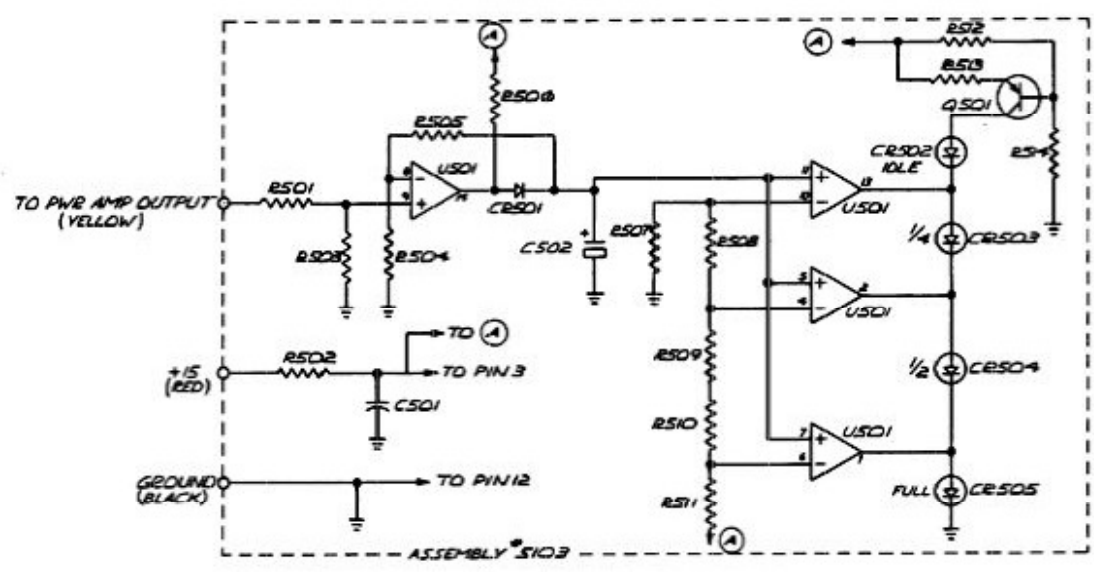


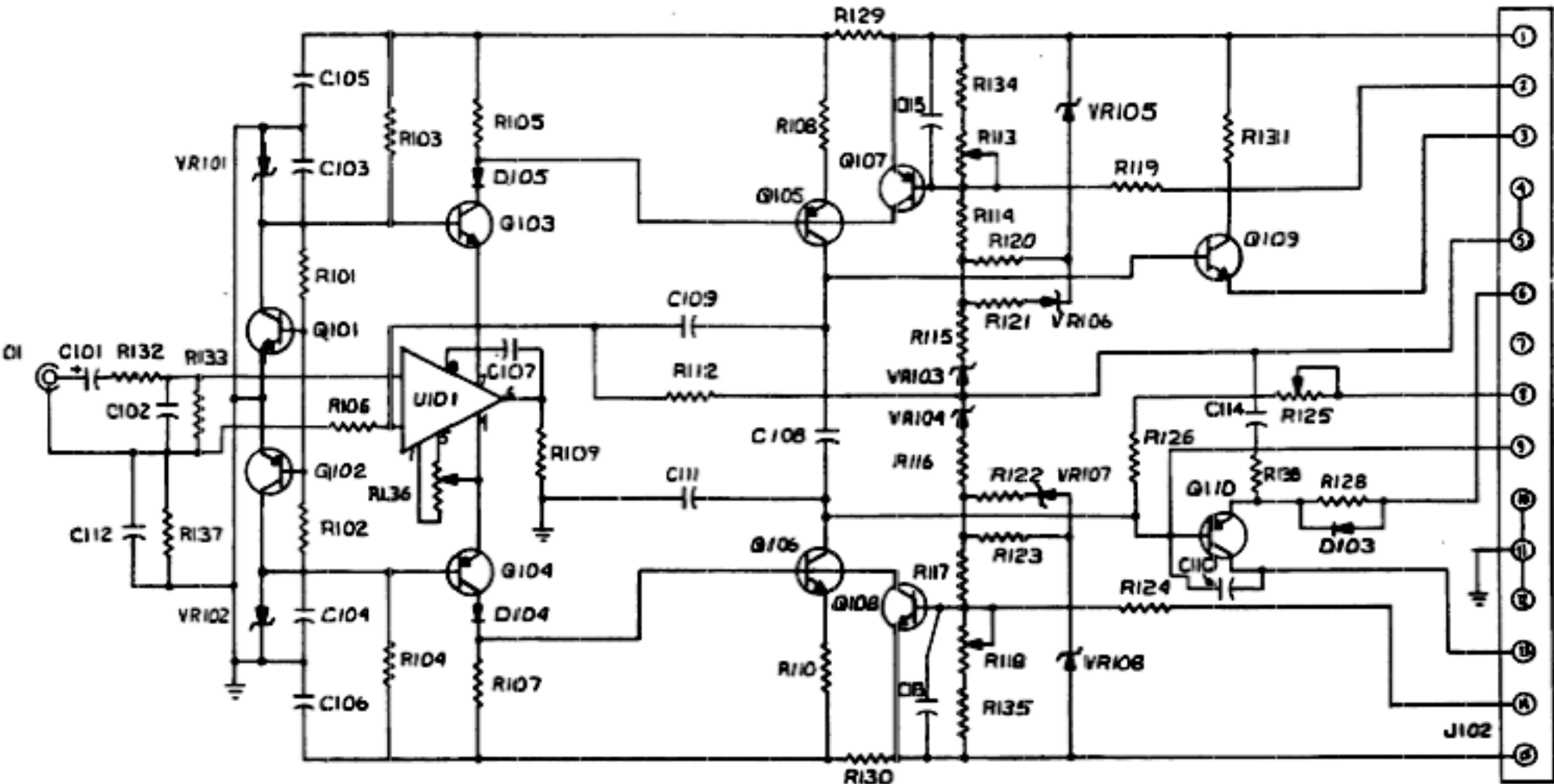
(2)

REVISIONS			
LTN	DESCRIPTION	DATE	APPROVED

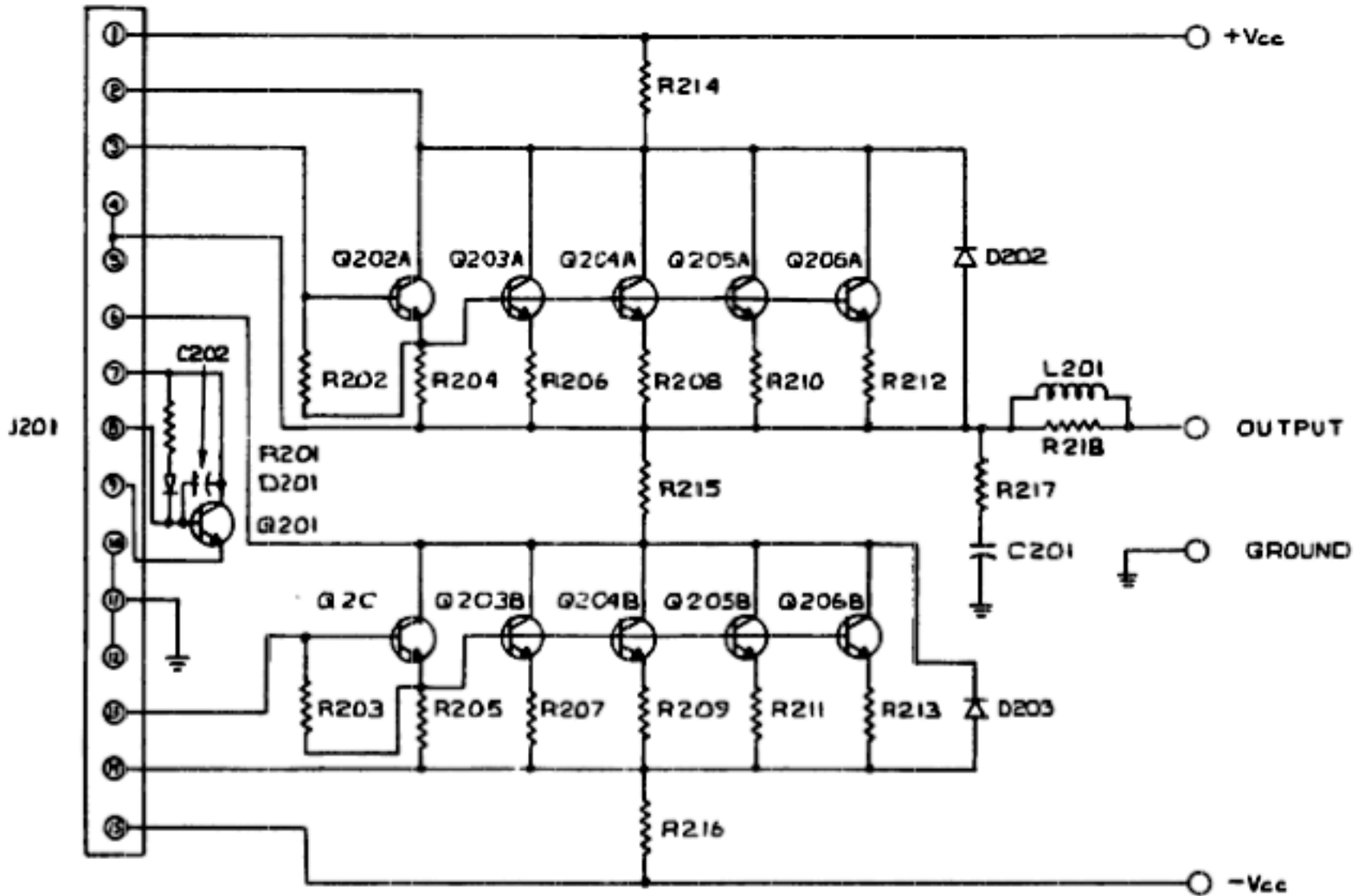


SENSITIVITY  
 FULL - 32 V  
 1/2 - 22.5V  
 1/4 - 16 V

TOLERANCES UNLESS OTHERWISE SPECIFIED		<b>Corwin-Vega, Inc.</b>	
FRACTIONS	DEC.	SCHEMATIC - LED BOARD	
2	2	BG-250	
APPROVALS	DATE	SCALE	SIZE
DESIGN J.L.	1/2/96		B
CHECKED	10/4/97		5305
DO NOT SCALE DRAWING		SHEET	



<b>CERWIN VEGA</b> 6045 TULUNGA AVE. NORTH HOLLYWOOD, CALIF. 91605		
SCALE:	APPROVED BY:	DRAWN BY: <i>SH</i>
DATE: <i>3/20/95</i>		REVISED: <i>K</i>
<b>AMPLIFIER DRIVE BOARD ASSY # 1043</b>		
		PART NUMBER <b>2043</b>



<b>CERWIN VEGA</b>		
NORTH HOLLYWOOD, CALIF. 91375		
SCALE:	APPROVED BY:	DESIGNED BY: <i>CAA</i>
DATE: 3-5-75		REVISED: <i>JL</i>
<b>AMPLIFIER OUTPUT ASSEMBLY 1075B</b>		
APPLIES TO BG-250		REVISION NUMBER 2039