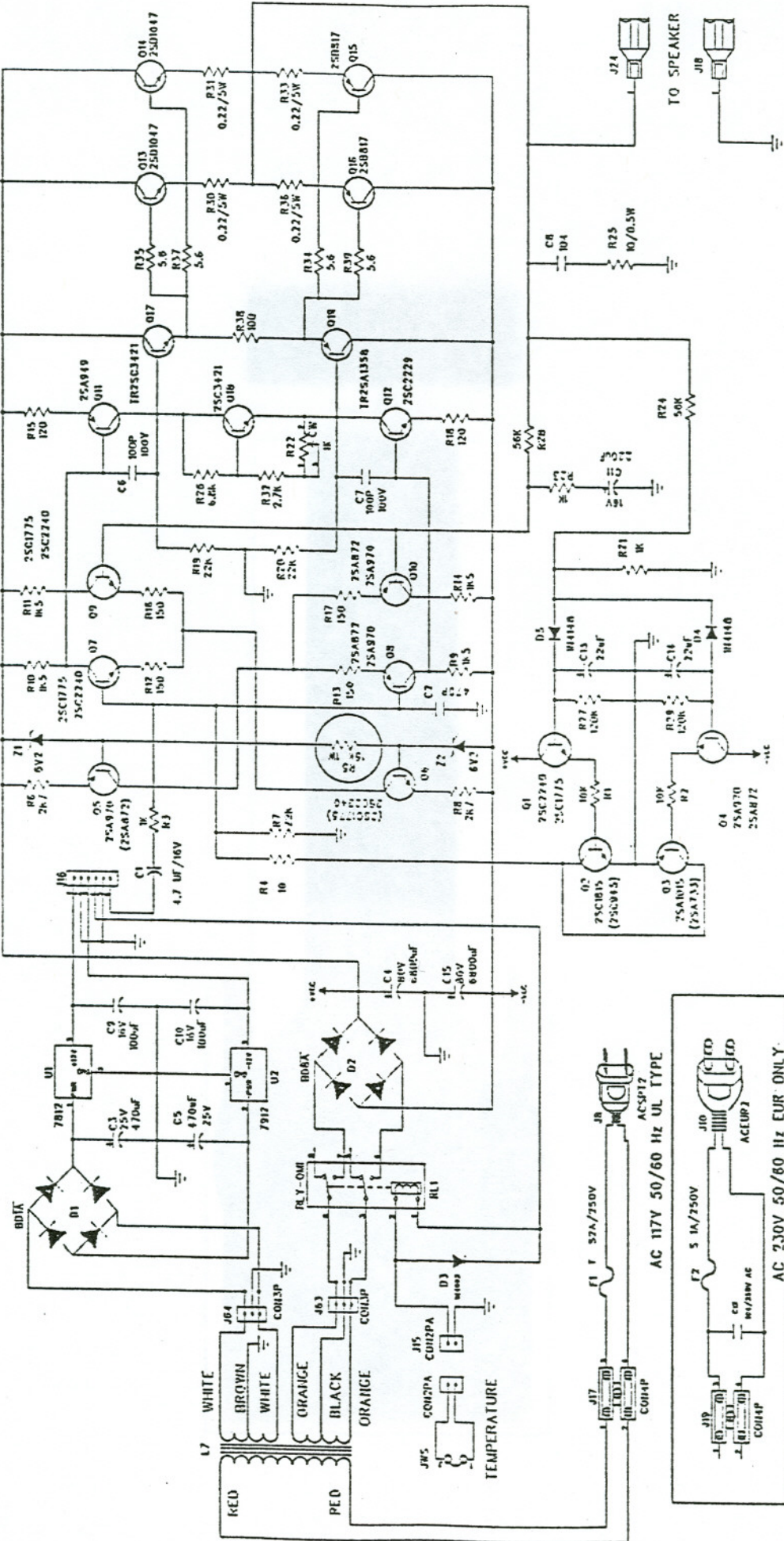


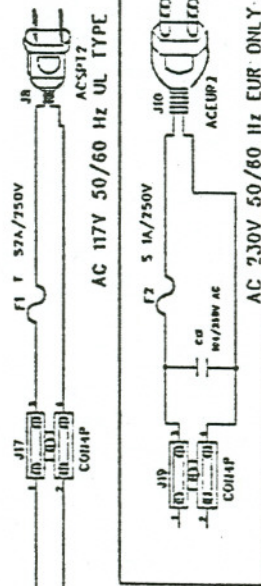
MATERIAL	TOLERANCE		DESCRIPTION				SCHEMATIC DIAGRAM	VERSION
FINISH	0.5--15	± 0.2	SCALE	MODEL	DATE	PARTS NO.	CROSSOVER PCB	2.0
	15--60	± 0.4	DRAWN	DESIGN	CHECK	APPROVED		
	60--150	± 0.5					DISK NO.	A3
	150--250	± 0.6	HT-S15 EQ.					
	250--500	± 0.8						

TO CONTROL BOARD



NAME		MATERIAL		FINISH		USE UNIT		HTS15-AMP		HTS15-AMP		SCHEMATIC DIAGRAM		VERSION	
SCALE		MODEL		DATE		CHECK		APPROVED		PARTS NO.		AMPLIFIER		1.1	
1:0.2		N										HTS15-A1		A2	
1.5-15		1:0.4		1:0.5		1:0.6		1:0.3		DISK NO.					
16-60		1:0.3		1:0.4		1:0.5		1:0.6							
61-150		1:0.3		1:0.4		1:0.5		1:0.6							
151-250		1:0.3		1:0.4		1:0.5		1:0.6							
751-500		1:0.3		1:0.4		1:0.5		1:0.6							
TOLERANCE		DATE		CHECK		APPROVED									
1.5-15		1:0.2		1:0.3		1:0.4		1:0.5							
16-60		1:0.3		1:0.4		1:0.5		1:0.6							
61-150		1:0.3		1:0.4		1:0.5		1:0.6							
151-250		1:0.3		1:0.4		1:0.5		1:0.6							
751-500		1:0.3		1:0.4		1:0.5		1:0.6							

HTS15-AMP



AC 117V 50/60 Hz UL TYPE

AC 230V 50/60 Hz EUR ONLY