

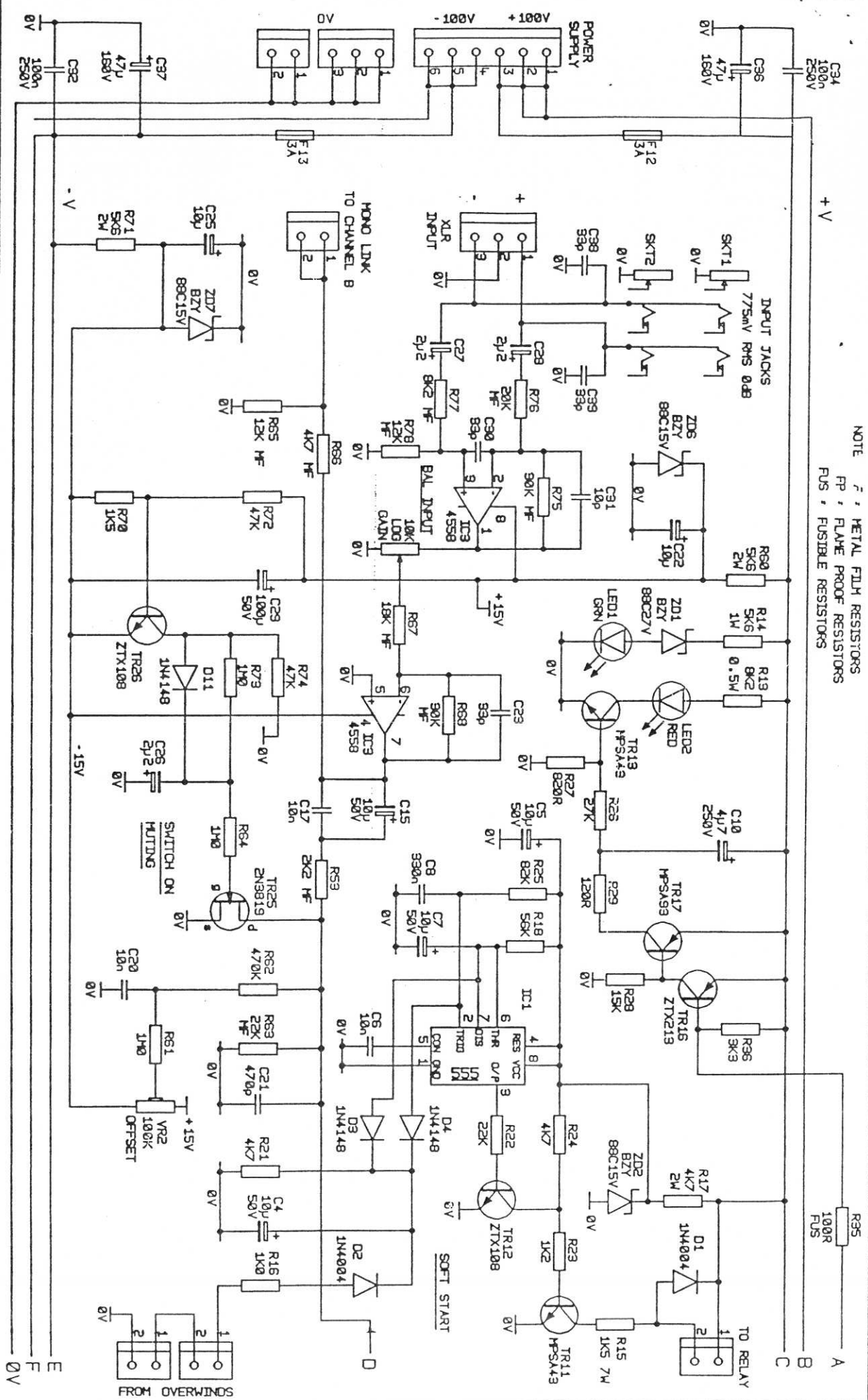
NOTE: HF = METAL FILM RESISTORS
 FP = FLAME PROOF RESISTORS
 FUS = FUSIBLE RESISTORS

PPX1200 AMPLIFIER
 CHANNEL B
 CIRCUIT DIAGRAM

ISSUE 3 - 24.8.87
 ISSUE 4 - 25.11.87 (H359)
 ISSUE 5 - 3.5.88 (M417)

PCB1081/12

SHIT, 1
 OF 2
 ISSUE
 5



NOTE
 F = METAL FILM RESISTORS
 FP = FLAME PROOF RESISTORS
 FUS = FUSIBLE RESISTORS

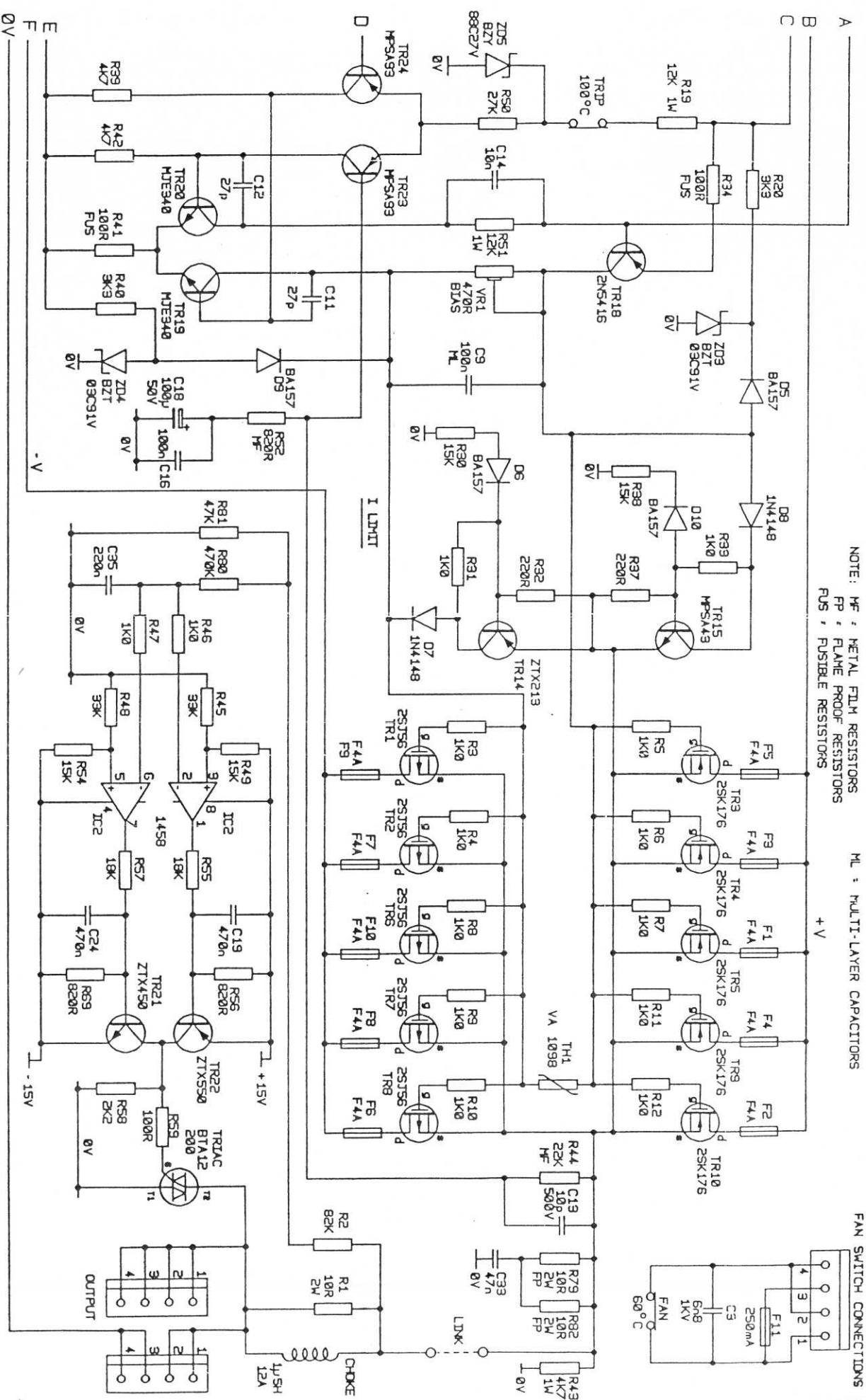
Ppx1200 AMPLIFIER
 CHANNEL A
 CIRCUIT DIAGRAM
 (PC1080A.D04D)

ISSUE 3 - 24.8.87
 ISSUE 4 - 25.11.87 (M359)
 ISSUE 5 - 3.5.88 (M417)

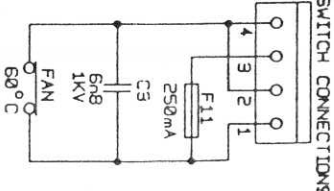
PCB1080/12

SHT. 1
 OF 2

ISSUE 5



NOTE: MF : METAL FILM RESISTORS
 FP : FLAME PROOF RESISTORS
 FUS : FUSIBLE RESISTORS
 ML : MULTI-LAYER CAPACITORS



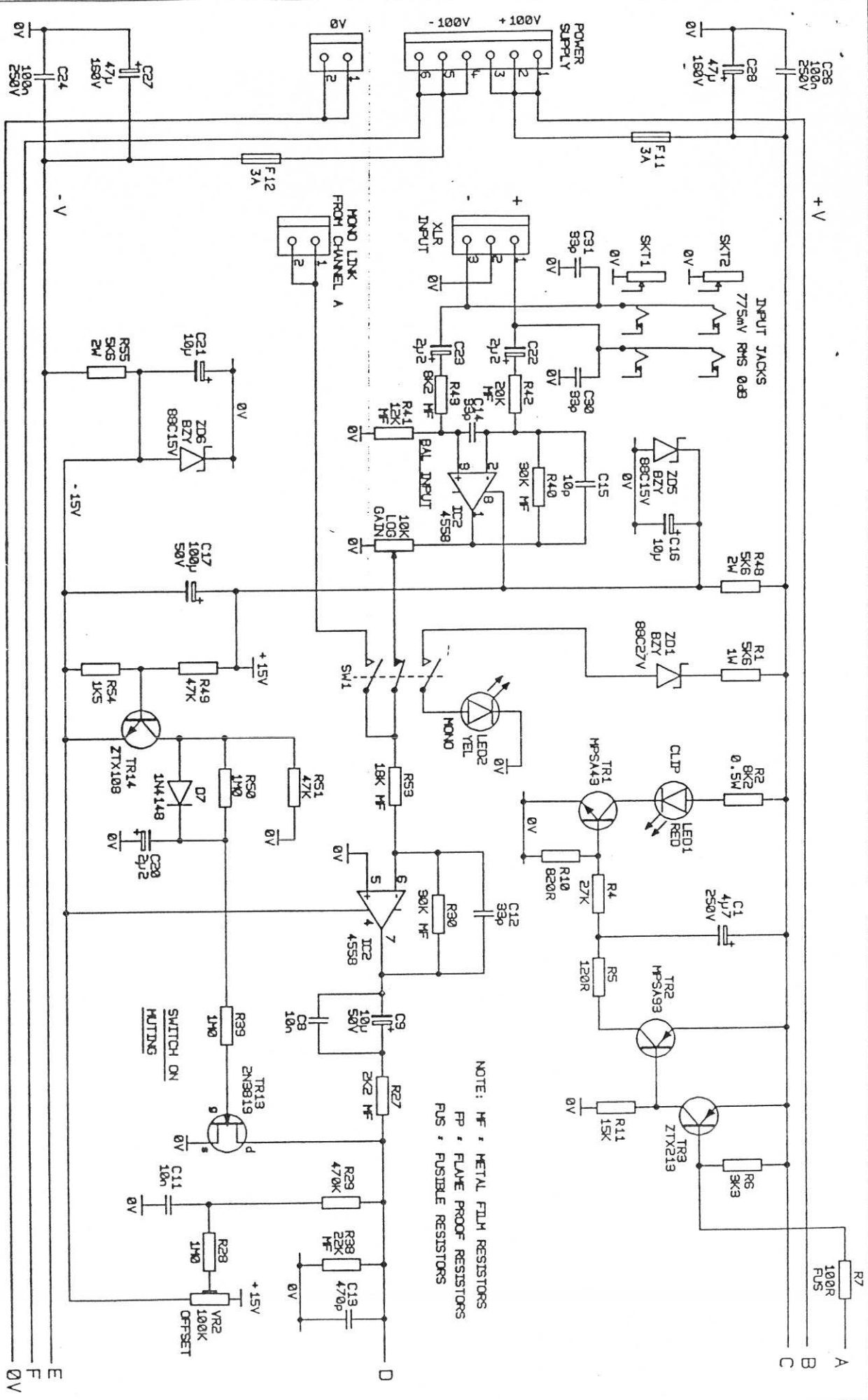
PPX 1200 AMPLIFIER
 CHANNEL A
 CIRCUIT DIAGRAM

<PC1080B.D31D

PCB1080/12

ISSUE 3 : 24.8.87 (M353)
 ISSUE 4 : 28.8.87 (M417)
 ISSUE 5 : 3.5.88 (M417)

SH-T. 2
 OF 2
 ISSUE 5



NOTE: HF : METAL FILM RESISTORS
 FP : FLAME PROOF RESISTORS
 FUS : FUSIBLE RESISTORS

PPX1200 AMPLIFIER
 CHANNEL B
 CIRCUIT DIAGRAM

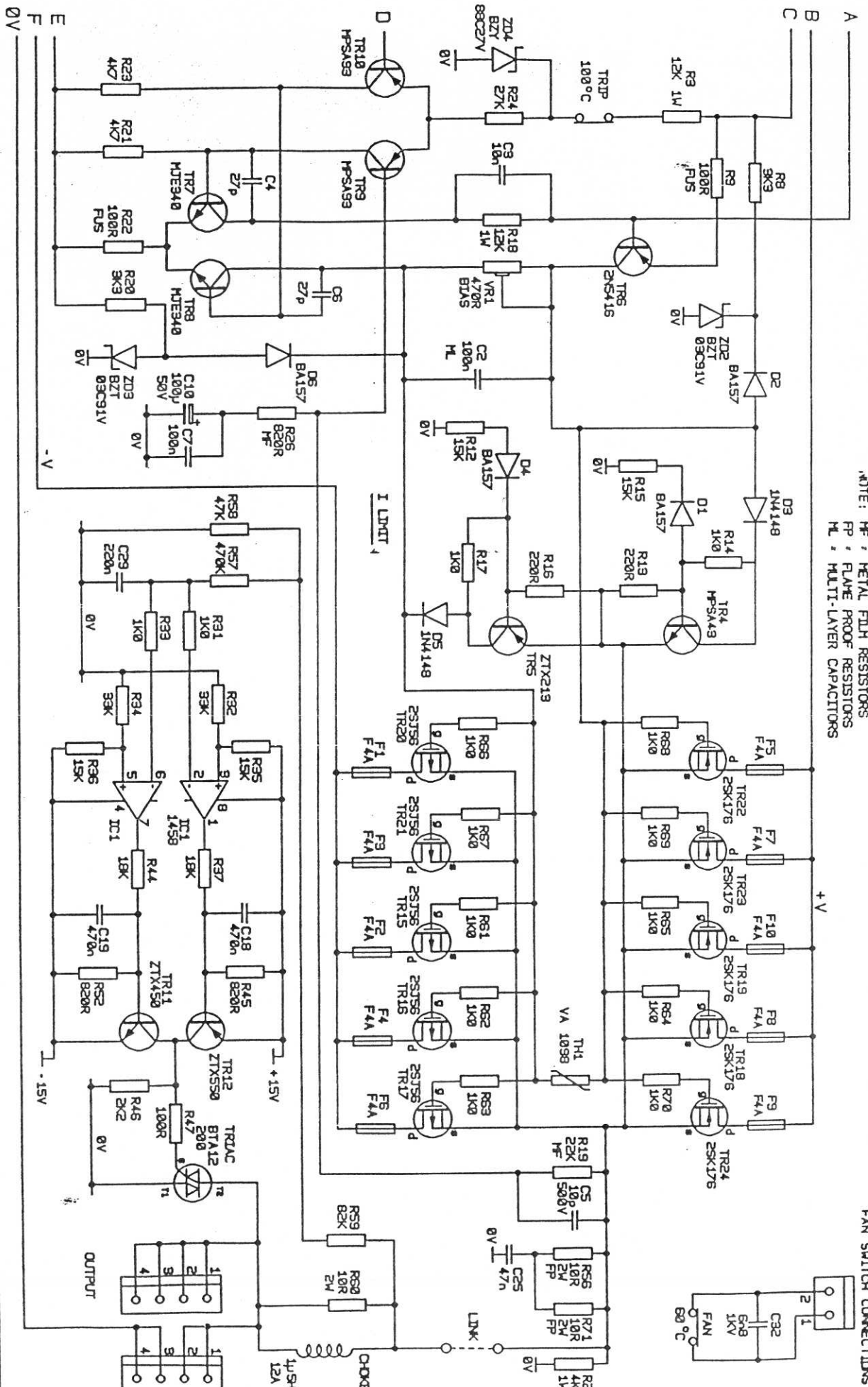
ISSUE 3 - 24.8.87
 ISSUE 4 - 25.11.87(M359)
 ISSUE 5 - 3.5.88 (M417)

SHT. 1
 OF 2
 ISSUE

PCB1081A.DDD

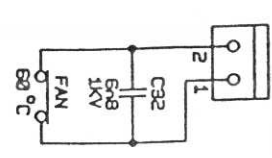
PCB1081/12

5



NOTE: MF - METAL FILM RESISTORS
 FP - FLAME PROOF RESISTORS
 ML - MULTI-LAYER CAPACITORS

FAN SWITCH CONNECTIONS



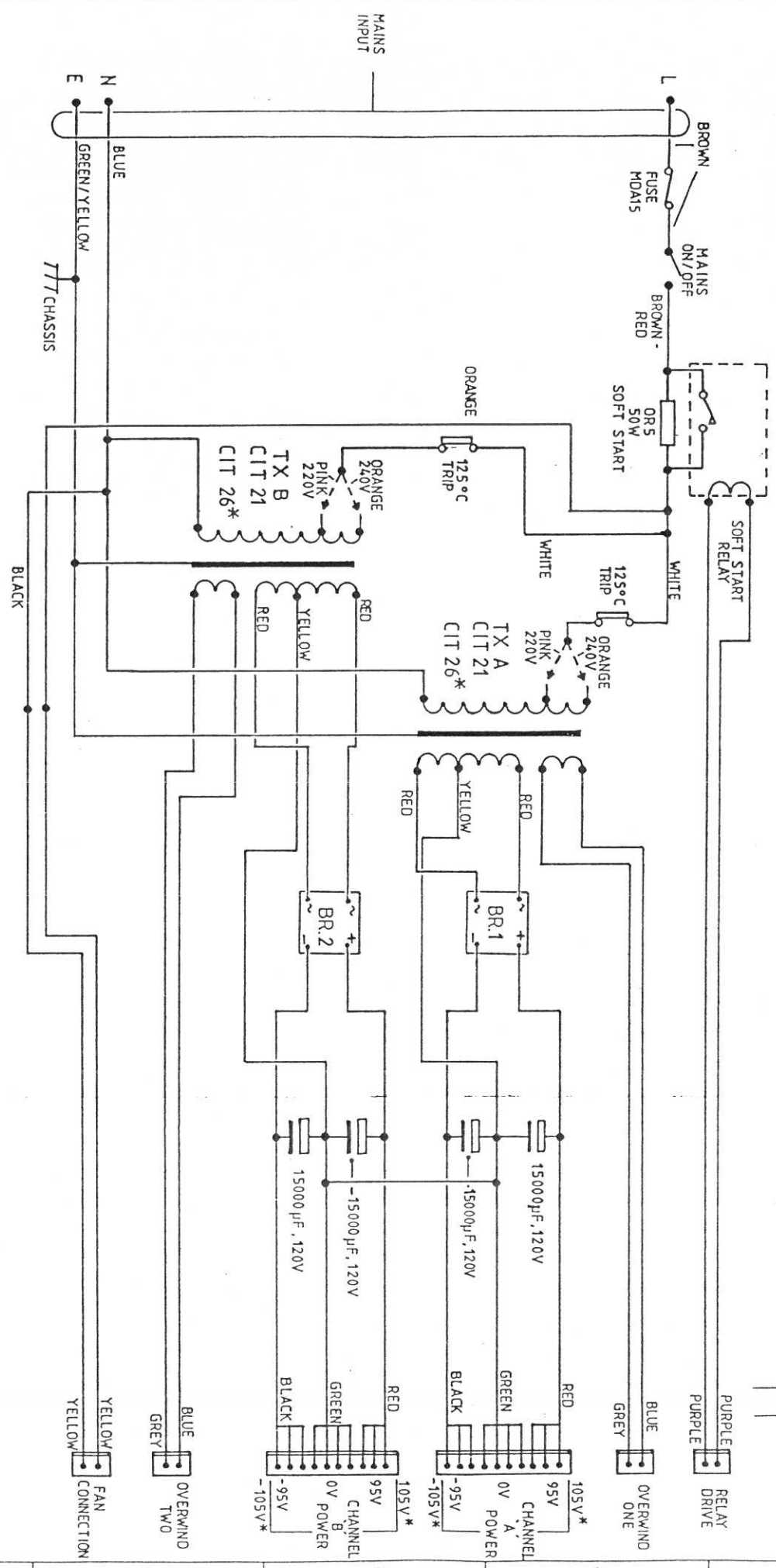
PPX 1200 AMPLIFIER
 CHANNEL B
 CIRCUIT DIAGRAM
 (PC1081B.D00)

ISSUE 8 - 24.8.87
 ISSUE 4 - 28.8.87 (H3593)
 ISSUE 5 - 3.5.88 (H4.17)

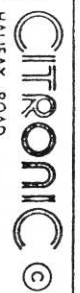
PCB1081/12

SHIT. 2
 OF 2
 ISSUE 5

NOTE: ALL ITEMS MARKED '*' ARE FOR PPX 1600 ONLY.



ISS	REFERENCE
1	Rev 27-7-87
2	PPX 1600 Variations Added - 24-9-87



HAULFAX ROAD,
BOWERHILL, MELKSHAM,
WILTSHIRE
Telephone 102251 705600

TOLERANCES
UNLESS OTHERWISE STATED
DIMENSIONAL ±
ANGULAR 1

MATERIAL:
TREATMENT:
FINISH
SCALE

DRAWN KJG
ORIGIN'R SA
CHECKED APPROVED

220V & 240V PSU CIRCUIT
DIAGRAM

USED ON:
PPX 1200/ PPX 1600
DRG. NO
B 101561

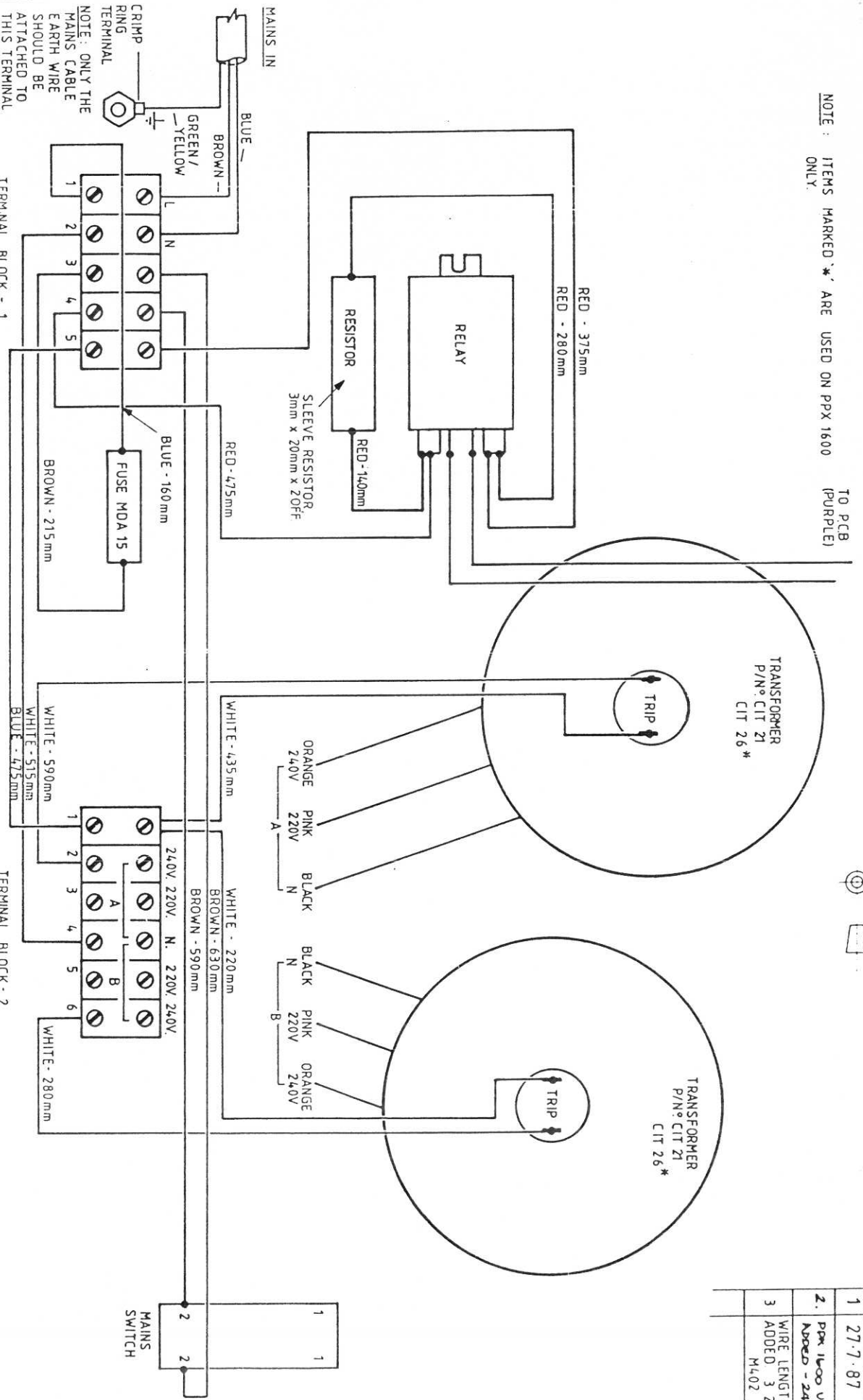
SHEET 1 of 1
ISSUE 2

NOTE : ITEMS MARKED '*' ARE USED ON PDX 1600 (PURPLE) ONLY.

DO NOT SCALE



ISS	REFERENCE	H
1	27.7.87	
2	PDX 1600 VARIANTS ADDED - 24.9.88	
3	WIRE LENGTHS ADDED 3 2 88 H402	



CRIMP RING TERMINAL
 NOTE: ONLY THE MAINS CABLE EARTH WIRE SHOULD BE ATTACHED TO THIS TERMINAL

TERMINAL BLOCK - 1

TERMINAL BLOCK - 2

CITRONIC
 1411 FAX ROAD,
 BOWERMILL, MELKSHAM,
 WILTSHIRE
 Telephone: (02725) 706800

FOR FRANCES
 DIMENSIONS STATED
 DIMENSIONAL
 ANGLE 90°
 WORK TO BS 688

MATERIAL
 TREATMENT
 FINISH
 SCALE

DRAWN
 CHECKED
 APPROVED

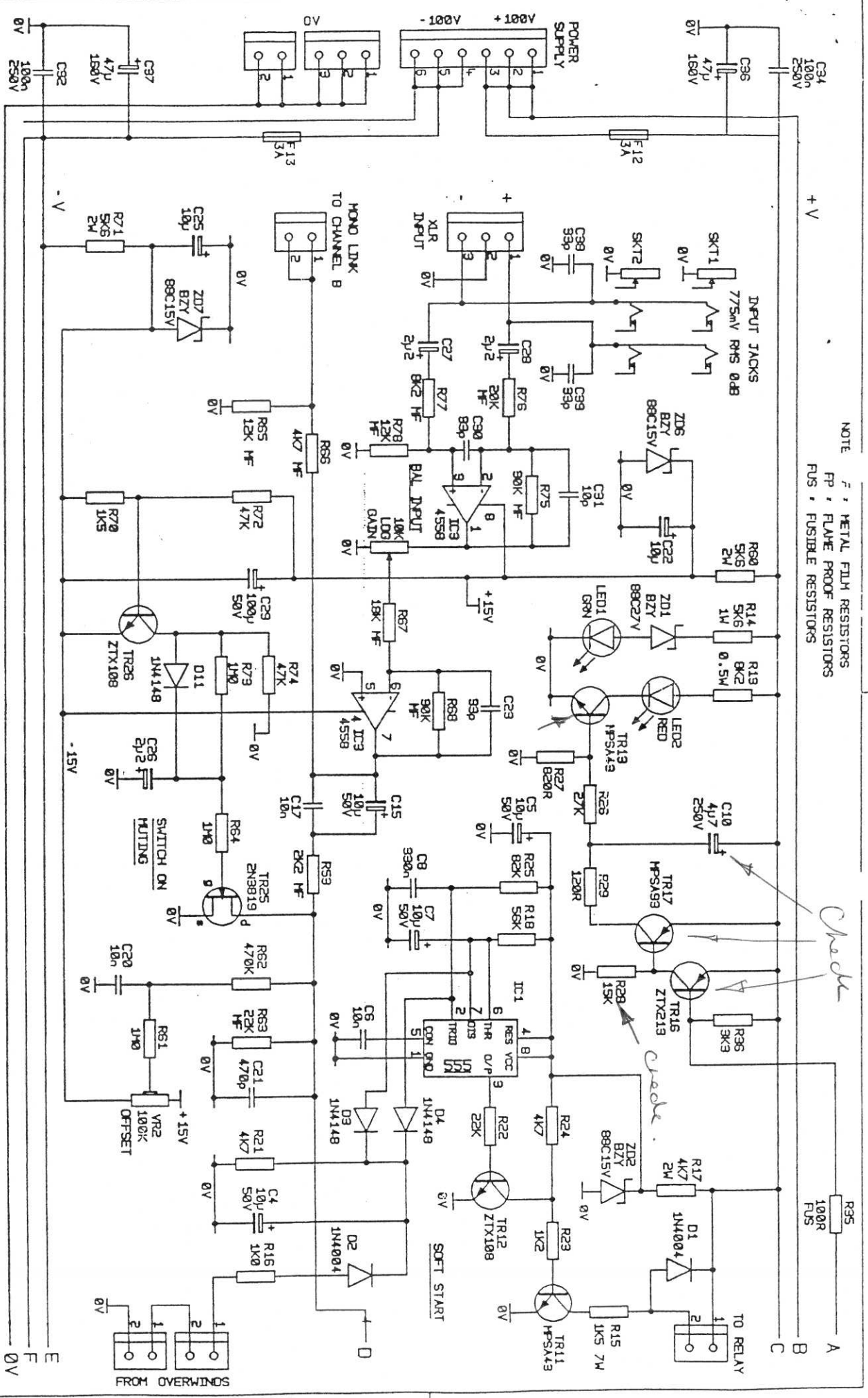
WIRING DIAGRAM FOR PDX 1200/1600
 MAINS

USED ON
 PDX 1200 / PDX 1600

SHEET
 1 of 1

DRG. NO.
 WD 638

ISSUE
 3



NOTE
 F : METAL FILM RESISTORS
 FP : FLAME PROOF RESISTORS
 FUS : FUSIBLE RESISTORS

Check

Check

PPX1200 AMPLIFIER CHANNEL CIRCUIT DIAGRAM

ISSUE 3 - 24.8.87
 ISSUE 4 - 25.11.87 (H353)
 ISSUE 5 - 3.5.88 (M4.17)

SH. 1 OF 2
 ISSUE 5

C:PC1080A.004D

PCB1080/12