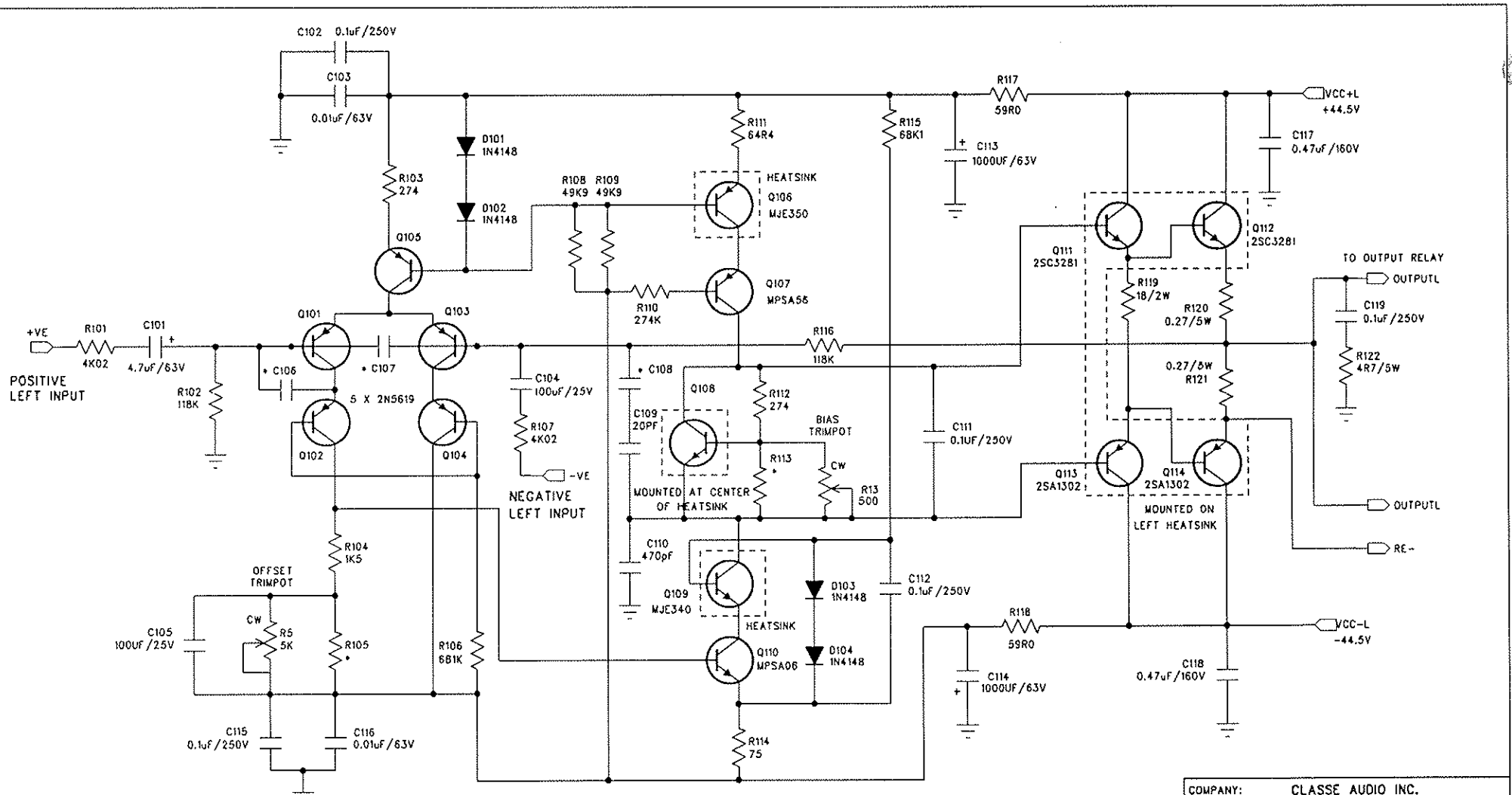
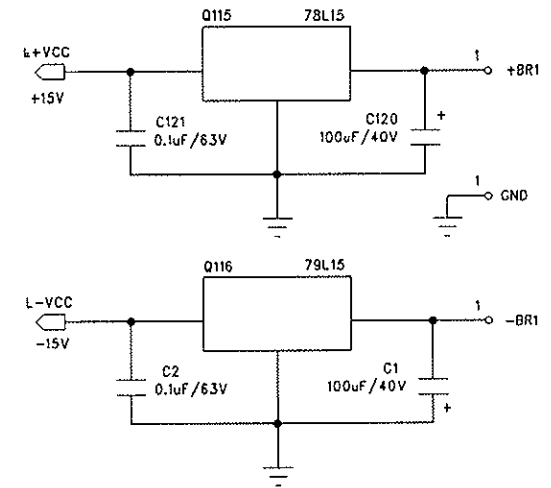
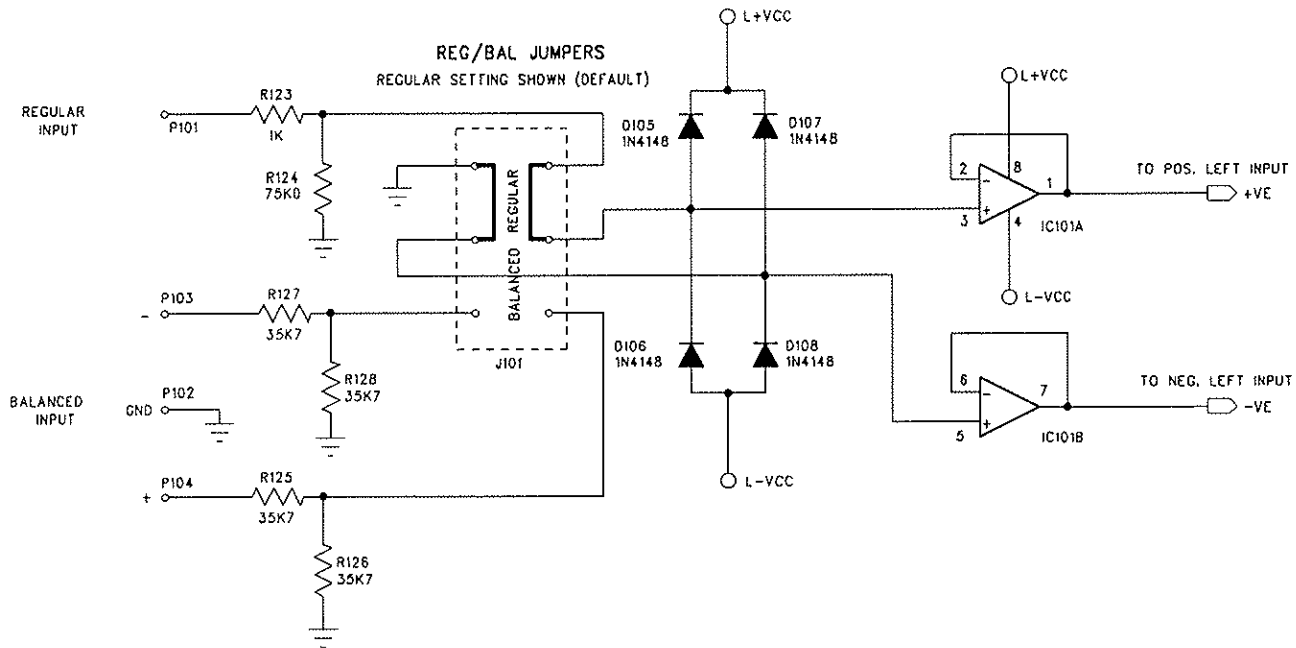


COMPANY: CLASSE AUDIO INC.		
TITLE: CLASSE 70 POWER AMPLIFIER		
DESC: FLOW DIAGRAM		
DRAWING NO: 70DIA		
DRAWN: NVK	DATE: JUNE 8/92	SHEET: 1 OF 5



LEFT CHANNEL SHOWN
 * = INSTALLED DURING CALIBRATION
 CORRESPONDING PART NAMES ON RIGHT CHANNEL: R2XX, C2XX, D2XX, etc..

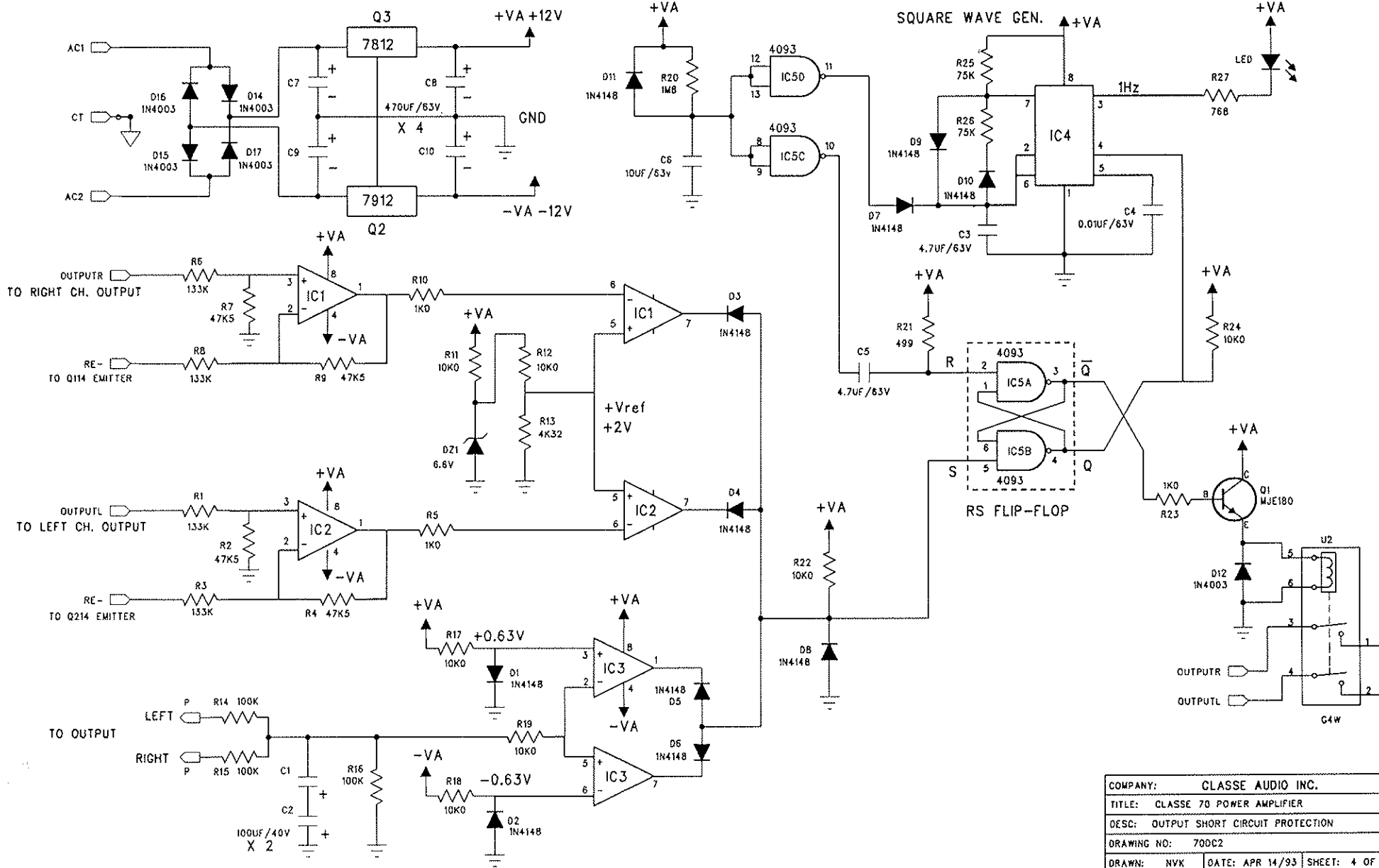
COMPANY: CLASSE AUDIO INC.		
TITLE: CLASSE 70 POWER AMPLIFIER		
DESC: LEFT CHANNEL CIRCUITRY		
DRAWING NO: 70PC82		
DRAWN: NVK	DATE: JUN 5/92	SHEET: 2 OF 5



LEFT CHANNEL SHOWN

CORRESPONDING PART NAMES ON RIGHT CHANNEL: R2XX, C2XX, D2XX, etc..

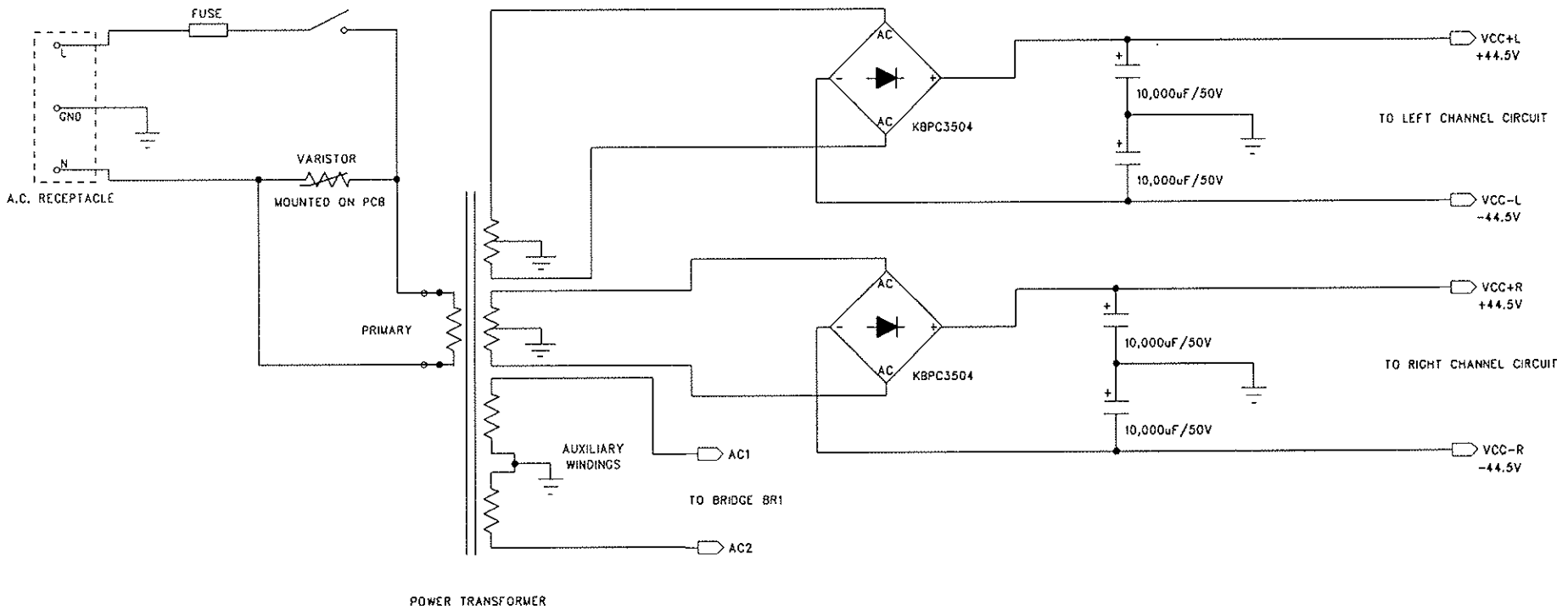
COMPANY: CLASSE AUDIO INC.		
TITLE: CLASSE 70 POWER AMPLIFIER		
DESC: REG/BAL INPUT BUFFER		
DRAWING NO: 70IP		
DRAWN: HVK	DATE: JUNE 8/92	SHEET: 3 OF 5



COMPANY:	CLASSE AUDIO INC.
TITLE:	CLASSE 70 POWER AMPLIFIER
DESC:	OUTPUT SHORT CIRCUIT PROTECTION
DRAWING NO:	70DC2
DRAWN:	NVK
DATE:	APR 14/93
SHEET:	4 OF 5

FUSE VALUES:

100-120VAC: 5 AMP SLO-BLO
 220-240VAC: 3 AMP SLO-BLO



COMPANY: CLASSE AUDIO INC.		
TITLE: CLASSE 70 POWER AMPLIFIER		
DESC: MAIN POWER SUPPLY		
DRAWING NO: 70PS		
DRAWN: NVK	DATE: JUNE 8/92	SHEET: 5 OF 5