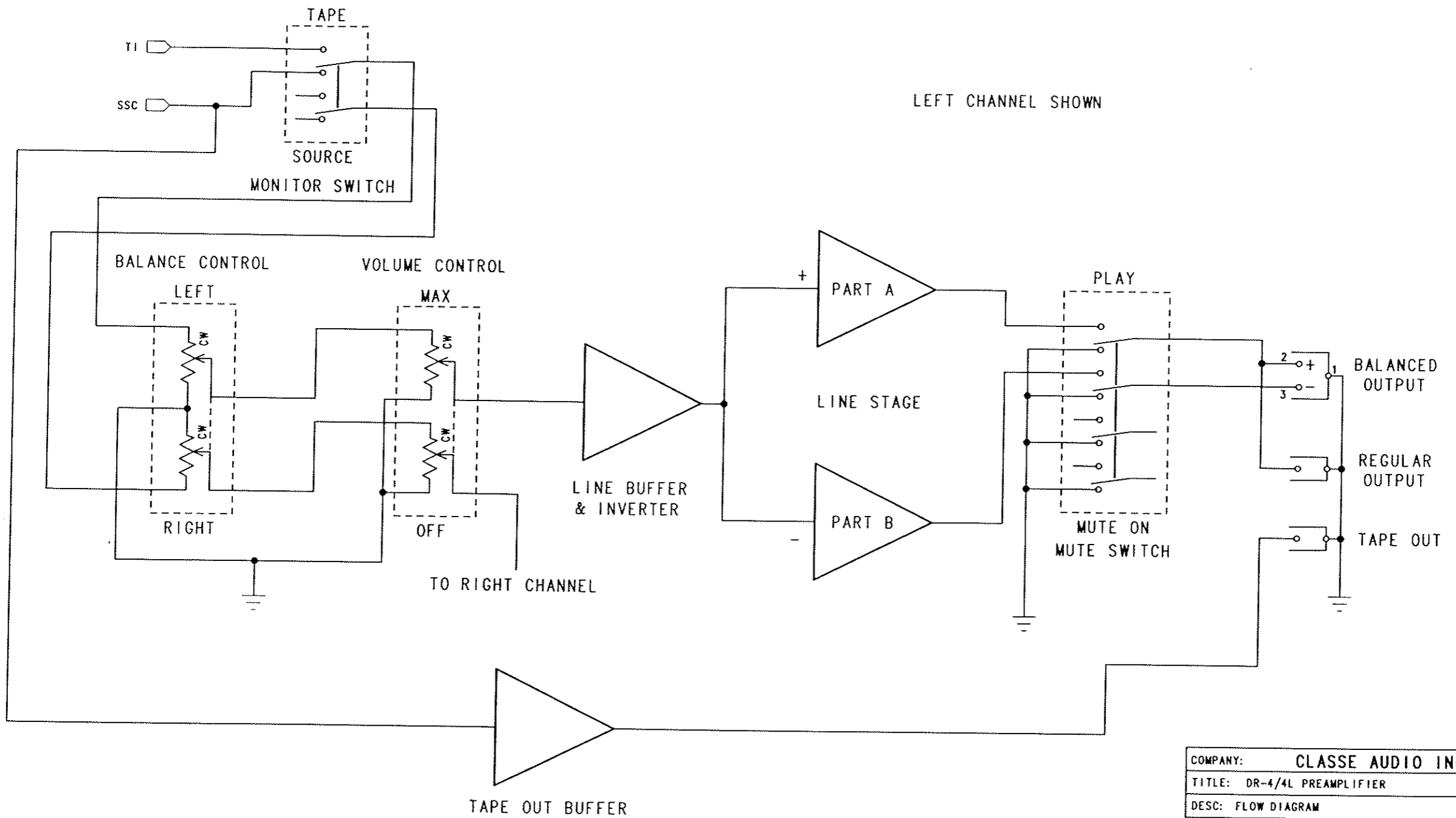
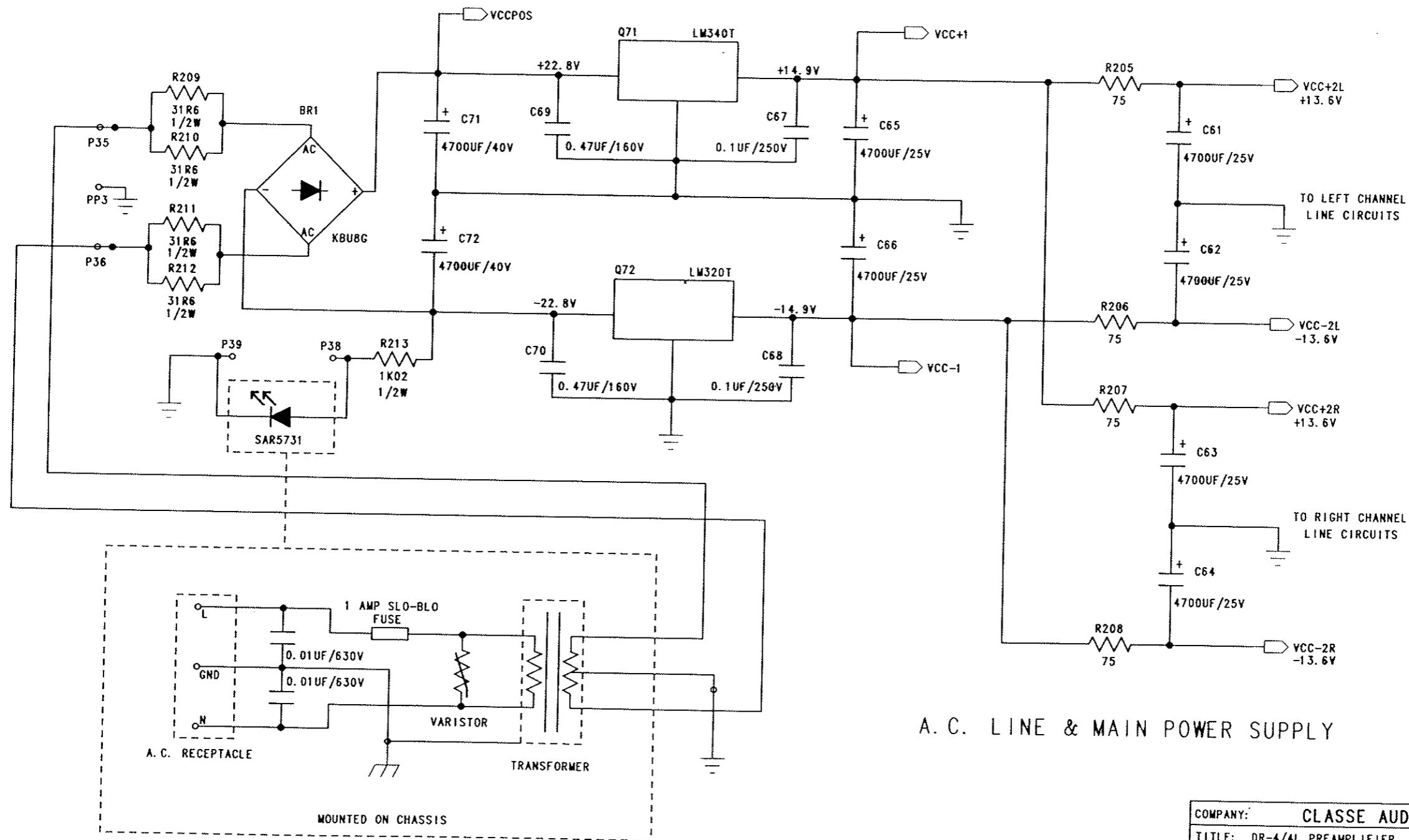


COMPANY: CLASSE AUDIO INC.		
TITLE: DR-4/4L PREAMPLIFIER		
DESC: FLOW DIAGRAM		
DRAWING NO: 4FD-1		
DRAWN: DJR	DATE: MAR. 7/91.	SHEET: 1 OF 2

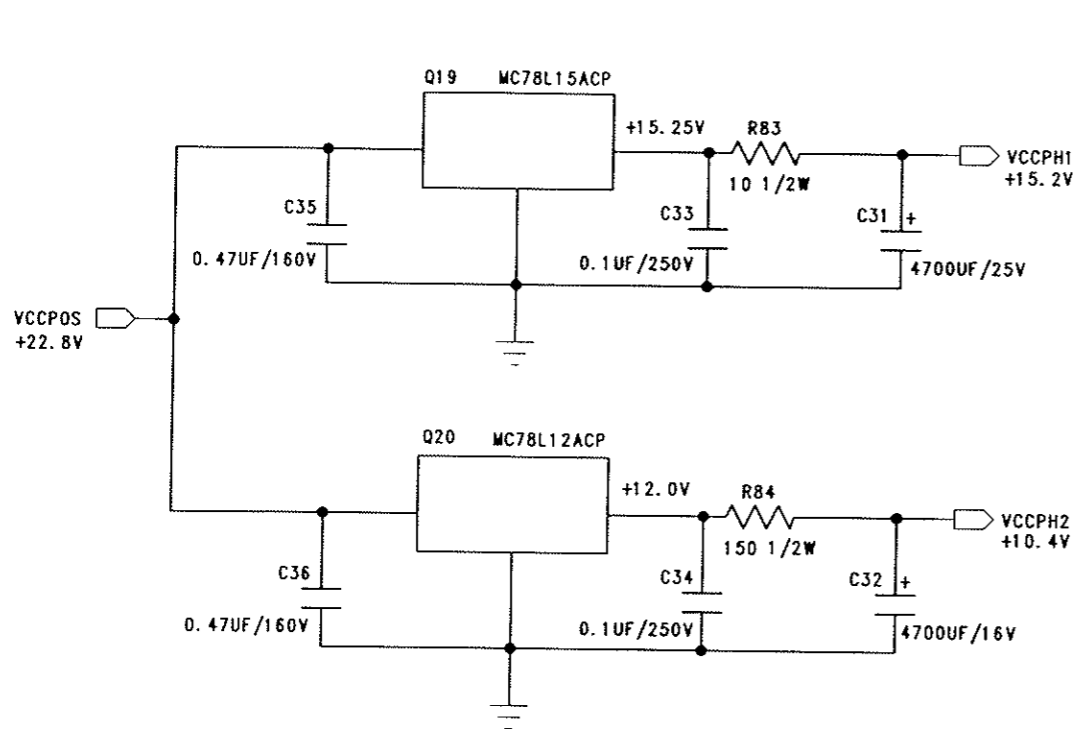


COMPANY:		CLASSE AUDIO INC.	
TITLE:		DR-4/4L PREAMPLIFIER	
DESC:		FLOW DIAGRAM	
DRAWING NO:		4FD-2	
DRAWN:	DJR	DATE:	MAR. 8/91.
		SHEET:	2 OF 2

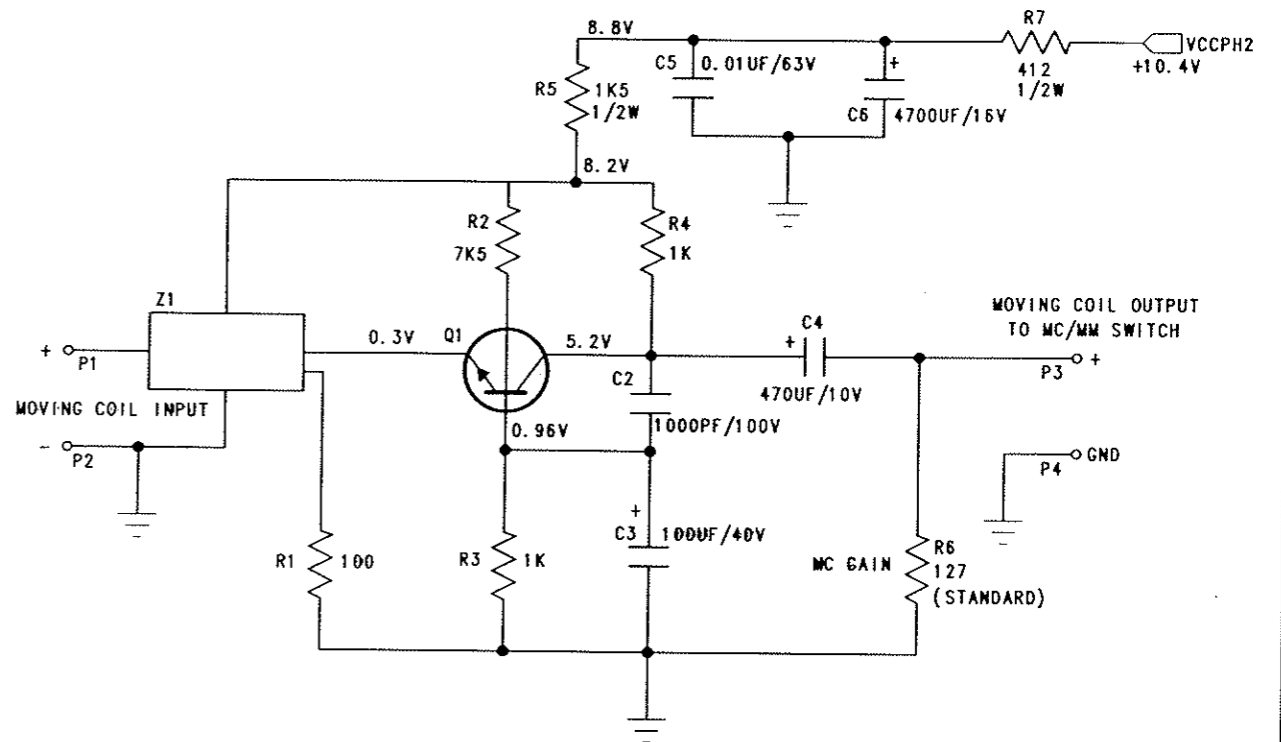


A. C. LINE & MAIN POWER SUPPLY

COMPANY: CLASSE AUDIO INC.		
TITLE: DR-4/4L PREAMPLIFIER		
DESC: A. C. LINE & MAIN POWER SUPPLY		
DRAWING NO: 40010R2-1		
DRAWN: DJR	DATE: JAN. 29/91	SHEET: 1 OF 5



PHONO POWER SUPPLY (BOTH CH.)



MOVING COIL PHONO (LEFT CH.)

REVISIONS:

PART NUMBER	WAS	IS	DATE
C2	3300PF/63V	1000PF/100V	JUL. 4/91.

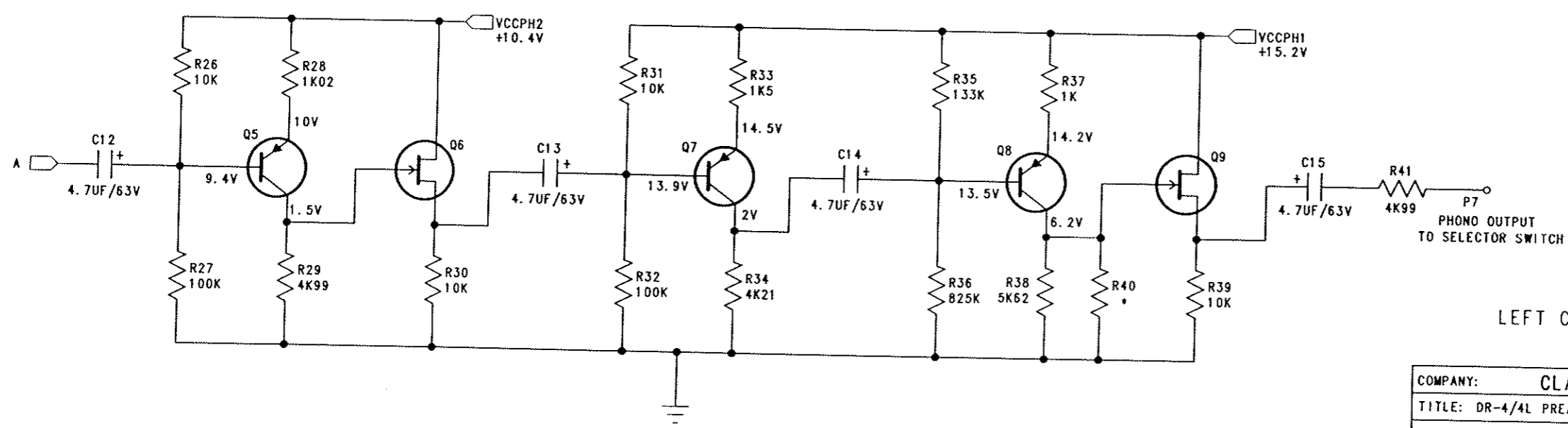
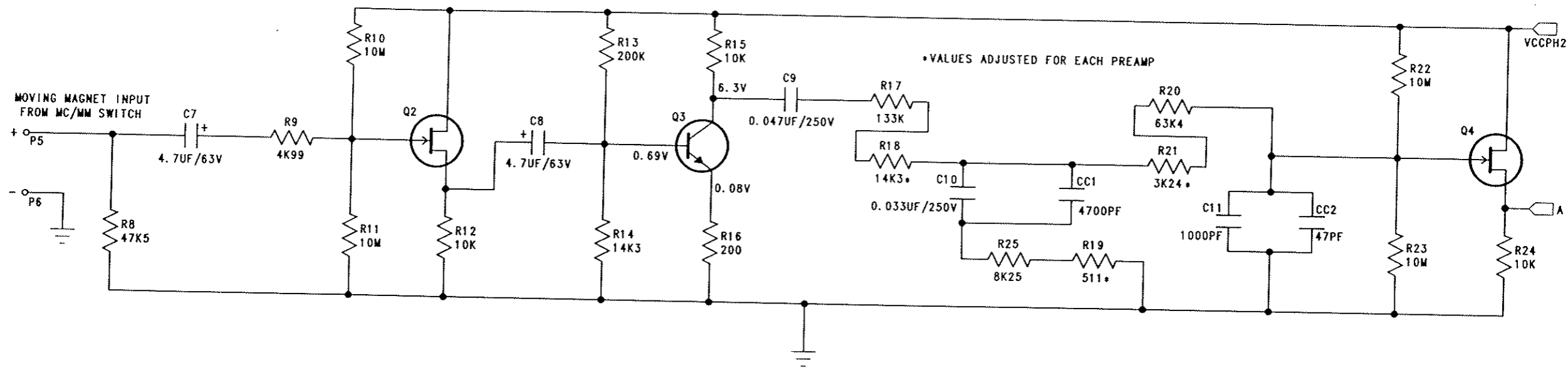
COMPANY: CLASSE AUDIO INC.

TITLE: DR-4/4L PREAMPLIFIER

DESC: PHONO POWER SUPPLY; MOVING COIL PHONO

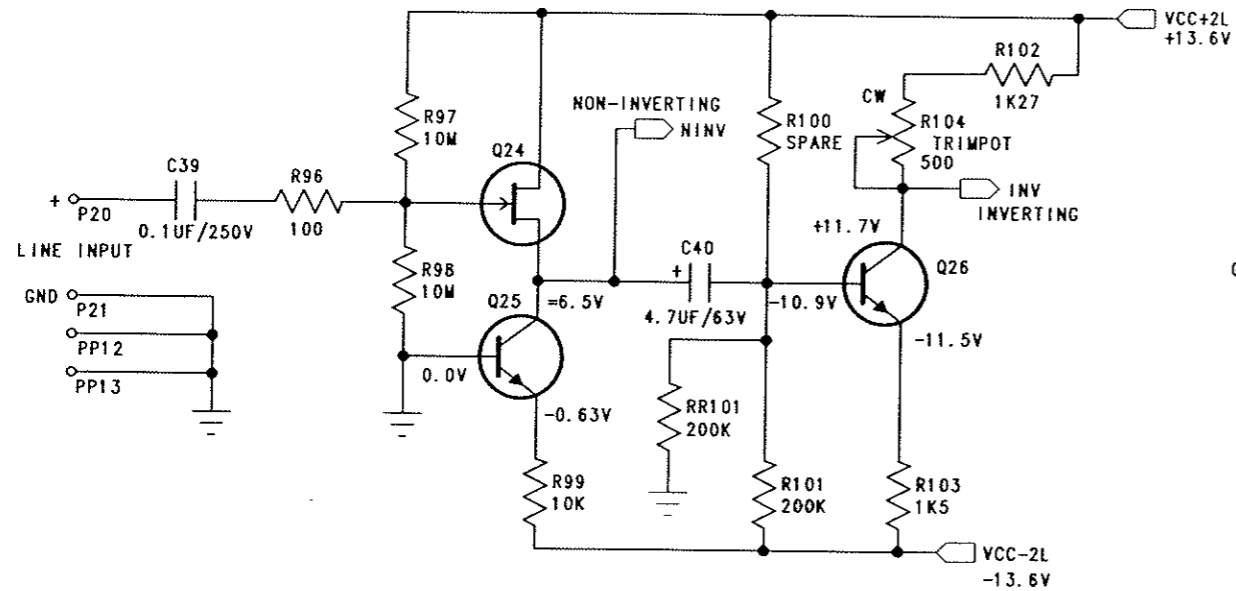
DRAWING NO: 40010R2-2

DRAWN: DJR DATE: JAN. 29/91 SHEET: 2 OF 5

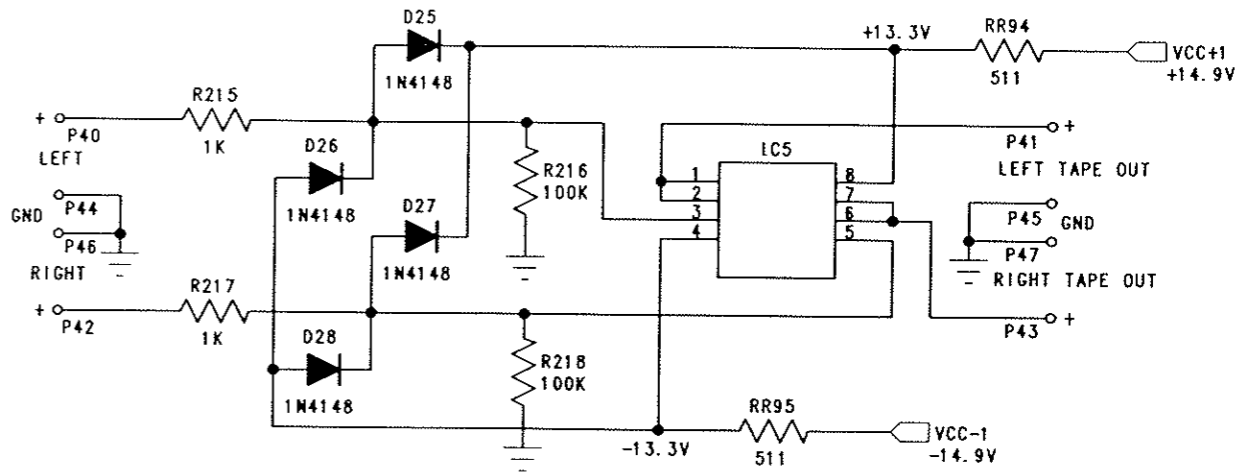


LEFT CHANNEL SHOWN

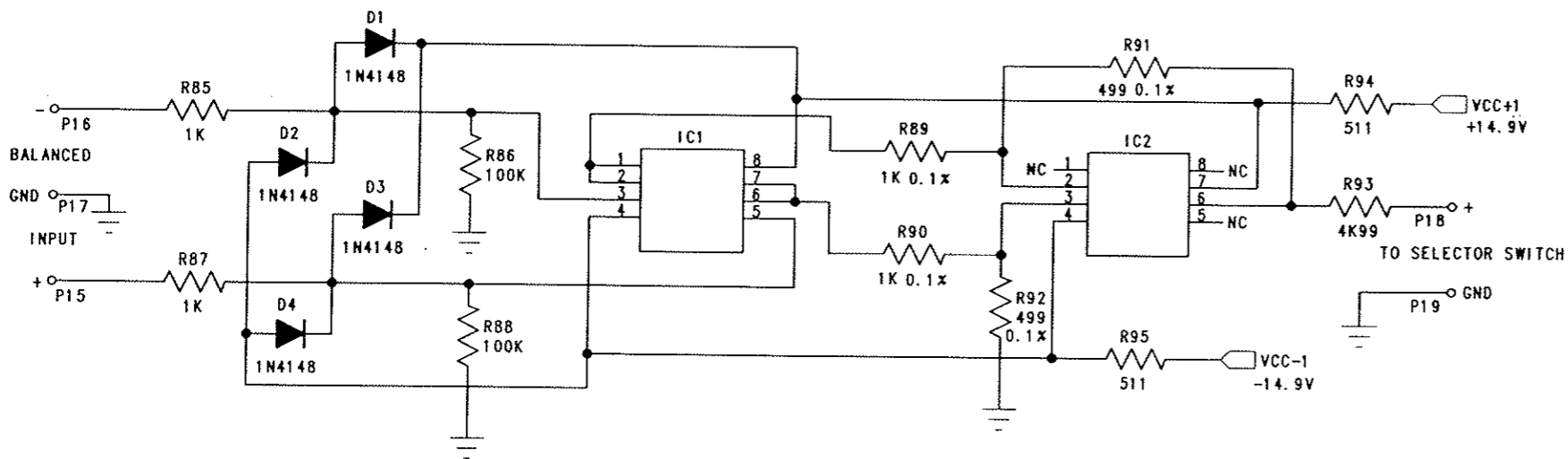
COMPANY:	CLASSE AUDIO INC.		
TITLE:	DR-4/4L PREAMPLIFIER		
DESC:	MOVING MAGNET PHONO		
DRAWING NO:	40010R2-3		
DRAWN:	DJR	DATE:	JAN. 29/91. SHEET: 3 OF 5



LINE BUFFER & INVERTER (LEFT CH.)



TAPE OUT BUFFER (BOTH CH.)

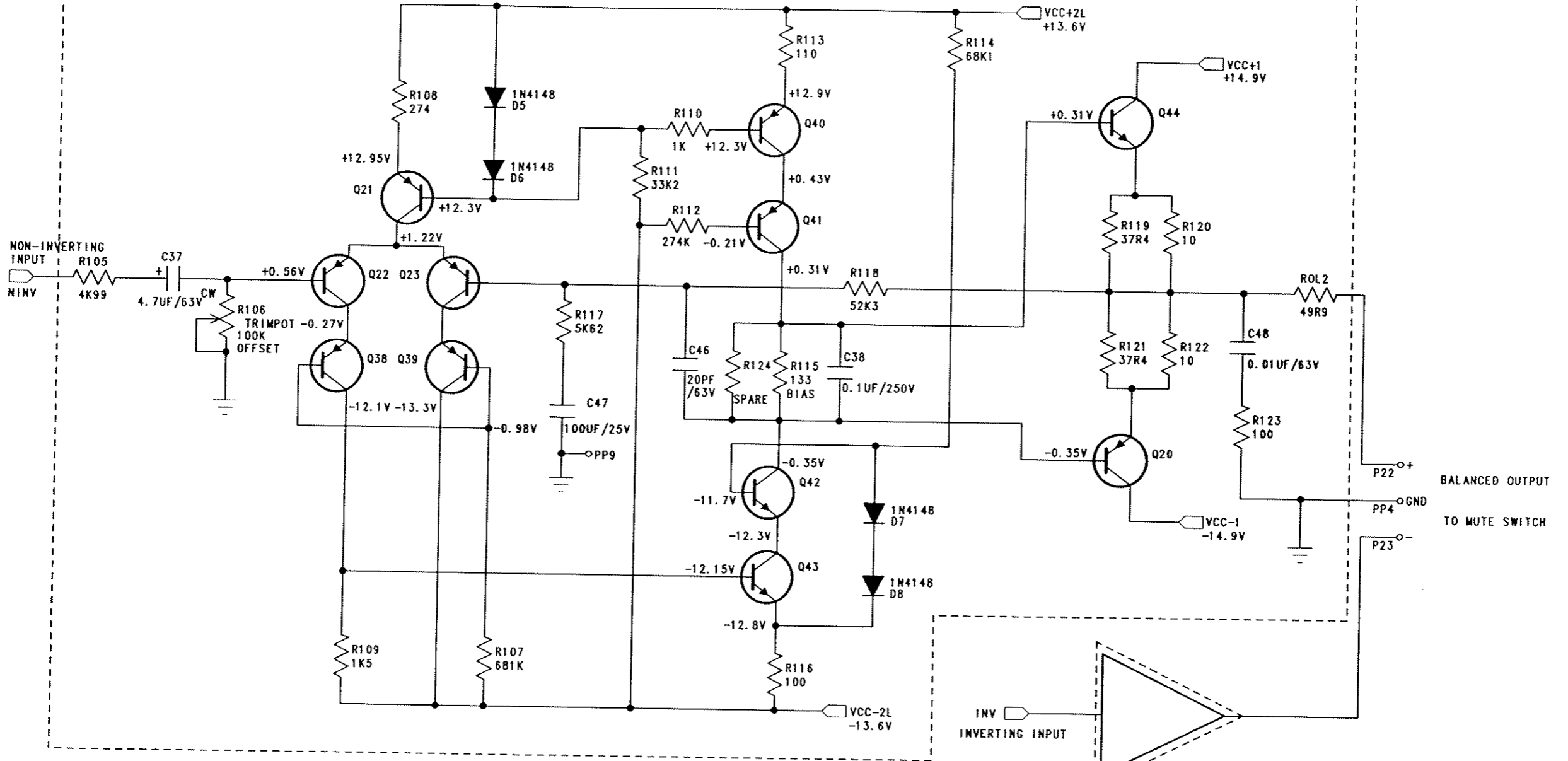


BALANCED INPUT (LEFT CH.)

REVISIONS:

PART NUMBER	WAS	IS	DATE
R100	100K	SPARE	JUL. 4/91
R101	10K	200K	JUL. 4/91
RR101	SPARE	200K	JUL. 4/91

COMPANY: CLASSE AUDIO INC.			
TITLE: DR-4/4L PREAMPLIFIER			
DESC: LINE BUFFER & INVERTER; BALANCED INPUT; TAPE OUT BUFFER			
DRAWING NO: 40010R2-4			
DRAWN: DJR	DATE: JAN. 29/91	SHEET: 4 OF 5	



LEFT CHANNEL SHOWN

PART B
(IDENTICAL TO PART A)

COMPANY:		CLASSE AUDIO INC.	
TITLE:		DR-4/4L PREAMPLIFIER	
DESC:		LINE STAGE	
DRAWING NO:		40010R2-5	
DRAWN:	DJR	DATE:	JAN. 29/91
		SHEET: 5 OF 5	