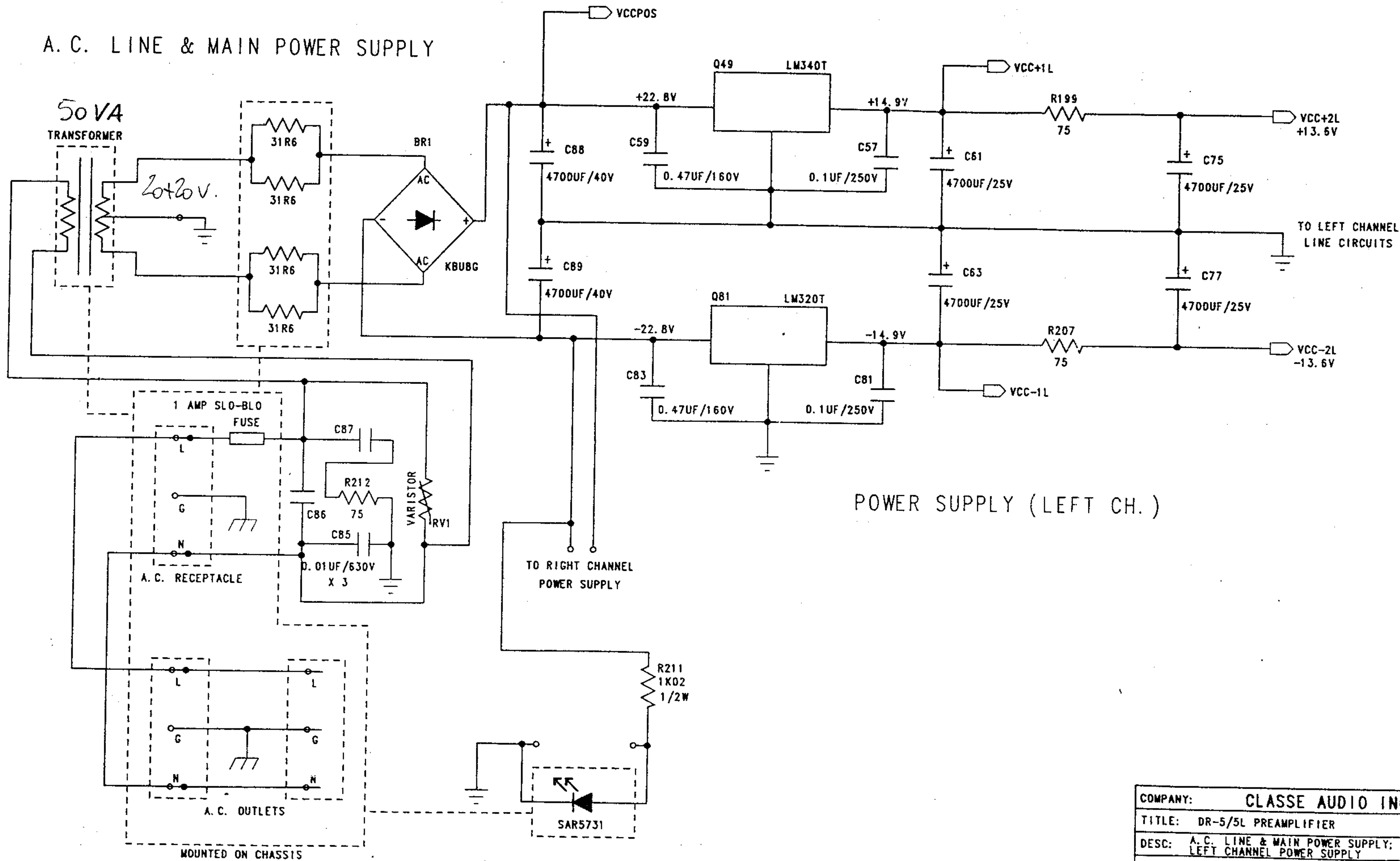
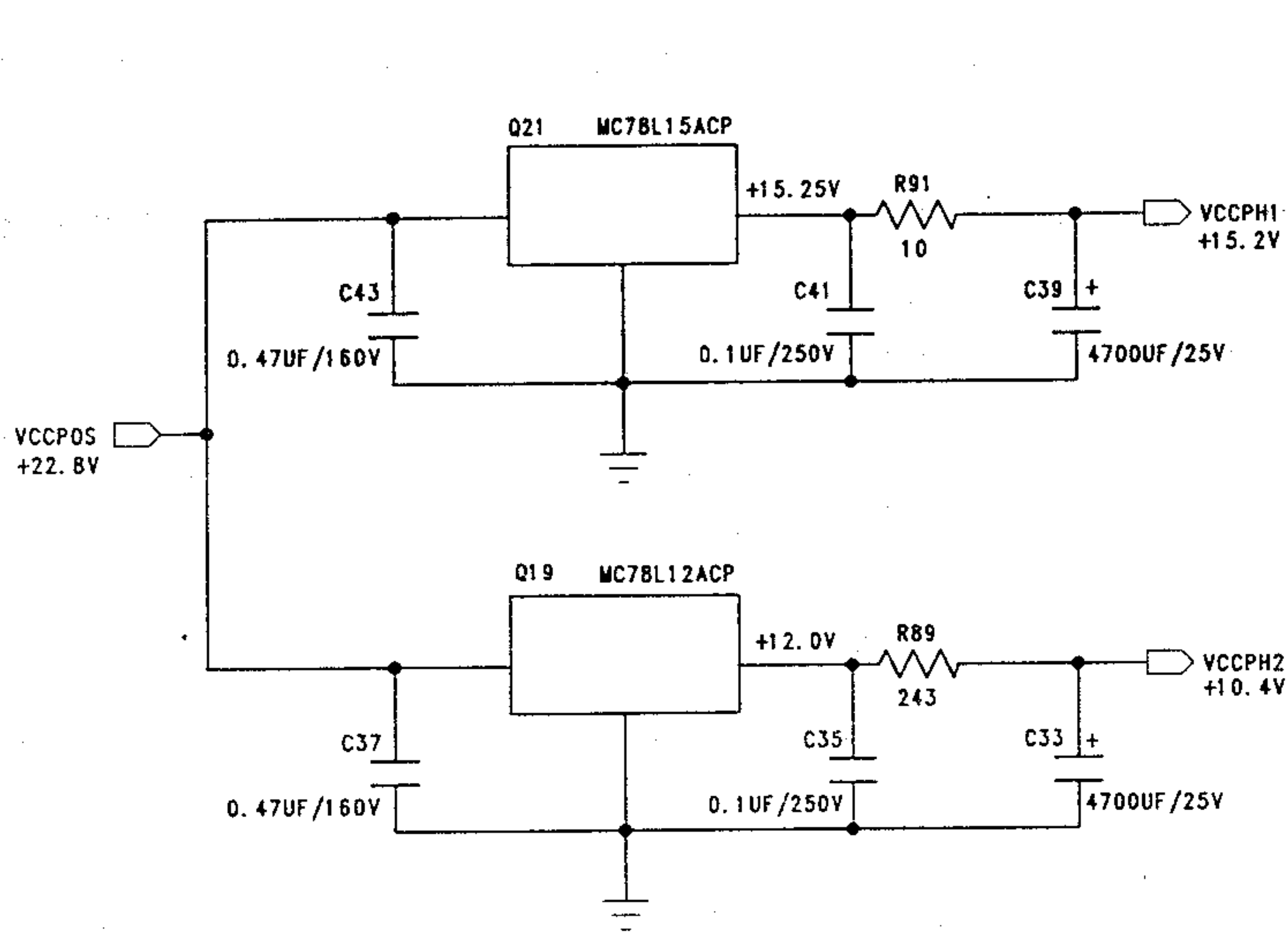


A. C. LINE & MAIN POWER SUPPLY

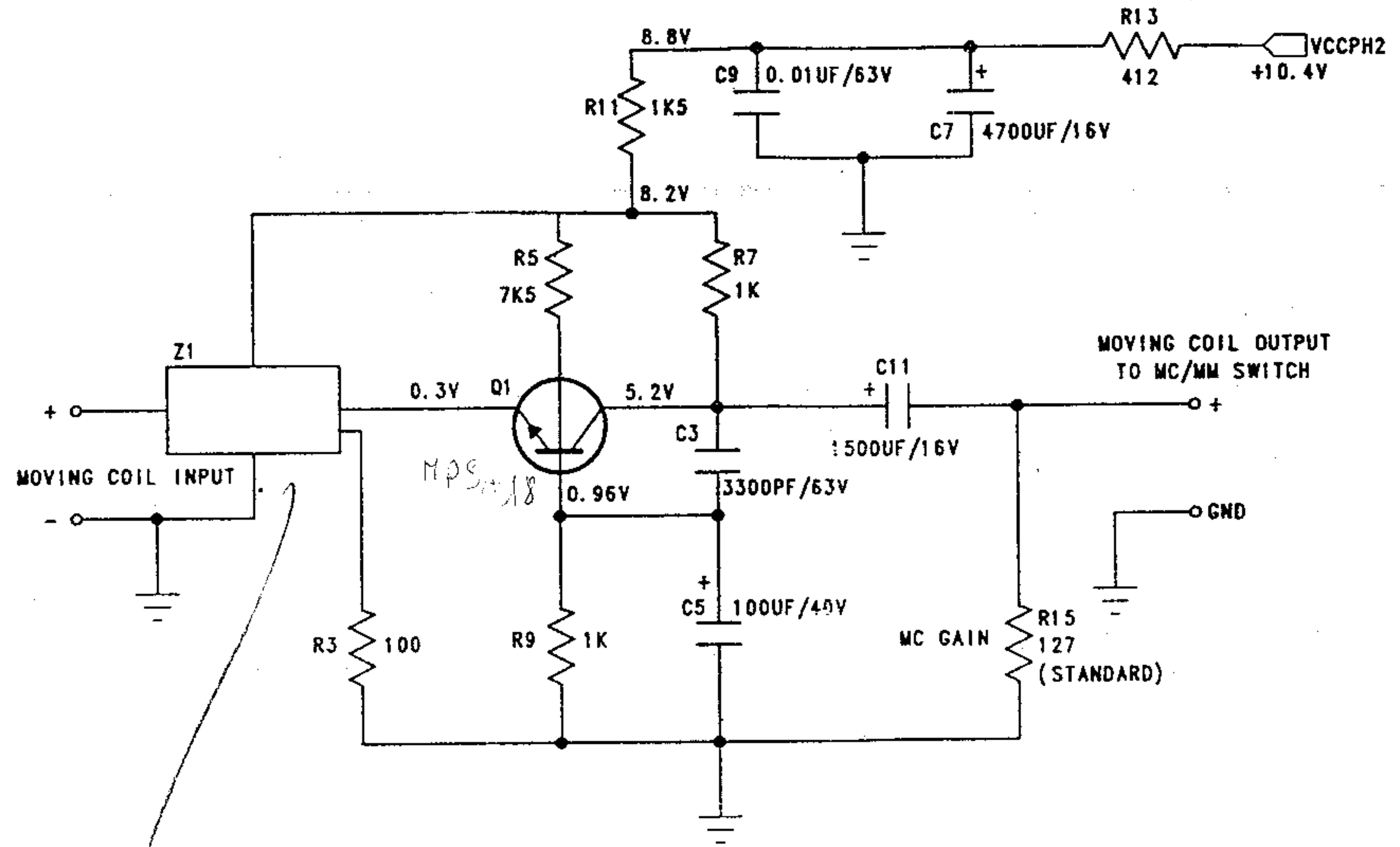


POWER SUPPLY (LEFT CH.)

COMPANY:	CLASSE AUDIO INC.
TITLE:	DR-5/5L PREAMPLIFIER
DESC:	A.C. LINE & MAIN POWER SUPPLY; LEFT CHANNEL POWER SUPPLY
DRAWING NO:	DR-5/6-1R3-1
DRAWN:	DJR
DATE:	FEB 15/01
SHEET:	1 OF 5



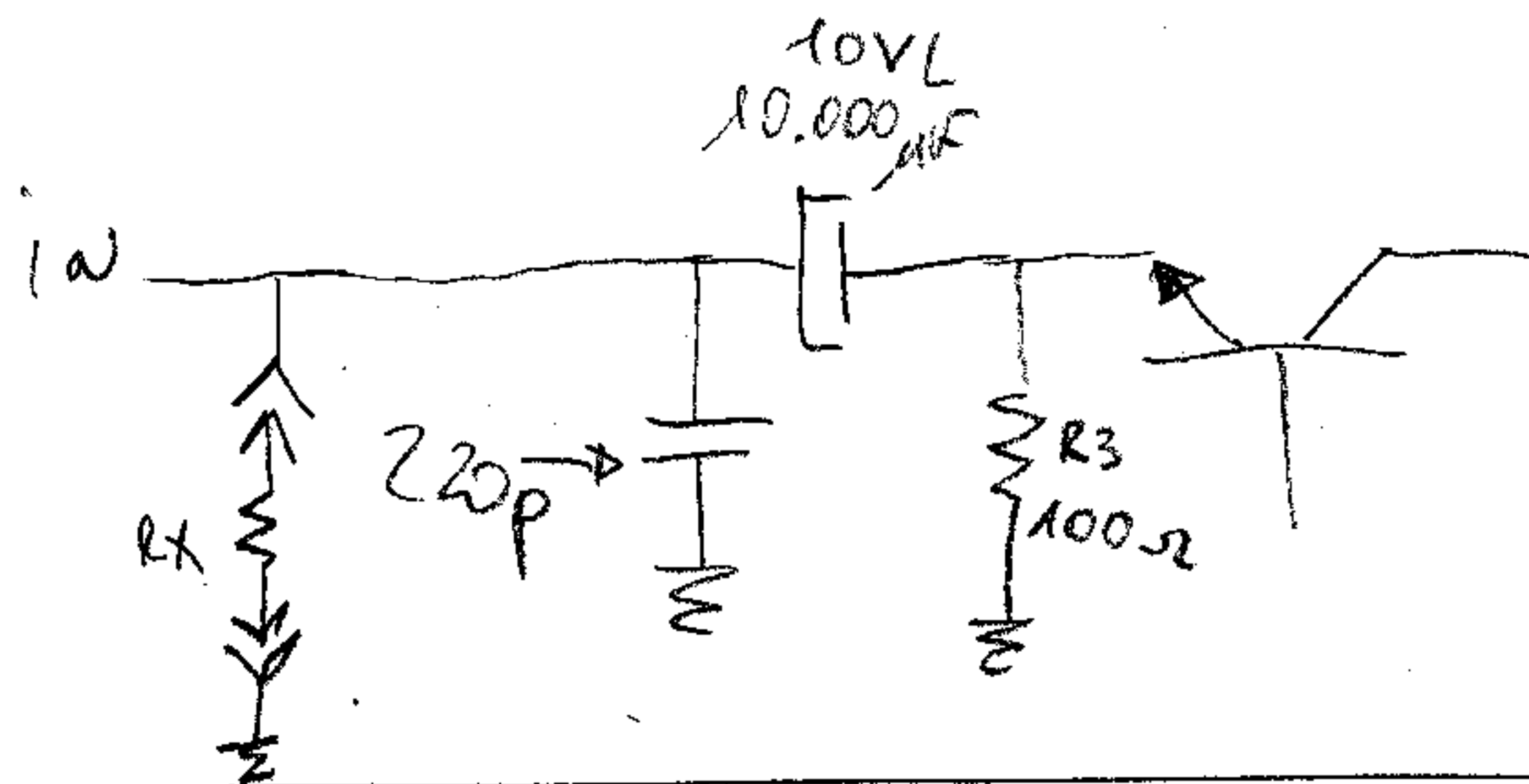
PHONO POWER SUPPLY (LEFT CH.)



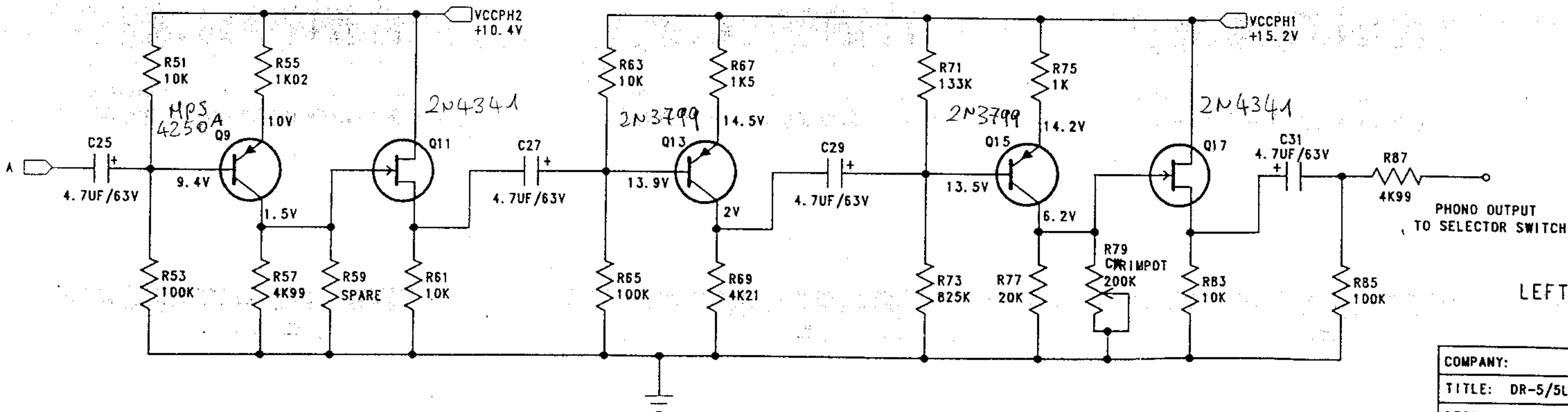
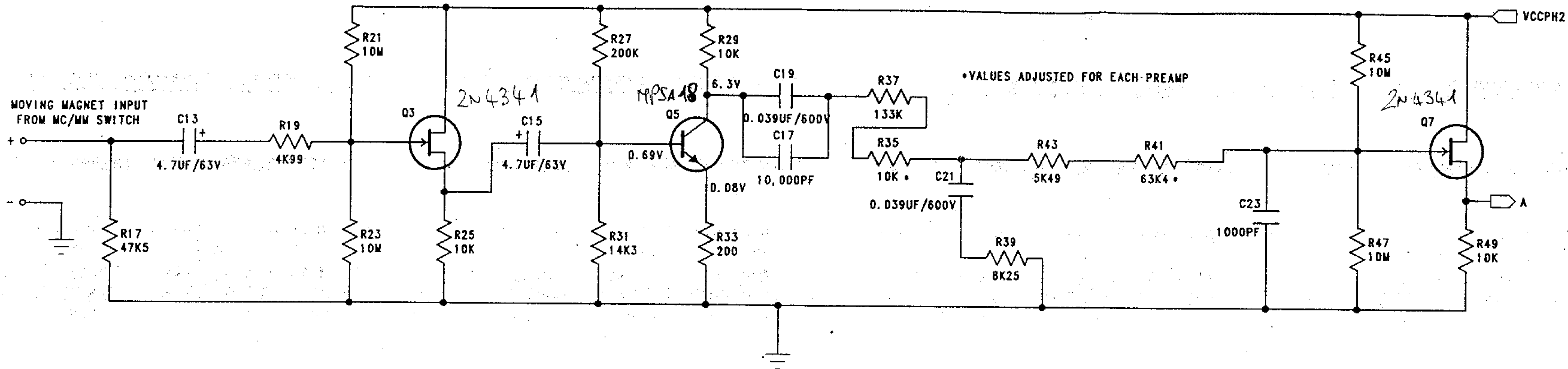
MOVING COIL PHONO (LEFT CH.)

GAIN circa 18dB

INPUT IMPEDANCE circa 5Ω

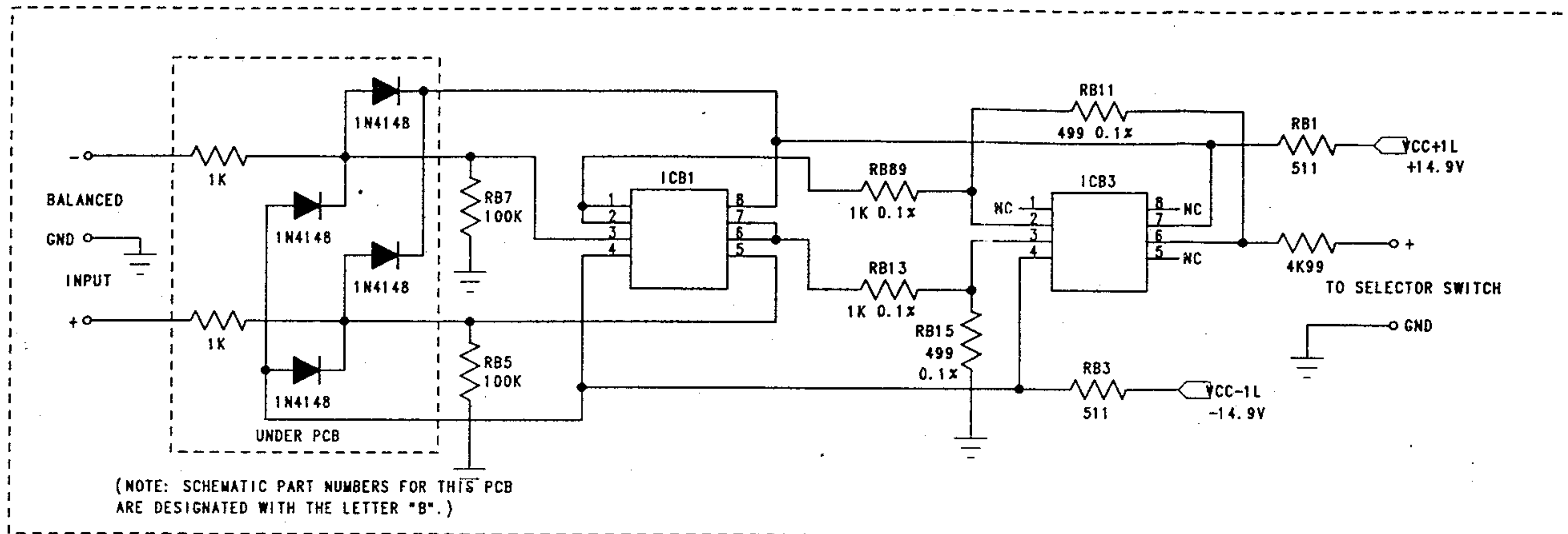


COMPANY:		CLASSE AUDIO INC.	
TITLE:		DR-5/5L PREAMPLIFIER	
DESC:		PHONO POWER SUPPLY; MOVING COIL PHONO	
DRAWING NO:		DR-5/6-1R3-2	
DRAWN:	DJR	DATE:	FEB. 15/91
		SHEET:	2 OF 5

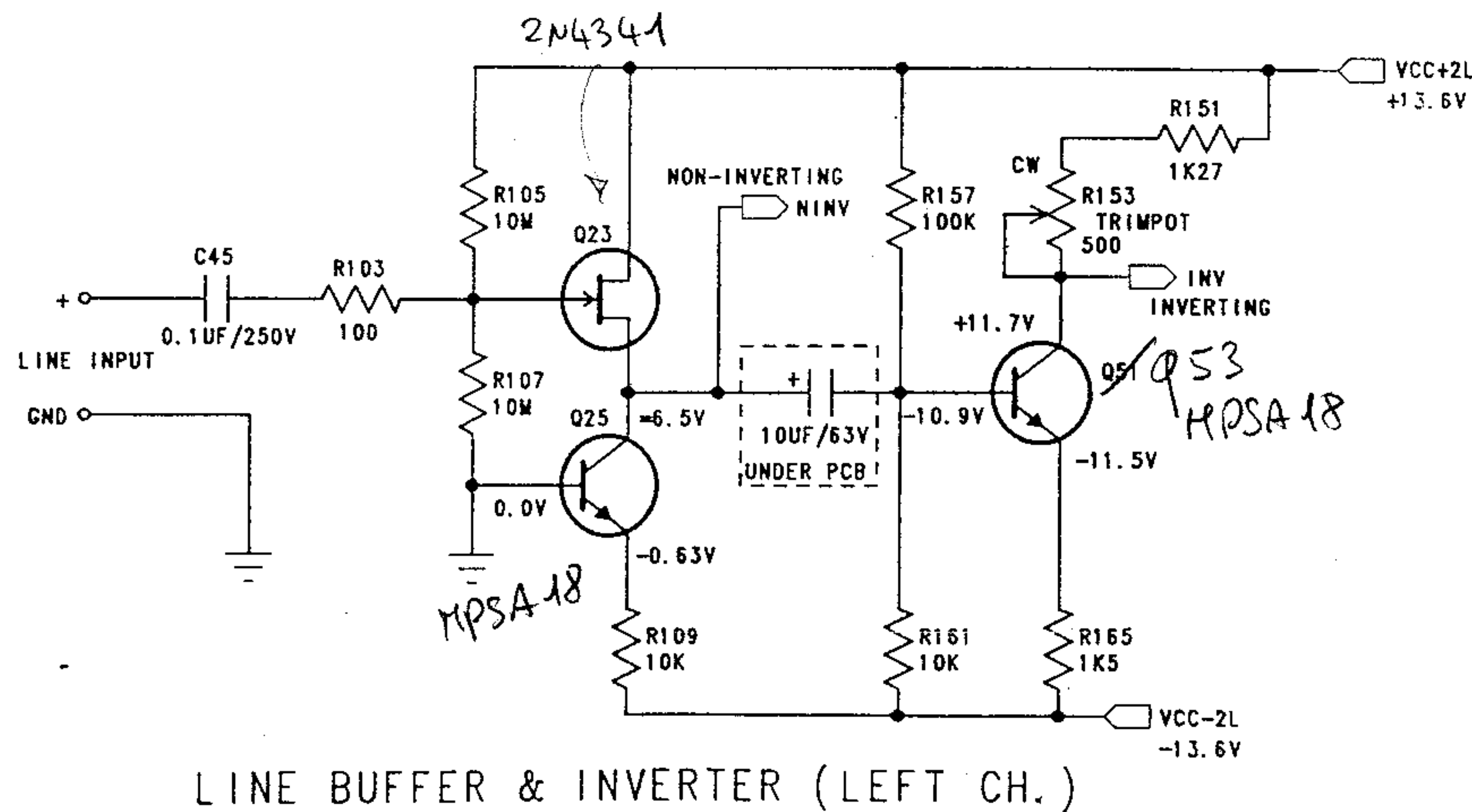


LEFT CHANNEL SHOWN

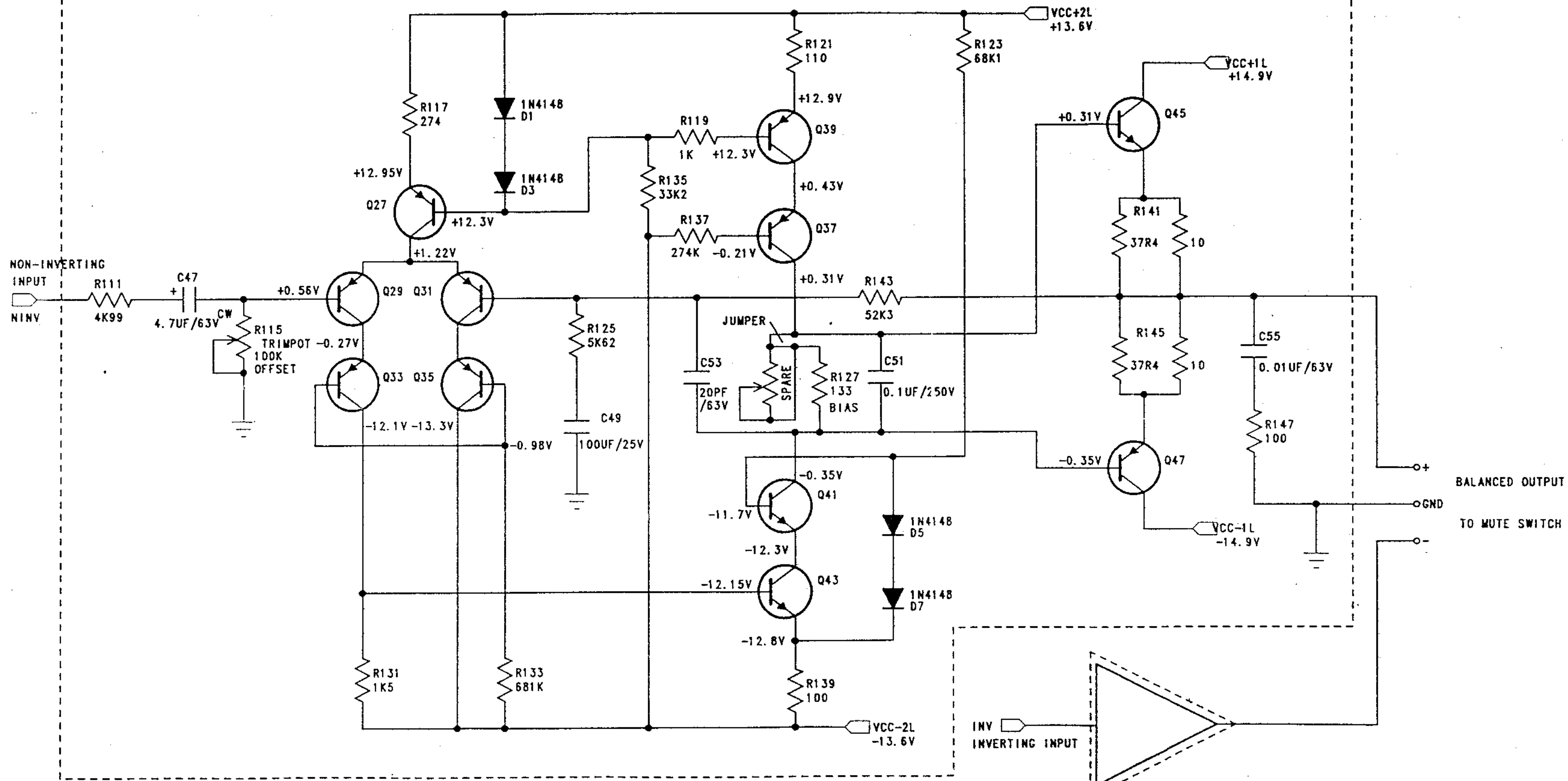
COMPANY: CLASSE AUDIO INC.		
TITLE: DR-5/5L PREAMPLIFIER		
DESC: MOVING MAGNET PHONO		
DRAWING NO: DR-5/6-1R3-3		
DRAWN: DJR	DATE: FEB. 15/91	SHEET: 3 OF 5



BALANCED INPUT (LEFT CH.) (UNDERNEATH MAIN PCB)

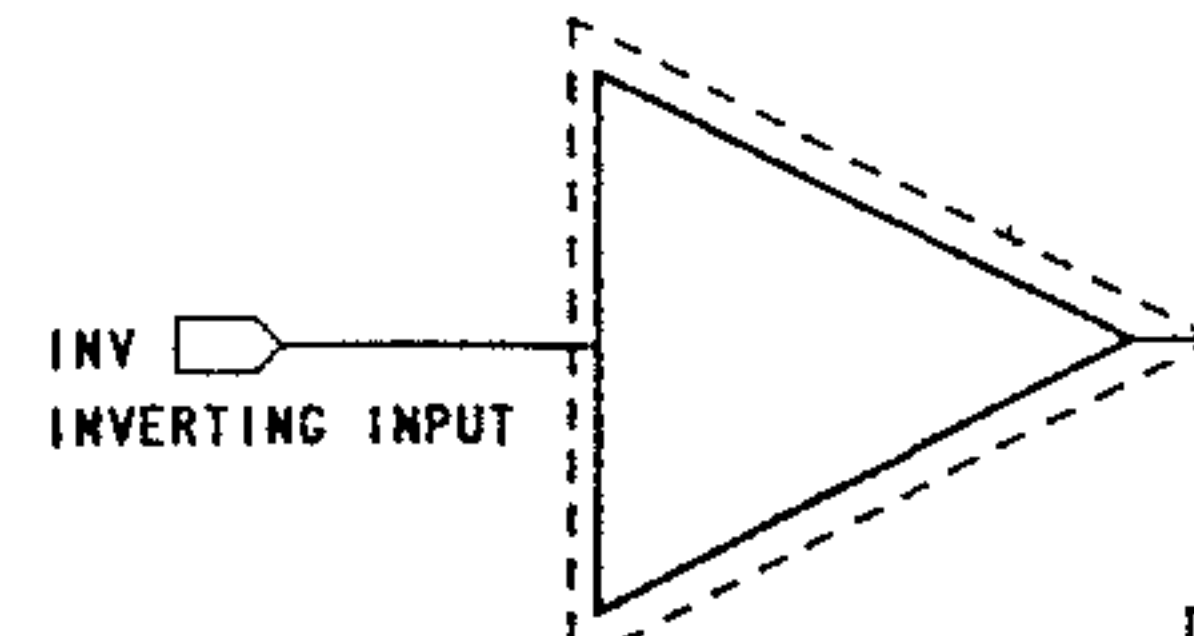


COMPANY: CLASSE AUDIO INC.		
TITLE: DR-5/5L PREAMPLIFIER		
DESC: BALANCED INPUT; LINE BUFFER & INVERTER		
DRAWING NO: DR-5/6-1R3-4		
DRAWN: DJR	DATE: FEB. 15/91	SHEET: 4 OF 5



PART A

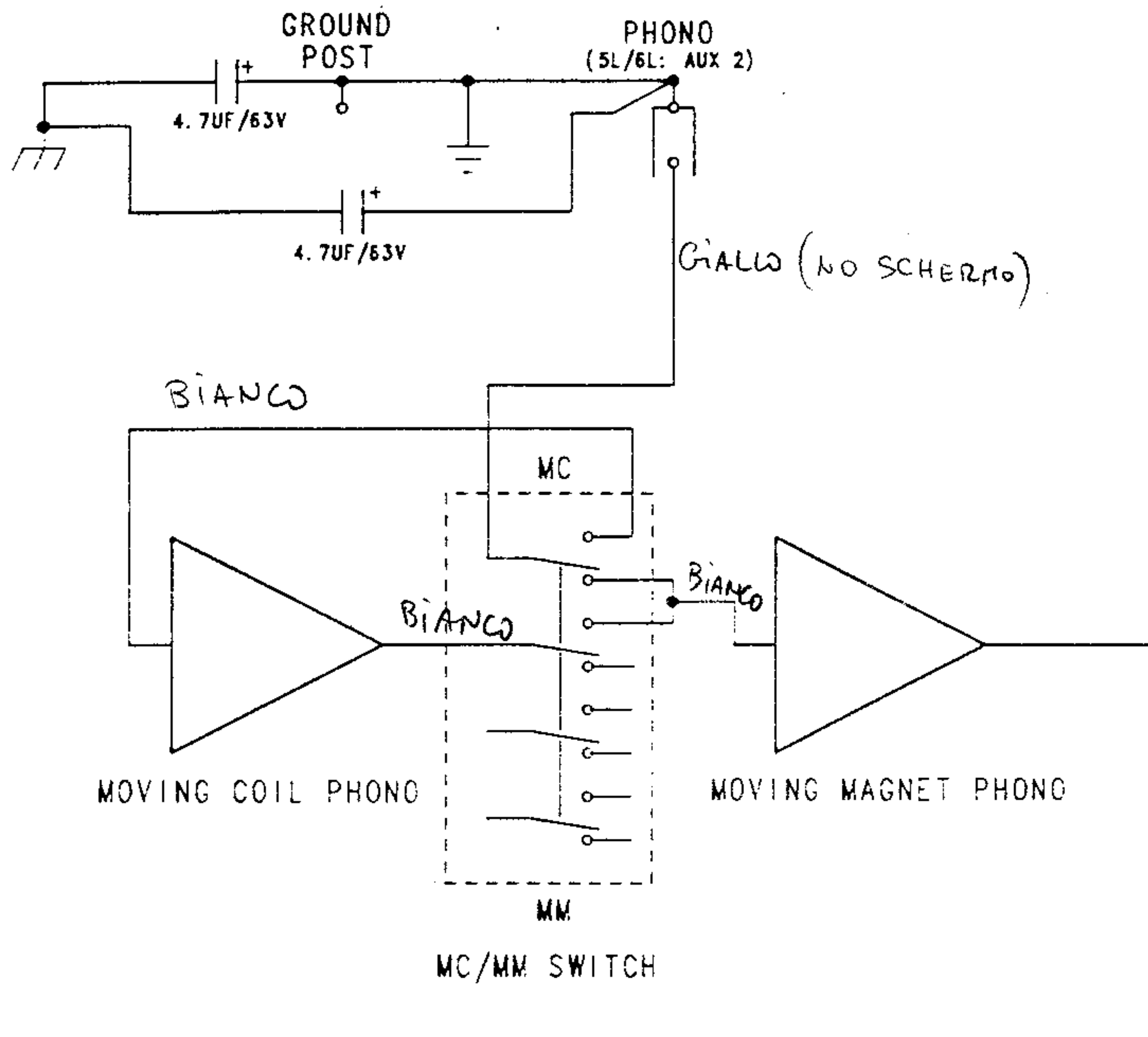
LEFT CHANNEL SHOWN



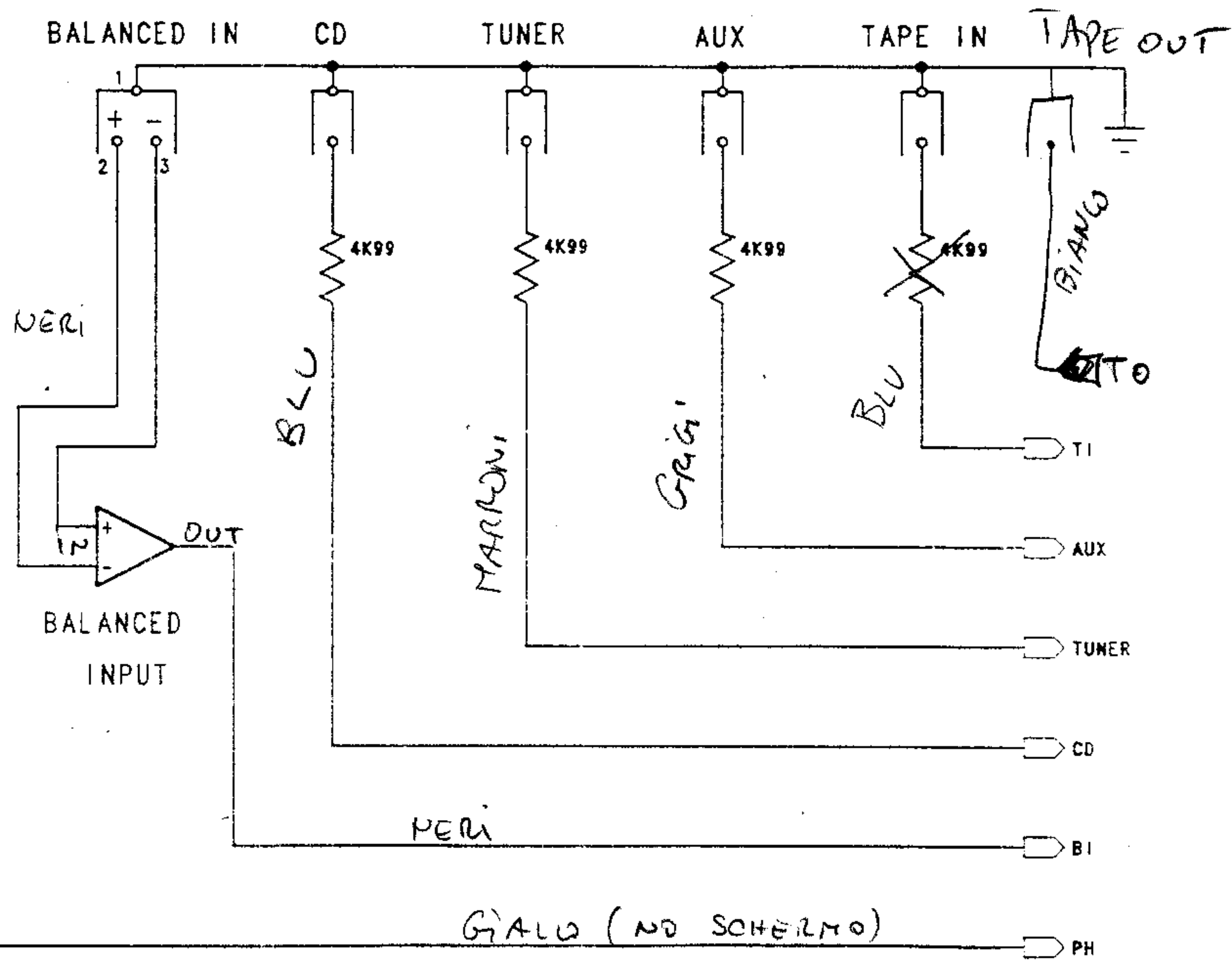
PART B

(IDENTICAL TO PART A)

COMPANY: CLASSE AUDIO INC.		
TITLE: DR-5/5L PREAMPLIFIER		
DESC: LINE STAGE		
DRAWING NO: DR-5/6-1R3-5		
DRAWN: DJR	DATE: FEB.15/91	SHEET: 5 0



LEFT CHANNEL SHOWN



COMPANY:		CLASSE AUDIO INC.	
TITLE:		DR-5/5L/6/6L PREAMPLIFIER	
DESC:		FLOW DIAGRAM	
DRAWING NO:		6FD-1	
DRAWN:	DJR	DATE:	MAR. 8/91.
		SHEET:	1 OF 3

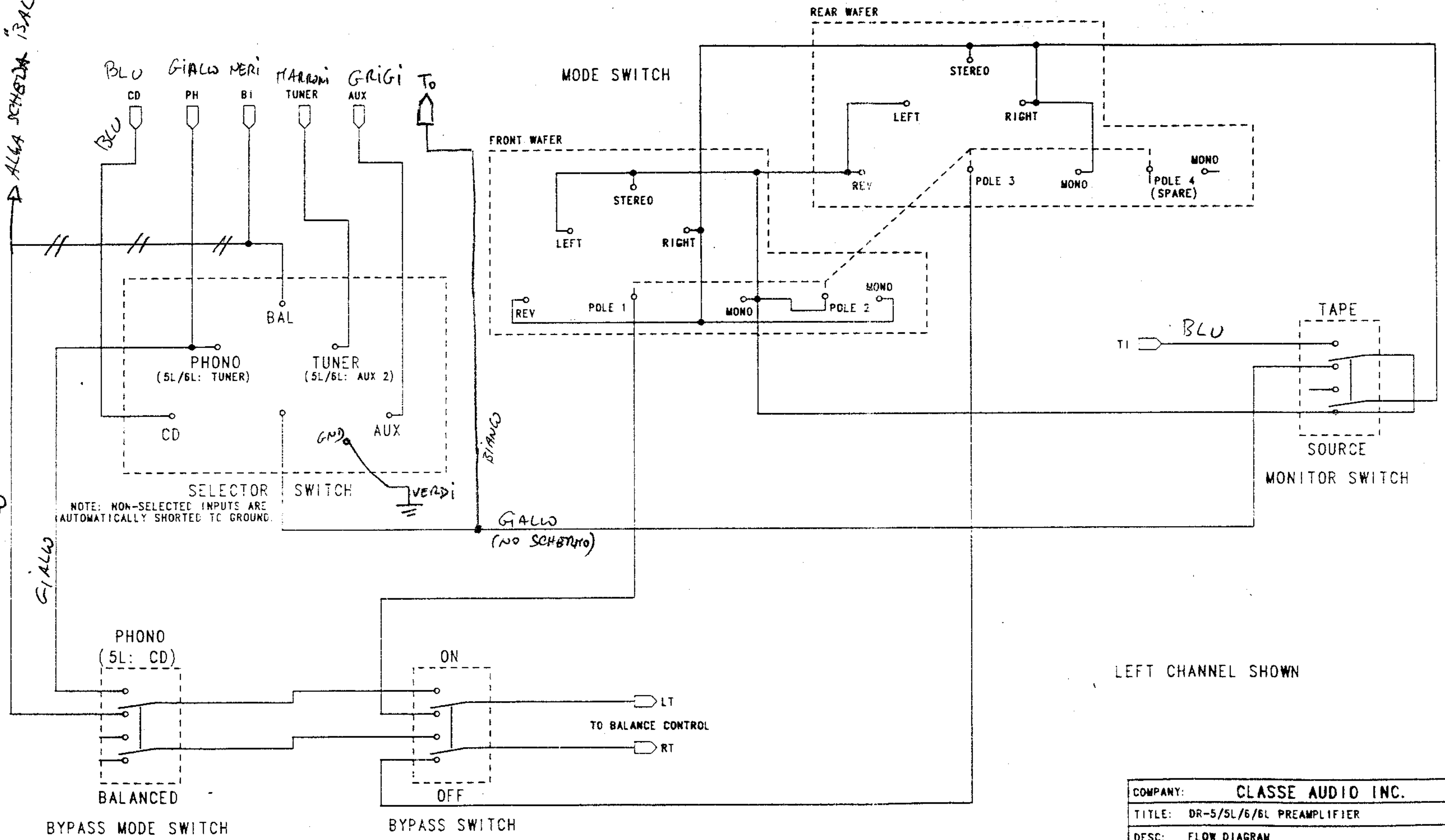
ALGA SCHERZA BALCON

BIANCO

GIALLO

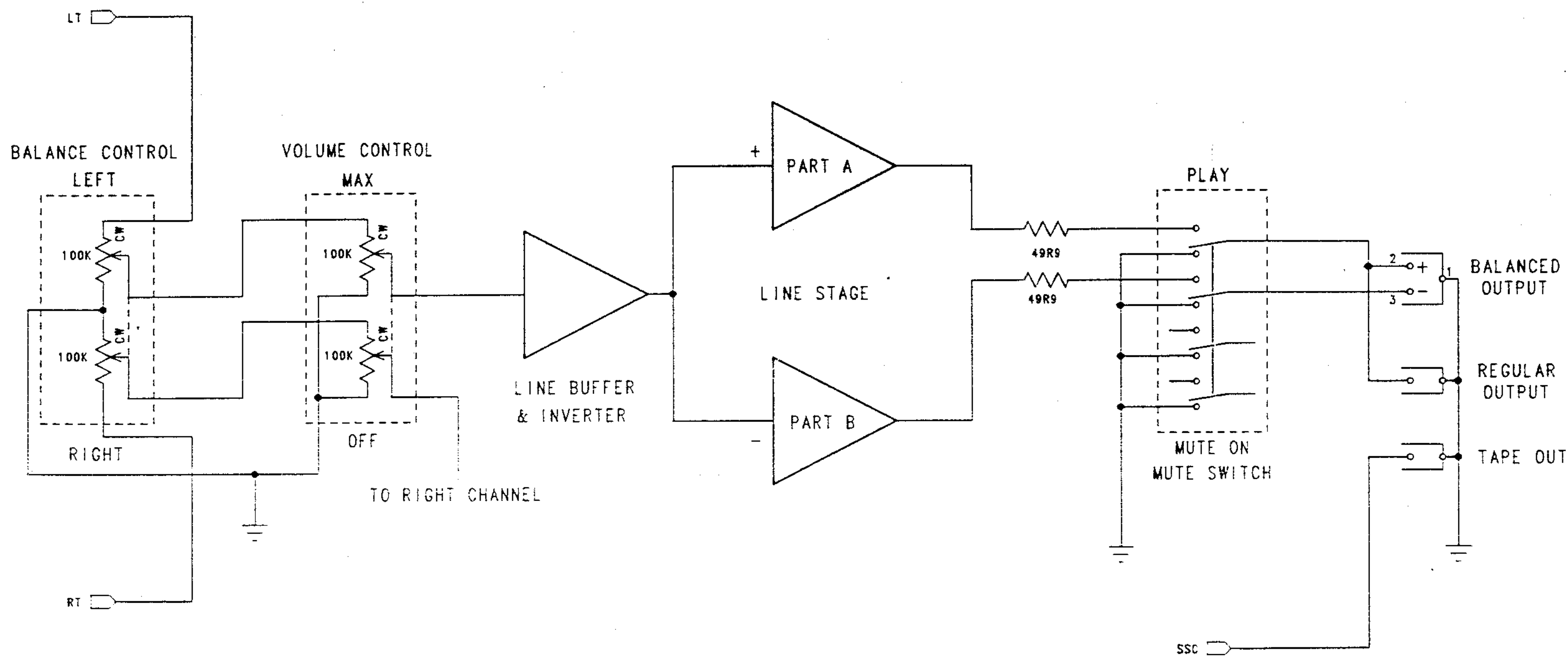
BIANCO

GIALLO (NO SCHEMATA)



LEFT CHANNEL SHOWN

COMPANY:		CLASSE AUDIO INC.	
TITLE:		DR-5/5L/6/6L PREAMPLIFIER	
DESC:		FLOW DIAGRAM	
DRAWING NO:		6FD-2	
DRAWN:	DJR	DATE:	MAR. 8/91.
		SHEET:	2 OF 3



LEFT CHANNEL SHOWN

COMPANY: CLASSE AUDIO INC.		
TITLE: DR-5/5L/6/6L PREAMPLIFIER		
DESC: FLOW DIAGRAM		
DRAWING NO: 6FD-3		
DRAWN: DJR	DATE: MAR. 8/91.	SHEET: 3 OF 3