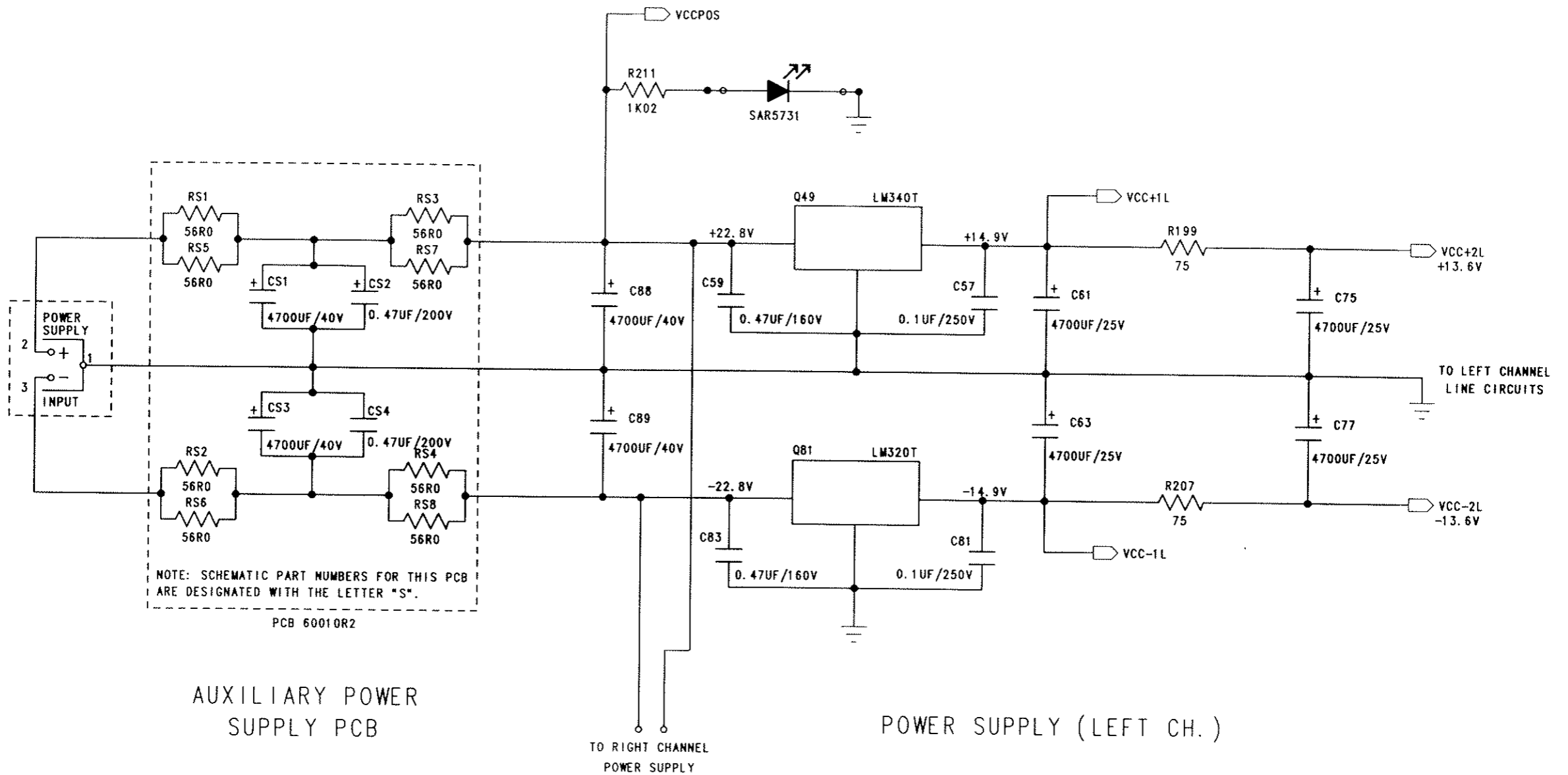
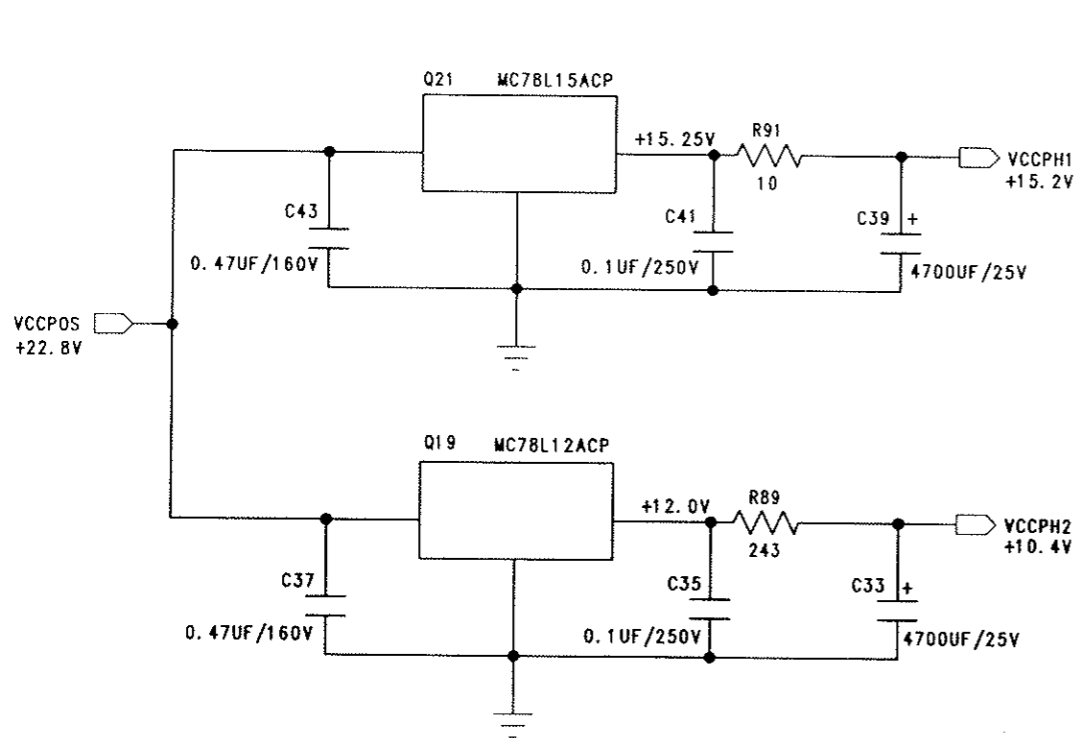


REMOTE POWER SUPPLY

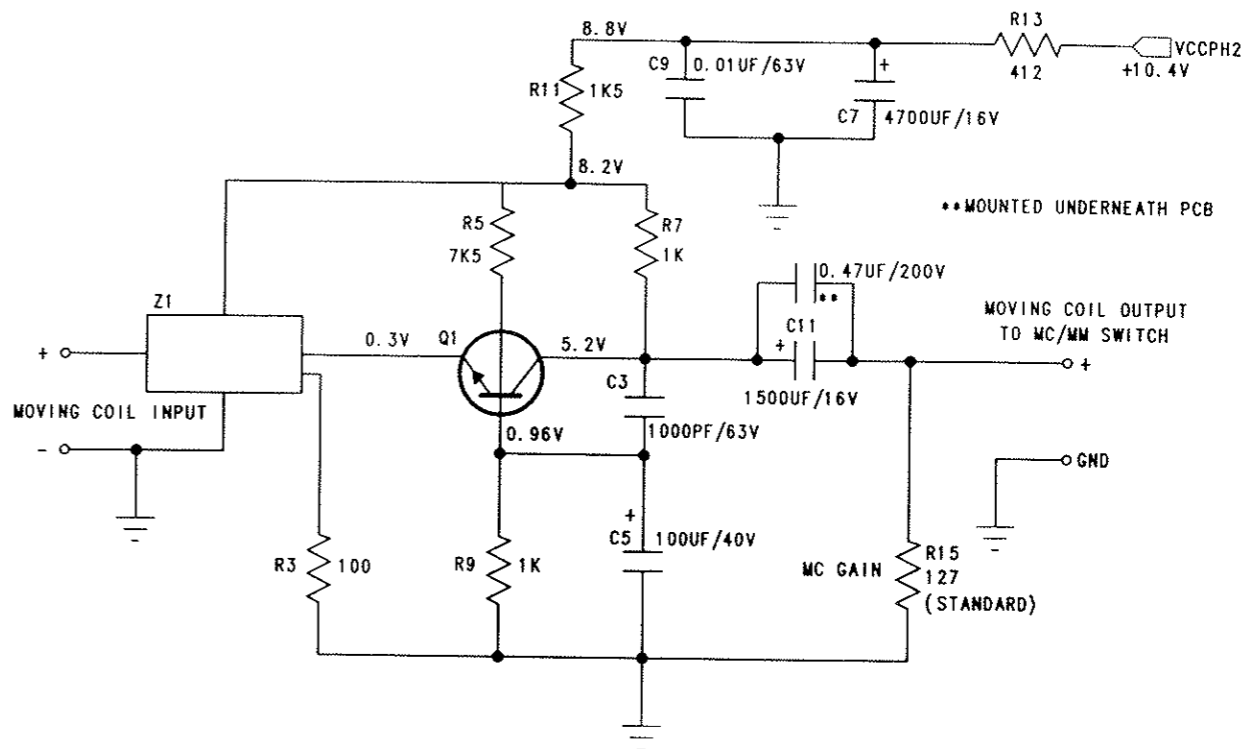
COMPANY: CLASSE AUDIO INC.		
TITLE: DR-6/6L PREAMPLIFIER		
DESC: REMOTE POWER SUPPLY		
DRAWING NO: DR-6-1		
DRAWN: DJR	DATE: FEB. 18/91	SHEET: 1 OF 6



COMPANY:	CLASSE AUDIO INC.
TITLE:	DR-6/6L PREAMPLIFIER
DESC:	AUXILIARY POWER SUPPLY PCB; LEFT CHANNEL POWER SUPPLY
DRAWING NO:	DR-6-1R3-2
DRAWN:	DJR
DATE:	FEB. 18/91
SHEET:	2 OF 6



PHONO POWER SUPPLY (LEFT CH.)



MOVING COIL PHONO (LEFT CH.)

REVISIONS:

PART NUMBER	WAS	IS	DATE
C3	3300PF/63V	1000PF/63V	JUL. 9/91.

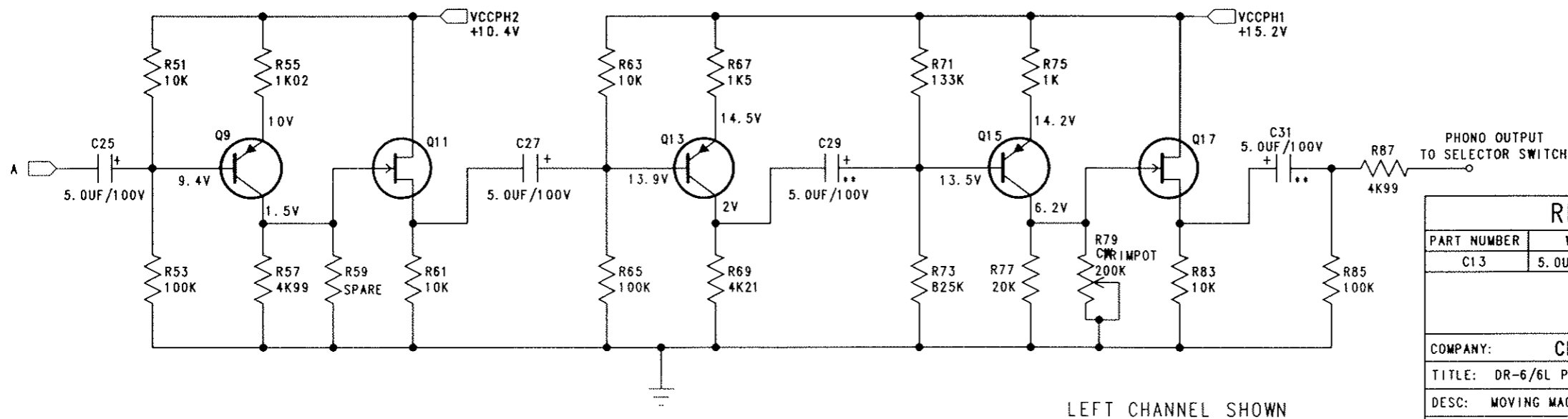
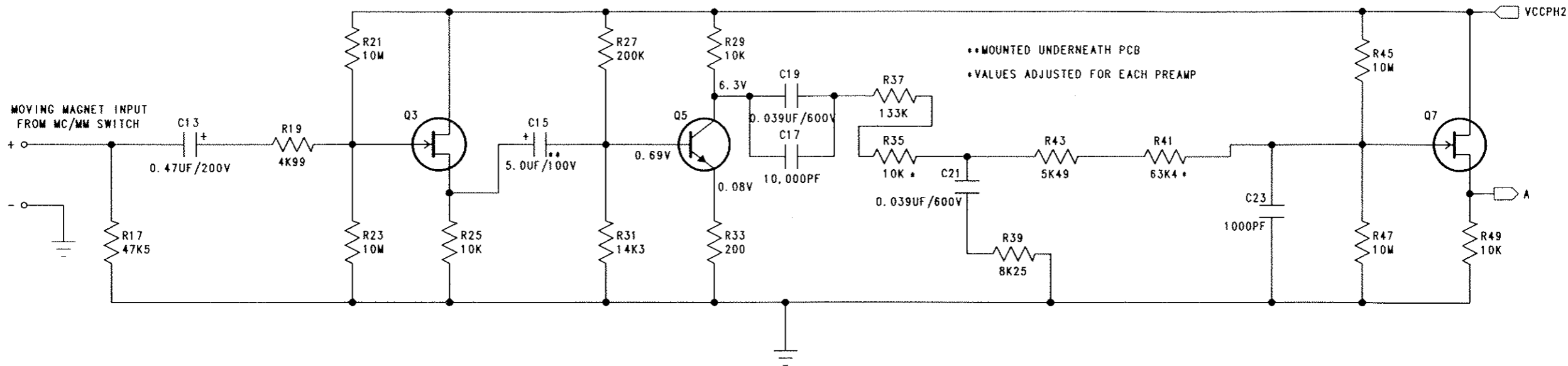
COMPANY: CLASSE AUDIO INC.

TITLE: DR-6/6L PREAMPLIFIER

DESC: PHONO POWER SUPPLY; MOVING COIL PHONO

DRAWING NO: DR-6-1R3-3

DRAWN: DJR DATE: FEB. 18/91 SHEET: 3 OF 6



LEFT CHANNEL SHOWN

REVISIONS:

PART NUMBER	WAS	IS	DATE
C13	5.0UF/100V	0.47UF/200V	JUL. 9/91.

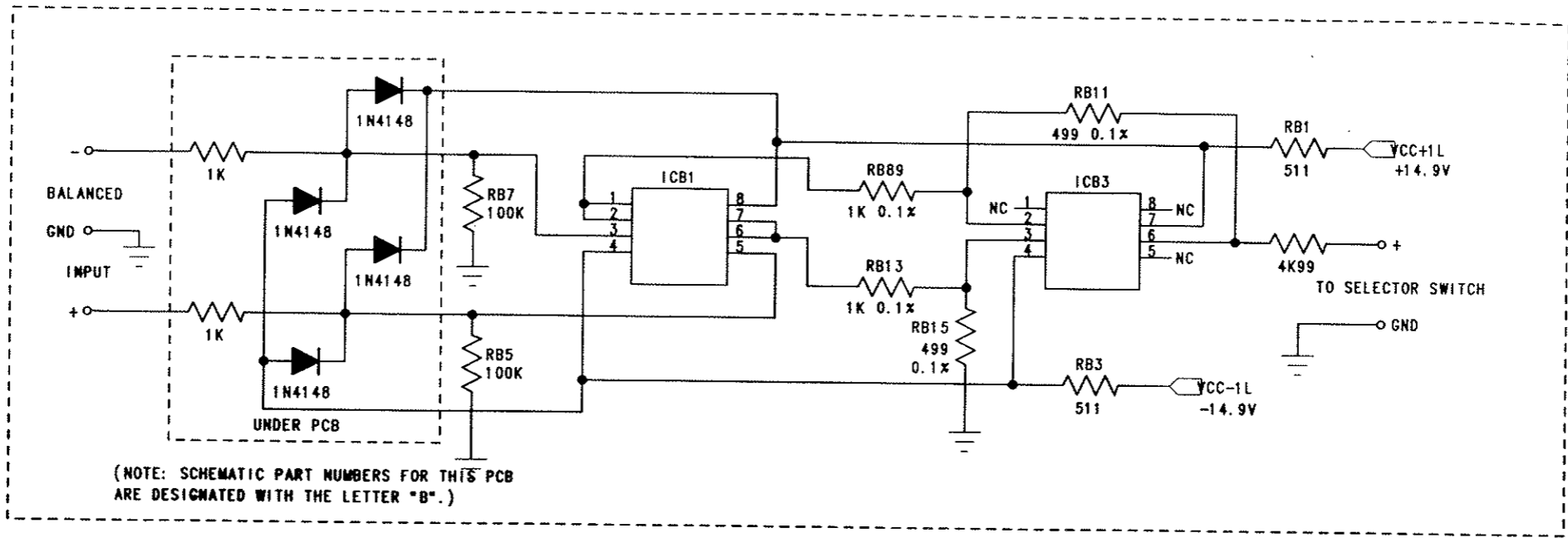
COMPANY: CLASSE AUDIO INC.

TITLE: DR-6/6L PREAMPLIFIER

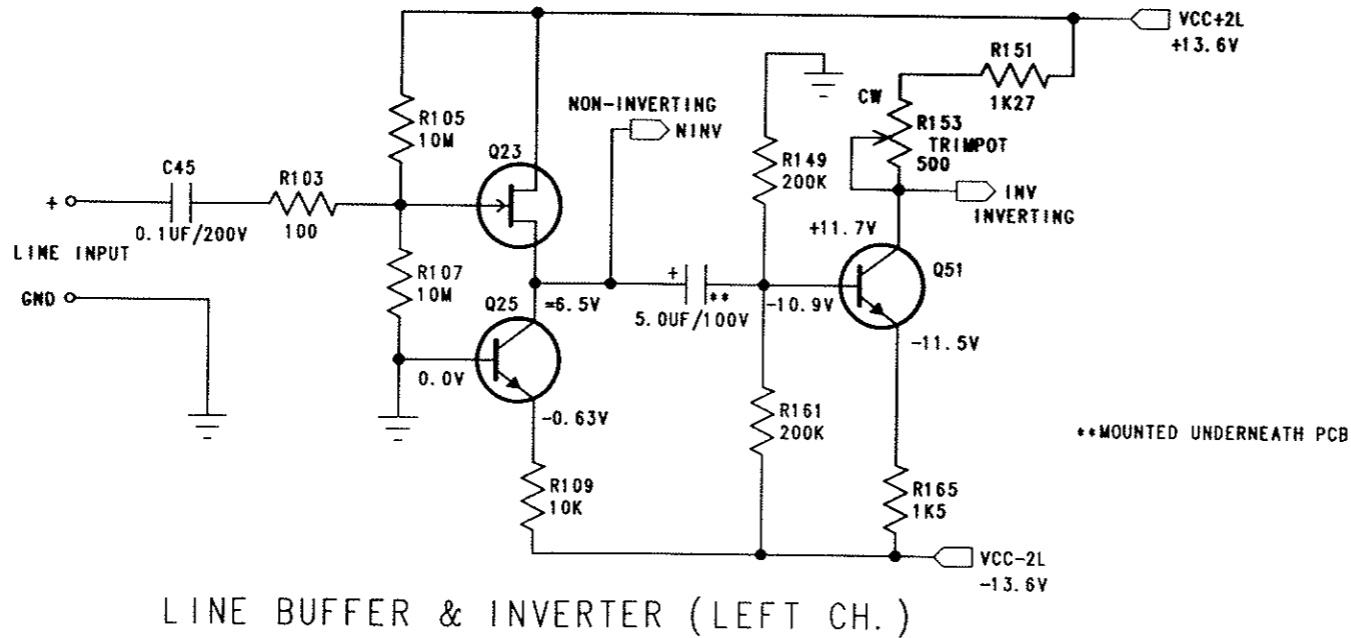
DESC: MOVING MAGNET PHONO

DRAWING NO: DR-6-1R3-4

DRAWN: DJR DATE: FEB. 18/91 SHEET: 4 OF 6



BALANCED INPUT (LEFT CH.) (UNDERNEATH MAIN PCB)



LINE BUFFER & INVERTER (LEFT CH.)

REVISIONS:

PART NUMBER	WAS	IS	DATE
R157	100K	NOT USED	JUL. 9/91.
R149	NOT USED	200K	JUL. 9/91.
R161	10K	200K	JUL. 9/91.
UNDER PCB	5UF/100V X 2	5UF/100V X 1	JUL. 9/91.

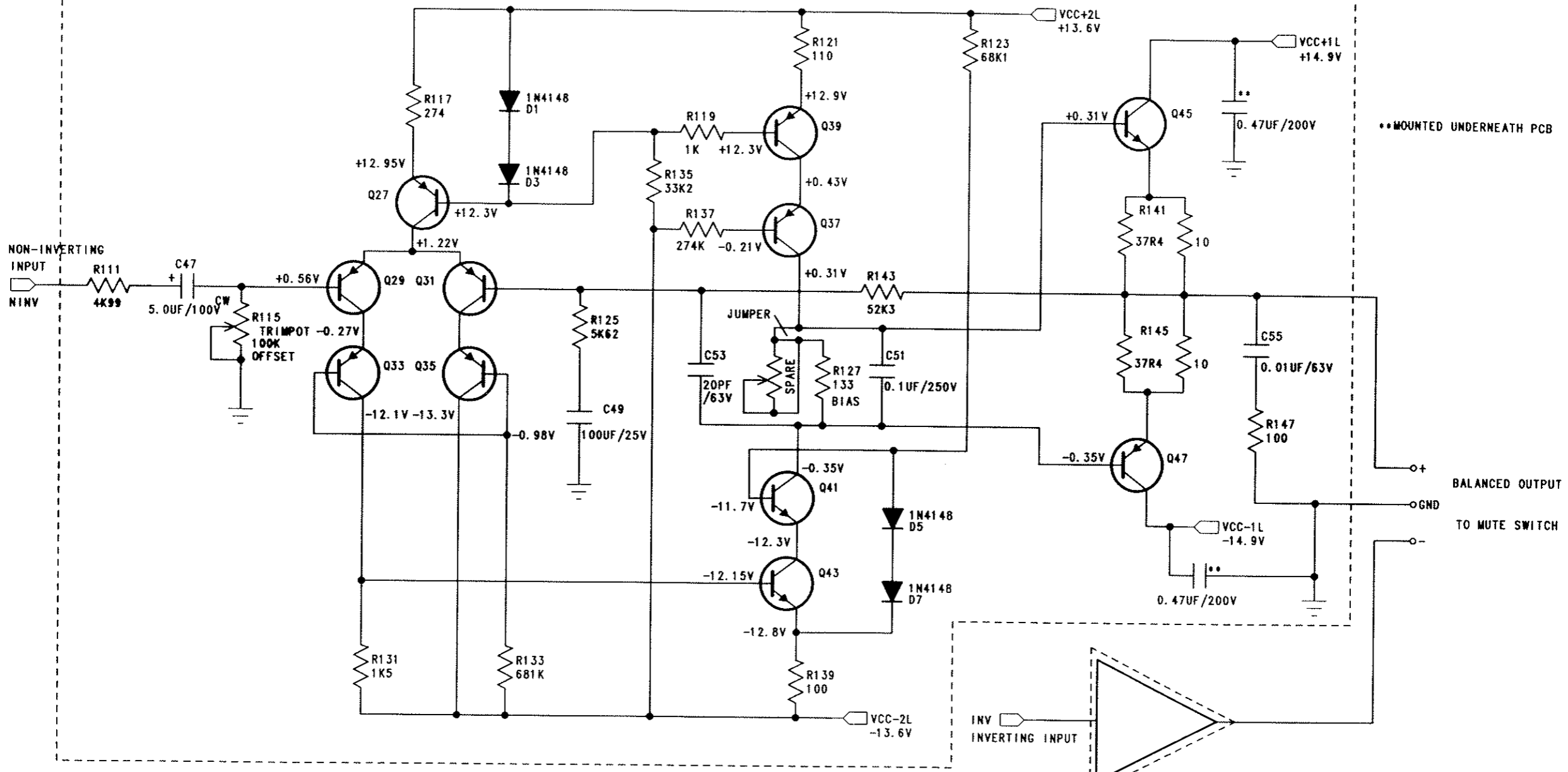
COMPANY: CLASSE AUDIO INC.

TITLE: DR-6/6L PREAMPLIFIER

DESC: BALNCD INPUT; LINE BUFFER & INVERTER

DRAWING NO: DR-6-1R3-5

DRAWN: DJR DATE: FEB. 18/91 SHEET: 5 OF 6



**MOUNTED UNDERNEATH PCB

BALANCED OUTPUT
TO MUTE SWITCH

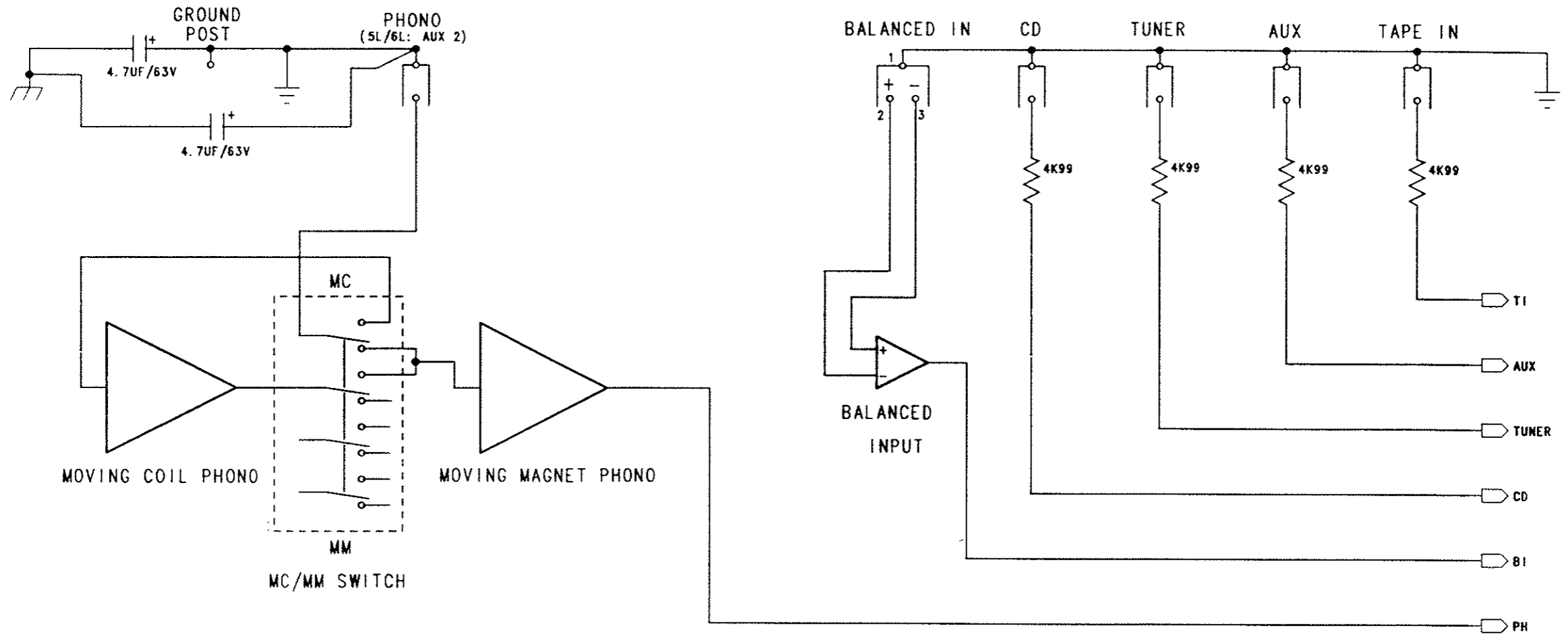
PART A

PART B

(IDENTICAL TO PART A)

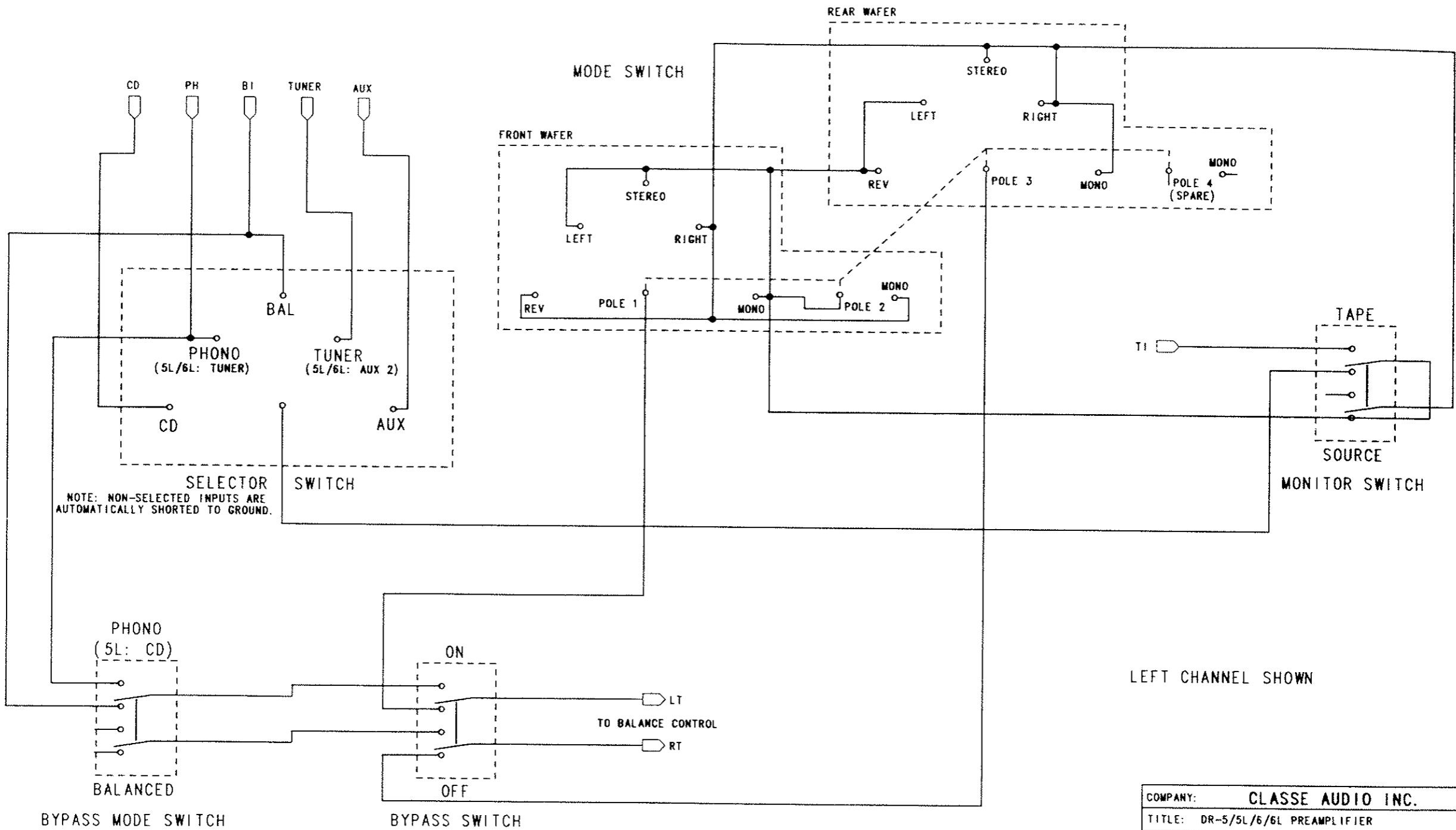
LEFT CHANNEL SHOWN

COMPANY:	CLASSE AUDIO INC.
TITLE:	DR-6/6L PREAMPLIFIER
DESC:	LINE STAGE
DRAWING NO:	DR-6-1R3-6
DRAWN:	DJR
DATE:	FEB. 18/91
SHEET:	6 OF 6

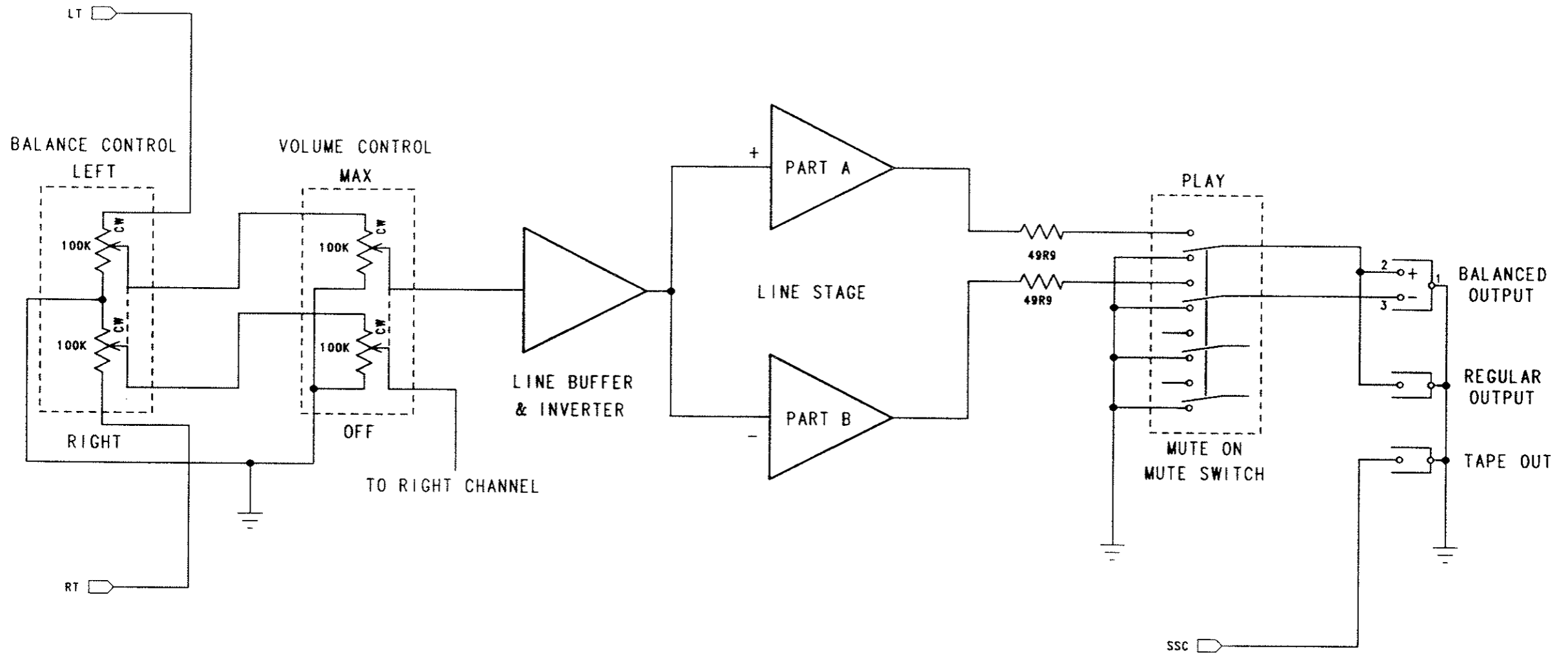


LEFT CHANNEL SHOWN

COMPANY: CLASSE AUDIO INC.		
TITLE: DR-5/5L/6/6L PREAMPLIFIER		
DESC: FLOW DIAGRAM		
DRAWING NO: 6FD-1		
DRAWN: DJR	DATE: MAR. 8/91.	SHEET: 1 OF 3



COMPANY:		CLASSE AUDIO INC.	
TITLE:		DR-5/5L/6/6L PREAMPLIFIER	
DESC:		FLOW DIAGRAM	
DRAWING NO:		6FD-2	
DRAWN:	DJR	DATE:	MAR. 8/91.
		SHEET: 2 OF 3	



LEFT CHANNEL SHOWN

COMPANY: CLASSE AUDIO INC.		
TITLE: DR-5/5L/6/6L PREAMPLIFIER		
DESC: FLOW DIAGRAM		
DRAWING NO: 6FD-3		
DRAWN: DJR	DATE: MAR. 8/91.	SHEET: 3 OF 3