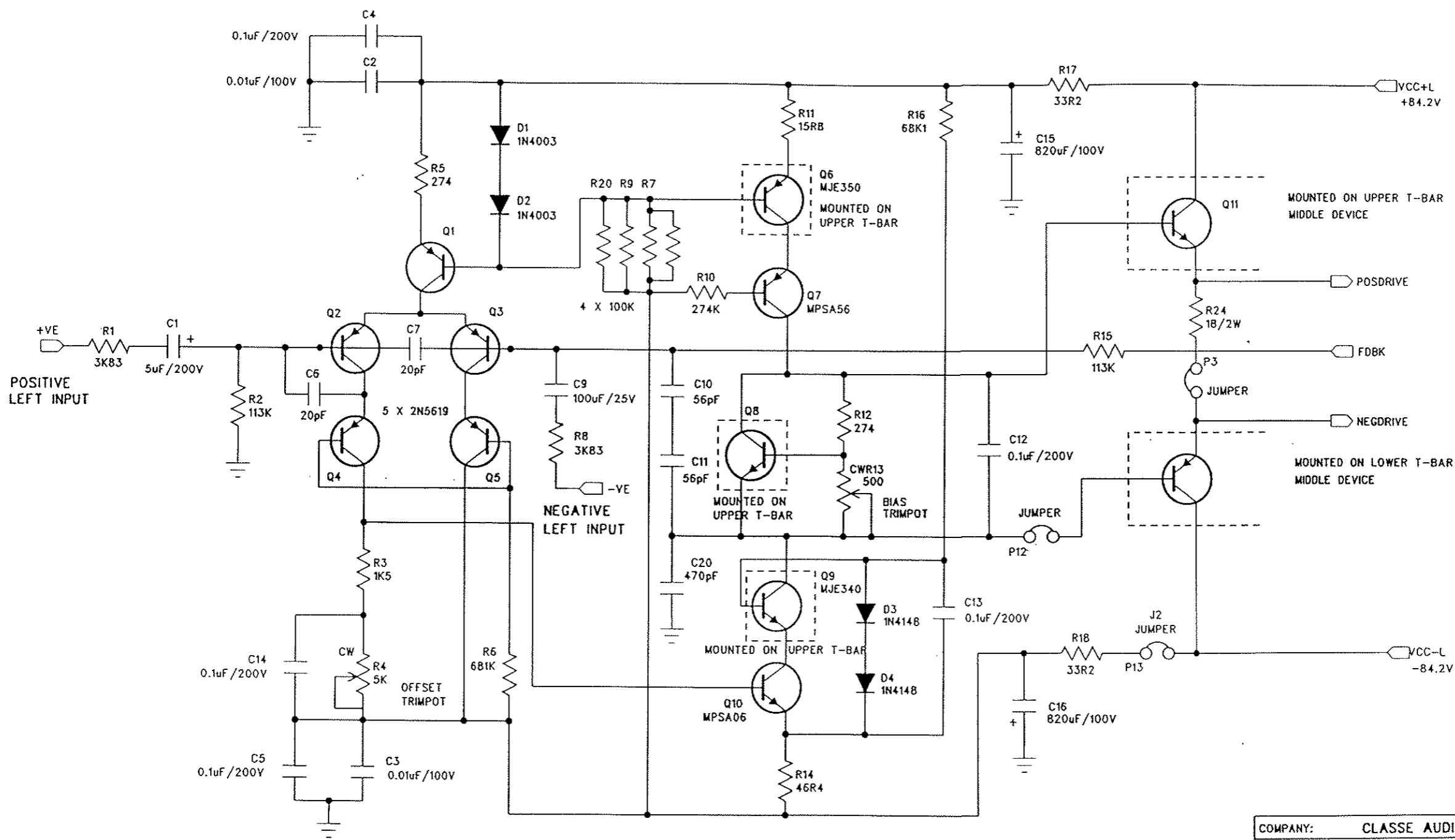
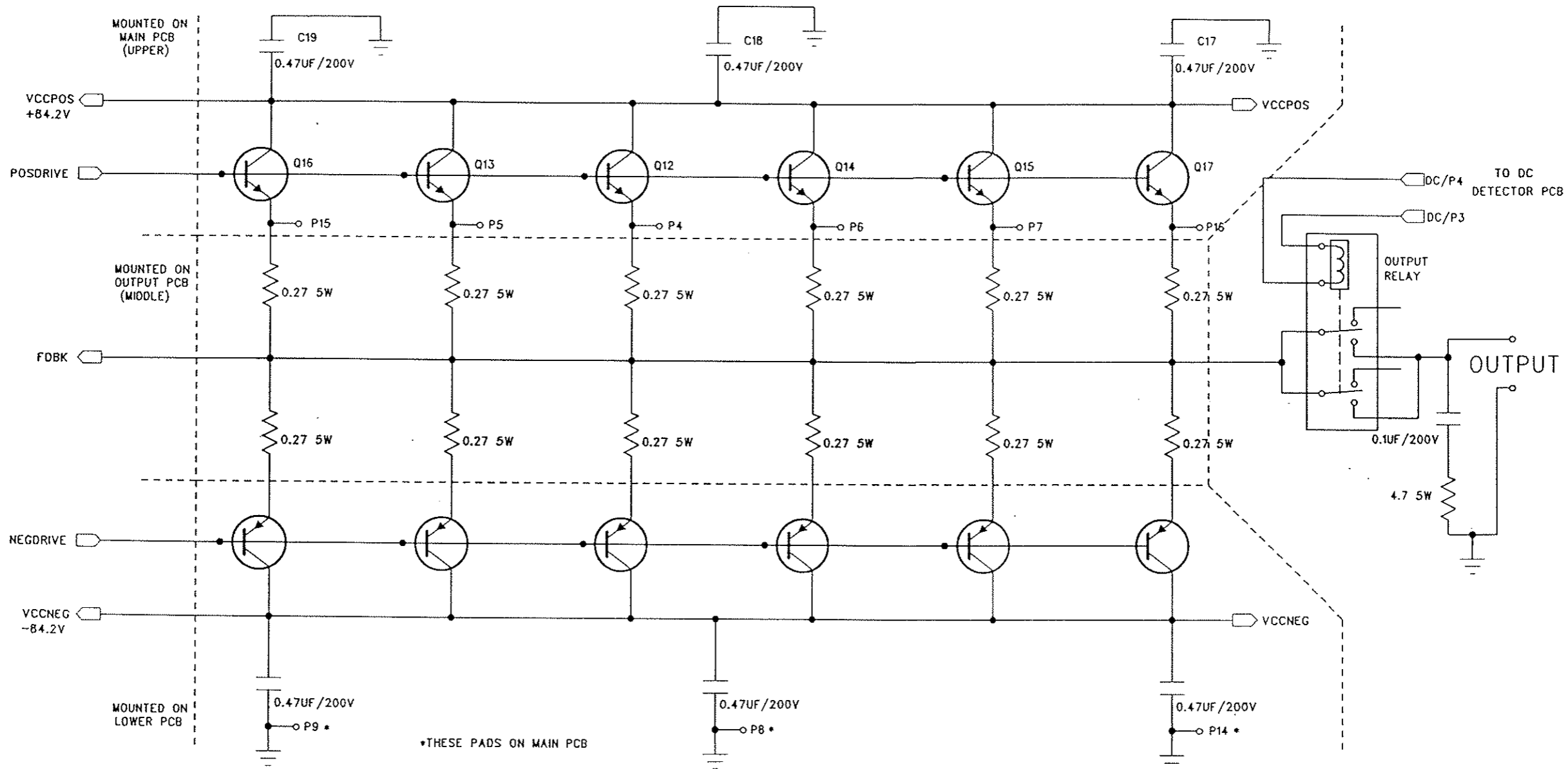


| | | | |
|-------------|-----|--|-----------|
| COMPANY: | | CLASSE AUDIO INC. | |
| TITLE: | | CLASSE M1000/M700 POWER AMPLIFIER (MONO) | |
| DESC: | | FLOW DIAGRAM | |
| DRAWING NO: | | 1KDIA | |
| DRAWN: | NVK | DATE: | JUNE 8/92 |
| | | SHEET: 1 OF 7 | |

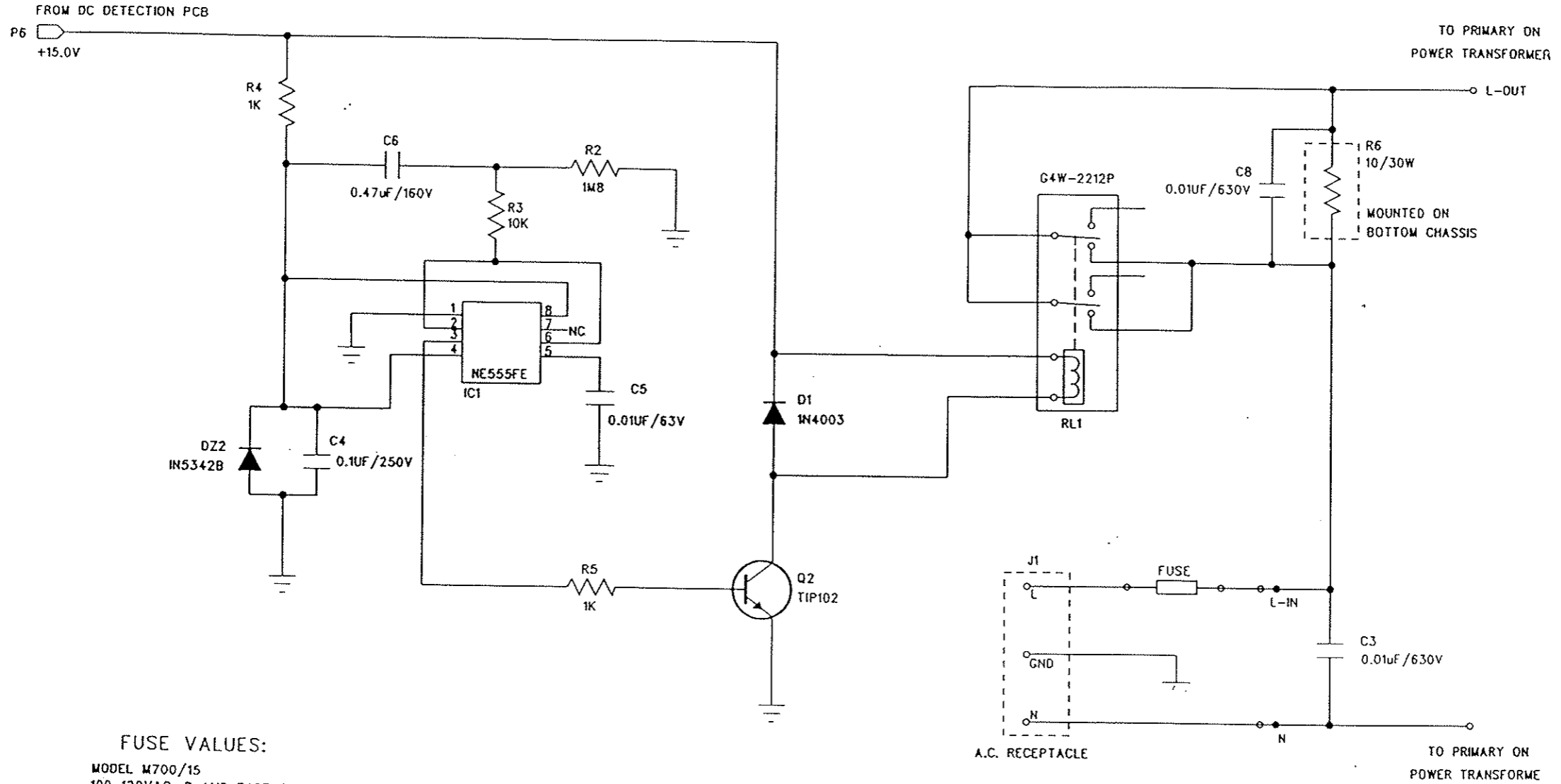


LEFT CHANNEL SHOWN
 * = INSTALLED DURING CALIBRATION

| | | |
|--|-----------------|---------------|
| COMPANY: CLASSE AUDIO INC. | | |
| TITLE: CLASSE M1000 POWER AMPLIFIER (MONO) | | |
| DESC: LEFT CHANNEL CIRCUITRY | | |
| DRAWING NO: 1KPCB | | |
| DRAWN: NYK | DATE: JUNE 8/92 | SHEET: 2 OF 7 |



| | | | |
|-------------|-------------------------------------|-----------------|---------------|
| COMPANY: | CLASSE AUDIO INC. | | |
| TITLE: | CLASSE M1000 POWER AMPLIFIER (MONO) | | |
| DESC: | OUTPUT STAGE | | |
| DRAWING NO: | 1KOP | | |
| DRAWN: | NVK | DATE: JUNE 8/92 | SHEET: 3 OF 7 |

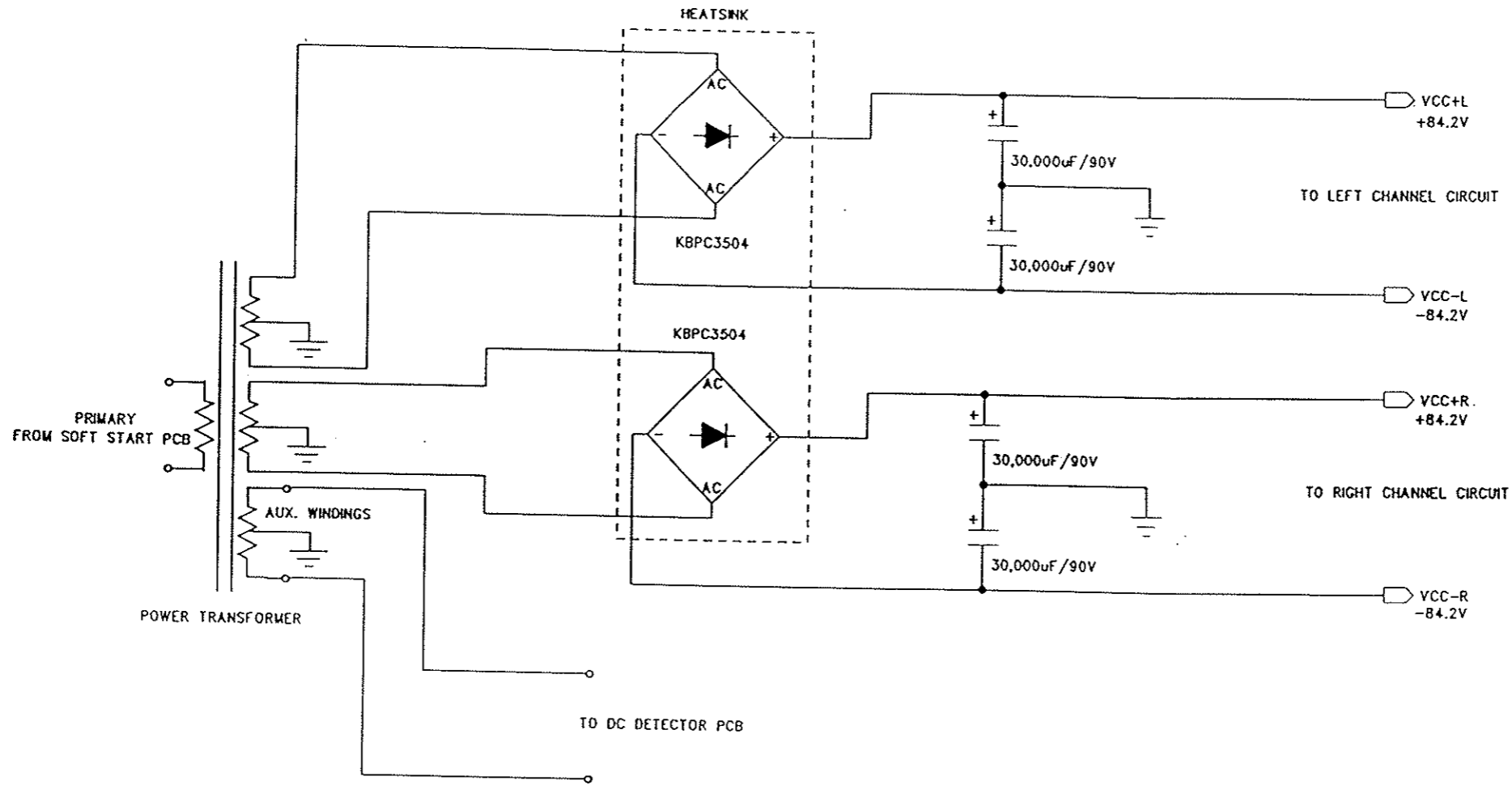


FUSE VALUES:

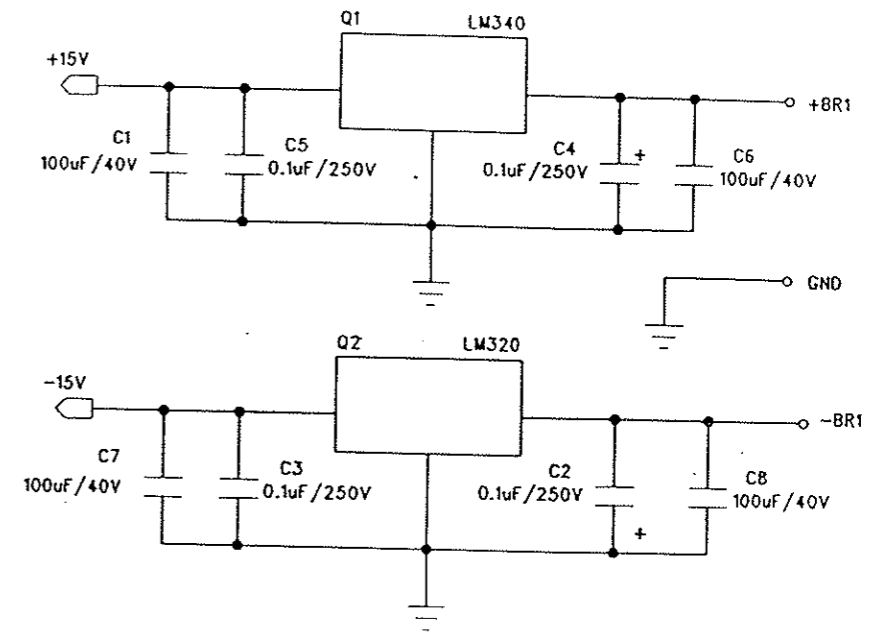
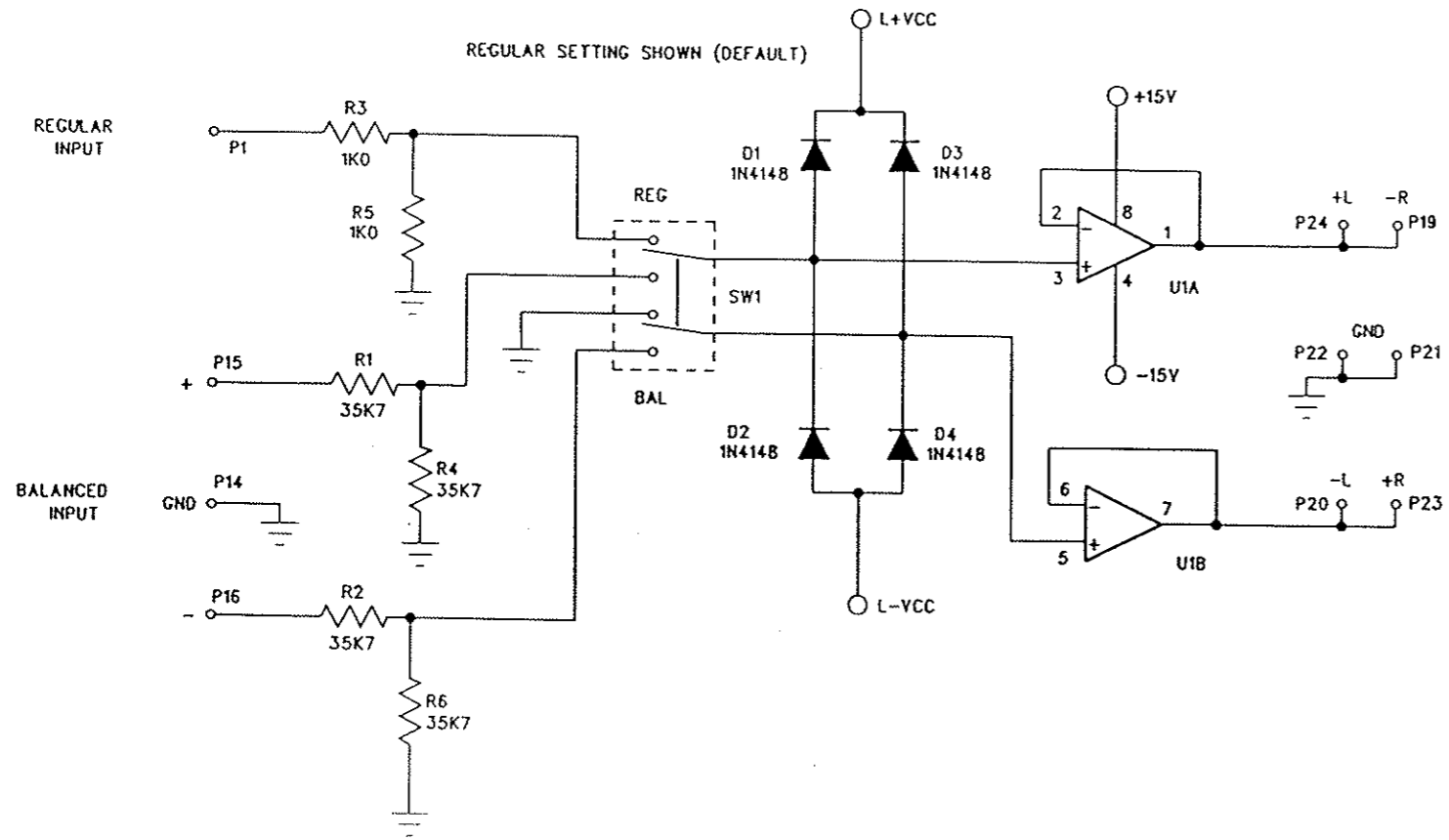
MODEL M700/15
 100-120VAC: 8 AMP FAST-BLO
 220-240VAC: 4 AMP FAST-BLO

MODEL M1000/25
 100-120VAC: 12 AMP FAST-BLO
 220-240VAC: 6 AMP FAST-BLO

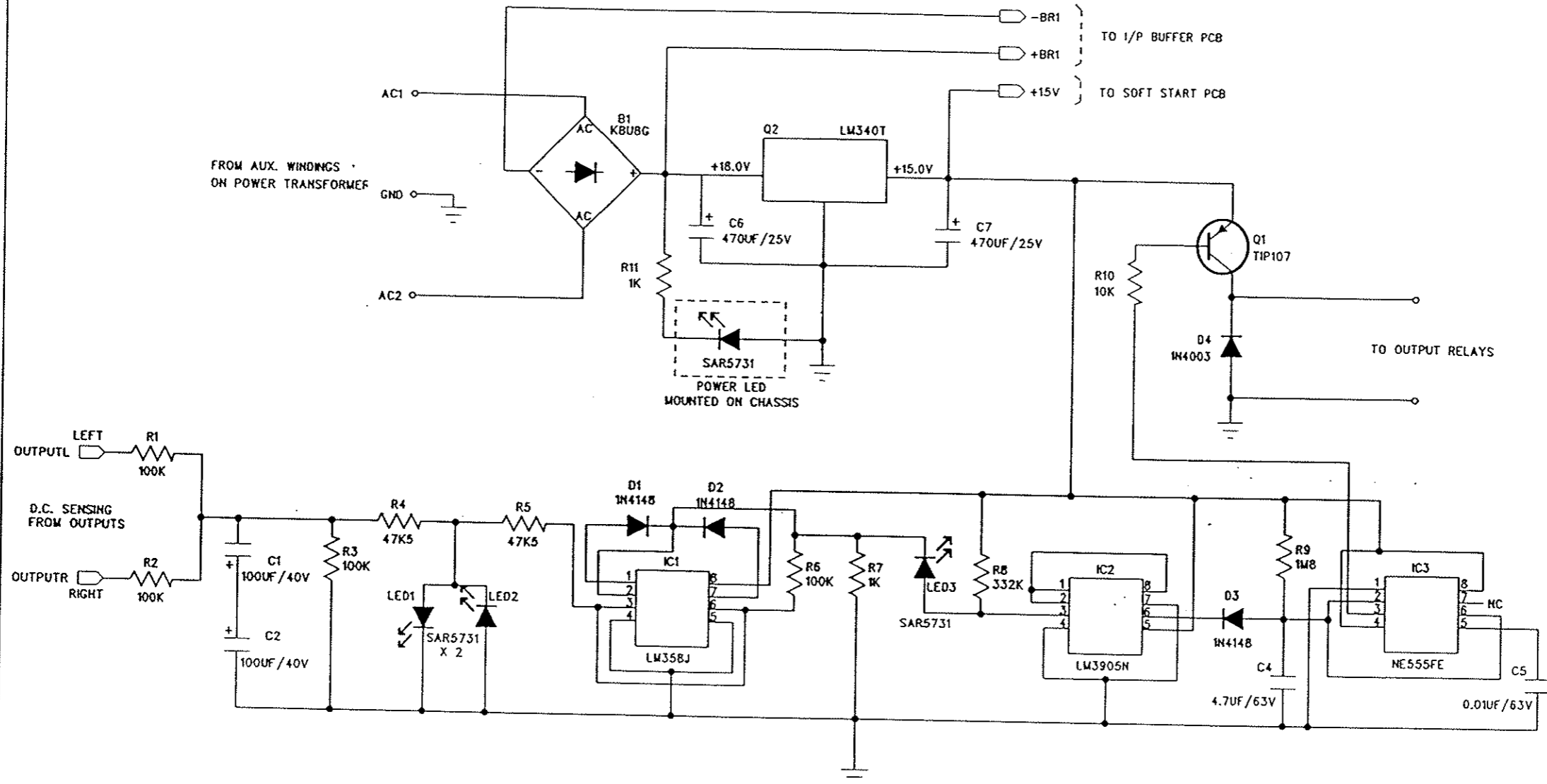
| | |
|---|-------------------------------|
| COMPANY: CLASSE AUDIO INC. | |
| TITLE: CLASSE M1000/M700/25/15 POWER AMPLIFIERS | |
| DESC: SOFT START | |
| DRAWING NO: 1KST | |
| DRAWN: NVK | DATE: JUNE 8/92 SHEET: 4 OF 7 |



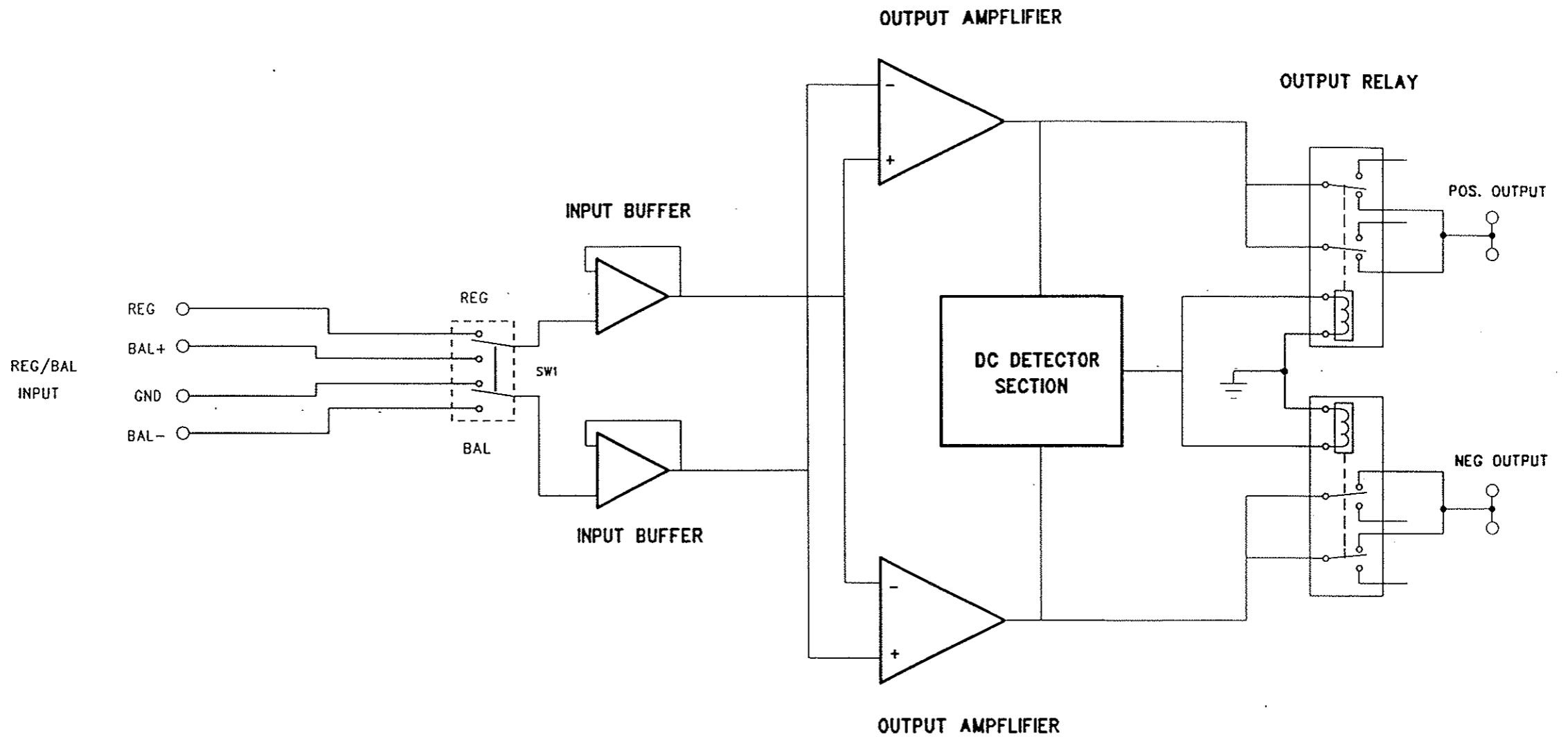
| | | | |
|-------------|-----|-------------------------------------|----------|
| COMPANY: | | CLASSE AUDIO INC. | |
| TITLE: | | CLASSE M1000 POWER AMPLIFIER (MONO) | |
| DESC: | | MAIN POWER SUPPLY | |
| DRAWING NO: | | 1KPS | |
| DRAWN: | NYK | DATE: | JUN 8/92 |
| | | SHEET: | 5 OF 7 |



| | | | |
|-------------|-----------------------------------|-------|-------------------------|
| COMPANY: | CLASSE AUDIO INC. | | |
| TITLE: | CLASSE M1000/M700 POWER AMPLIFIER | | |
| DESC: | BAL/REG INPUT BUFFERS | | |
| DRAWING NO: | 1KIP | | |
| DRAWN: | NYK | DATE: | JUNE 8/92 SHEET: 6 OF 7 |



| | | | |
|-------------|---|--------|-----------|
| COMPANY: | CLASSE AUDIO INC. | | |
| TITLE: | MODEL M1000/M700/25/15 POWER AMPLIFIERS | | |
| DESC: | D.C. PROTECTION | | |
| DRAWING NO: | 1KDC | | |
| DRAWN: | NVK | DATE: | JUNE 8/92 |
| | | SHEET: | 7 OF 7 |



| | | | |
|-------------|--|-----------------|---------------|
| COMPANY: | CLASSE AUDIO INC. | | |
| TITLE: | CLASSE M1000/M700 POWER AMPLIFIER (MONO) | | |
| DESC: | FLOW DIAGRAM | | |
| DRAWING NO: | 1KDIA | | |
| DRAWN: | NYK | DATE: JUNE 8/92 | SHEET: 1 OF 7 |

"BIAS FOR OLD MODELS"

DR 9-8 \Rightarrow 18

DR 10-M10 \Rightarrow 21

DR 15-25 - 1/5 1000 - 700 \Rightarrow 22

CLASSE' 70 \Rightarrow 21

FOR ALL MODELS & IF THE PRE-DRIVER
ARE MOUNTED ON
HEAT SINK USE THE
TOP CORNER TO
FINAL TEST.
(TO SET BIAS+OFFSET)

**INSTRUCTIONS FOR CONVERSION OF CLASSÉ M-1000/M700/NEW 15/25
TO NEW OPERATING LINE VOLTAGE**

1. Disconnect unit from A.C. line
2. Reconnect all jumpers on voltage selector PCB as shown below, for the desired voltage.
NOTE: the PCB is located at the front left of unit.
3. Replace the varistor (V1) for new line voltage:
 - ** for 100V to 120V: 221
 - ** for 220V to 240V: 391 or 441

NOTE: if varistor is not available then remove old varistor and leave it empty.

4. Re-assemble the unit.
5. Change fuse according to the owner's manual.

JUMPER CONFIGURATION

| LINE VOLTAGE | JUMPERS |
|--------------|---------|
| 100 | A, F, E |
| 120 | C, A, D |
| 220 | B, E |
| 240 | B, D |

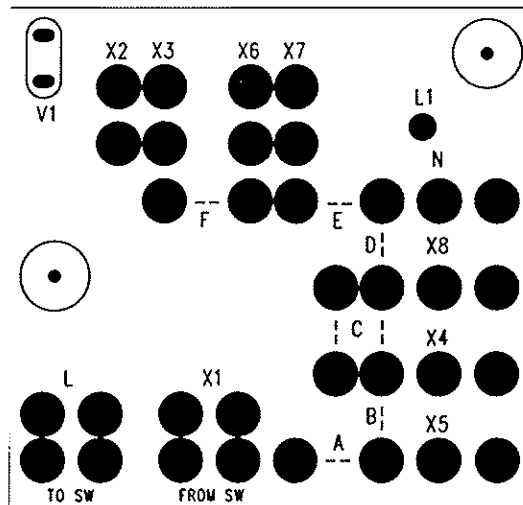


FIGURE 1: VOLTAGE SELECTOR PCB