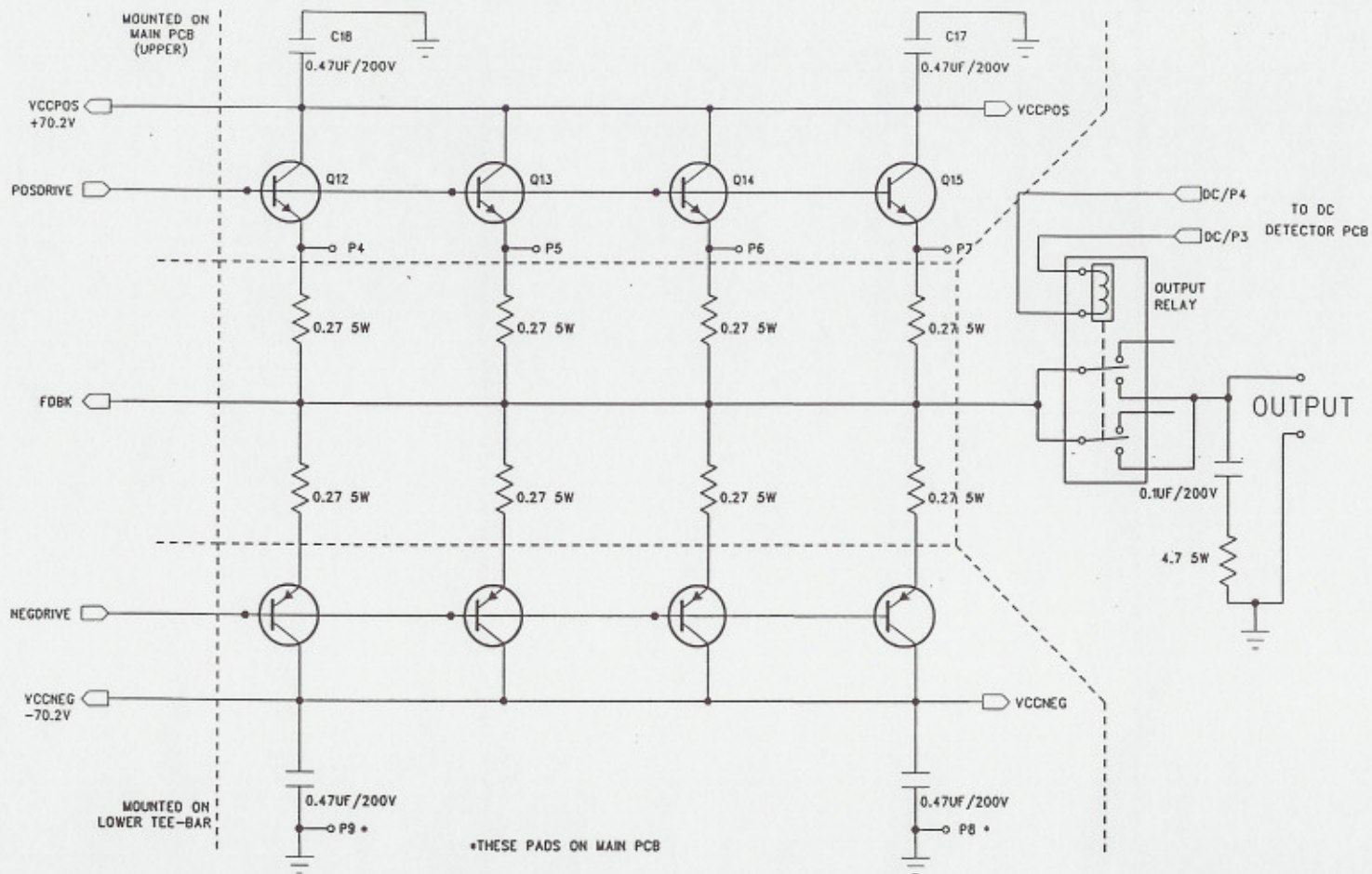
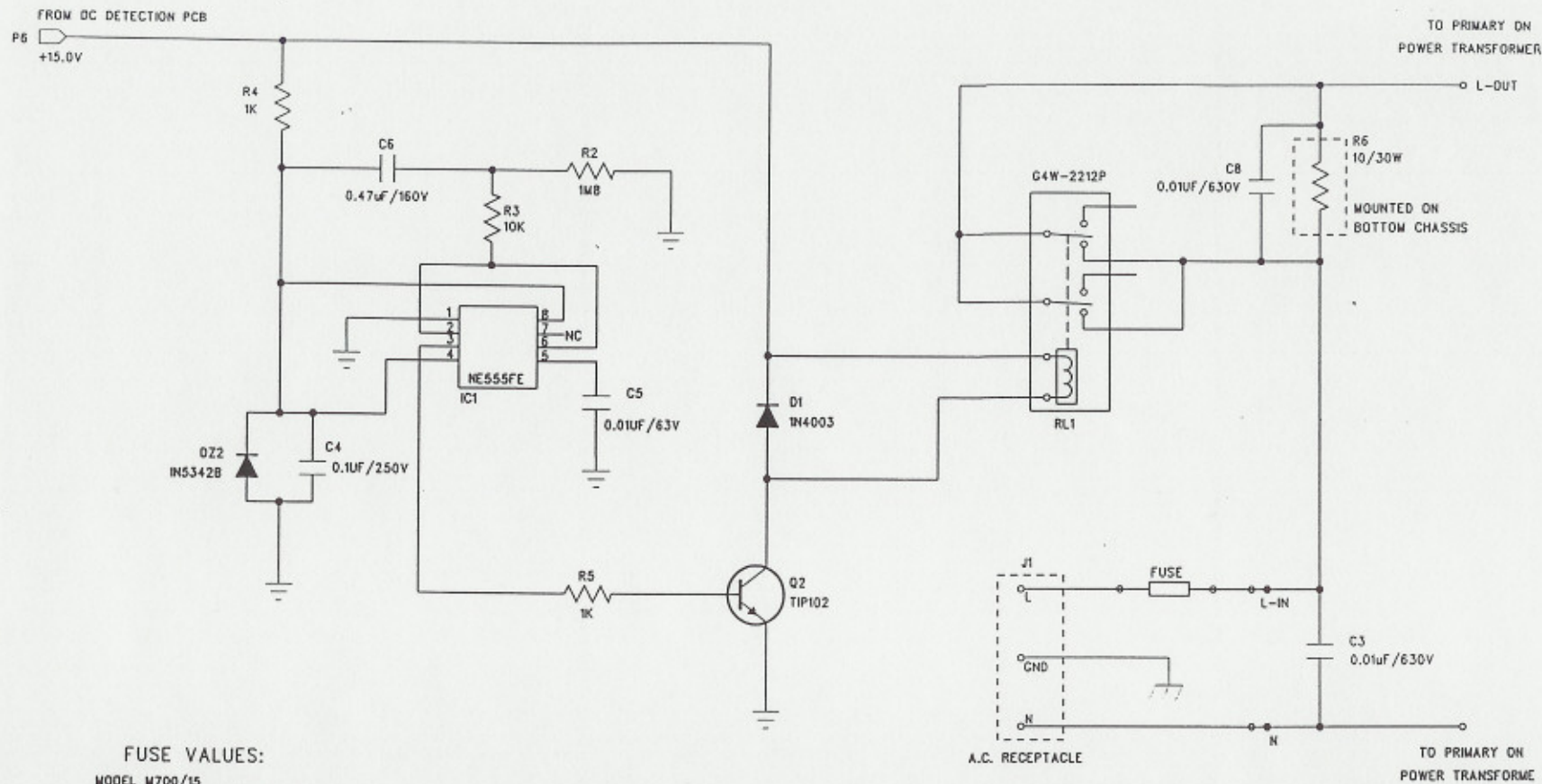


**LEFT CHANNEL SHOWN**  
 \* - INSTALLED DURING CALIBRATION

COMPANY: CLASSE AUDIO INC.		
TITLE: CLASSE M700 POWER AMPLIFIER (MONO)		
DESC: LEFT CHANNEL CIRCUITRY		
DRAWING NO: 7HPC8		
DRAWN: NVK	DATE: JUNE 8/92	SHEET: 2 OF 7



COMPANY: CLASSE AUDIO INC.		
TITLE: CLASSE M700 POWER AMPLIFIER (MONO)		
DESC: OUTPUT STAGE		
DRAWING NO: 7HDP		
DRAWN: NVK	DATE: JUNE 8/92	SHEET: 3 OF 7

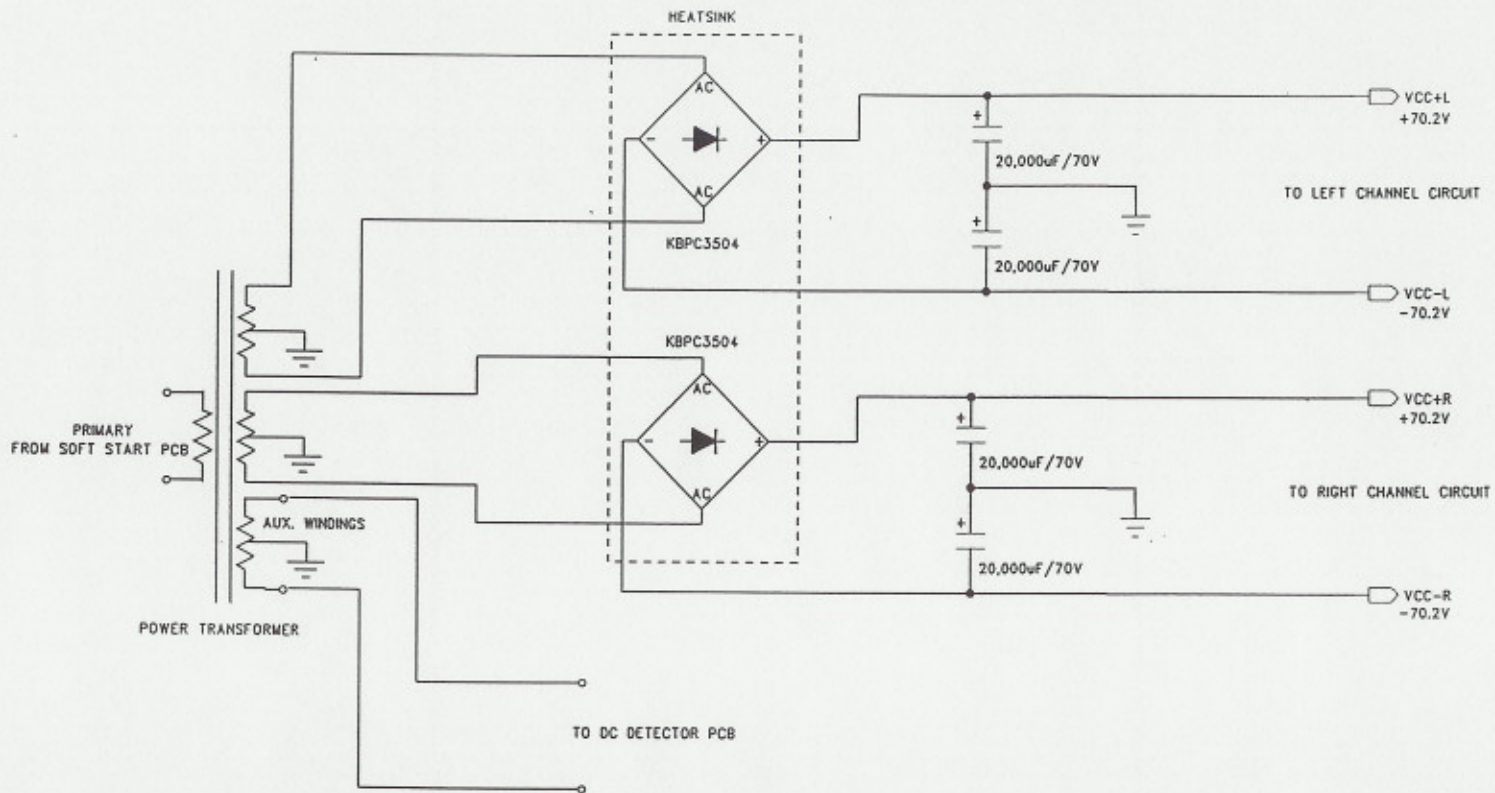


FUSE VALUES:

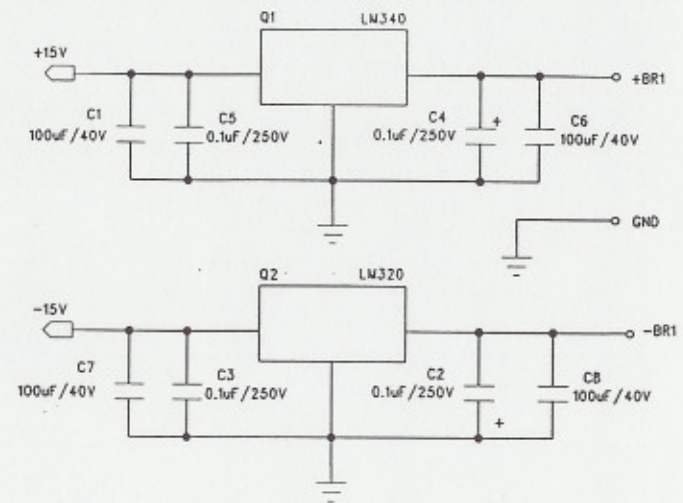
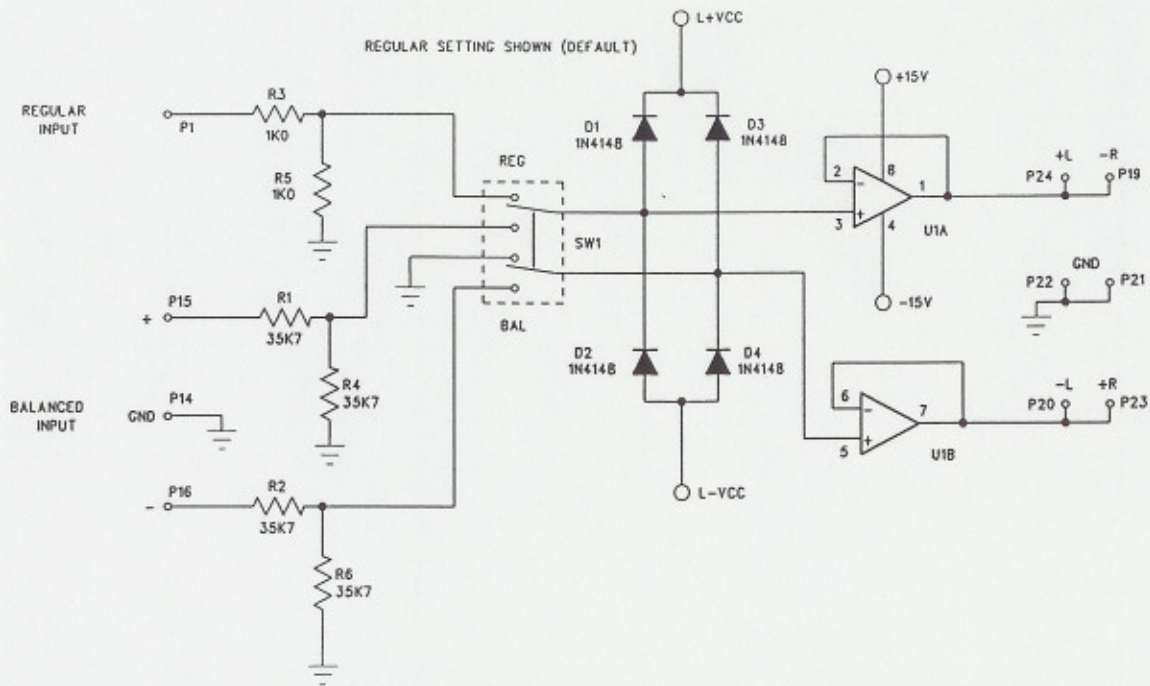
MODEL M700/15  
100-120VAC: 8 AMP FAST-BLO  
220-240VAC: 4 AMP FAST-BLO

MODEL M1000/25  
100-120VAC: 12 AMP FAST-BLO  
220-240VAC: 6 AMP FAST-BLO

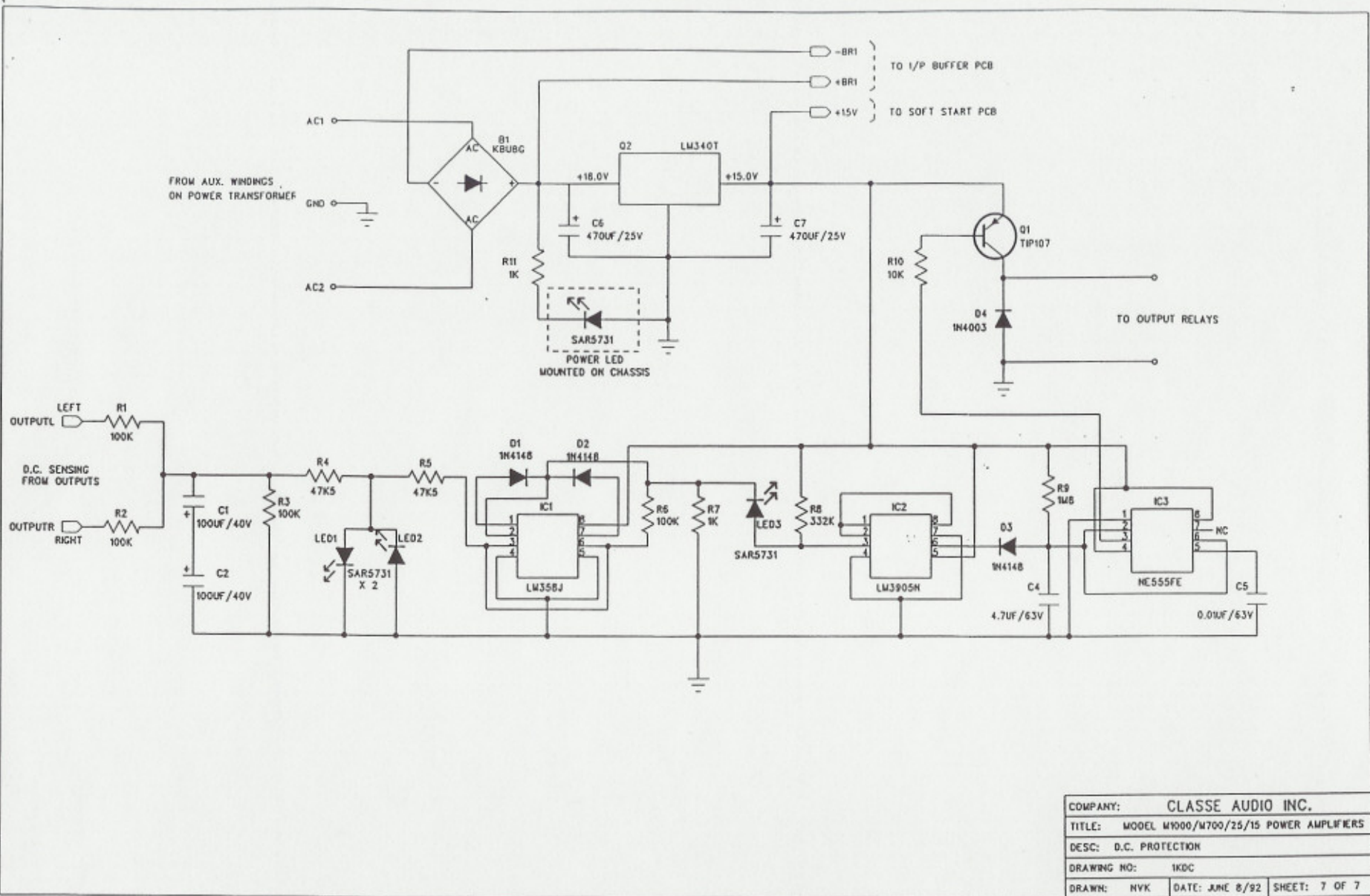
COMPANY: CLASSE AUDIO INC.	
TITLE: CLASSE M1000/M700/25/15 POWER AMPLIFIERS	
DESC: SOFT START	
DRAWING NO: 1KST	
DRAWN: NVK	DATE: JUNE 8/92 SHEET: 4 OF 7



COMPANY: CLASSE AUDIO INC.		
TITLE: CLASSE M700 POWER AMPLIFIER (MONO)		
DESC: MAIN POWER SUPPLY		
DRAWING NO: 7HPS		
DRAWN: NVK	DATE: JUN 8/92	SHEET: 5 OF 7



COMPANY: CLASSE AUDIO INC.	
TITLE: CLASSE M1000/M700 POWER AMPLIFIER	
DESC: BAL/REG INPUT BUFFERS	
DRAWING NO: 1K1P	
DRAWN: NVK	DATE: JUNE 8/92 SHEET: 6 OF 7



COMPANY: CLASSE AUDIO INC.		
TITLE: MODEL M1000/M700/25/15 POWER AMPLIFIERS		
DESC: D.C. PROTECTION		
DRAWING NO: 1KDC		
DRAWN: NYK	DATE: JUNE 8/92	SHEET: 7 OF 7