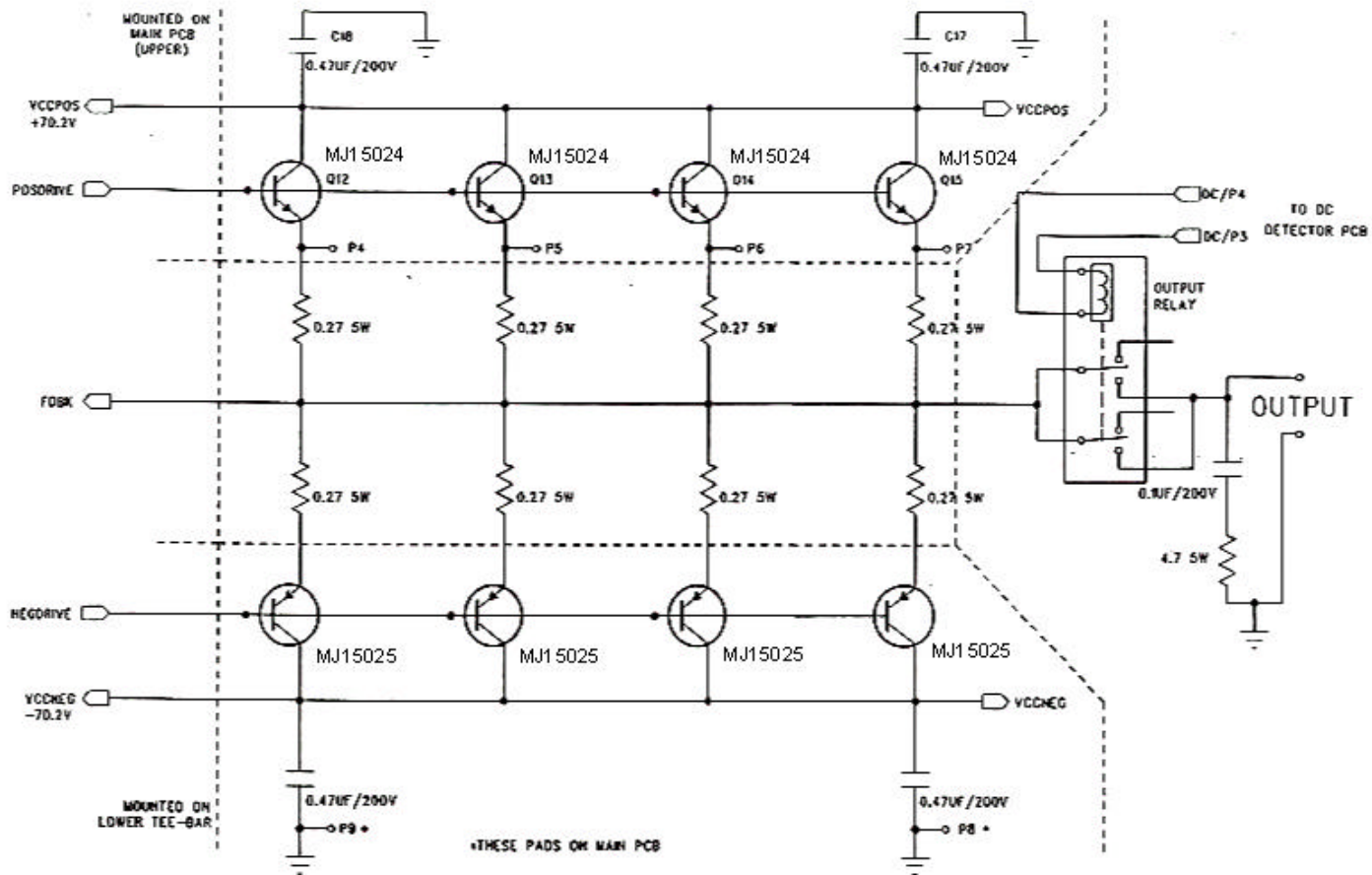
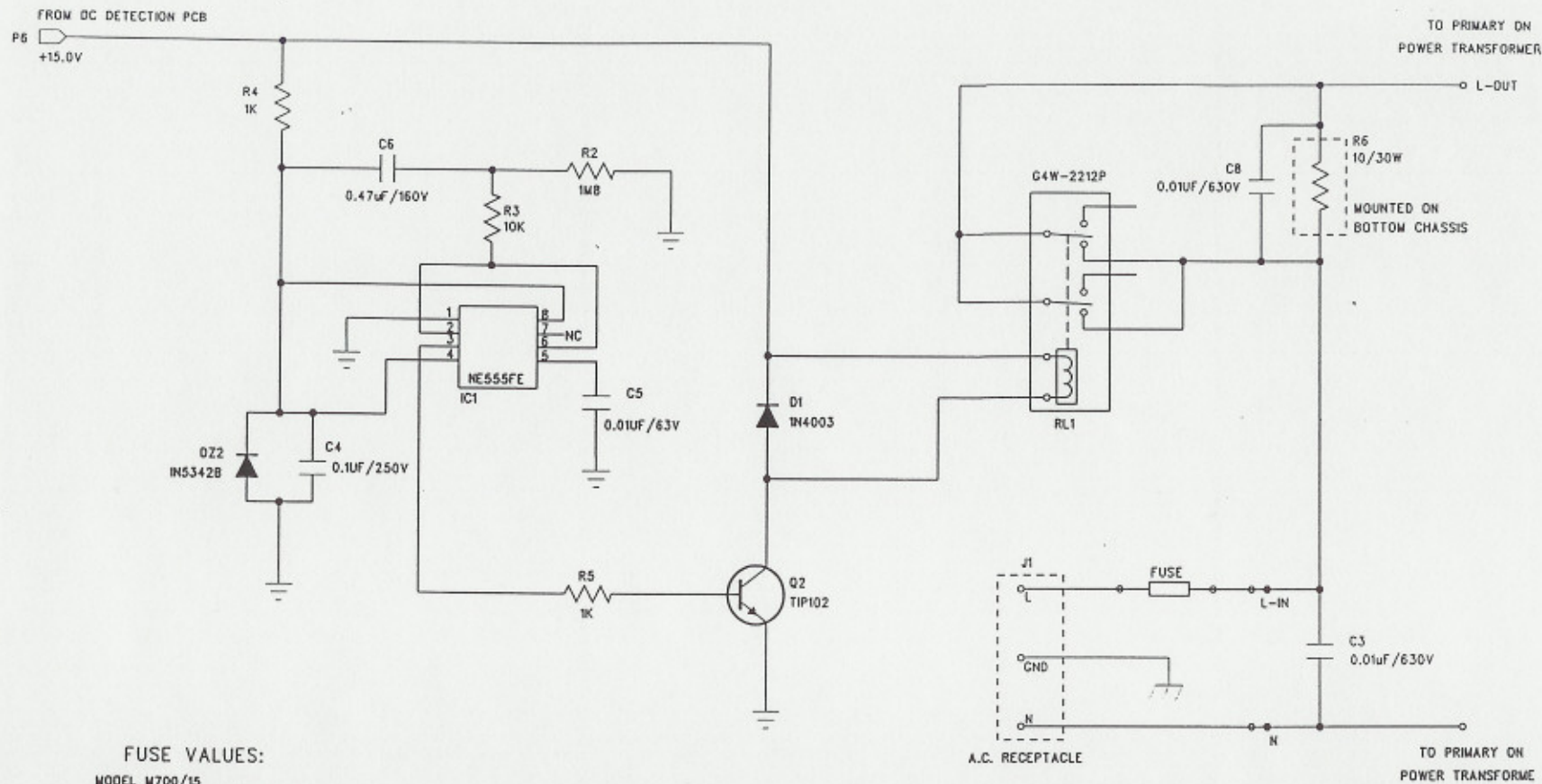


LEFT CHANNEL SHOWN
 * - INSTALLED DURING CALIBRATION

COMPANY: CLASSE AUDIO INC.		
TITLE: CLASSE M700 POWER AMPLIFIER (MONO)		
DESC: LEFT CHANNEL CIRCUITRY		
DRAWING NO: 7NPC8		
DRAWN: NYK	DATE: JUNE 8/92	SHEET: 2 OF 7



COMPANY:	CLASSE AUDIO INC.		
TITLE:	CLASSE M700 POWER AMPLIFIER (MONO)		
DESC:	OUTPUT STAGE		
DRAWING NO:	7H0P		
DRAWN:	NYX	DATE:	JUNE 8/92
		SHEET:	3 OF 7

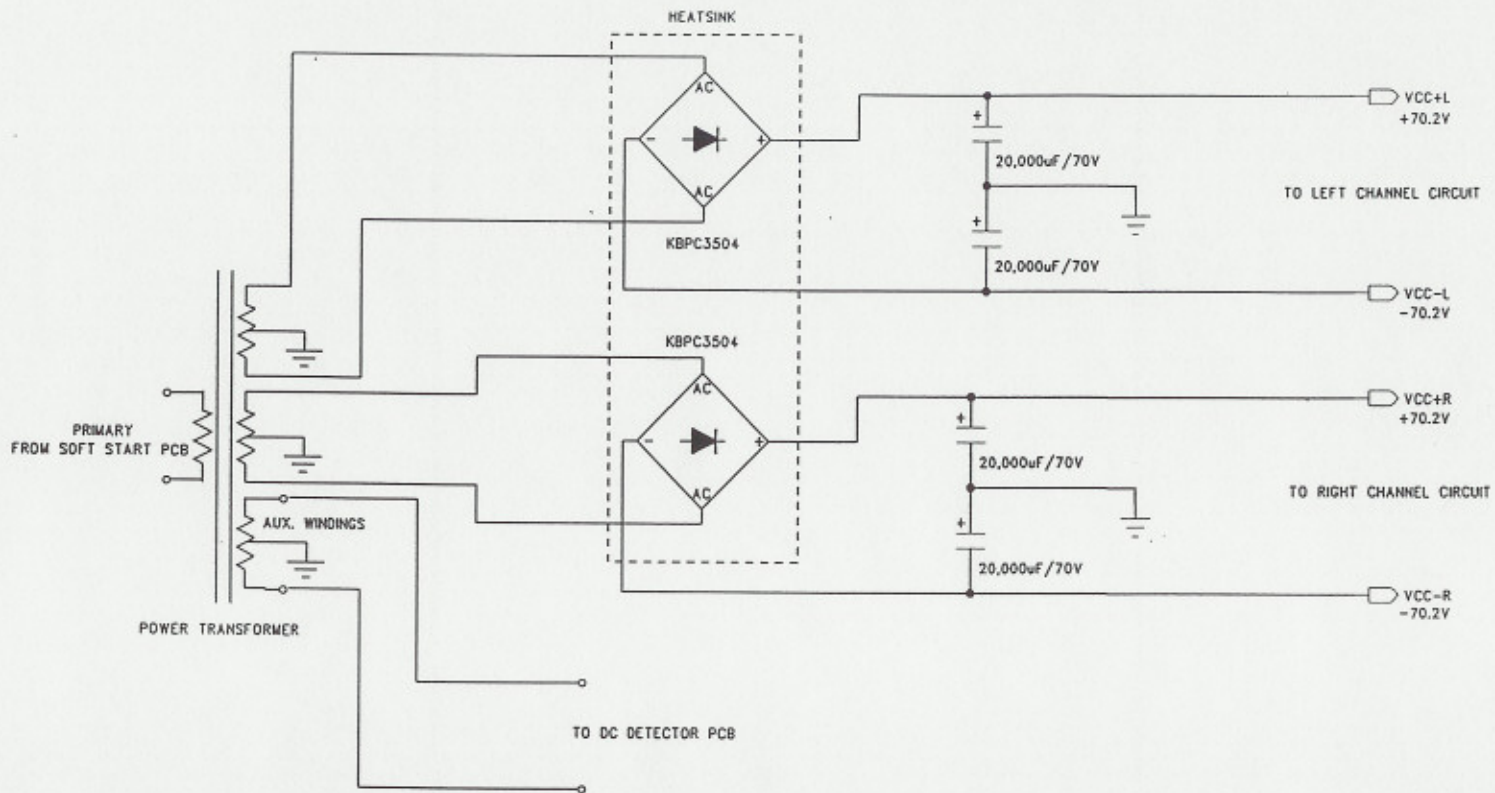


FUSE VALUES:

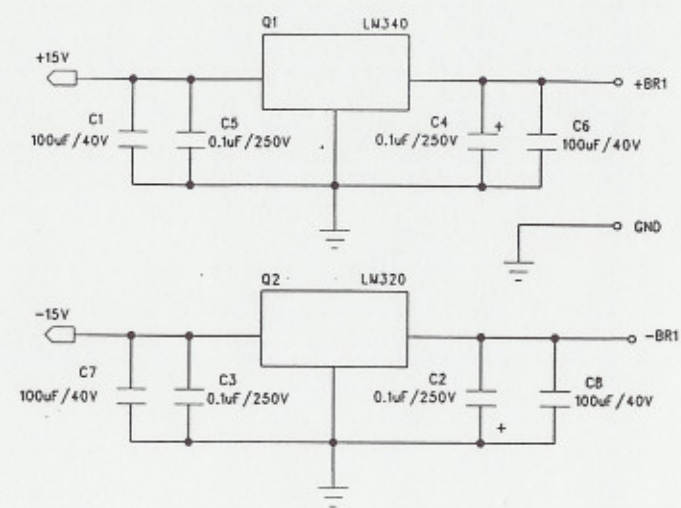
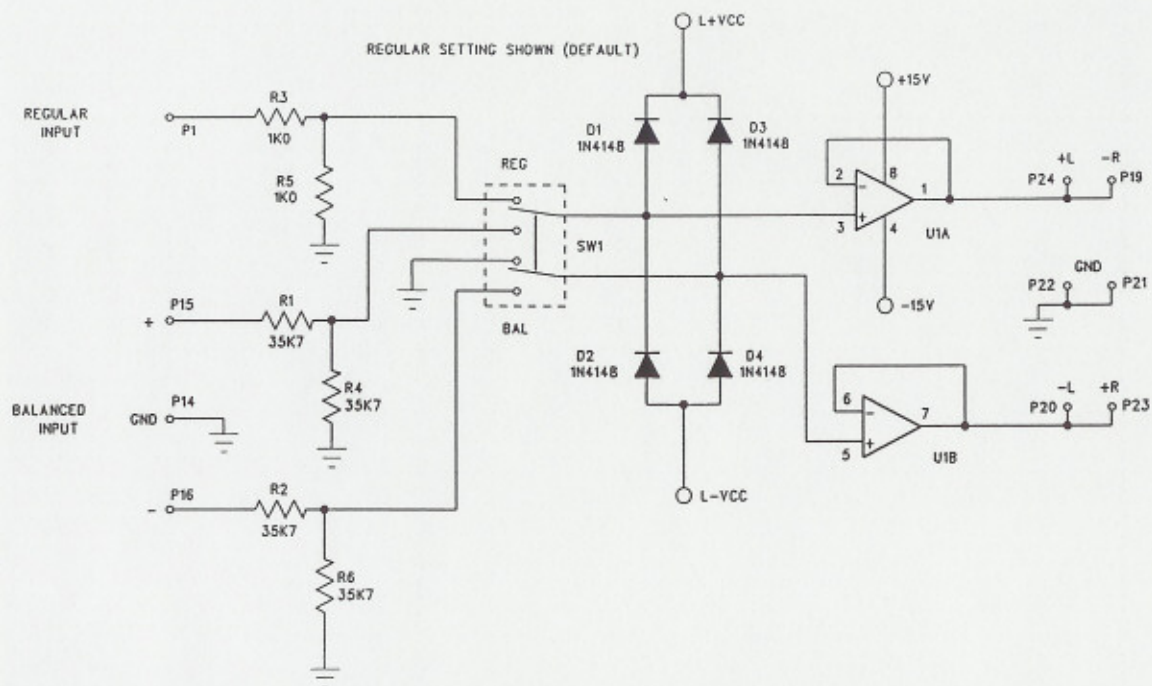
MODEL M700/15
100-120VAC: 8 AMP FAST-BLO
220-240VAC: 4 AMP FAST-BLO

MODEL M1000/25
100-120VAC: 12 AMP FAST-BLO
220-240VAC: 6 AMP FAST-BLO

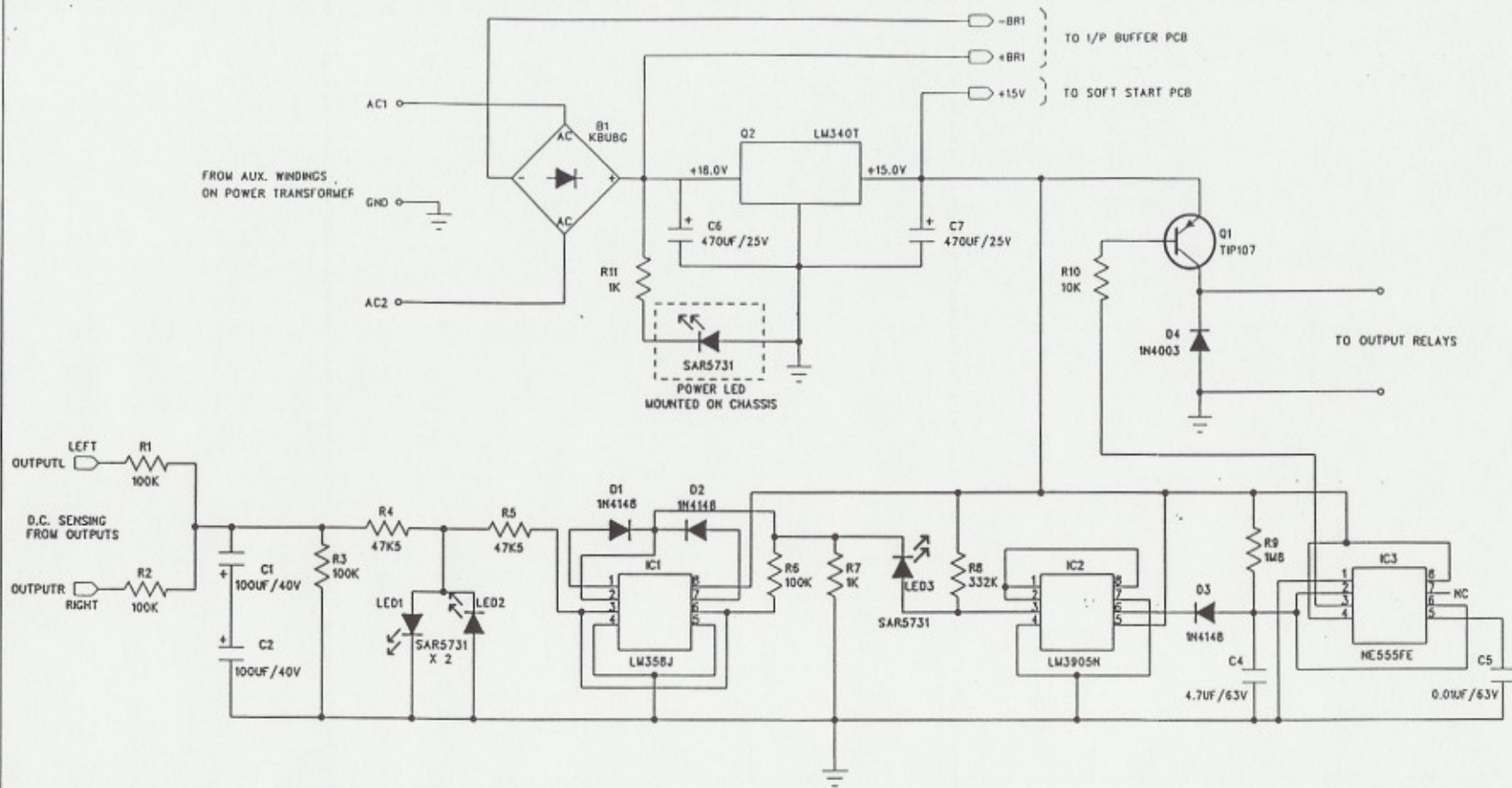
COMPANY: CLASSE AUDIO INC.	
TITLE: CLASSE M1000/M700/25/15 POWER AMPLIFIERS	
DESC: SOFT START	
DRAWING NO: 1KST	
DRAWN: NVK	DATE: JUNE 8/92 SHEET: 4 OF 7



COMPANY: CLASSE AUDIO INC.		
TITLE: CLASSE M700 POWER AMPLIFIER (MONO)		
DESC: MAIN POWER SUPPLY		
DRAWING NO: 7HPS		
DRAWN: NVK	DATE: JUN 8/92	SHEET: 5 OF 7



COMPANY:		CLASSE AUDIO INC.	
TITLE:		CLASSE M1000/M700 POWER AMPLIFIER	
DESC:		BAL/REG INPUT BUFFERS	
DRAWING NO:		1K1P	
DRAWN:	NVK	DATE:	JUNE 8/92
		SHEET:	6 OF 7



COMPANY: CLASSE AUDIO INC.		
TITLE: MODEL M1000/M700/25/15 POWER AMPLIFIERS		
DESC: D.C. PROTECTION		
DRAWING NO: 1KDC		
DRAWN: NYK	DATE: JUNE 8/92	SHEET: 7 OF 7

Classé Model M-700/S-700

Bias and Offset Adjustment

- Ensure that the amplifier is assembled and functioning properly.
- Disconnect all input and output connections.
- Power up the amplifier.
- Adjust the A.C. line voltage to 120V.

For each channel:

Bias Adjustment:

- Connect the common lead of your digital multimeter to the pad labeled **P17**.
- Measure the voltages on the NPN emitter pads labeled **P4, P5, P6, P7, P15, P16**.
- Measure the voltages on the PNP emitter pads (see diagrams).
- These 12 pads must be constantly monitored during the first ½ hour after the amplifier has been turned on.
- The transistors are matched for gain and therefore should have similar emitter voltages. The difference between the absolute values of the voltages on each emitter pad should never be allowed to exceed **6mV**.
- When the amplifier is cold, the measurements should be approximately **14mV ± 5mV**.
- Use trimpot **R13** to adjust the bias.
- **Final adjustment for each channel:** Adjust the bias so that the average of the six NPN emitter readings equals **22mV**.

Offset Adjustment:

- Connect the common lead of your digital multimeter to the pad labeled **P17**.
- Measure the voltage on pad **P11**.
- When the amp is cold, this measurement should be approximately **± 100mV**.
- Use trimpot **R4** to adjust the offset.
- Let the amp idle for 6 to 8 hours at a room temperature of 22° Celsius (72° Fahrenheit). The line voltage should be steady at 120V.
- The heatsinks will reach a final temperature of approximately 47° Celsius (117° Fahrenheit).
- **Final adjustment for each channel:** Adjust the offset so that it is between **0mV** and **+10mV**.

NOTE: There is some overshoot when making bias and offset adjustments. Turn the trimpots ½ to 1 revolution at a time and let the amp settle for 15 to 20 minutes after each adjustment.