



# Table of Contents

**Introduction 3**

**Important Notes on Servicing 3**

**Ordering Replacement Parts 3**

**Block Diagrams 4**

**Start up Procedure 5**

**Protection Modes and Indicators 6**

**Troubleshooting Guide 7**

**Output Transistors Testing and Replacement 8**

**Calibrations and Adjustments 9**

**Fuses 10**

**Voltage Change 10**

**Schematics 11**

The contents of this document as well as the files associated with it contain confidential information that is proprietary to Classé Audio Incorporated and are intended solely for the purpose of servicing product. No part of its contents may be used, copied, disclosed, or conveyed to any party in any manner whatsoever without prior written permission from Classé Audio Incorporated.

# Introduction

**Please read this manual carefully before commencing servicing!  
Only qualified and authorized personnel should attempt to service this product.**



**The lightning flash with arrowhead symbol, within an equilateral triangle, is intended to alert the user to the presence of uninsulated dangerous voltage within the product's enclosure that may be of sufficient magnitude to constitute a risk of electric shock to persons.**



**The exclamation point within an equilateral triangle is intended to alert the user to the presence of important operating and maintenance (servicing) instructions.**

Classé has a global product support network. For product assistance or to order replacement parts please contact your nearest service center always quoting the unit serial number.

## North America

Phone: (978) 664-2870 E-mail: [classe@bwgroupusa.com](mailto:classe@bwgroupusa.com)

## Europe

Phone: 44 (0) 1903 221 700 E-mail: [classe@bwgroup.com](mailto:classe@bwgroup.com)

## Asia

Phone: (852) 2790 8903 E-mail: [classe@bwgroup.hk](mailto:classe@bwgroup.hk)

## Rest of the World

Phone: (514) 636-6384 E-mail: [cservice@classeaudio.com](mailto:cservice@classeaudio.com)

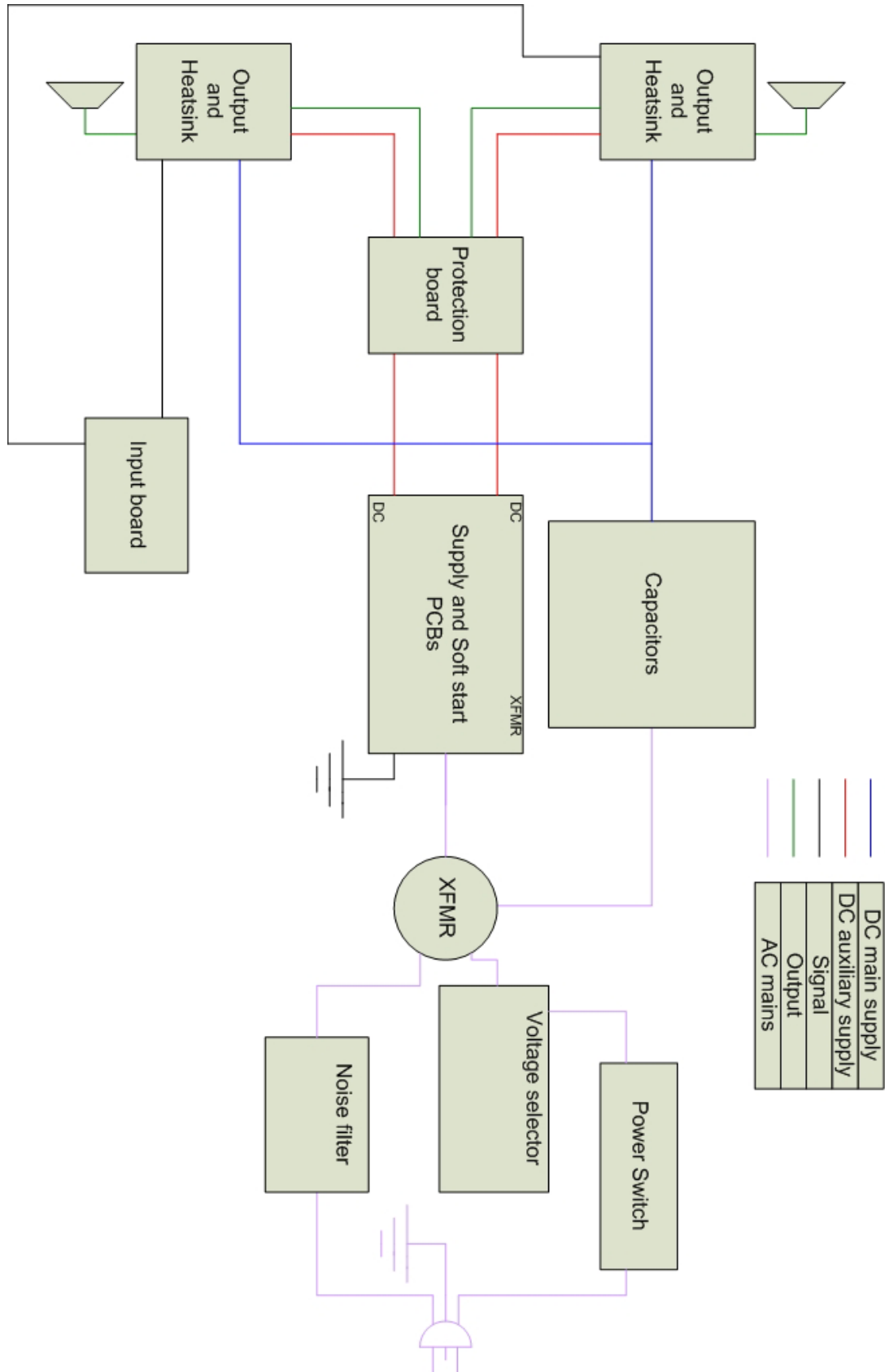
## Important Notes on Servicing

1. ALWAYS observe ESD precautions when handling electronic modules or PCBAs.
2. NEVER exchange boards with a different revision number, unless authorized by Classé.
3. ALWAYS use Classé original replacement parts. The use of generic parts may void the warranty of the unit.

## Ordering Replacement Parts

There may be a delay in processing incomplete requests. Please be sure to include all required information. Remember to quote the serial number of the unit on all replacement part orders and the Classé order number when returning defective parts for credit.

# Block diagrams



# Start Up Procedure

When receiving a unit, an assiduous visual inspection must be performed. Do not connect the unit without analysing the symptoms reported by the customer and the results of the inspection.

Using the troubleshooting guide, find the problem and proceed to the repair. Once this step is done, follow these steps, known as the start-up procedure, to ensure that everything in the unit is in working condition.

1. Proceed with a post repair visual inspection. Take the time to check if every wire is reconnected properly, every screw is bolted on, no soldering and/or metal residues lying in the unit, every fuse has been replaced, etc.
2. Connect the unit to a variable transformer, setted to 0Vac.
3. Turn the bias trimpot (R18) counter clockwise until a click is heard.
4. Slowly raise the voltage to 10Vac, and check positive and negative rails and pre-driver supply. Check fuses.
5. If one or more supply are not within specifications, return to the troubleshooting guide.
6. Slowly raise voltage until you hear relays click, this point is around 55Vac. Recheck every supply.
7. If one or more supply are not within specifications, return to the troubleshooting guide.
8. Raise voltage to 120Vac. Recheck every supply
9. Report to Calibration and adjustments to adjust bias and DC offset. Note that bias can be adjusted to 14mV, and the following tests can be performed before the unit is send to the burn-in bench for a 24 hours warm-up.
10. Connect the unit to a load, and to a source using balanced inputs and single ended inputs, independently.
11. Perform a test with a 200Hz, a 2kHz and a 20kHz tone, both sinus wave and square wave. Check the output with a oscilloscope, on 4 ohms and 8 ohms loads. Take special cares about oscillation and phase correlation between channels.
12. Connect the unit to a small speaker, and short the input. Check for any noise. Perform this step with single ended inputs and balanced inputs, independently.
13. Put the unit on a burn-in bench, and let it sit for 24 hours, then readjust bias. Let the unit on the burn-in bench for another 72 hours.
14. Redo steps 10 to 13 before shipping to the customer.

## Protection Modes and Indicators

The protection circuit on the DR-15 / MODEL 15 is triggered by a high DC offset condition. This is the only protection available on this unit. Therefore, extra precautions should be taken to make sure the unit is OFF before manipulating the connections.

When a high DC offset is present at the output, the protection circuit opens both output relays, even if the condition is only present on one channel. If the relays are intermittently clicking, DC offset should be monitored for a long period of time, to make sure DC offset caused that condition, and not the protection circuit itself that is running out of specifications.

# Troubleshooting Guide

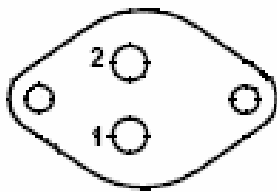
Symptom	Possible cause
Unit won't turn on	Check connections; Check fuses; Check soft-start circuit; Check relays; Check power supply circuits (positive rail, negative rail, Mosfet supply).
Smoked and/or burned components	Check for short between components and ground; Check output transistors; Check output relays; Check power supply circuits (positive rail, negative rail, Mosfet supply).
Blown fuses	Check for short between fuse and ground; Check power supply circuits (positive rail, negative rail, Mosfet supply).
No output	Check connexions; Check output relays; Check power supply circuits (positive rail, negative rail, Mosfet supply); Check output transistors.
Unit turn into protection	Check for smoked and/or burned components; Check power supply circuits (positive rail, negative rail, Mosfet supply); Check source and load; Check protection circuit; Check sensor wires between sensor PCB and control PCB; Check outputs transistors and Mosfet drivers.
Excessive buzz and/or hum	Check electrical lines; Check for a ground loop in the system.
Oscillation	Check source; Check capacitors on main board; Check 4.7Ω resistor.
Intermittent signal	Check connections; Replace shield wires.
Intermittent / fast output relay click	Check DC offset before relays; Check relays; Check capacitors on protection circuit.

# Output Transistors Testing and Replacement



**PLEASE NOTE THAT THESE TESTS ARE ONLY EFFECTIVE ON BIPOLAR TRANSISTORS. DO NOT PERFORM THESE TESTS ON MOSFET DEVICES, AS THEY ARE LIKELY TO BECOME SHORT DURING THE TEST.**

You should check all pin combinations, as there is a chance that only one side of the transistor is short. When replacing output transistors, the technician should first disconnect both outputs and main board to check if the blown outputs were caused by a faulty component on the amplifier's base. Blown output transistors should be replaced by kits, not individually. These kits contain matched transistors for both rails of one channel. When replacing blown output transistors, you must also replace positive and negative Mosfet drivers and bias transistor. Carefully inspect 4.7Ω resistor and 10Ω soft start resistor, and replace if necessary. Replace any burnt component or board.



Pins : 1      Base  
         2      Emitter  
         Case   Collector

You should have these results, if the transistor is good.

MJ15024 (NPN)

Positive lead	Negative lead	Result
B	C	Conductive
B	E	Conductive
C	B	Infinite
C	E	Infinite
E	B	Infinite
E	C	Infinite

MJ15025 (PNP)

Positive lead	Negative lead	Result
B	C	Infinite
B	E	Infinite
C	B	Conductive
C	E	Infinite
E	B	Conductive
E	C	Infinite



# Calibrations and Adjustments

## Bias adjustment:

Note: Bias adjustment should be made without any load connected to the amplifier's output, and no signal connected to the amplifier's input.

1. Connect a multimeter to one of the emitter resistor leads and set the multimeter to mV scale.
2. Turn trimpot R18 counterclockwise until it reaches 0Ω. A click should be heard.
3. Turn on amplifier, and let it warm up for 15 minutes on idle.
4. Adjust trimpot R18 to get a 14mV reading.
5. Let the amplifier warm up for a 24 hours period with signal and load.
6. Remove signal and load, and reconnect the multimeter, setted to mV scale, to one of the emitter resistor leads.
7. Readjust R18 to 22mV

## DC offset:

Note: DC offset adjustment should be made without any load connected to the amplifier's output, and no signal connected to the amplifier's input.

1. Connect a multimeter to the output binding posts and set the multimeter to mV scale.
2. Adjust trimpot R5 in order to reach 0mV. It is easier to turn the trimpot 1/2 turn at a time, and let DC offset stabilize in order to get an accurate reading.
3. A tolerance of  $\pm 1\text{mV}$  is acceptable.

# Fuses



**EXTRA PRECAUTIONS SHOULD BE TAKEN WHEN REPAIRING, MODIFYING, OR TROUBLESHOOTING IN THE POWER SUPPLY AREA. UNIT MUST BE DISCONNECT FROM MAIN SOURCE AND CAPACITORS MUST BE DISCHARGED USING A 100W INCANDESCENT BULB.**



**WHEN REPLACING FUSES, PLEASE MAKE SURE THAT THE FUSE HOLDERS ARE HOLDING THE FUSES VERY TIGHTLY. A LOOSE FUSE HOLDER CAN TRANSLATE INTO DISTORTION ON TOP OF THE SIGNAL.**

Main fuses:

For 100 – 120v units: 10A slo-blo, Classe part number MDA-10A

For 220 – 240v units: 8A slo-blo, Classe part number MDL-8A

The main fuse is located at the back of the unit, on the rear panel.

# Voltage Change

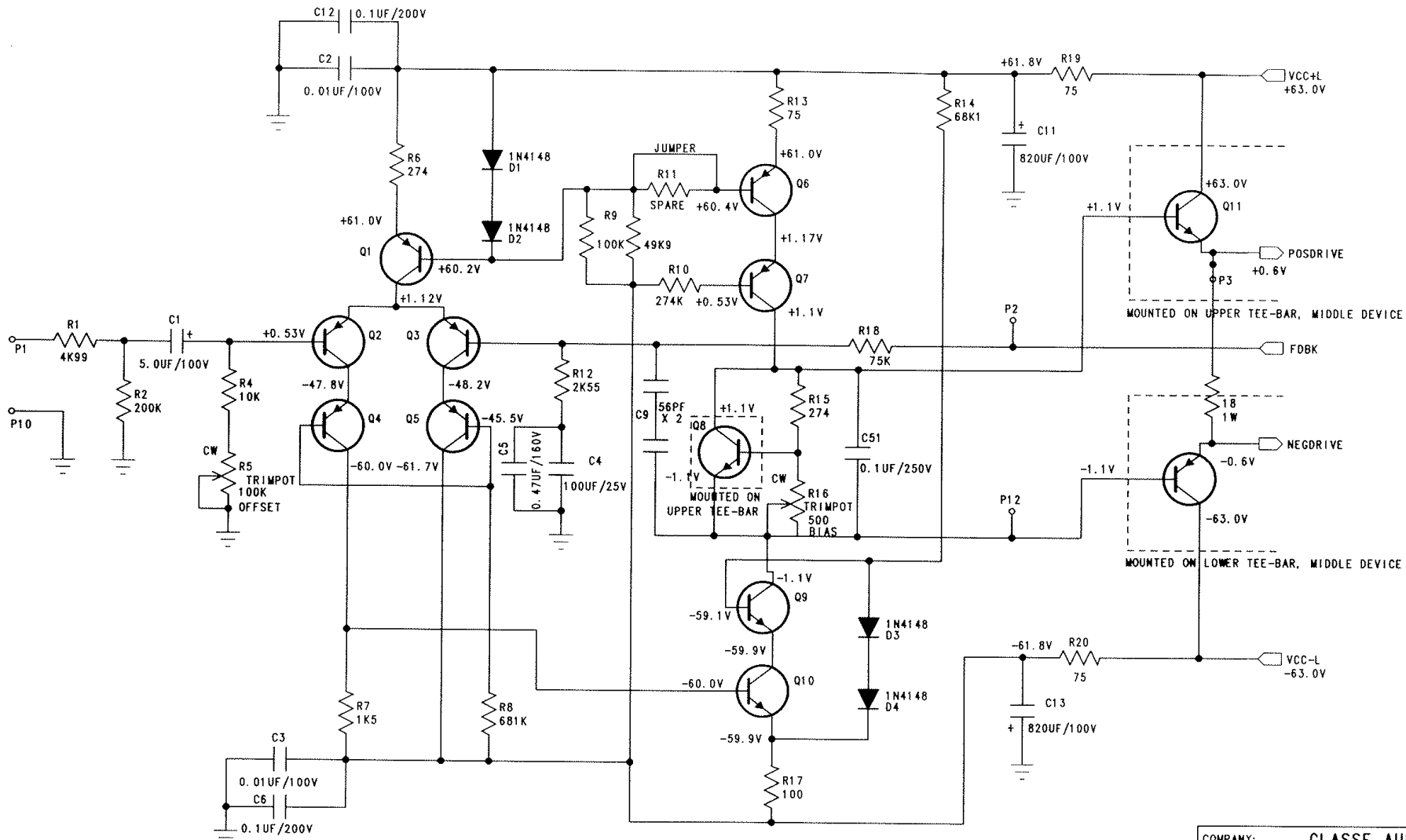


**EXTRA PRECAUTIONS SHOULD BE TAKEN WHEN REPAIRING, MODIFYING, OR TROUBLESHOOTING IN THE POWER SUPPLY AREA. UNIT MUST BE DISCONNECT FROM MAIN SOURCE AND CAPACITORS MUST BE DISCHARGED USING A 100W INCANDESCENT BULB.**

1. Set the jumper position according to the table below.
2. Replace the varistor, according to new line voltage, following Classe's recommendations. If varistor is not available, remove old varistor and leave it empty.

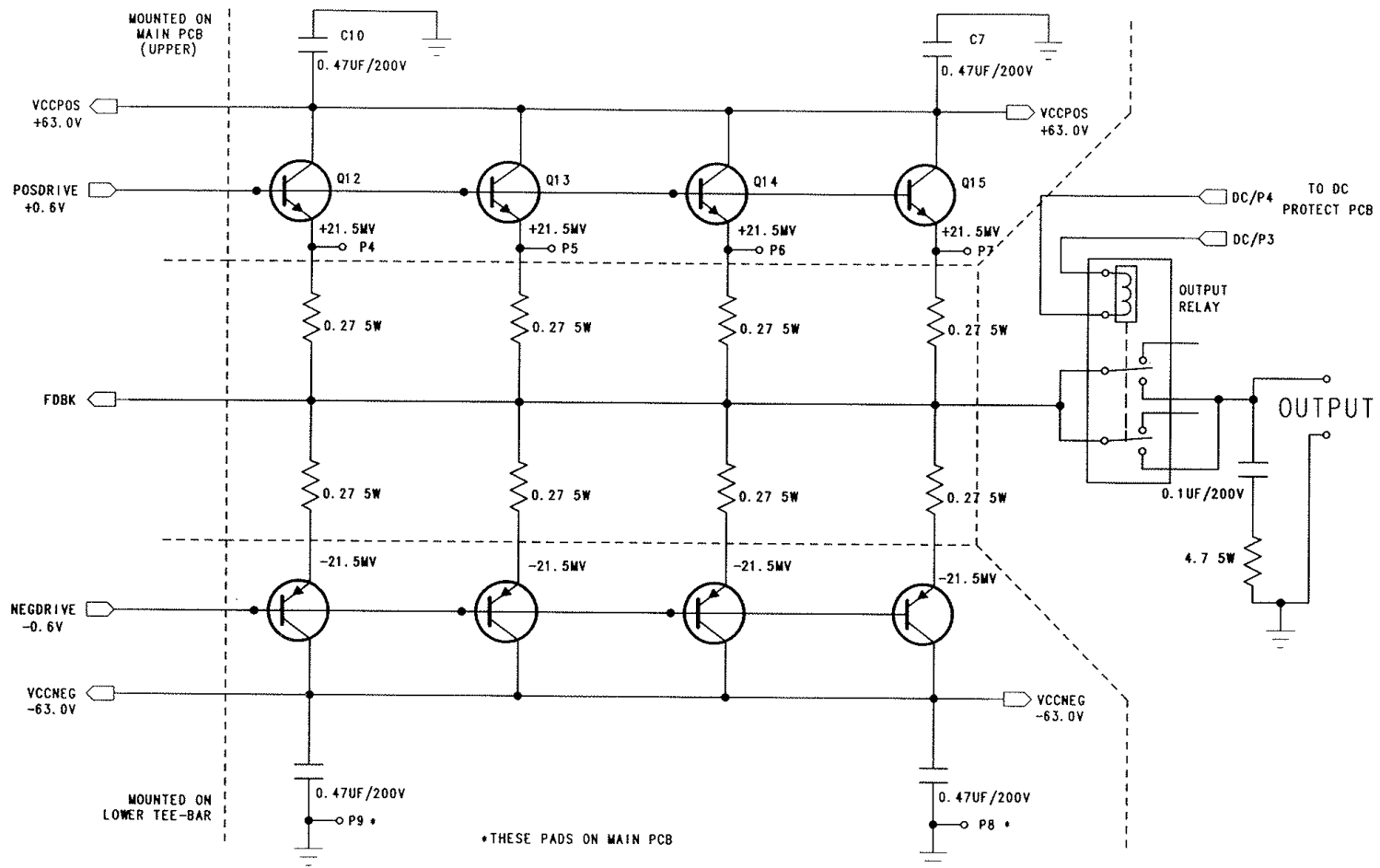
Jumper positions, main transformer

Mains	Jumper 1	Jumper 2	Jumper 3	Varistor
100VAC	A	E	F	221
120VAC	A	C	D	221
220VAC	B	E	-	391 / 441
240VAC	B	D	-	391 / 441



LEFT CHANNEL SHOWN

COMPANY: CLASSE AUDIO INC.		
TITLE: DR-15 POWER AMPLIFIER		
DESC: MAIN PCB		
DRAWING NO: 5011LR2		
DRAWN: DJR	DATE: FEB. 25/91.	SHEET: 1 OF 6

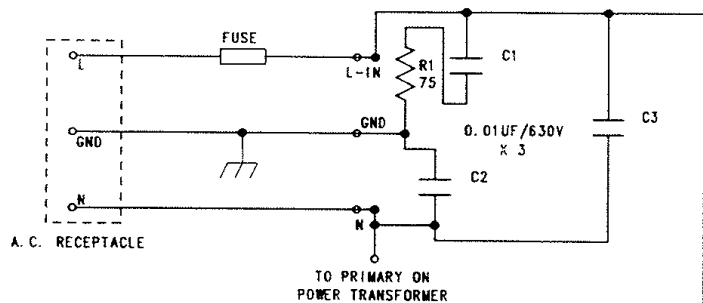


COMPANY:	CLASSE AUDIO INC.		
TITLE:	DR-15 POWER AMPLIFIER		
DESC:	OUTPUT STAGE		
DRAWING NO:	DR-15-2		
DRAWN:	DJR	DATE: FEB. 25/91.	SHEET: 2 OF 6

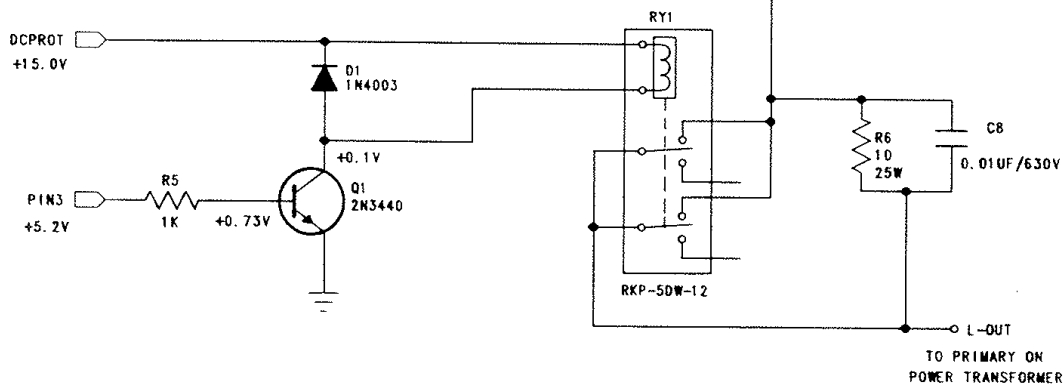
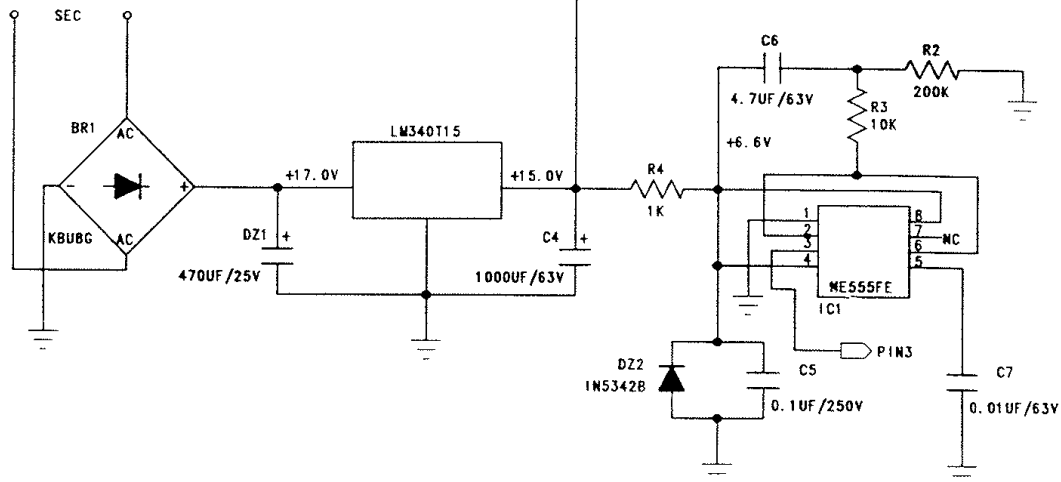
FUSE VALUES:

DR-15:  
100-120VAC: 8 AMP FAST-BLO  
220-240VAC: 4 AMP FAST-BLO

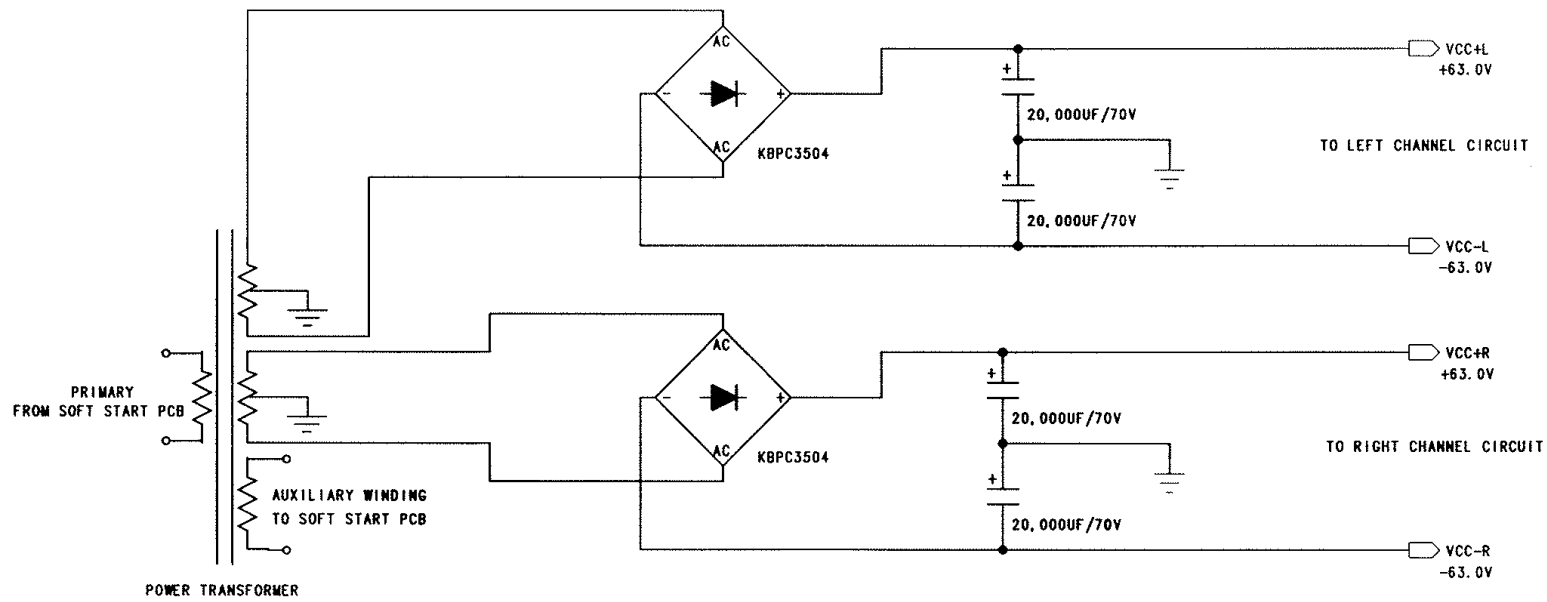
DR-25:  
100-120VAC: 12 AMP FAST-BLO  
220-240VAC: 6 AMP FAST-BLO



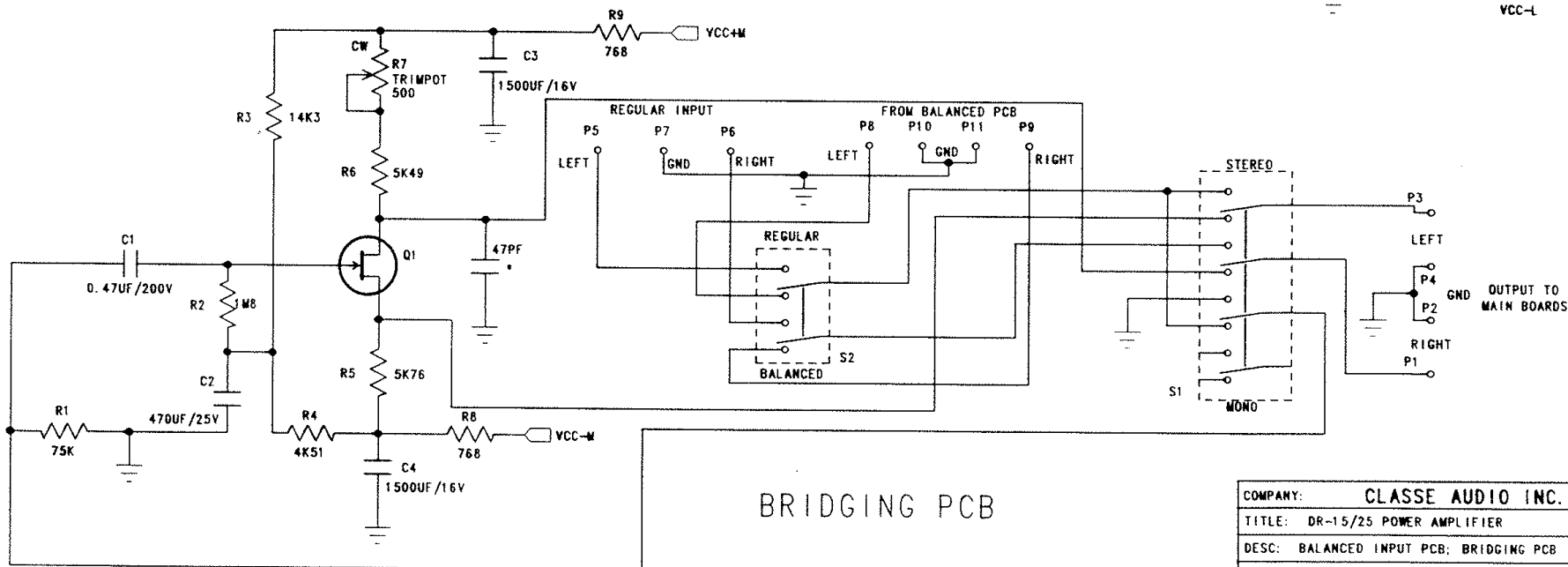
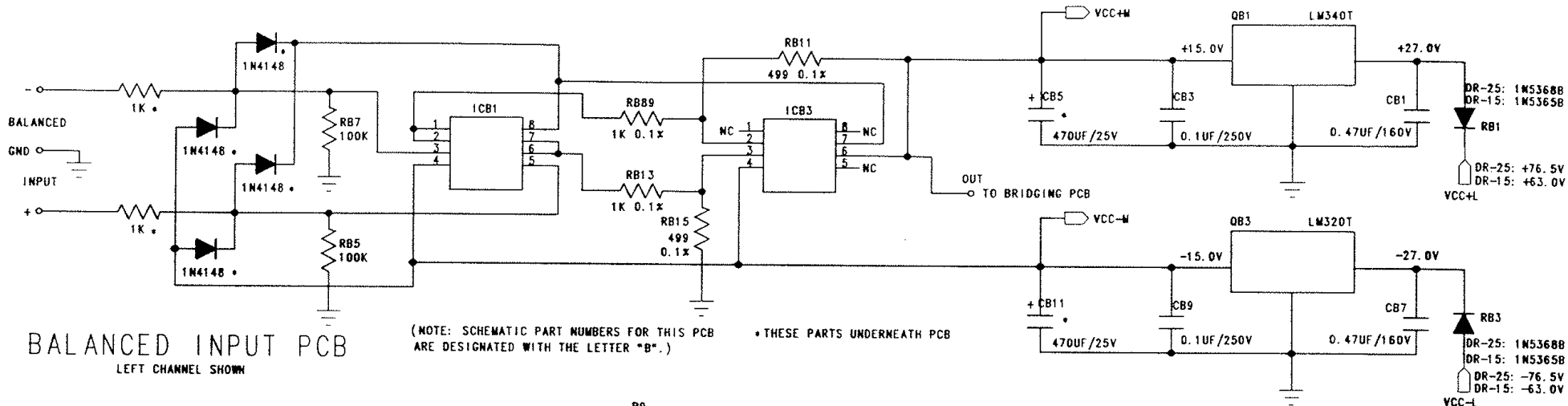
TO AUXILIARY WINDING ON POWER TRANSFORMER

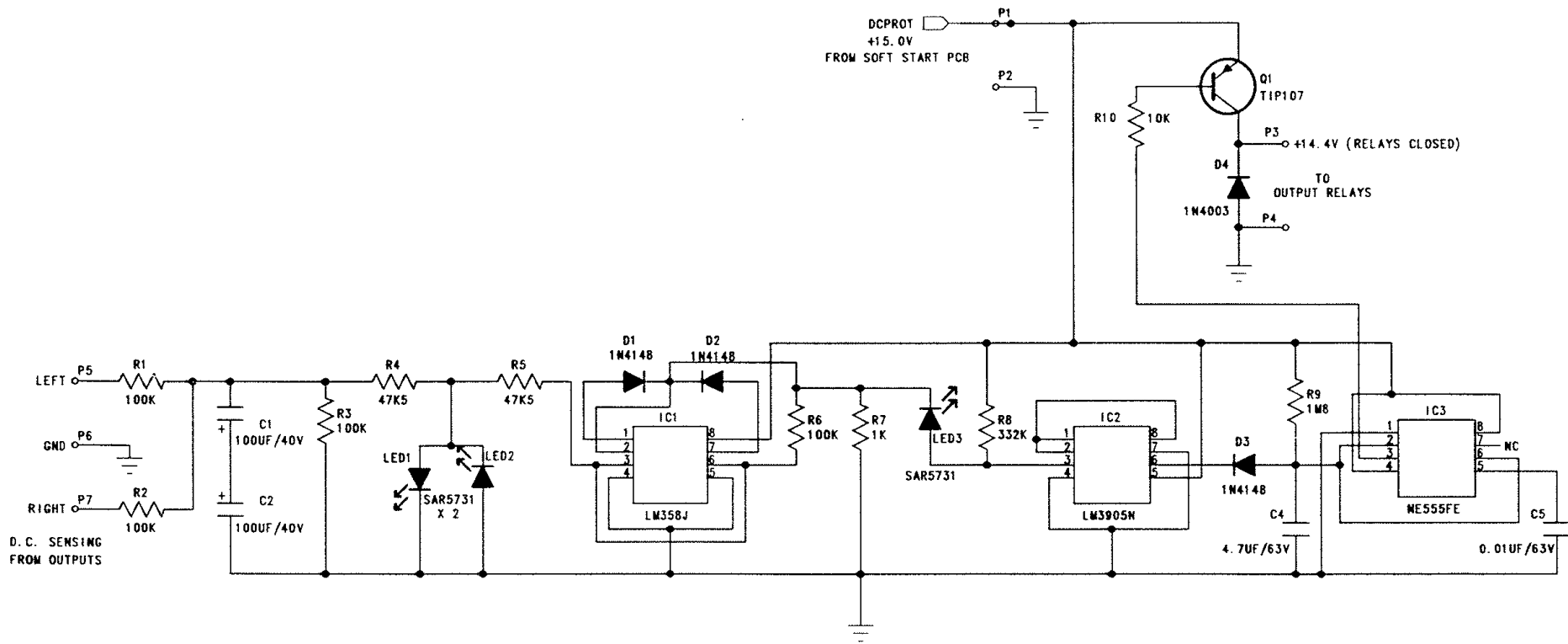


COMPANY: CLASSE AUDIO INC.		
TITLE: DR-15/25 POWER AMPLIFIER		
DESC: SOFT START		
DRAWING NO: DR-15/25-7R0		
DRAWN: DJR	DATE: FEB 20/91	SHEET: 3 OF 6



COMPANY: CLASSE AUDIO INC.		
TITLE: DR-15 POWER AMPLIFIER		
DESC: MAIN POWER SUPPLY		
DRAWING NO: DR-15-4		
DRAWN: DJR	DATE: FEB. 20/91	SHEET: 4 OF 6





COMPANY:	CLASSE AUDIO INC.		
TITLE:	DR-15/25 POWER AMPLIFIER		
DESC:	D. C. PROTECTION		
DRAWING NO:	50260R1		
DRAWN:	DJR	DATE:	FEB. 25/91. SHEET: 6 OF 6