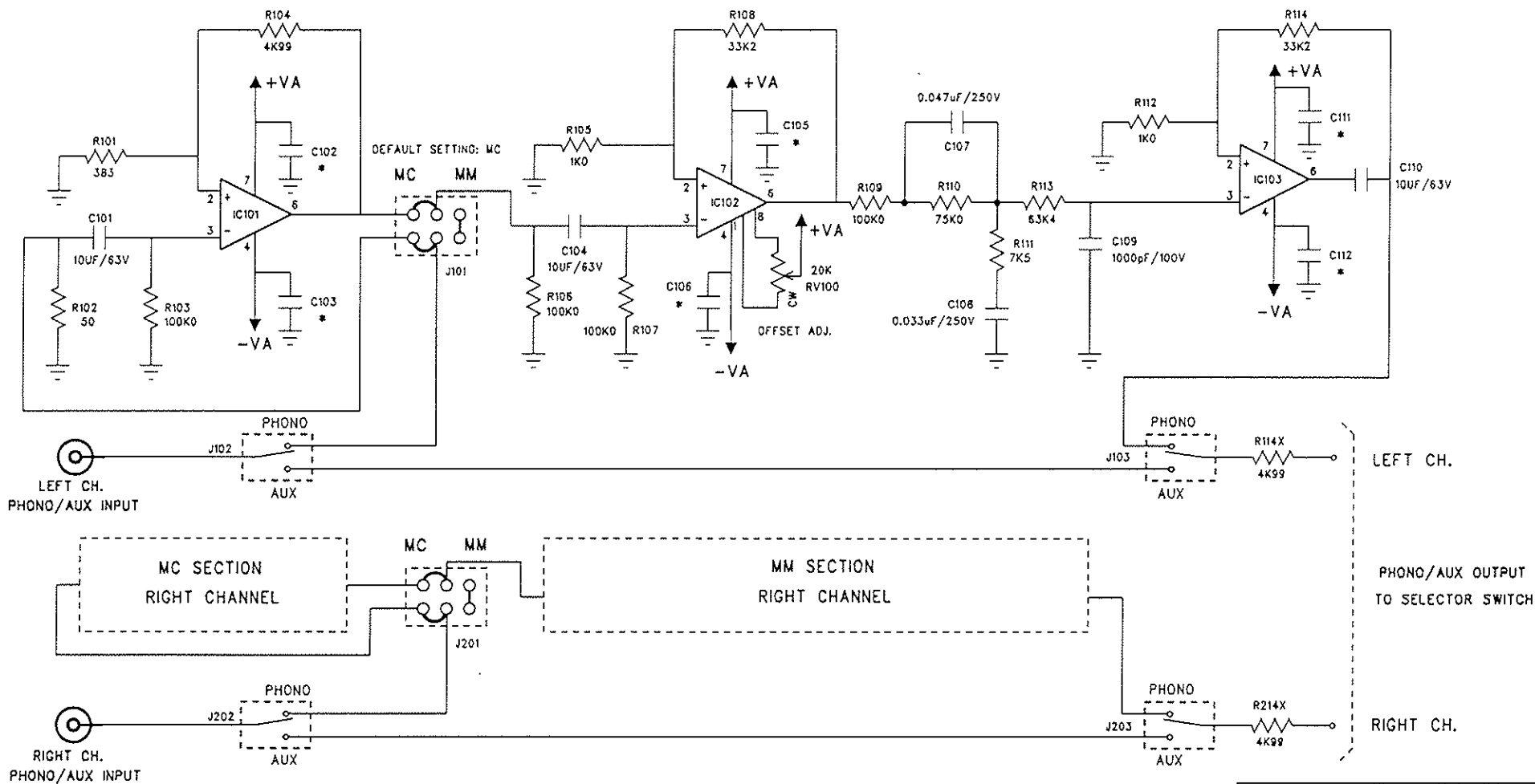


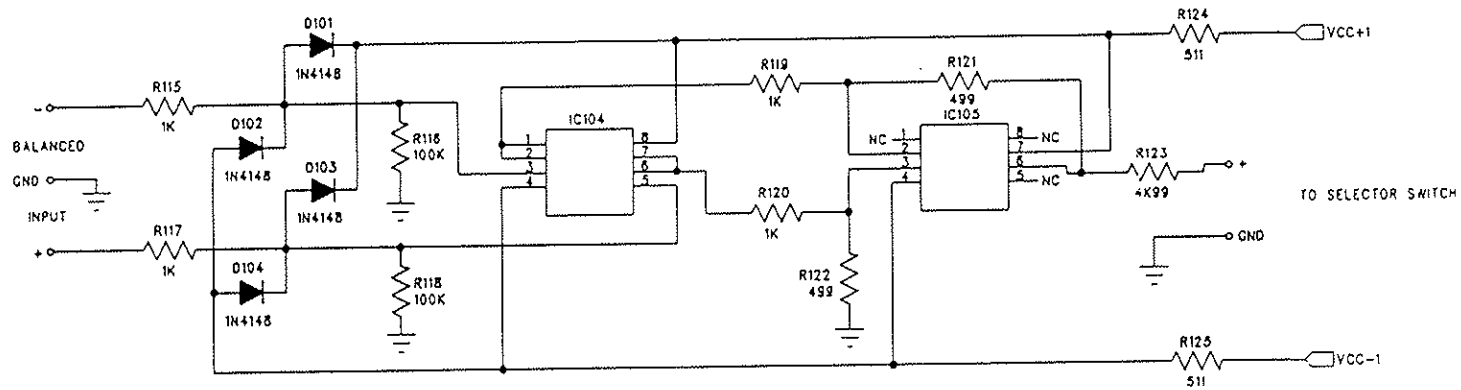
COMPANY: CLASSE AUDIO INC.		
TITLE: CLASSE 30 PREAMPLIFIER		
DESC: FLOW DIAGRAM		
DRAWING NO: 3001A-1		
DRAWN: HVK	DATE: NOV.20/92	SHEET: 1 OF 2



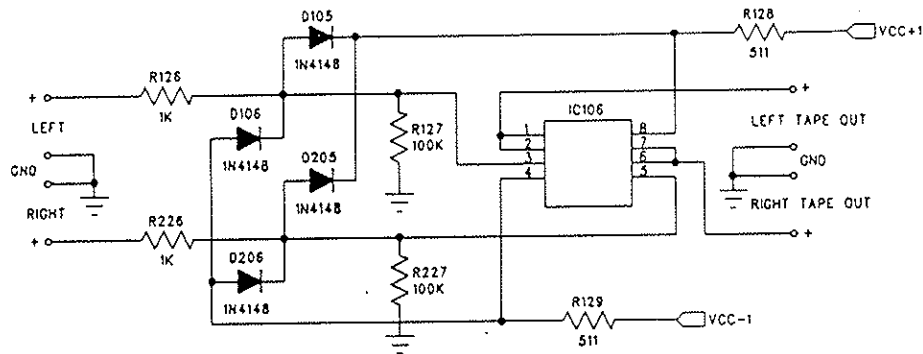
NOTES:

* = DECOUPLING CAP (0.1uF/63V)
 CORRESPONDING PART NAMES IN RIGHT CHANNEL: R2XX, C2XX, D2XX etc..

COMPANY:	CLASSE AUDIO INC.
TITLE:	CLASSE 30 PREAMPLIFIER
DESC:	MC/MM CIRCUITRY
DRAWING NO:	30PHO-1
DRAWN:	NYK
DATE:	NOV 18/92
SHEET:	1 OF 5



BALANCED INPUT (LEFT CH.)

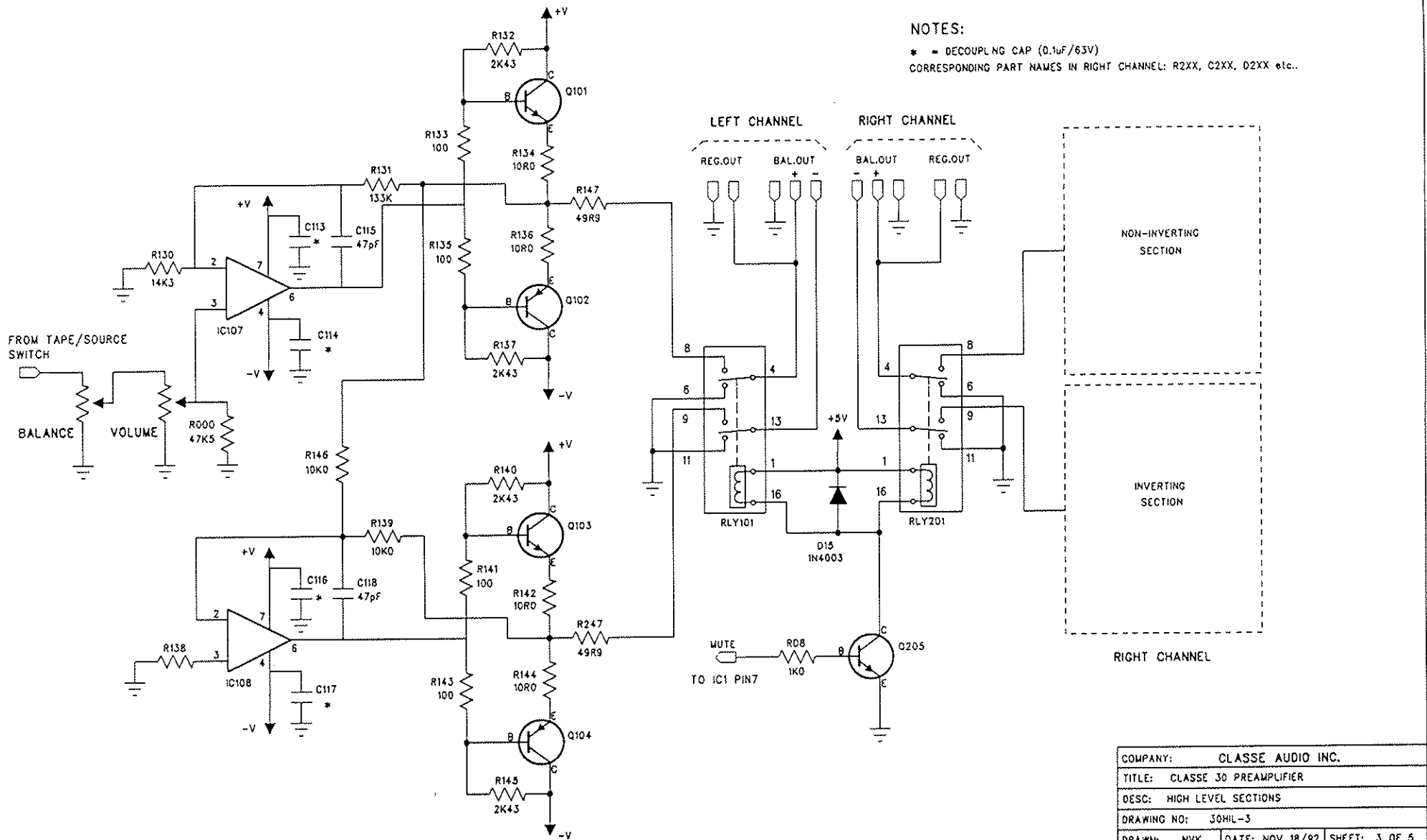


TAPE OUT BUFFER (BOTH CH.)

NOTES:

CORRESPONDING PART NAMES IN RIGHT CHANNEL: R2XX, C2XX, O2XX etc..

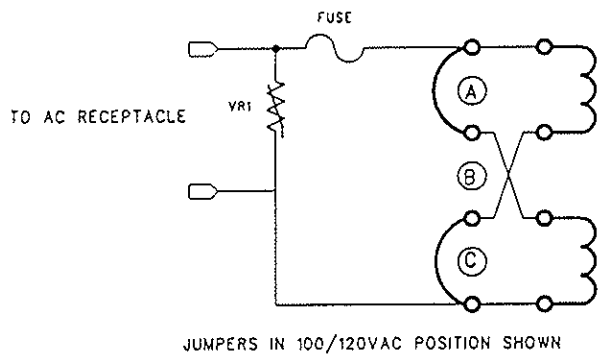
COMPANY: CLASSE AUDIO INC.		
TITLE: CLASSE 30 PREAMPLIFIER		
DESC: BALANCED INPUT / TAPE OUT BUFFER		
DRAWING NO: JOBUF-2		
DRAWN: NVK	DATE: NOV 18/92	SHEET: 2 OF 3



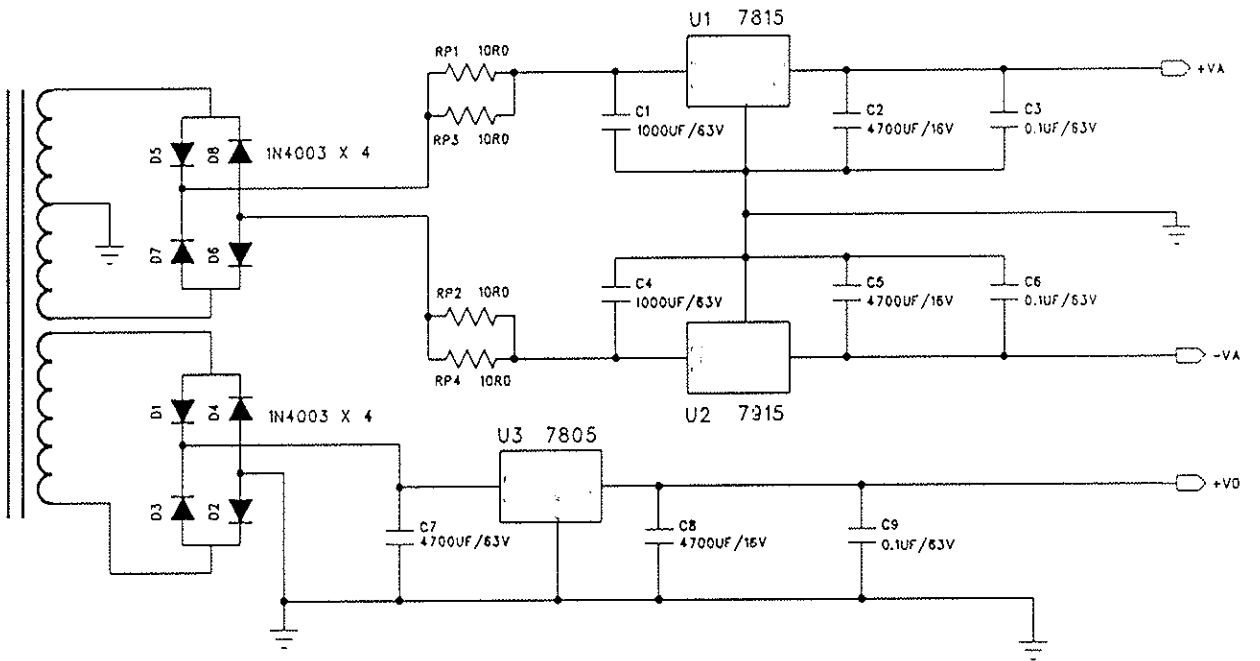
NOTES:

- * = DECOUPLING CAP (0.1uF/63V)
- CORRESPONDING PART NAMES IN RIGHT CHANNEL: R2XX, C2XX, D2XX etc..

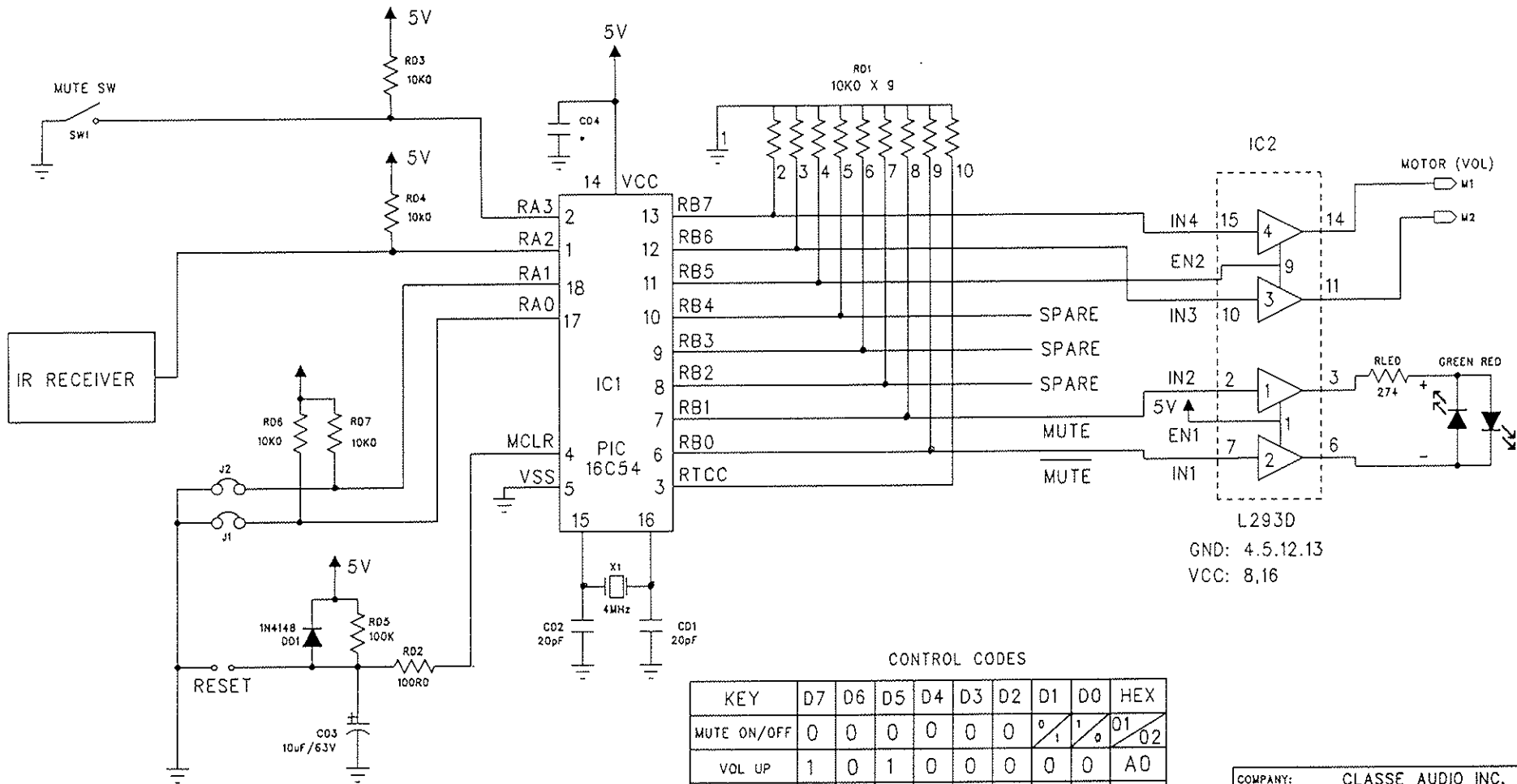
COMPANY:	CLASSE AUDIO INC.
TITLE:	CLASSE 30 PREAMPLIFIER
DESC:	HIGH LEVEL SECTIONS
DRAWING NO:	SOHIL-3
DRAWN:	NVK
DATE:	NOV 18/92
SHEET:	3 OF 5



JUMPERS	A	B	C
100/120 VAC:	IN	OUT	IN
220/240 VAC:	OUT	IN	OUT



COMPANY:	CLASSE AUDIO INC.		
TITLE:	CLASSE 30 PREAMPLIFIER		
DESC:	POWER SUPPLY SECTION		
DRAWING NO:	J0PSS-4		
DRAWN:	NVK	DATE:	NOV 18/92 SHEET: 4 OF 5

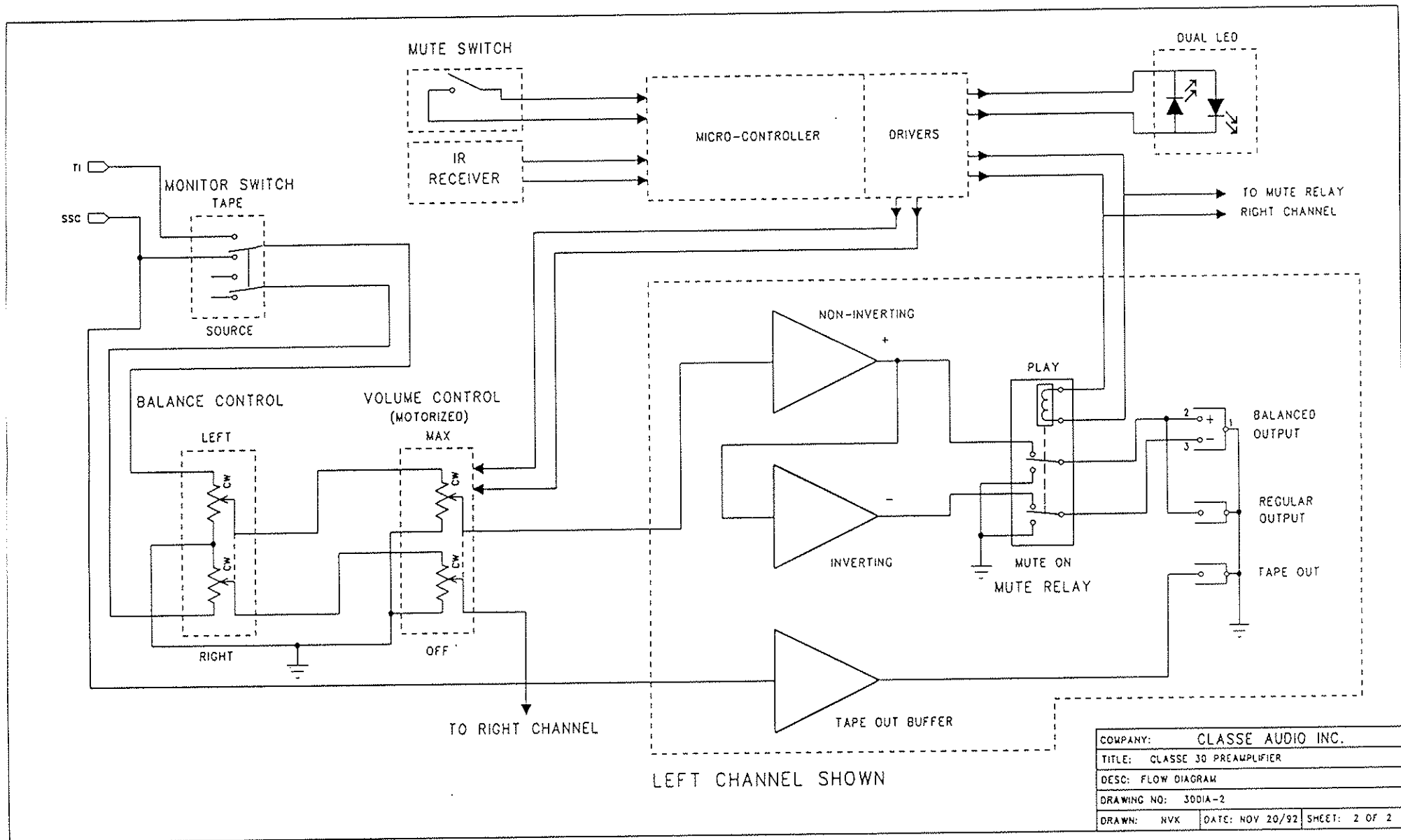


L293D
 GND: 4,5,12,13
 VCC: 8,16

CONTROL CODES

KEY	D7	D6	D5	D4	D3	D2	D1	D0	HEX
MUTE ON/OFF	0	0	0	0	0	0	0/1	0/1	02
VOL UP	1	0	1	0	0	0	0	0	A0
VOL DOWN	0	1	1	0	0	0	0	0	60
BAL R	1	0	0	1	0	0	0	0	90
BAL L	0	1	0	1	0	0	0	0	50

COMPANY:	CLASSE AUDIO INC.
TITLE:	MODEL 30 PREAMPLIFIER
DESC:	MICROCONTROLLER
DRAWING NO:	30MIC-5
DRAWN:	HVK
DATE:	SEPT 24/92
SHEET:	5 OF 5



COMPANY: CLASSE AUDIO INC.		
TITLE: CLASSE 30 PREAMPLIFIER		
DESC: FLOW DIAGRAM		
DRAWING NO: 30DIA-2		
DRAWN: NVX	DATE: NOV 20/92	SHEET: 2 OF 2

**Instruction to converse Classé 20,30,CP-35 and CP-40
to new operating voltage**

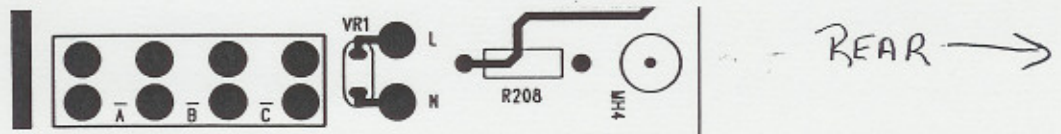
- 1) Unplug unit.
- 2) Remove top cover.
- 3) Change jumpers on right rear corner of PCB as below for new operating voltage.
- 4) Change varistor VR1:

221 for 100V - 120V
441 (or 391) for 220V - 240V

Note: If varistor is not available, remove old one and leave it empty.

- 5) Close top cover.

<u>VOLTAGE</u>	<u>JUMPER (S)</u>
100V - 120V	A, C
220V - 240V	B



← FRONT