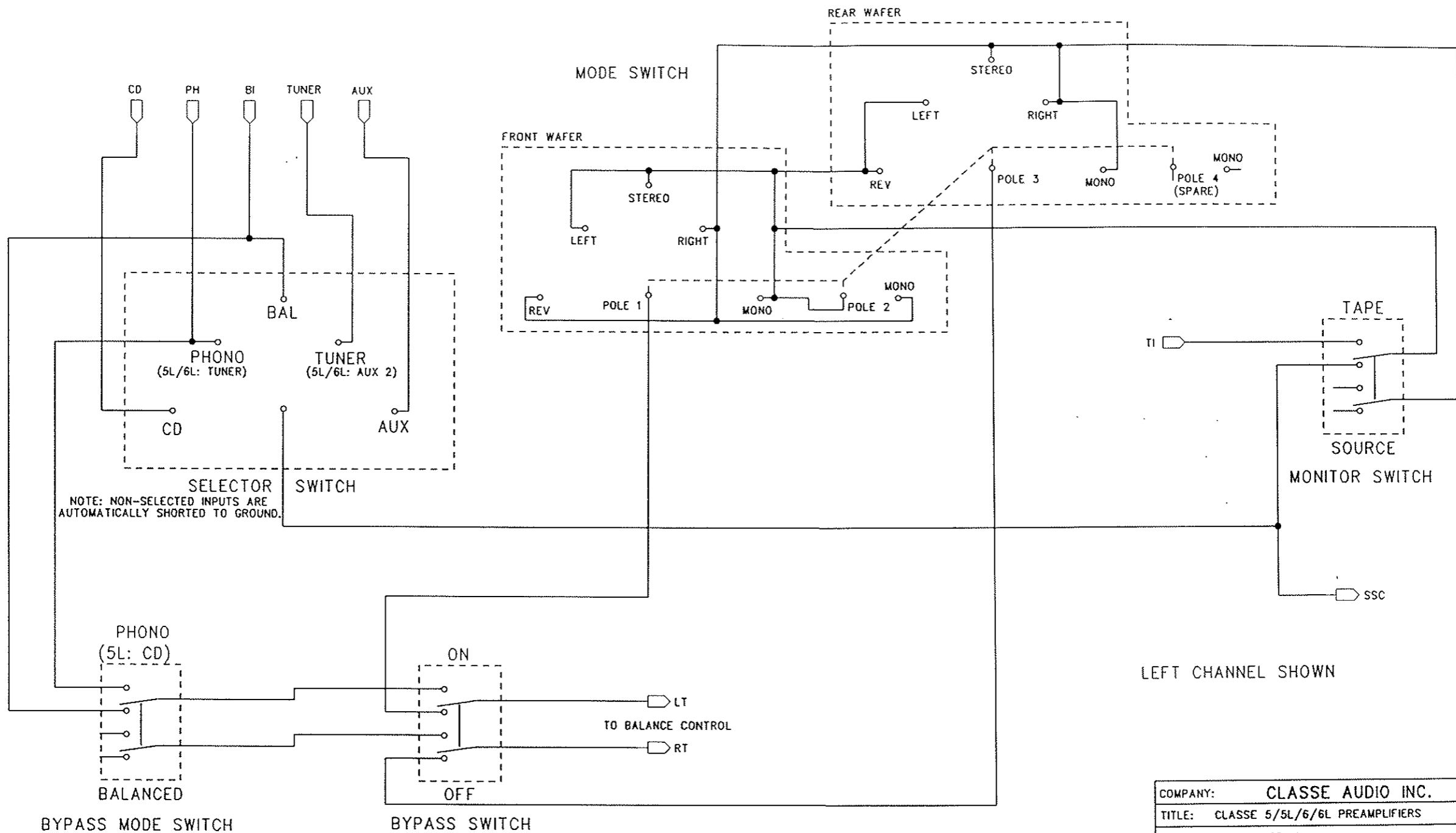
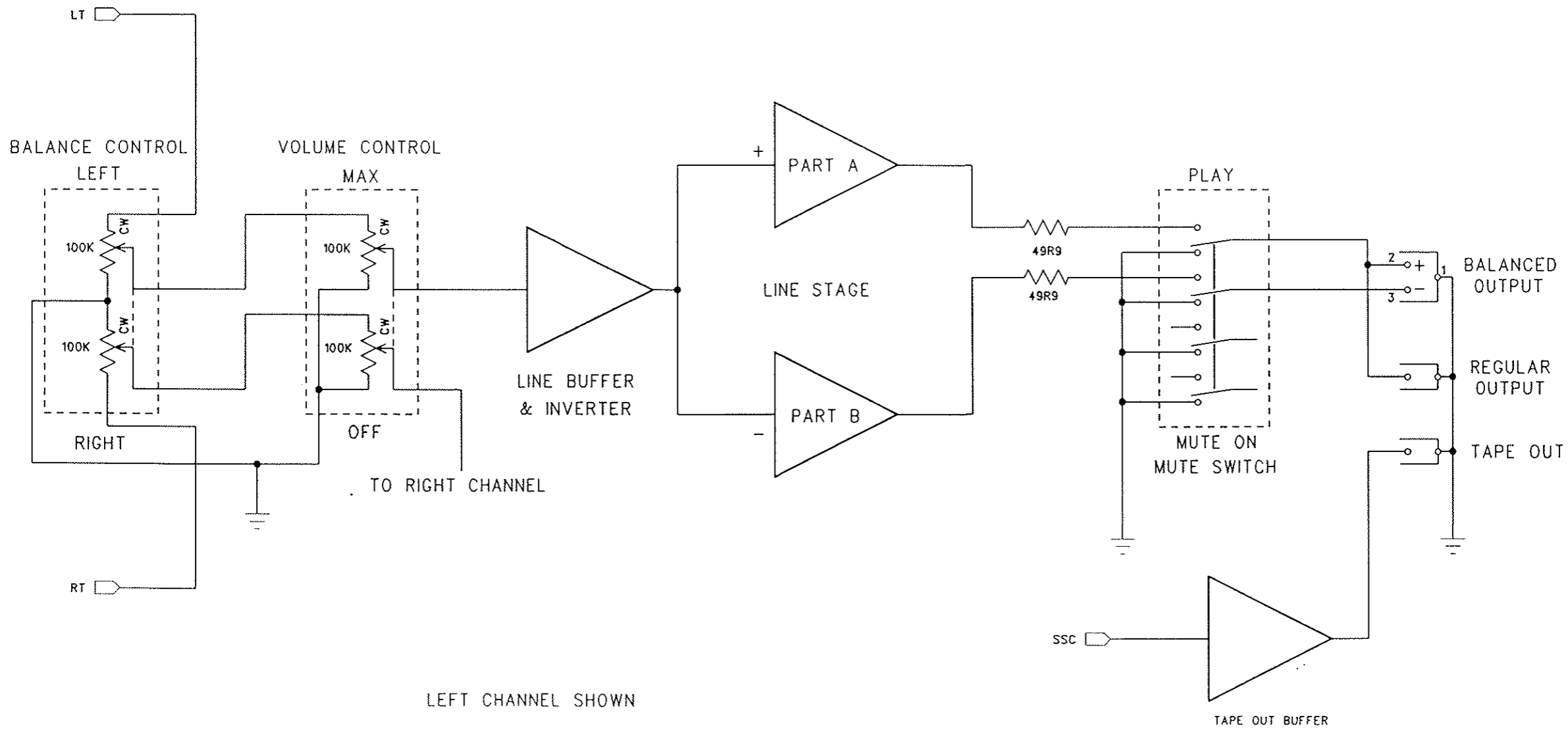


LEFT CHANNEL SHOWN

COMPANY: CLASSE AUDIO INC.		
TITLE: CLASSE 5/5L/6/6L PREAMPLIFIERS		
DESC: FLOW DIAGRAM		
DRAWING NO: 6DIA-1		
DRAWN: DJR	DATE: MAR.8/91.	SHEET: 1 OF 3

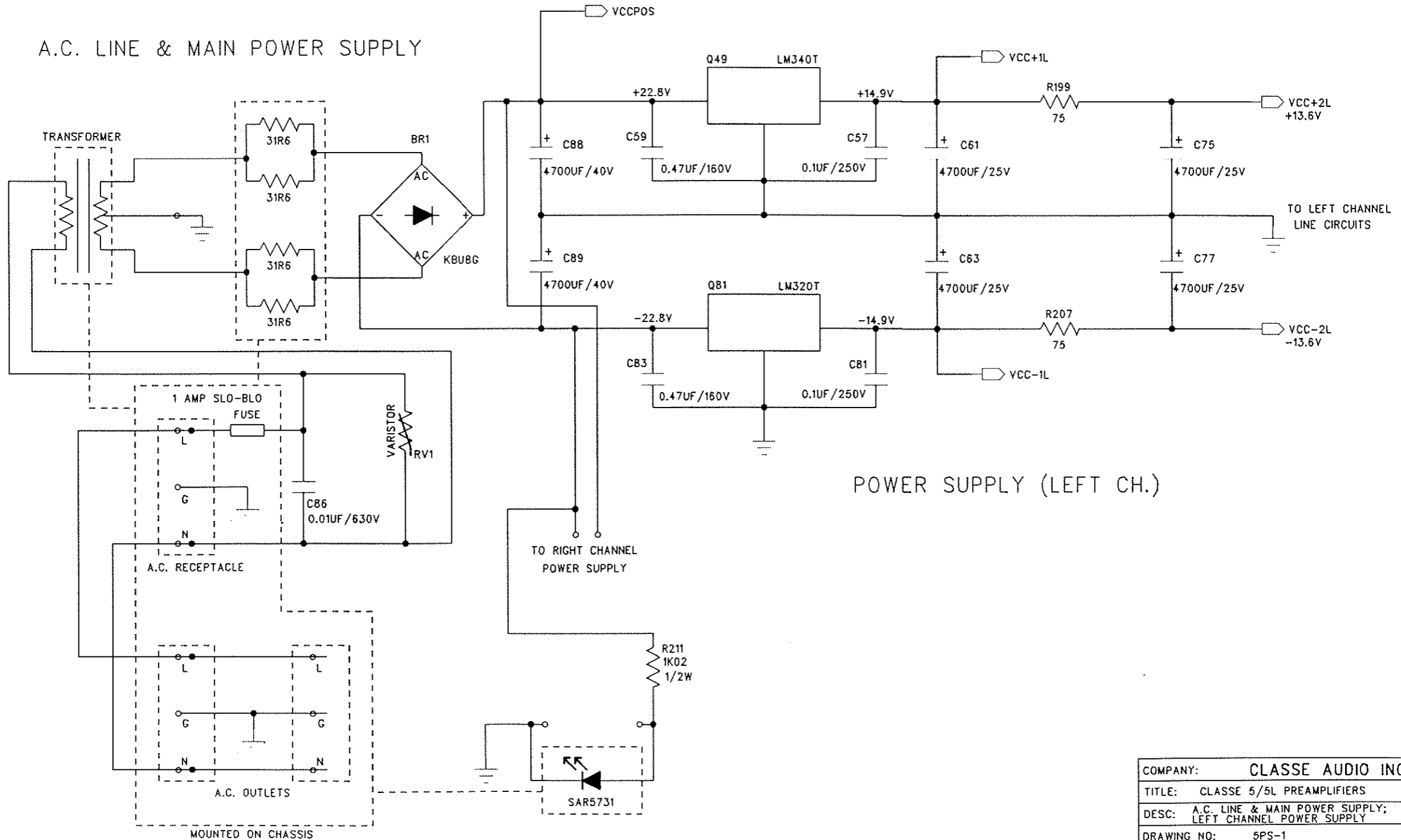


COMPANY:		CLASSE AUDIO INC.	
TITLE:		CLASSE 5/5L/6/6L PREAMPLIFIERS	
DESC:		FLOW DIAGRAM	
DRAWING NO:		601A-2	
DRAWN:	DJR	DATE:	MAR.8/91
		SHEET:	2 OF 3



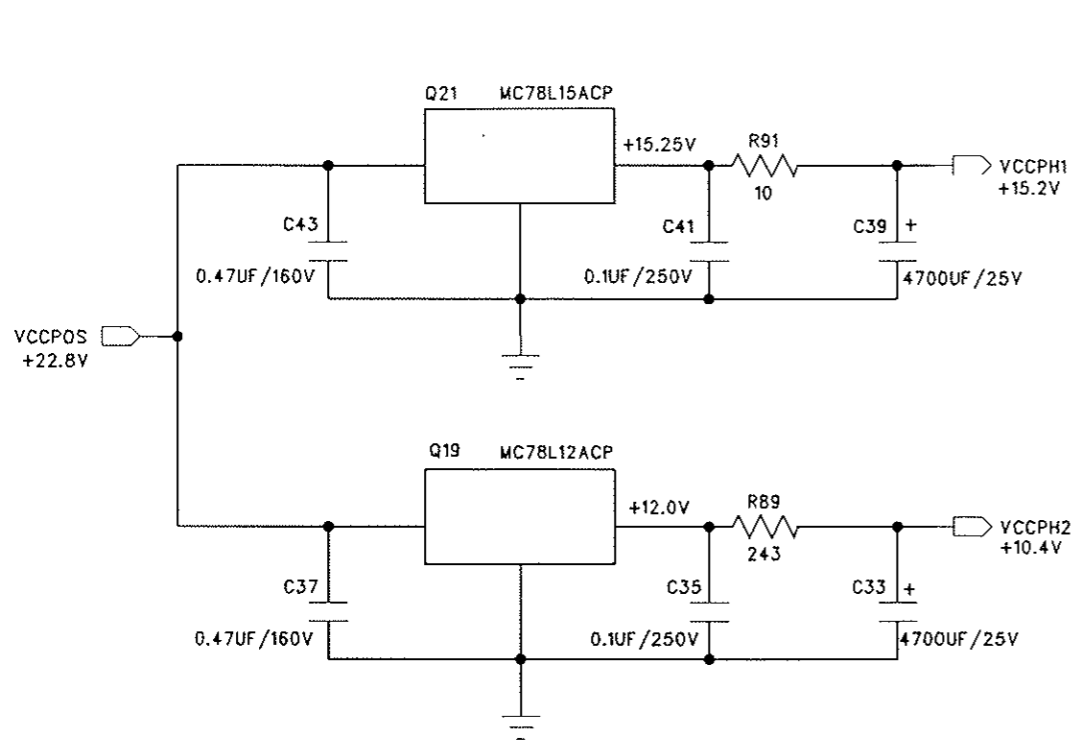
COMPANY:		CLASSE AUDIO INC.	
TITLE:		CLASSE 5/5L/6/6L PREAMPLIFIERS	
DESC:		FLOW DIAGRAM	
DRAWING NO:		6DIA-3	
DRAWN:	DJR	DATE:	MAR.8/91.
		SHEET: 3 OF 3	

# A.C. LINE & MAIN POWER SUPPLY

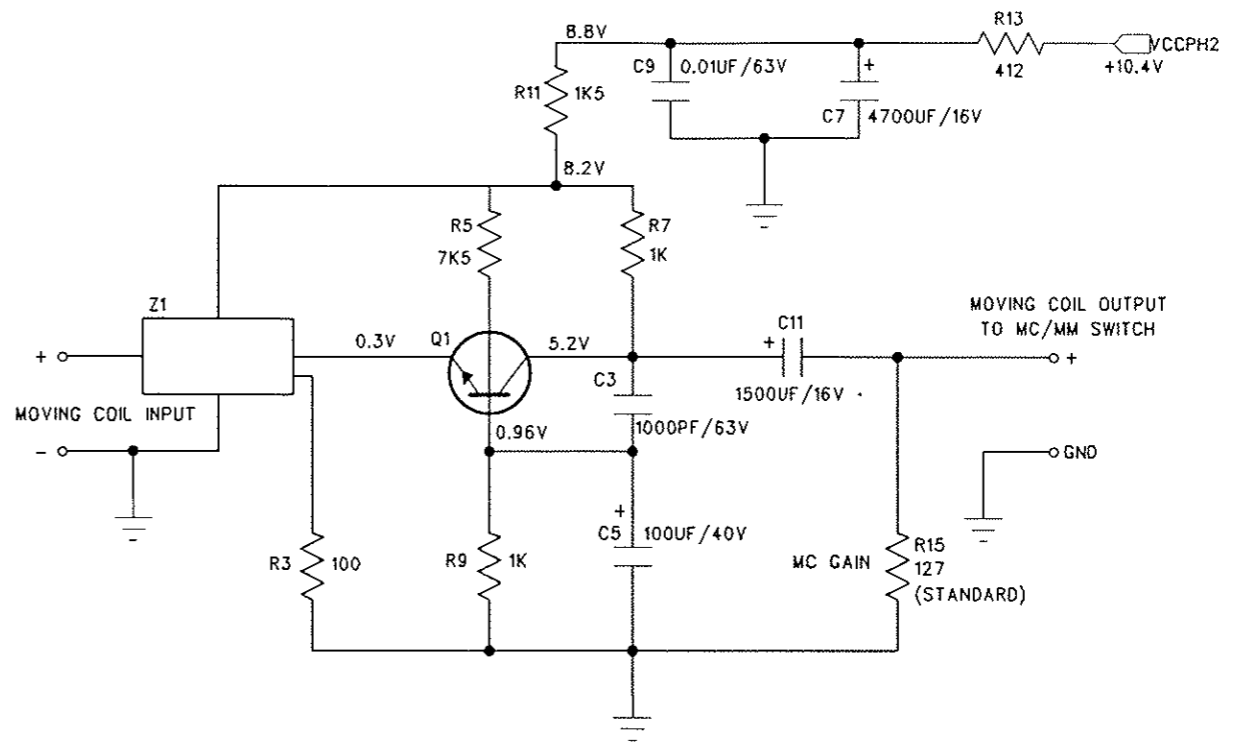


POWER SUPPLY (LEFT CH.)

COMPANY:	CLASSE AUDIO INC.		
TITLE:	CLASSE 5/5L PREAMPLIFIERS		
DESC:	A.C. LINE & MAIN POWER SUPPLY; LEFT CHANNEL POWER SUPPLY		
DRAWING NO:	5PS-1		
DRAWN:	DJR	DATE: FEB.15/91	SHEET: 1 OF 5



PHONO POWER SUPPLY (LEFT CH.)



MOVING COIL PHONO (LEFT CH.)

REVISIONS:

PART NUMBER	WAS	IS	DATE
C3	3300PF/63V	1000PF/63V	JUL. 9/91.

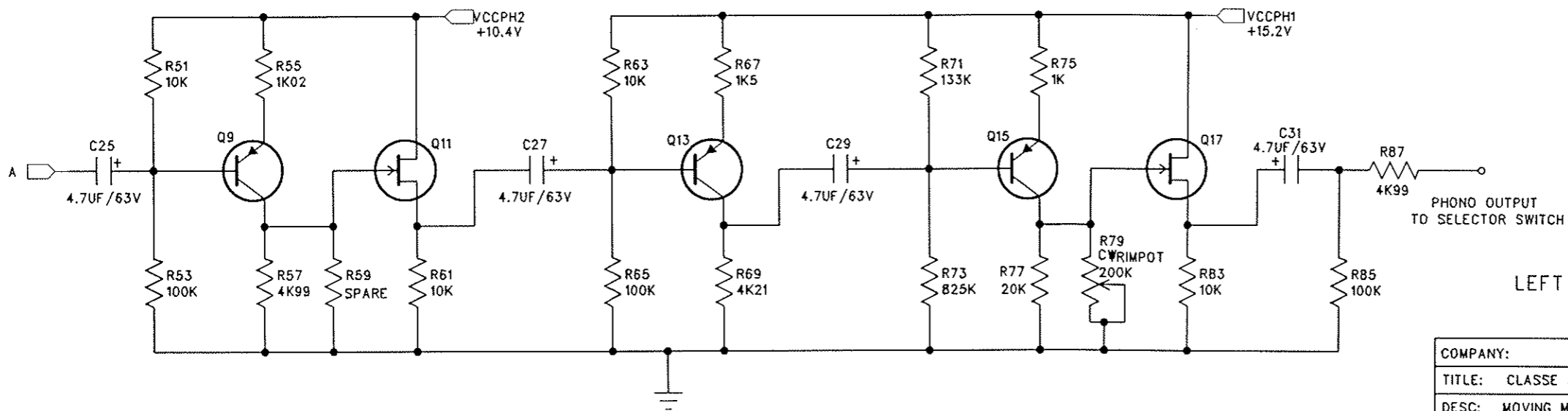
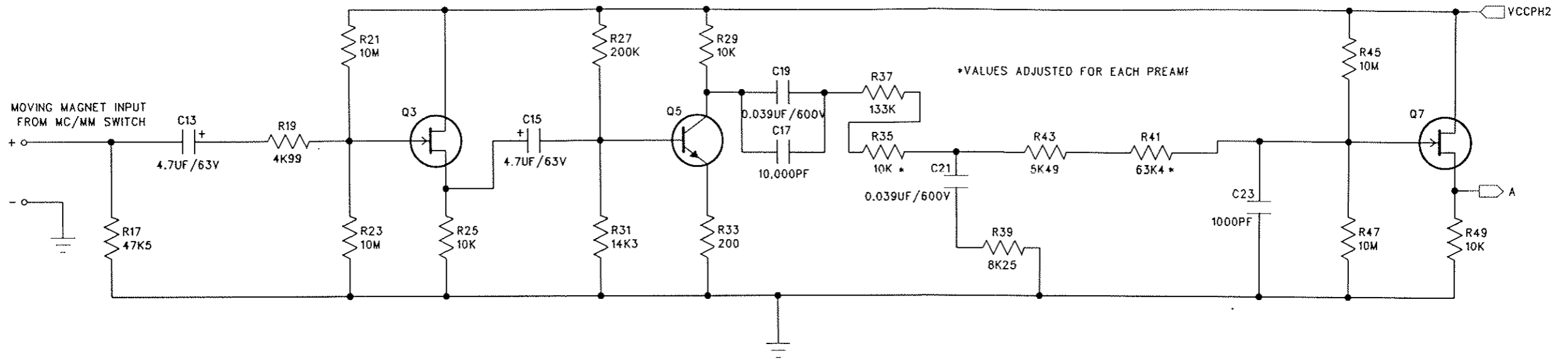
COMPANY: CLASSE AUDIO INC.

TITLE: CLASSE 5/5L PREAMPLIFIERS

DESC: PHONO POWER SUPPLY; MOVING COIL PHONO

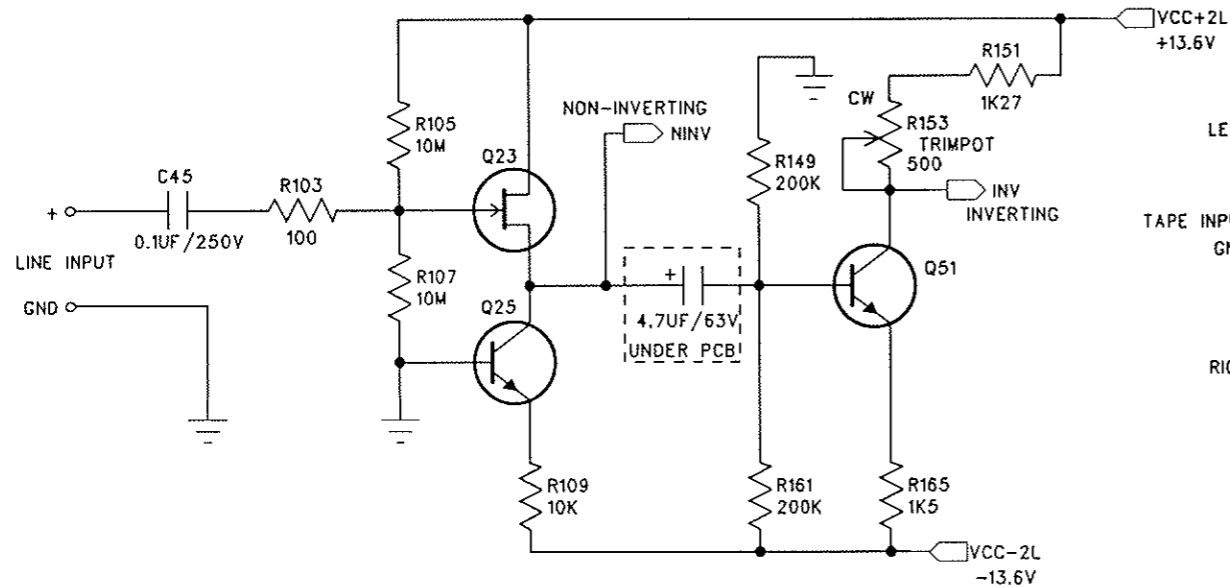
DRAWING NO: 5MC-2

DRAWN: DJR DATE: FEB.15/91 SHEET: 2 OF 5

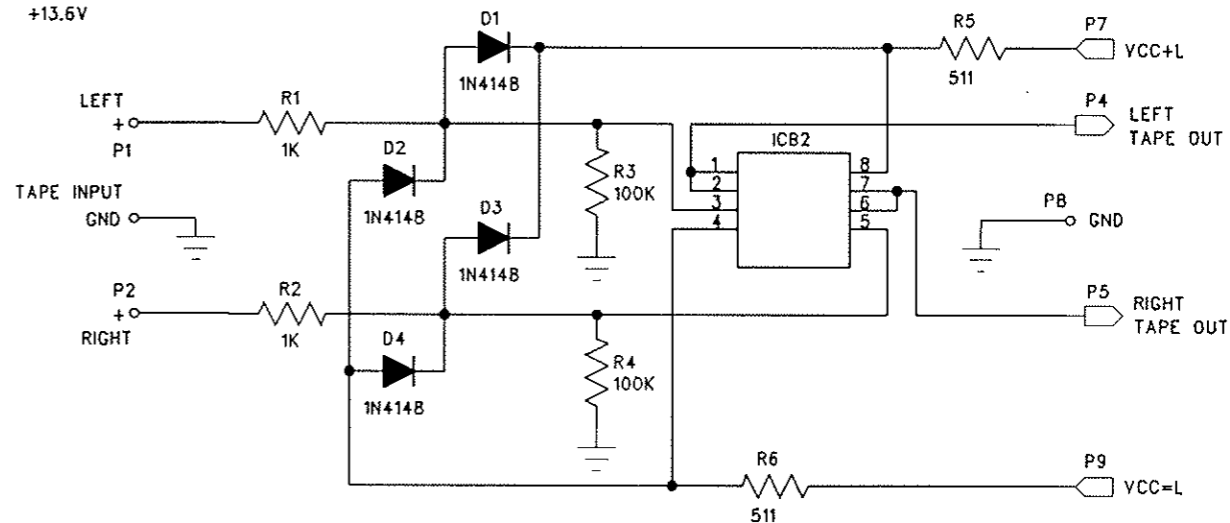


LEFT CHANNEL SHOWN

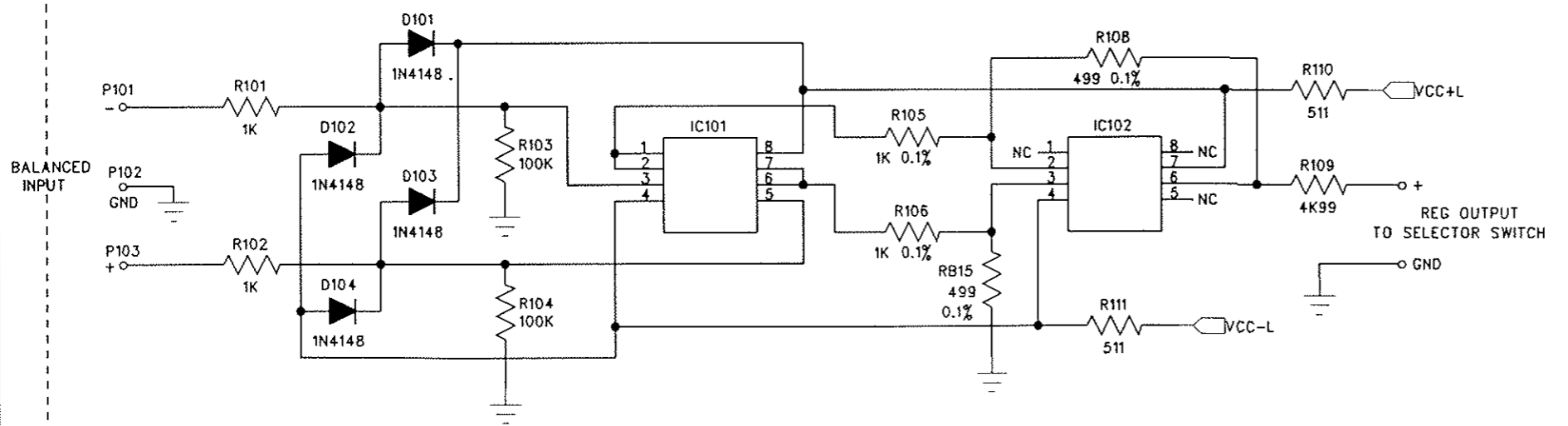
COMPANY:	CLASSE AUDIO INC.		
TITLE:	CLASSE 5/5L PREAMPLIFIERS		
DESC:	MOVING MAGNET PHONO		
DRAWING NO:	5MM-3		
DRAWN:	DJR	DATE:	FEB.15/91
		SHEET:	3 OF 5



LINE BUFFER & INVERTER (LEFT CH.)



TAPE OUT BUFFER (BOTH CHANNELS)



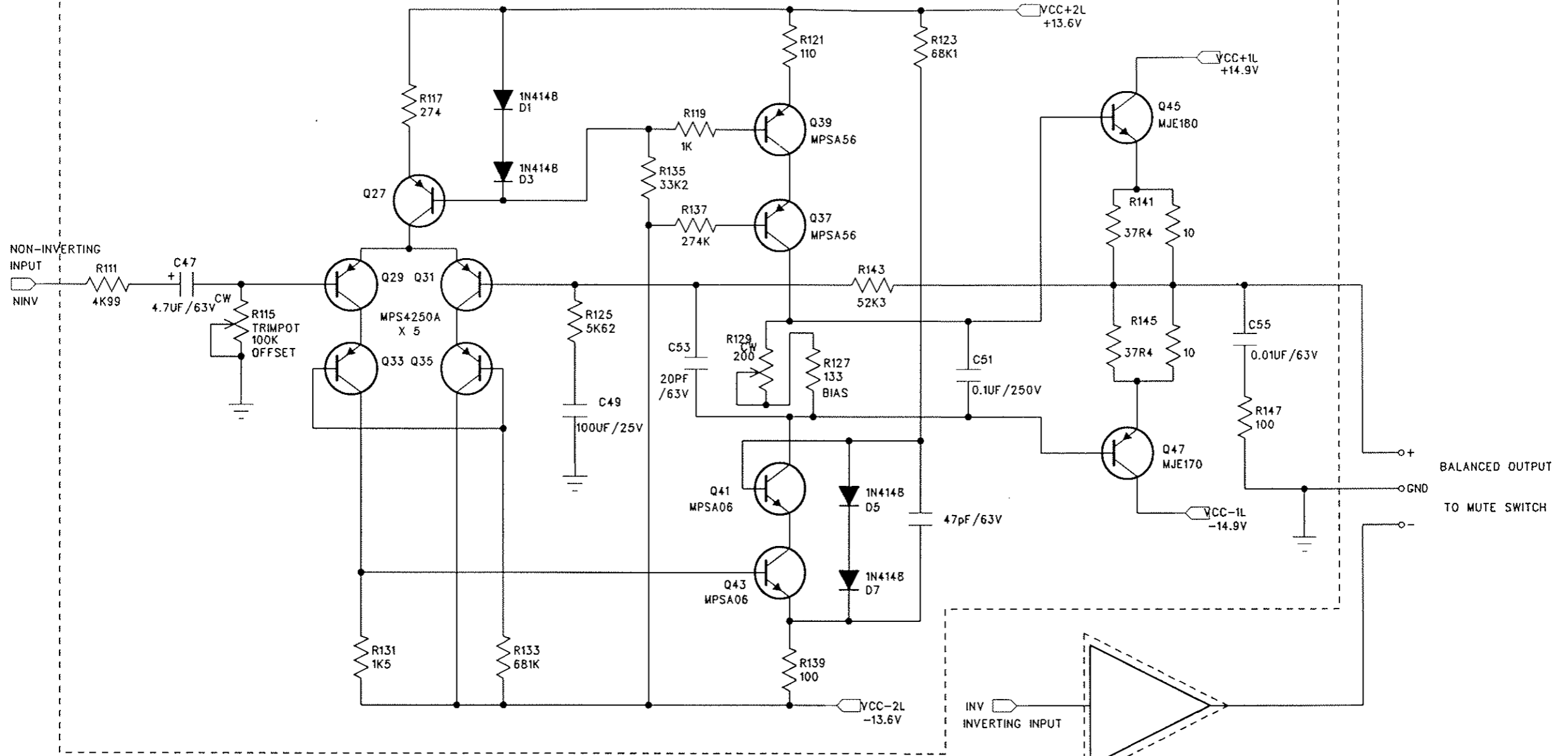
NOTE: CORRESPONDING PART NAMES ON RIGHT CHANNEL: R2XX, C2XX, D2XX etc

BALANCED INPUT (LEFT CH.) (UNDERNEATH MAIN PCB)

REVISIONS:

PART NUMBER	WAS	IS	DATE
R157	100K	NOT USED	JULY 9/91.
R149	NOT USED	200K	JULY 9/91.
R161	10K	200K	JULY 9/91.
UNDER PCB	10UF/63V	4.7UF/63V	JULY 9/91.
	ADD TAPE OUT BUFFERS		MAY 15/92

COMPANY:	CLASSE AUDIO INC.
TITLE:	CLASSE 5/5L PREAMPLIFIERS
DESC:	BALNCED INPUT; LINE BUFFER & INVERTER
DRAWING NO:	5BUF-4
DRAWN:	DJR
DATE:	FEB.15/91
SHEET:	4 OF 5



PART A

LEFT CHANNEL SHOWN

PART B  
(IDENTICAL TO PART A)

COMPANY:	CLASSE AUDIO INC.		
TITLE:	CLASSE 5/5L PREAMPLIFIERS		
DESC:	LINE STAGE		
DRAWING NO:	5LS-5		
DRAWN:	DJR	DATE:	FEB.15/91
		SHEET:	5 OF 5



INSTRUCTIONS FOR CONVERSION OF CLASSE-4/5  
TO NEW OPERATING LINE VOLTAGE.

- 1\_ DISCONNECT UNIT FROM A.C. LINE.
- 2\_ REMOVE TOP.
- 3\_ DESOLDER ALL WIRES FROM TRANSFORMER TO AC INLET & FUSE HOLDER.
- 4\_ RE-CONNECT WIRES AS FOLLOW:
  - \* FOR 100VAC & 120VAC :
    - ( YELLOW + WHITE ) TO SIDE OF FUSE HOLDER.
    - ( BLUE + BLACK ) TO NEUTRAL ON AC INLET.
  - \* FOR 220VAC & 240VAC :
    - WHITE TO SIDE OF FUSE HOLDER.
    - BLUE TO NEUTRAL ON AC INLET.
    - SOLDER YELLOW & BLACK TOGETHER. COVER SOLDER JOIN WITH HEAT-SHRINK OR ELECTRICAL TAPE.
- 5\_ REPLACE THE VARISTOR (V1) FOR NEW LINE VOLTAGE:
  - \* FOR 100V TO 120V : 221.
  - \* FOR 220V TO 240V : 391 OR 441.

NOTE: - IF VARISTOR IS NOT AVAILABLE THEN REMOVE OLD VARISTOR AND LEAVE IT EMPTY.

  - ON CLASSE-4 THE VARISTOR IS LOCATED ON THE AC INLET; THE VARISTOR OF CLASSE-5 IS LOCATED ON THE RIGHT CONNER OF THE PCB.
- 6\_ RE-ASSEMBLE UNIT.

