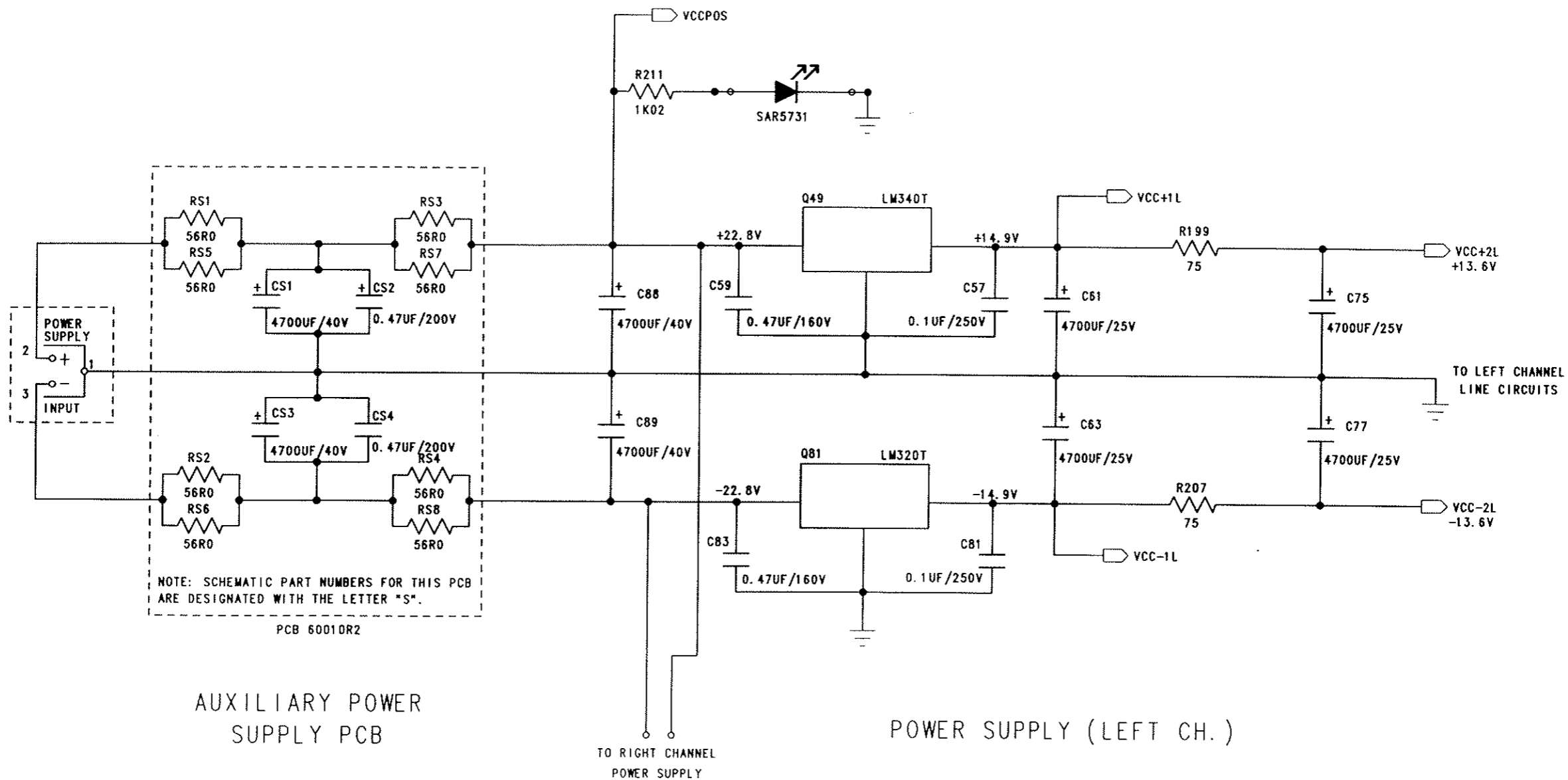
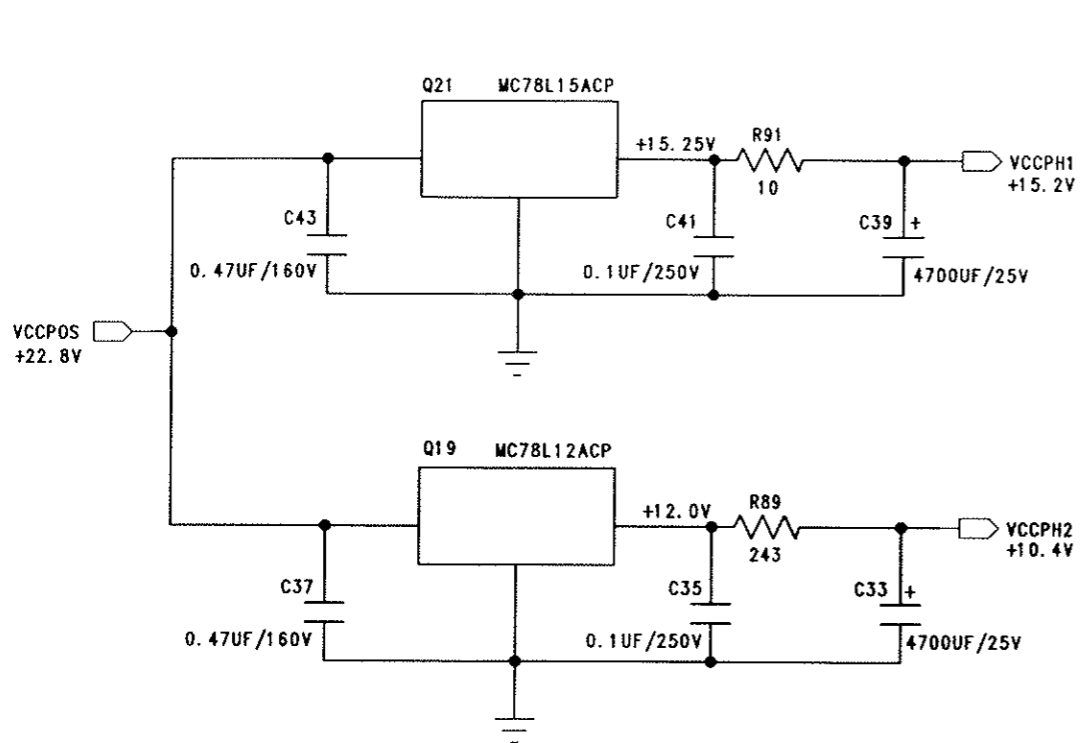


REMOTE POWER SUPPLY

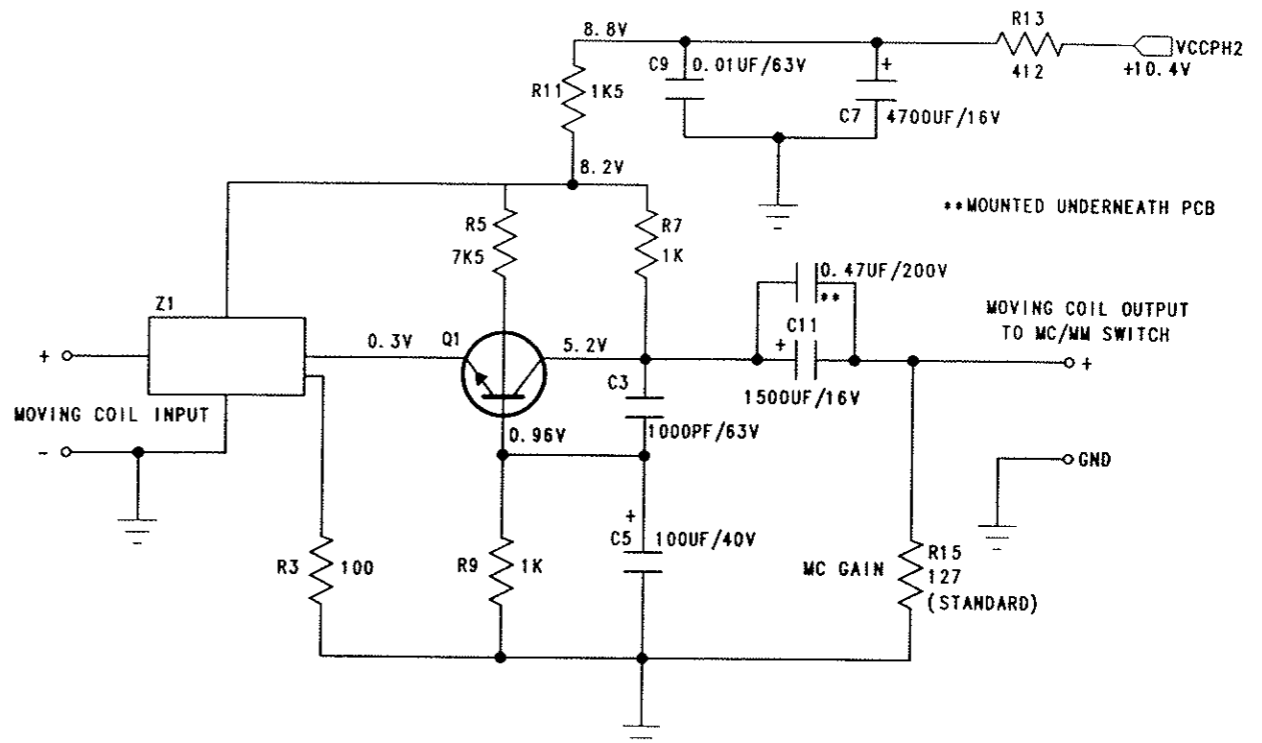
COMPANY:	CLASSE AUDIO INC.
TITLE:	DR-6/6L PREAMPLIFIER
DESC:	REMOTE POWER SUPPLY
DRAWING NO:	DR-6-1
DRAWN:	DJR
DATE:	FEB.18/91
SHEET:	1 OF 6



COMPANY:	CLASSE AUDIO INC.
TITLE:	DR-6/6L PREAMPLIFIER
DESC:	AUXILIARY POWER SUPPLY PCB; LEFT CHANNEL POWER SUPPLY
DRAWING NO:	DR-6-1R3-2
DRAWN:	DJR
DATE:	FEB. 18/91
SHEET:	2 OF 6



PHONO POWER SUPPLY (LEFT CH.)



MOVING COIL PHONO (LEFT CH.)

REVISIONS:

PART NUMBER	WAS	IS	DATE
C3	3300PF/63V	1000PF/63V	JUL. 9/91.

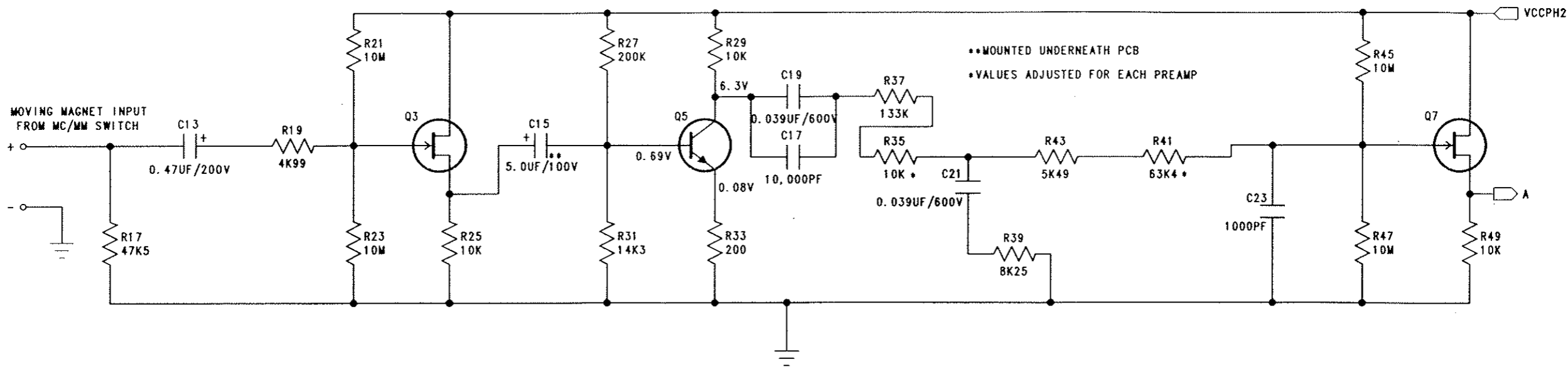
COMPANY: CLASSE AUDIO INC.

TITLE: DR-6/6L PREAMPLIFIER

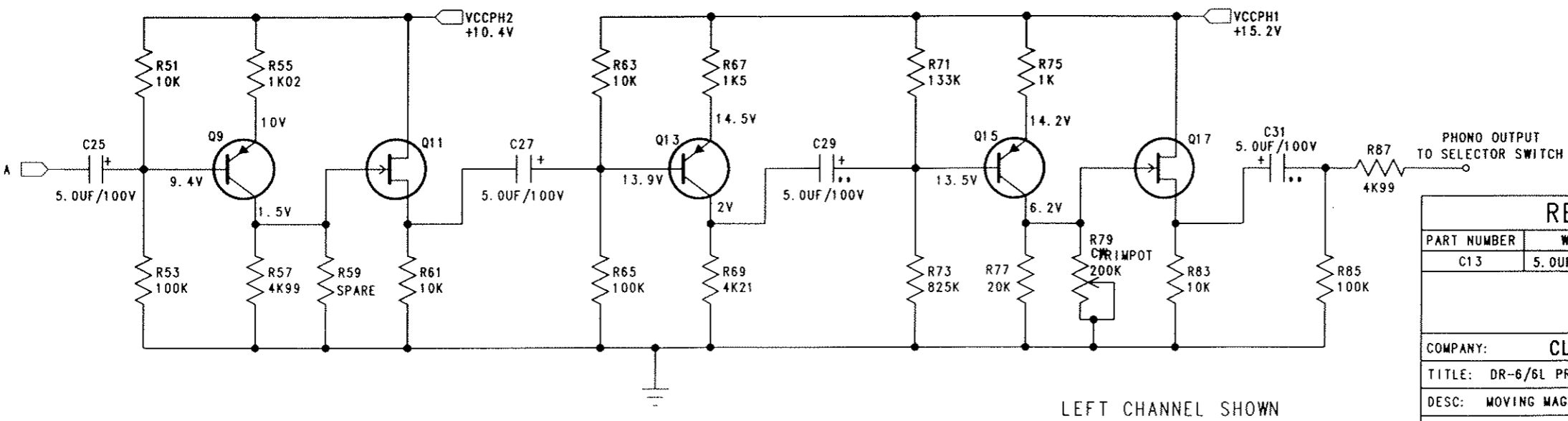
DESC: PHONO POWER SUPPLY; MOVING COIL PHONO

DRAWING NO: DR-6-1R3-3

DRAWN: DJR DATE: FEB. 18/91 SHEET: 3 OF 6

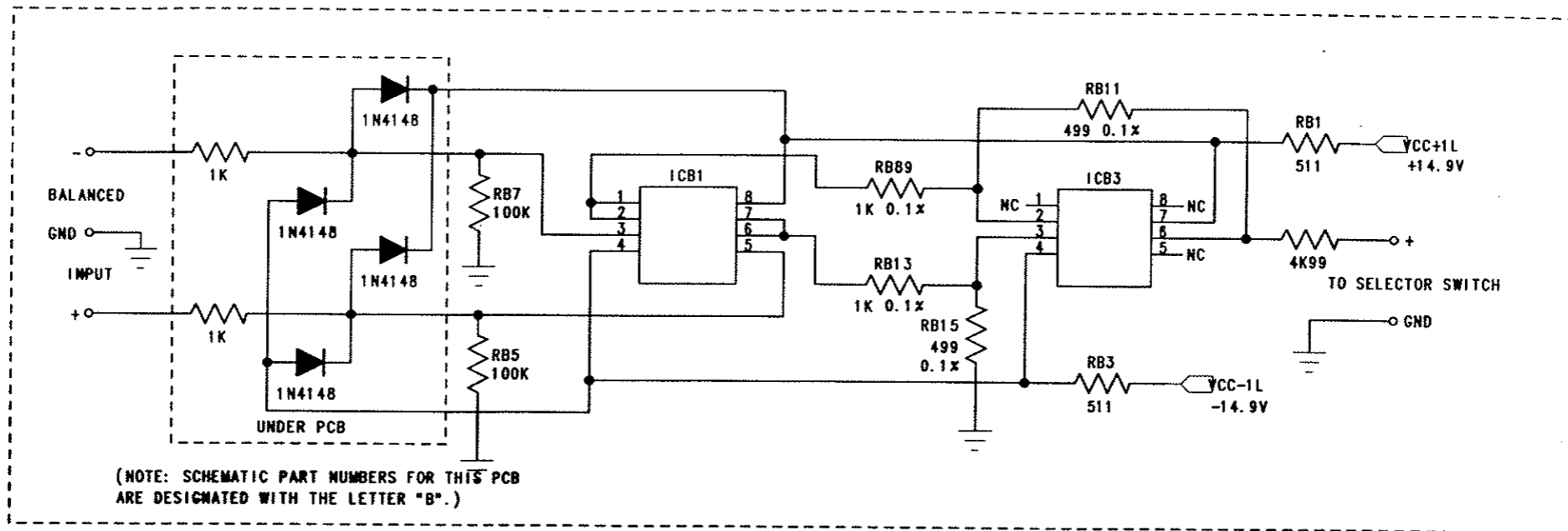


•• MOUNTED UNDERNEATH PCB  
 • VALUES ADJUSTED FOR EACH PREAMP

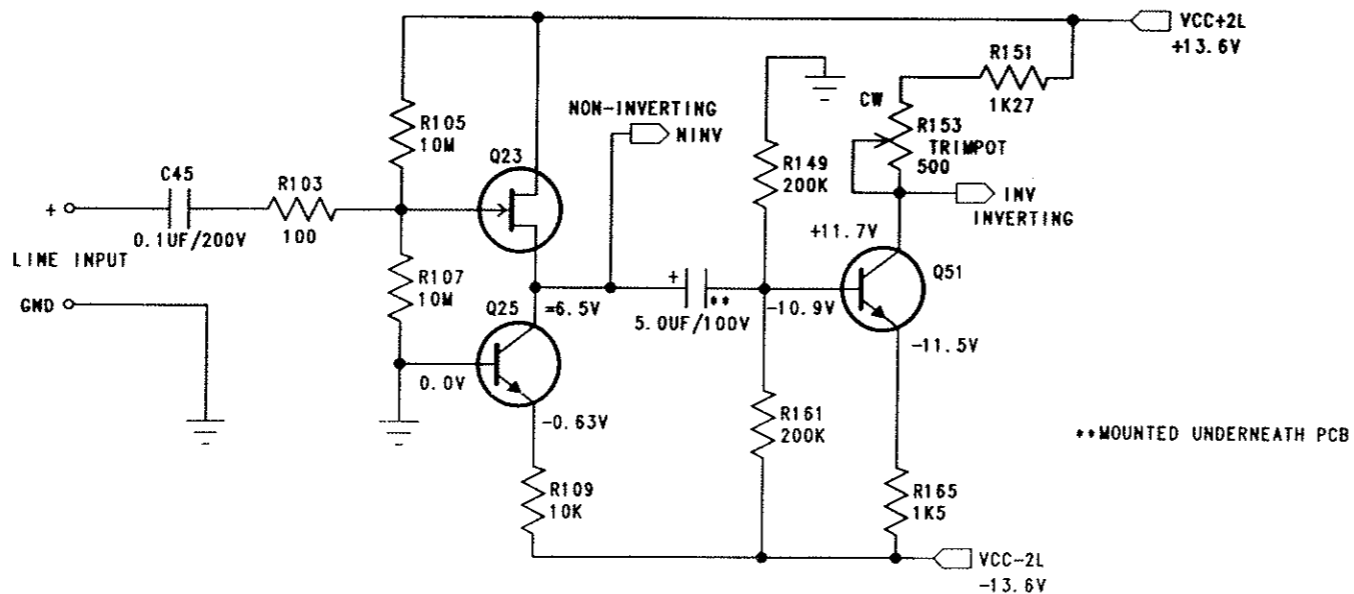


LEFT CHANNEL SHOWN

REVISIONS:			
PART NUMBER	WAS	IS	DATE
C13	5.0UF/100V	0.47UF/200V	JUL. 9/91.
COMPANY: CLASSE AUDIO INC.			
TITLE: DR-6/6L PREAMPLIFIER			
DESC: MOVING MAGNET PHONO			
DRAWING NO: DR-6-1R3-4			
DRAWN: DJR	DATE: FEB. 18/91	SHEET: 4 OF 6	



BALANCED INPUT (LEFT CH.) (UNDERNEATH MAIN PCB)



LINE BUFFER & INVERTER (LEFT CH.)

REVISIONS:

PART NUMBER	WAS	IS	DATE
R157	100K	NOT USED	JUL. 9/91.
R149	NOT USED	200K	JUL. 9/91.
R161	10K	200K	JUL. 9/91.
UNDER PCB	5UF/100V X 2	5UF/100V X 1	JUL. 9/91.

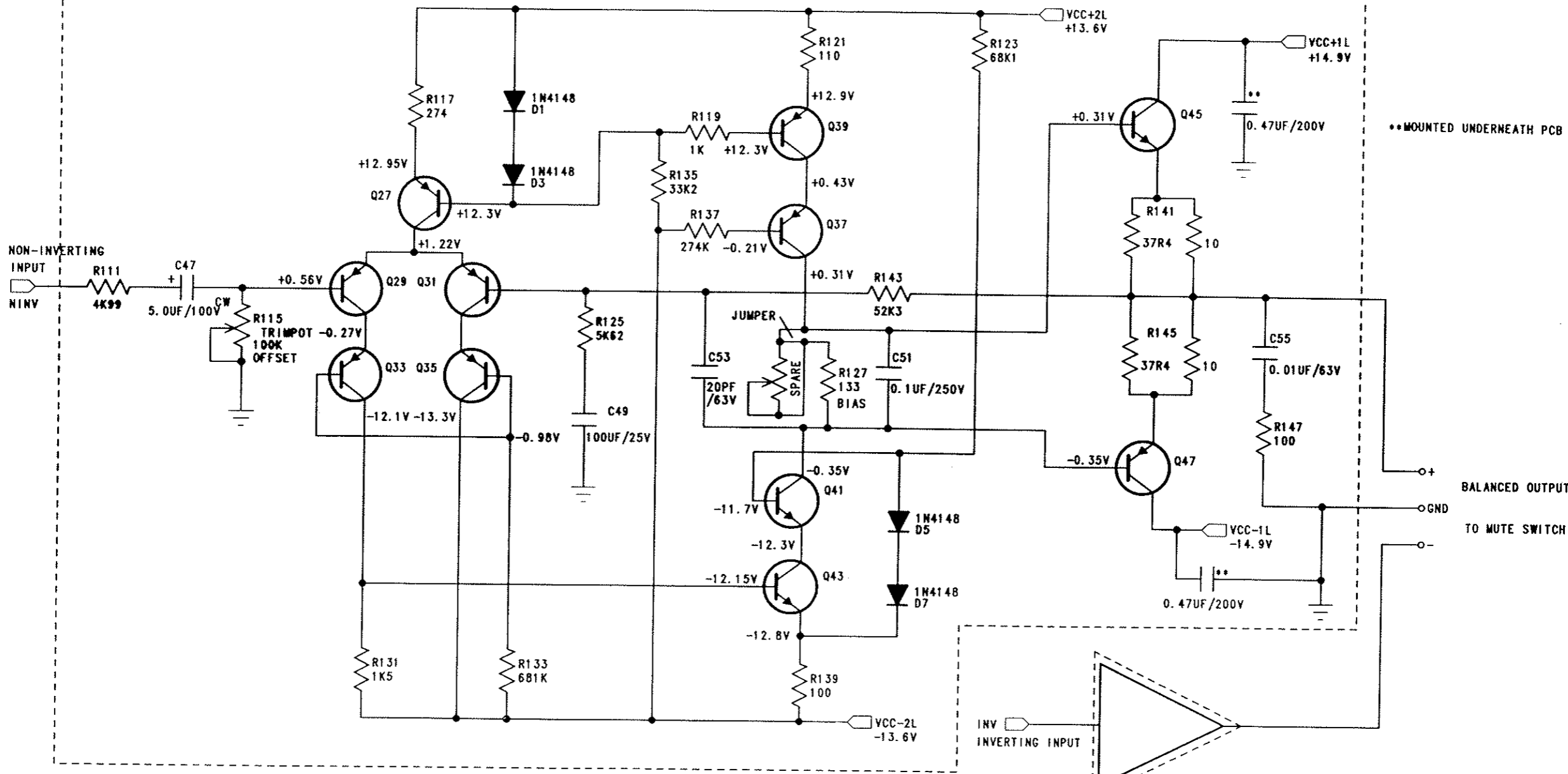
COMPANY: CLASSE AUDIO INC.

TITLE: DR-6/6L PREAMPLIFIER

DESC: BALANCED INPUT; LINE BUFFER & INVERTER

DRAWING NO: DR-6-1R3-5

DRAWN: DJR DATE: FEB. 18/91 SHEET: 5 OF 6

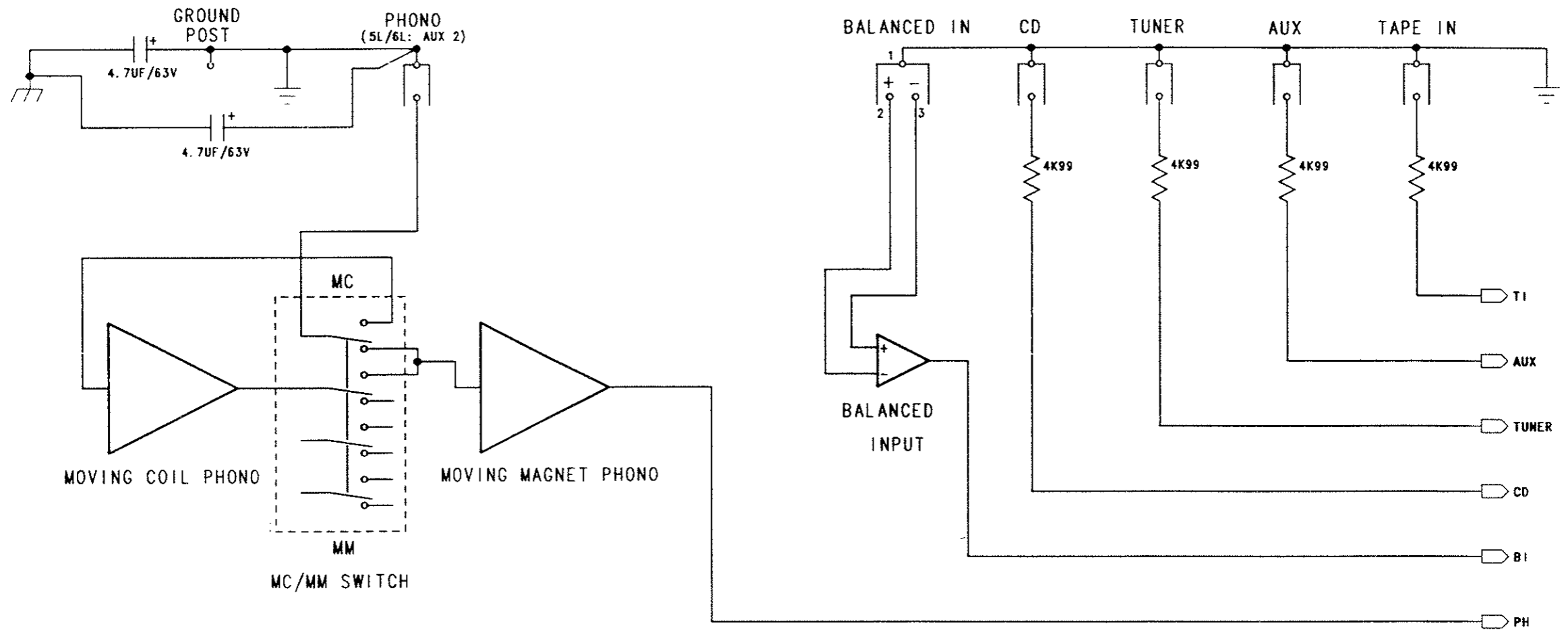


LEFT CHANNEL SHOWN

PART A

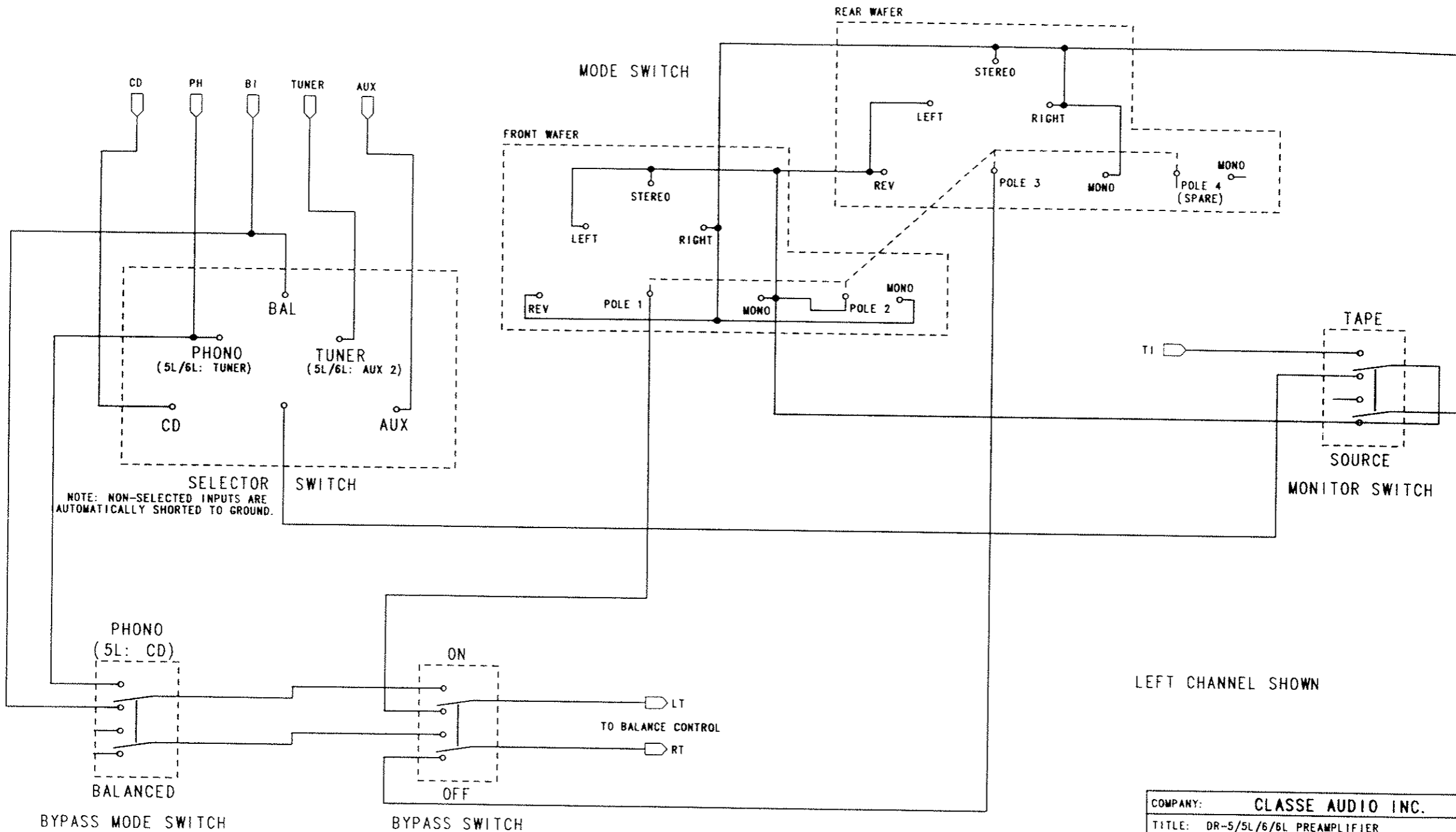
PART B  
(IDENTICAL TO PART A)

COMPANY:	CLASSE AUDIO INC.
TITLE:	DR-6/6L PREAMPLIFIER
DESC:	LINE STAGE
DRAWING NO:	DR-6-1R3-6
DRAWN:	DJR
DATE:	FEB. 18/91
SHEET:	6 OF 6



LEFT CHANNEL SHOWN

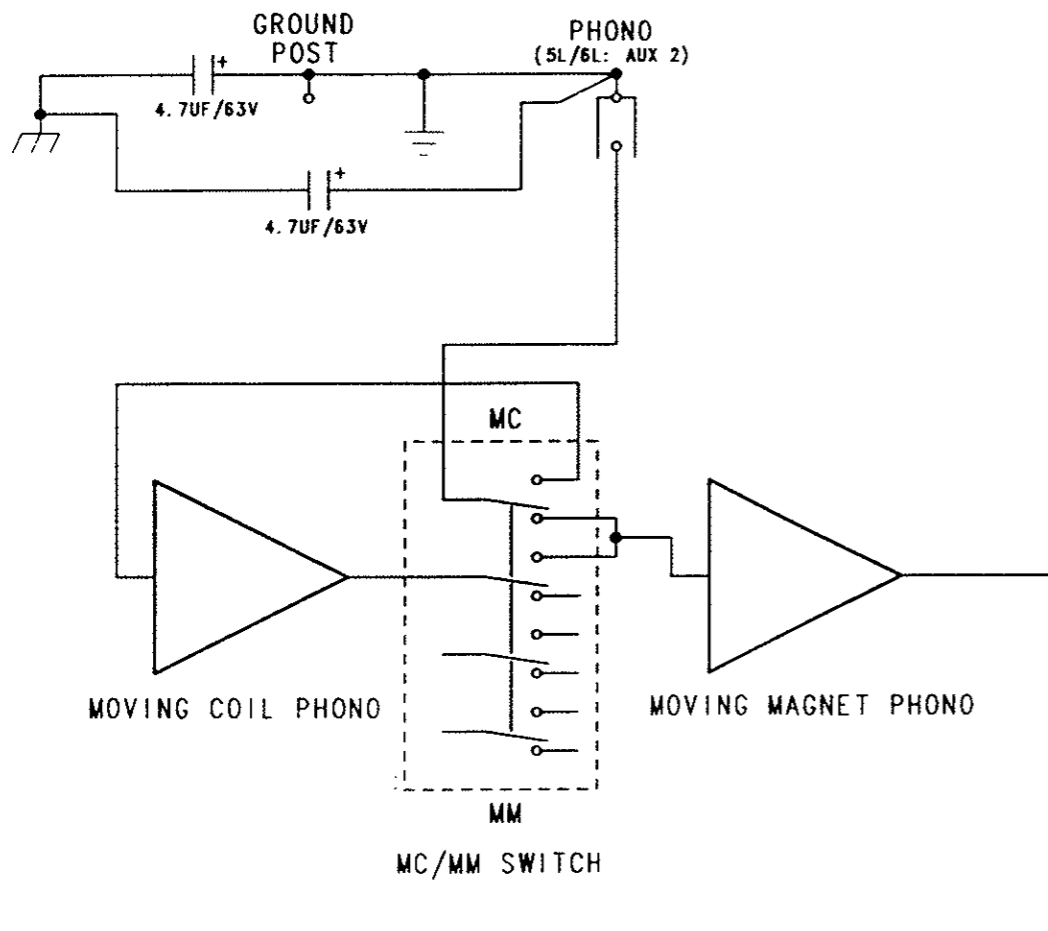
COMPANY:		CLASSE AUDIO INC.	
TITLE:		DR-5/5L/6/6L PREAMPLIFIER	
DESC:		FLOW DIAGRAM	
DRAWING NO:		6FD-1	
DRAWN:	DJR	DATE:	MAR. 8/91.
		SHEET:	1 OF 3



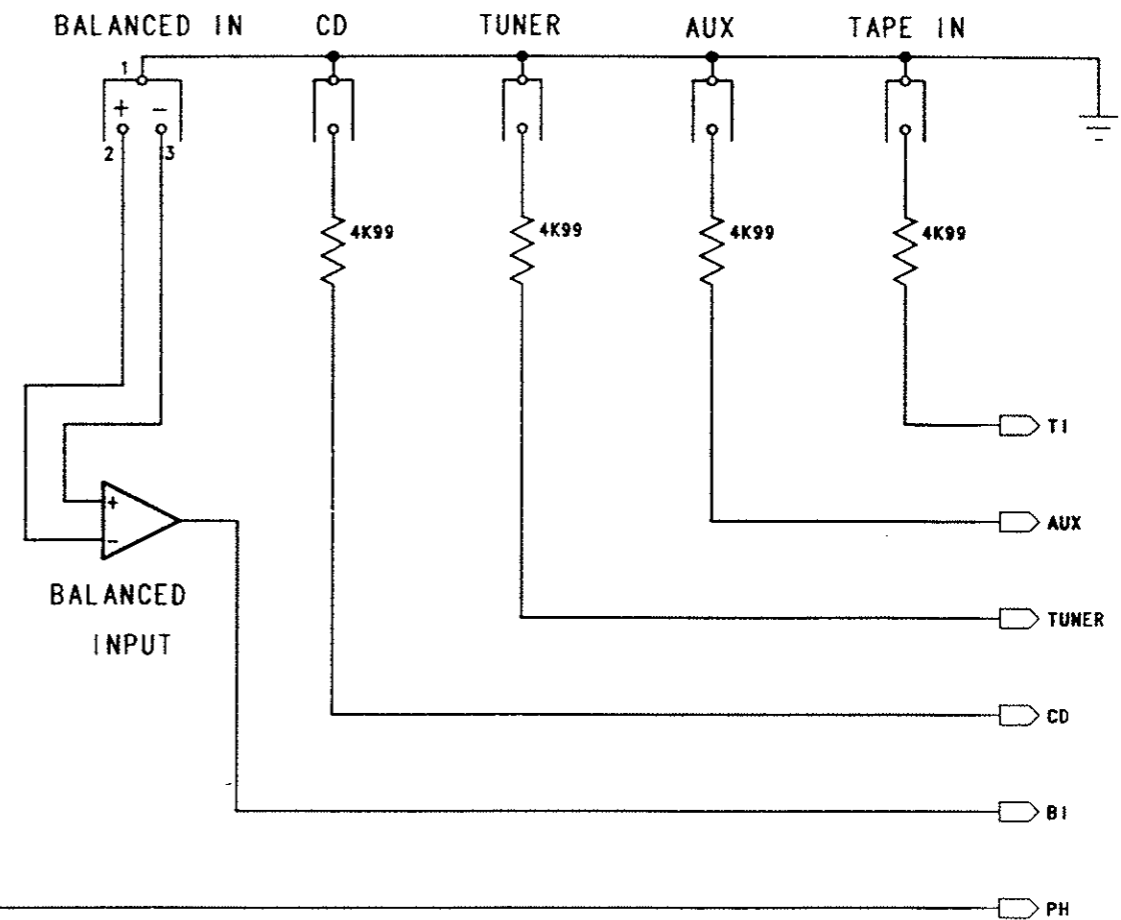
LEFT CHANNEL SHOWN

COMPANY: CLASSE AUDIO INC.		
TITLE: DR-5/5L/6/6L PREAMPLIFIER		
DESC: FLOW DIAGRAM		
DRAWING NO: 6FD-2		
DRAWN: DJR	DATE: MAR. 8/91.	SHEET: 2 OF 3

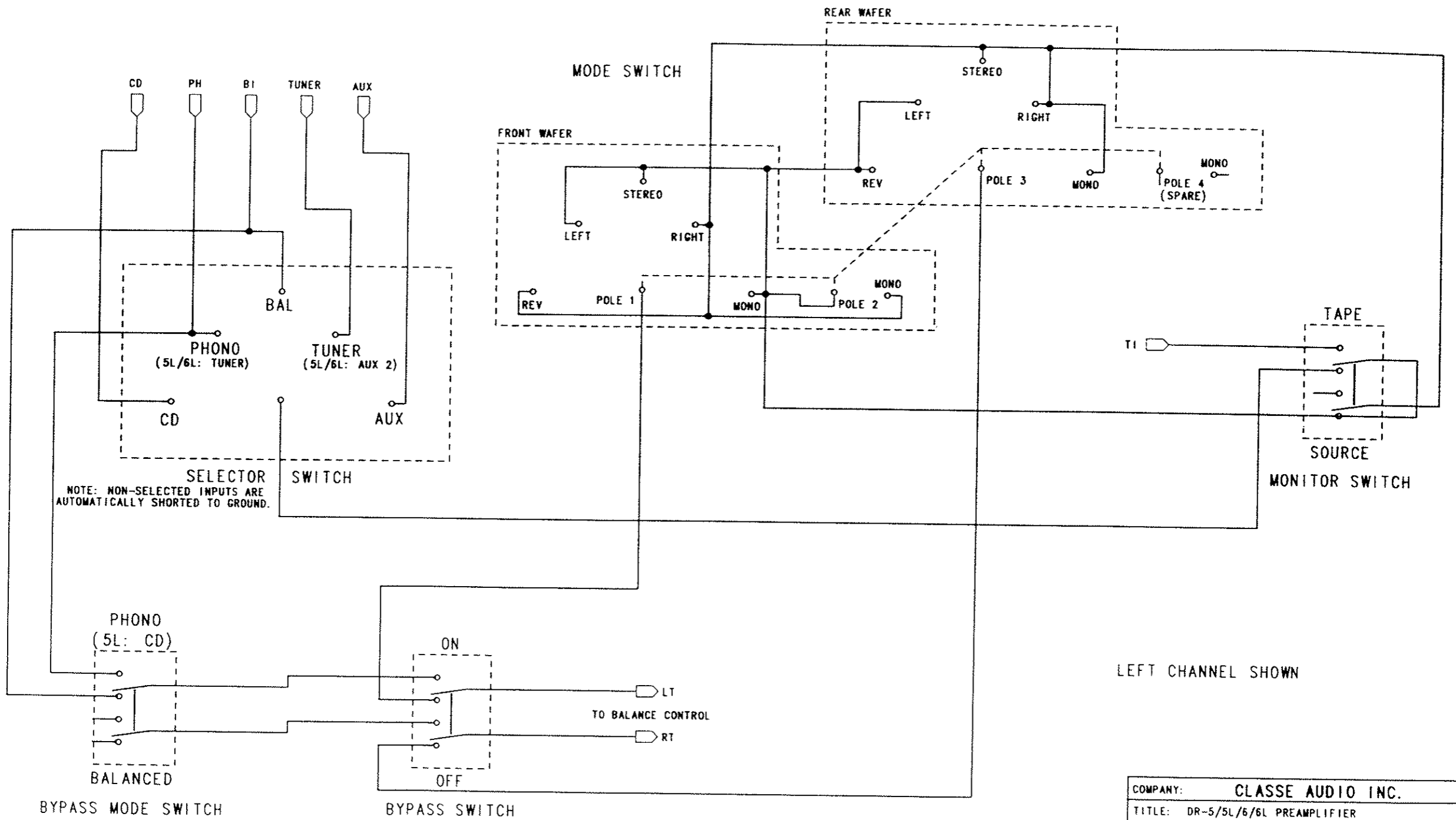




LEFT CHANNEL SHOWN

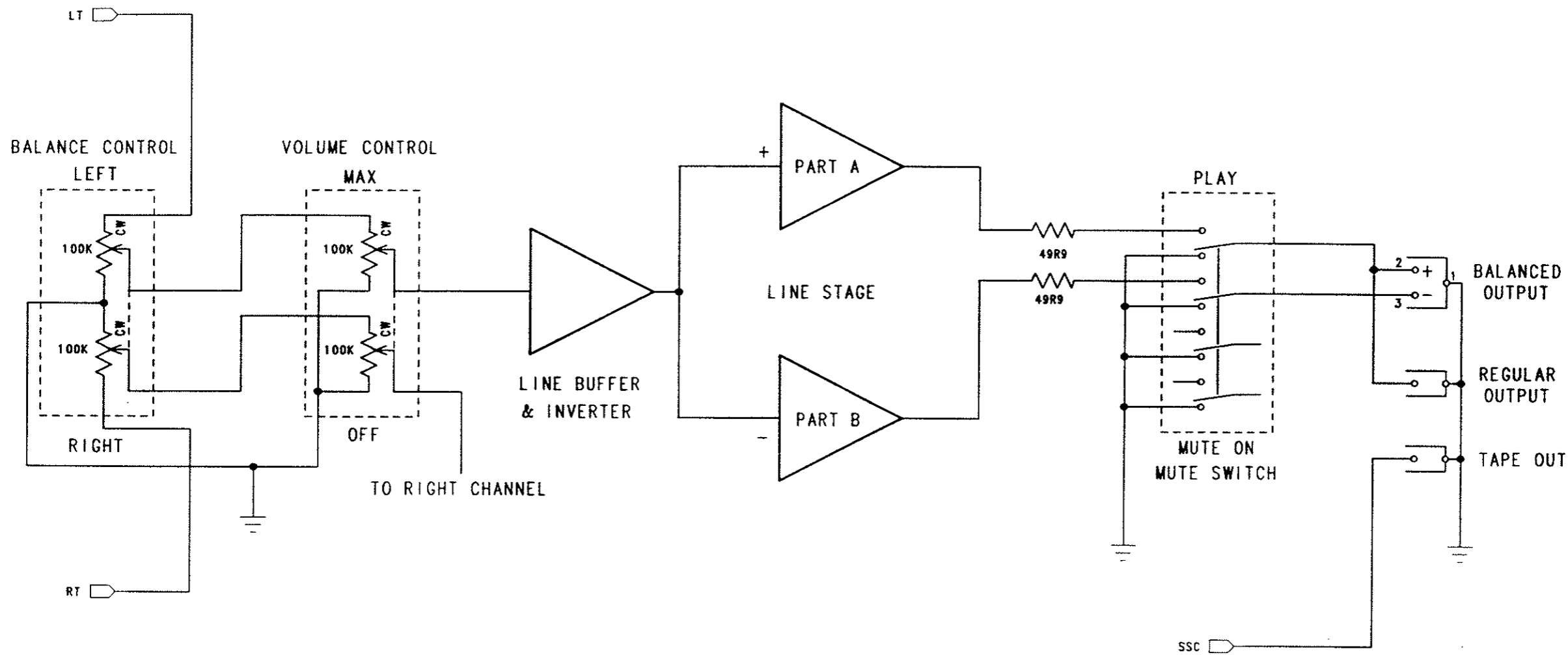


COMPANY:		CLASSE AUDIO INC.	
TITLE:		DR-5/5L/6/6L PREAMPLIFIER	
DESC:		FLOW DIAGRAM	
DRAWING NO:		6FD-1	
DRAWN:	DJR	DATE:	MAR. 8/91.
		SHEET: 1 OF 3	



LEFT CHANNEL SHOWN

COMPANY: CLASSE AUDIO INC.		
TITLE: DR-5/5L/6/6L PREAMPLIFIER		
DESC: FLOW DIAGRAM		
DRAWING NO: 6FD-2		
DRAWN: DJR	DATE: MAR. 8/91.	SHEET: 2 OF 3



LEFT CHANNEL SHOWN

COMPANY:		CLASSE AUDIO INC.	
TITLE:		DR-5/5L/6/6L PREAMPLIFIER	
DESC:		FLOW DIAGRAM	
DRAWING NO:		6FD-3	
DRAWN:	DJR	DATE:	MAR. 8/91.
		SHEET:	3 OF 3

# Classé Audio

## INSTRUCTIONS FOR CONVERSION OF CLASSÉ-6 TO NEW OPERATING LINE VOLTAGE

1. Disconnect power supply from A.C. line.
2. Remove top.
3. Desolder all wires from transformer to PCB.
4. Re-connect wires as follows:
  - \* for 100VAC & 120VAC:
    - (yellow and white) to the pad on left side of PCB
    - (blue and black) to the pad on right of PCB.
  - \* for 220VAC and 240VAC:
    - white to the pad on left side of PCB
    - blue to the pad on the right side of PCB
    - solder yellow and black together. Cover solder join with heat-shrink or electrical tape.
5. Replace the varistor for new operating line voltage:
  - \* for 100V to 120V: 221
  - \* for 220V to 240V: 391 or 441

Note: if varistor is not available, then remove old varistor and leave it empty.
6. Re-assemble the power supply.