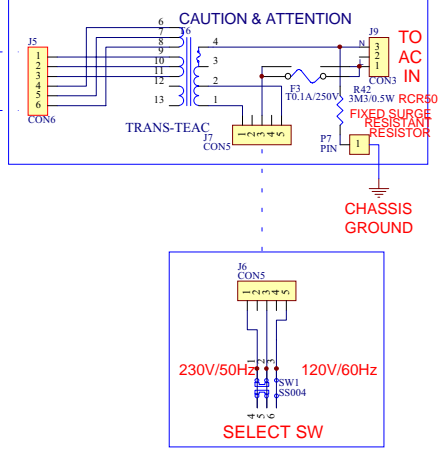


T-2  
 PCB NO : B3850  
 DATE : JUNE,20,2001

**TUNER**

TO KEY PCB  
 電源  
 RESET  
 TACT SW

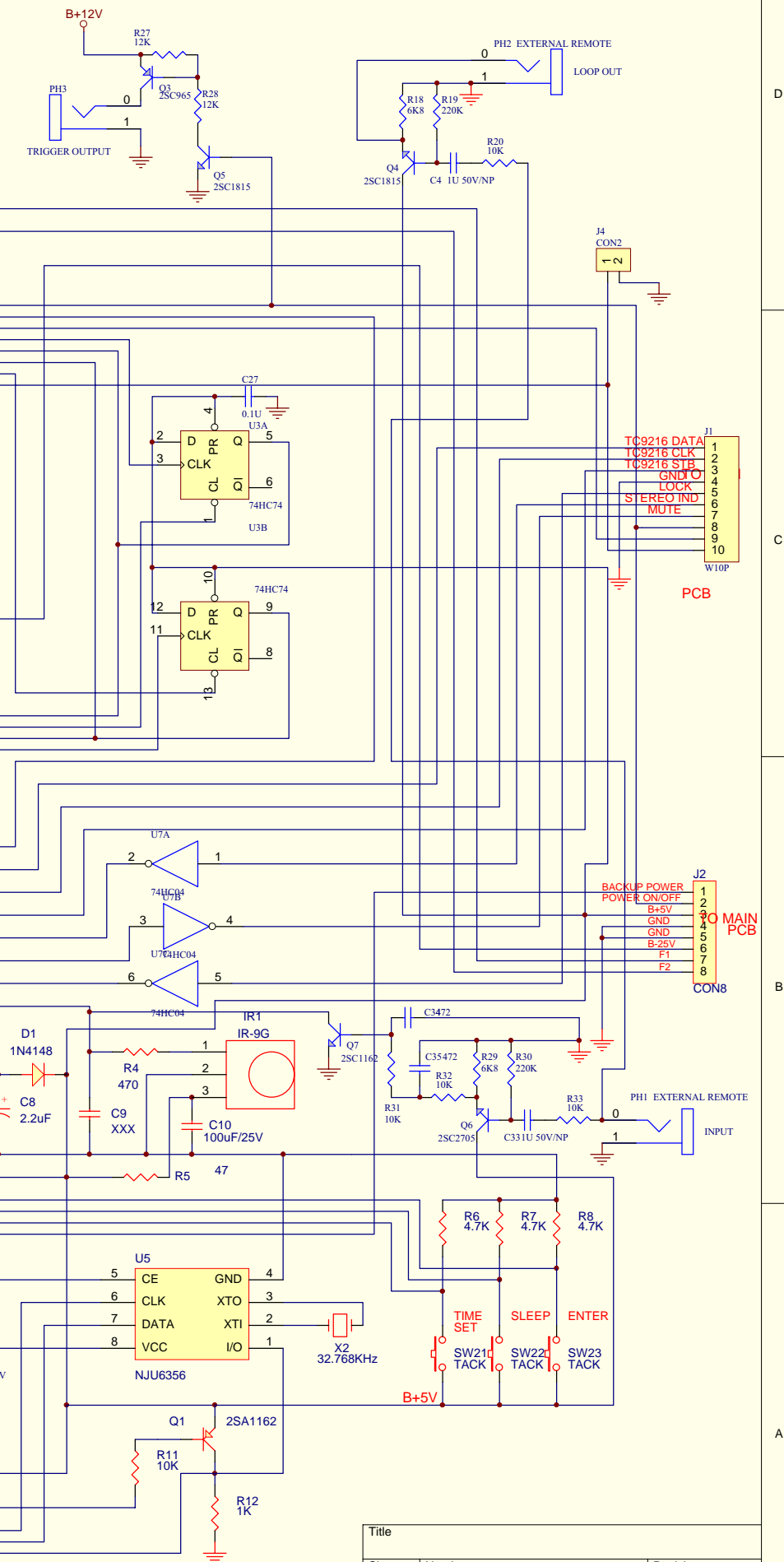
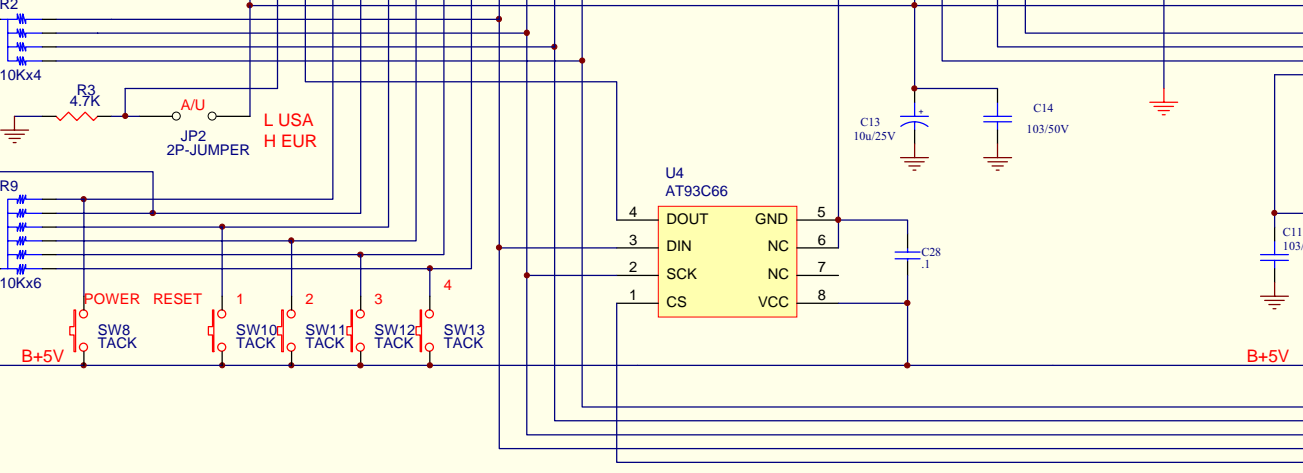
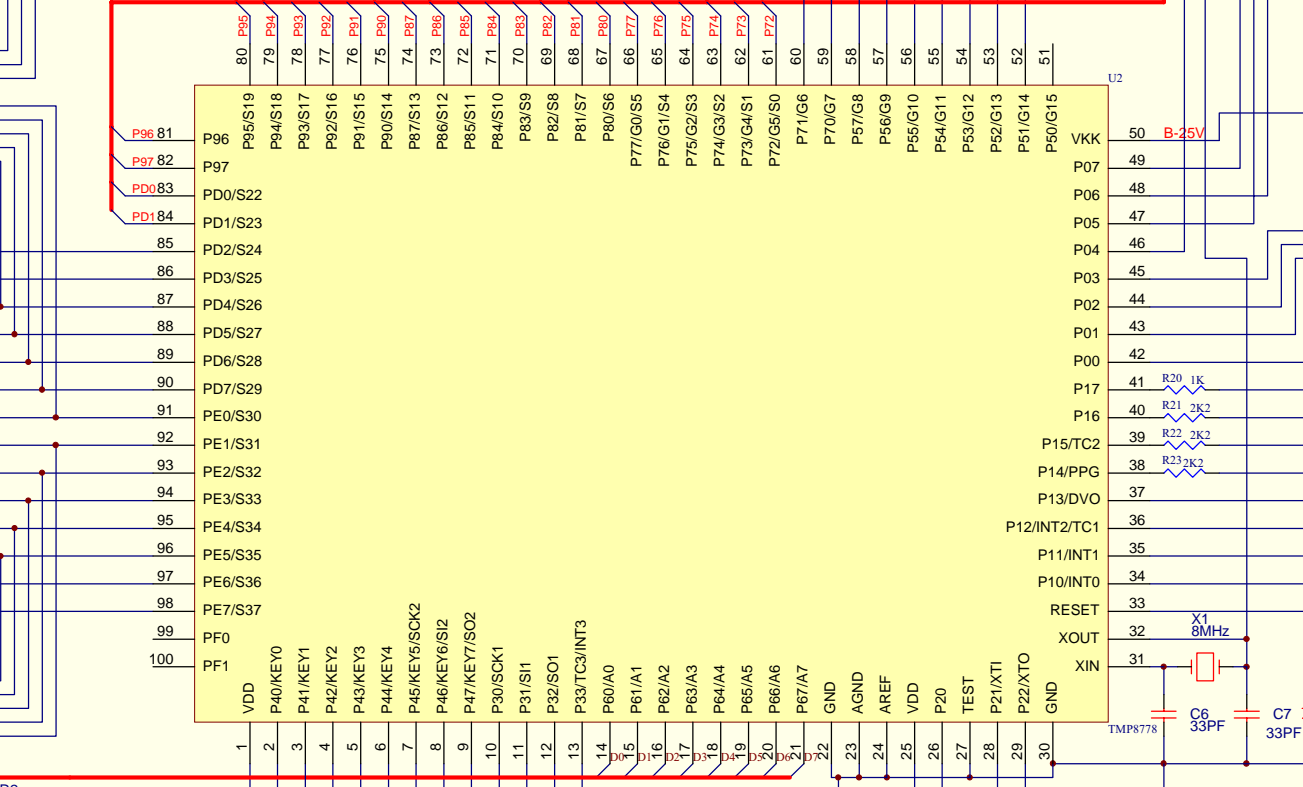
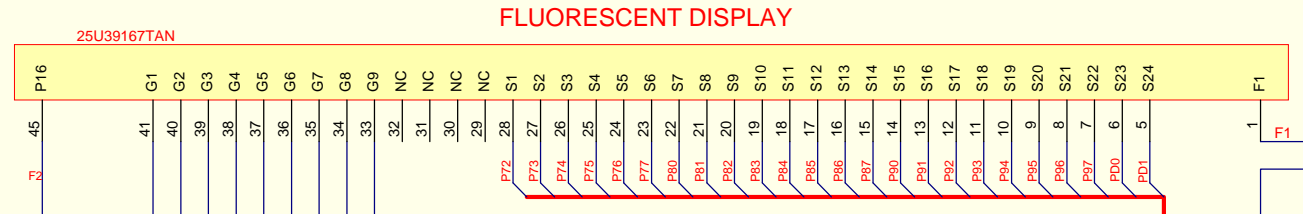


Title		
Size	Number	Revision
A1		
Date	20-Jun-2001	Sheet 01
File	D:\PROJ1\FILES\T1.dwg	Drawn By

# TUNER

## T-2 KEY PCB CIRCUIT

DATE : JUNE,20,2001



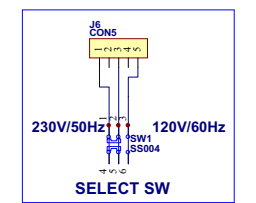
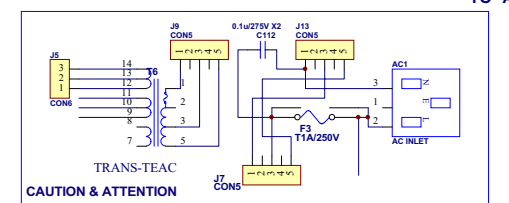
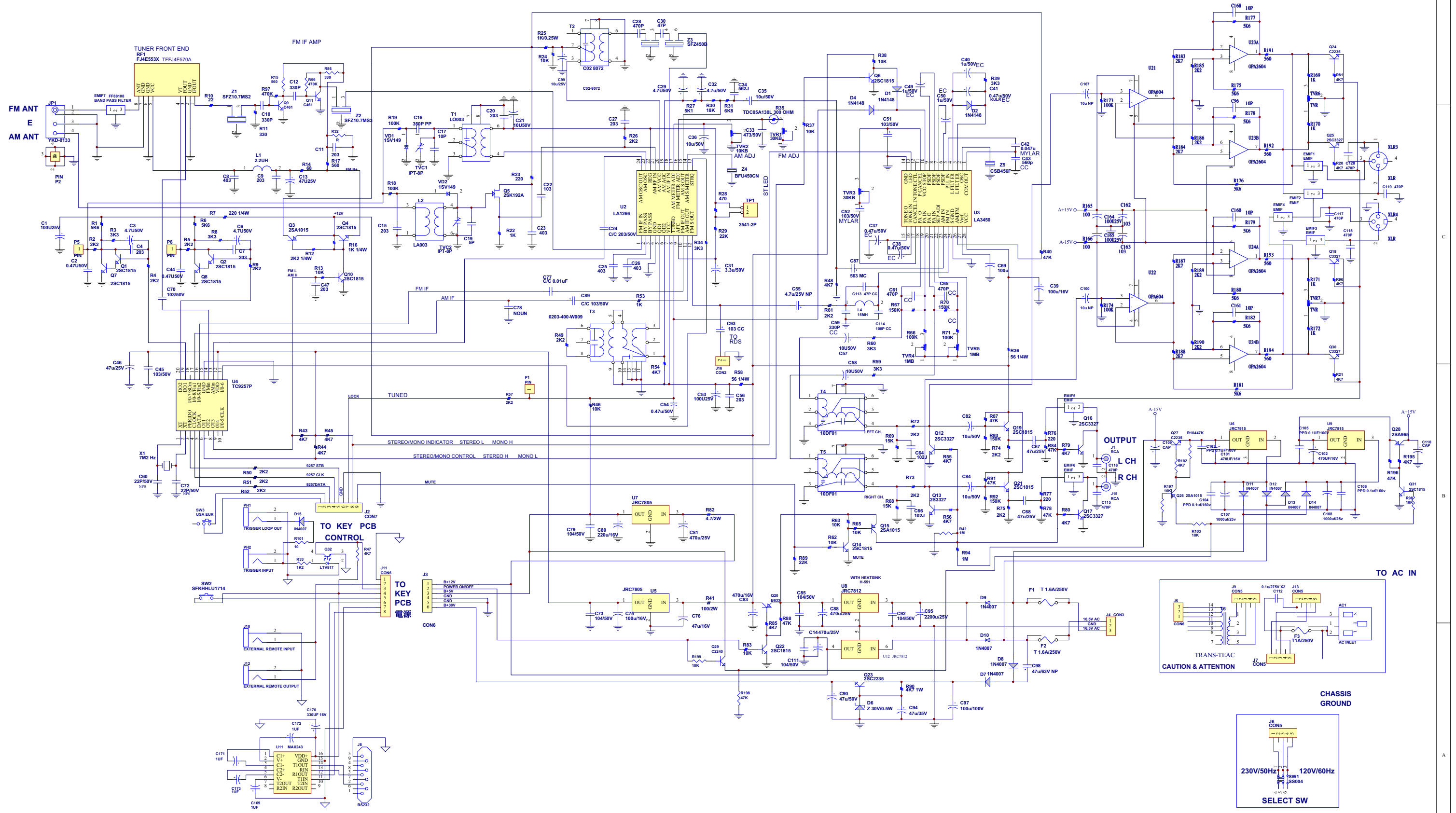
Title		
Size	Number	Revision
A2	20-Jun-2001	Sheet of
Date:	File:	Drawn By:

# TUNER

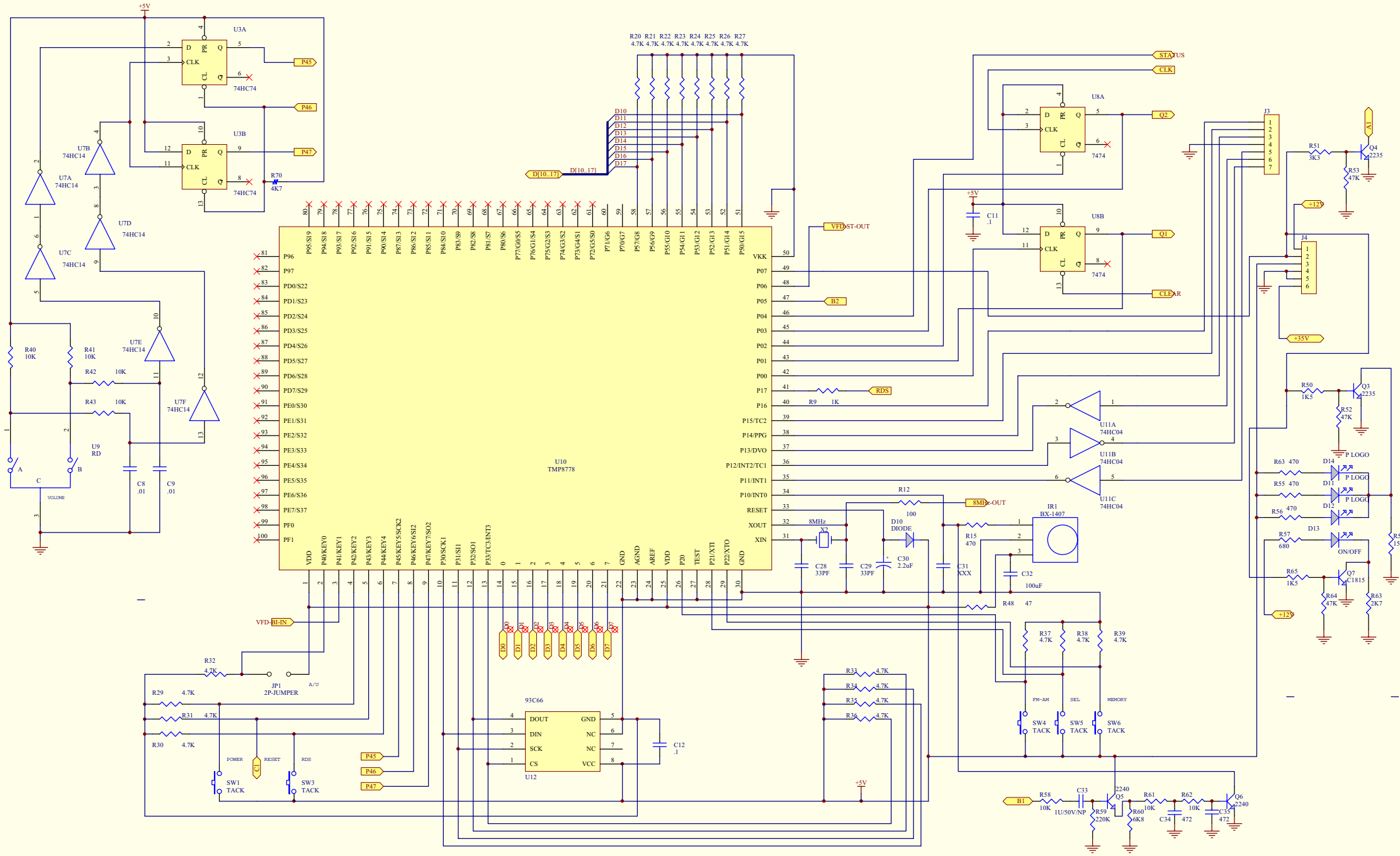
T-3

PCB NO : B4240

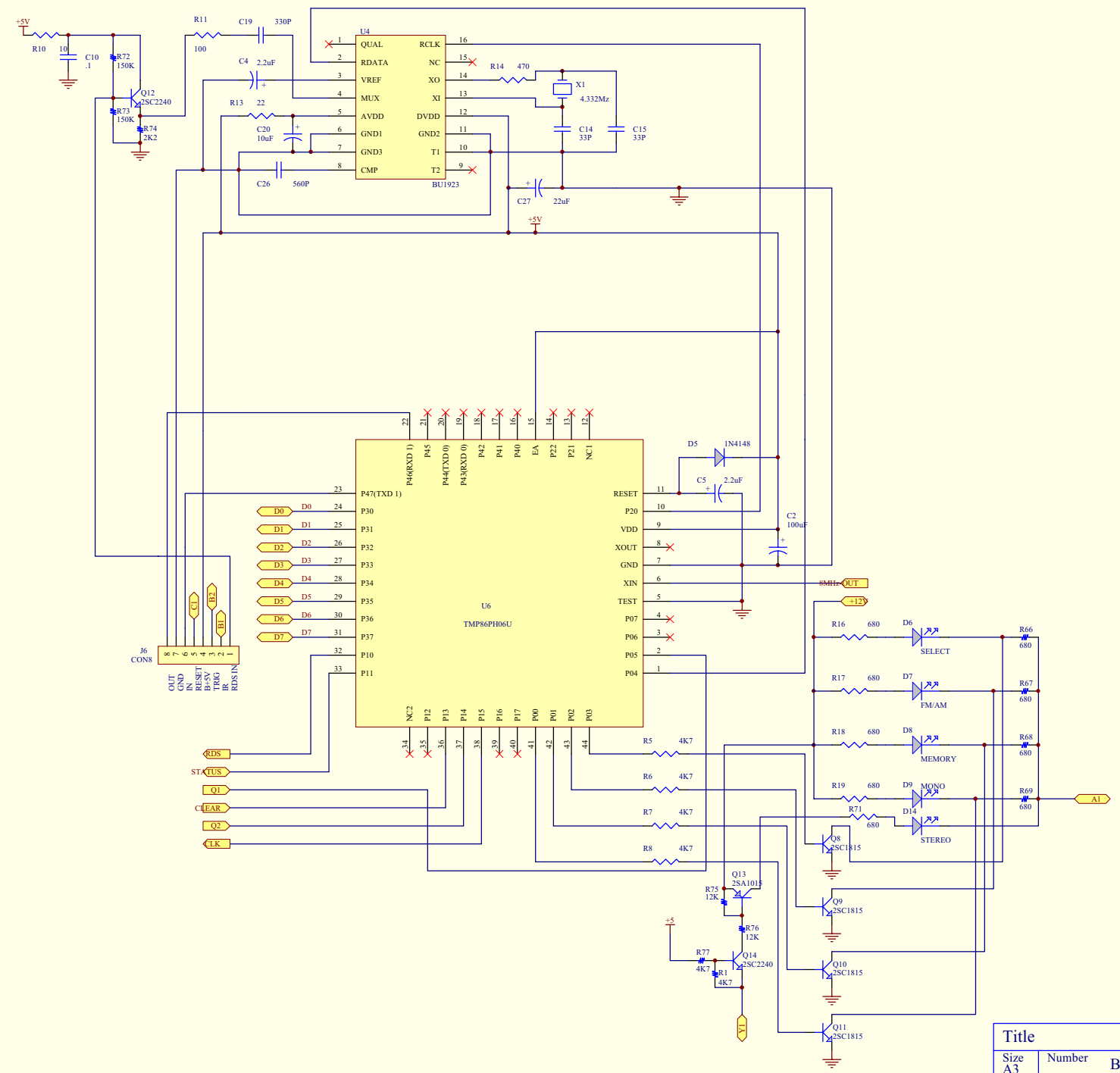
DATE : MARCH.04.2002



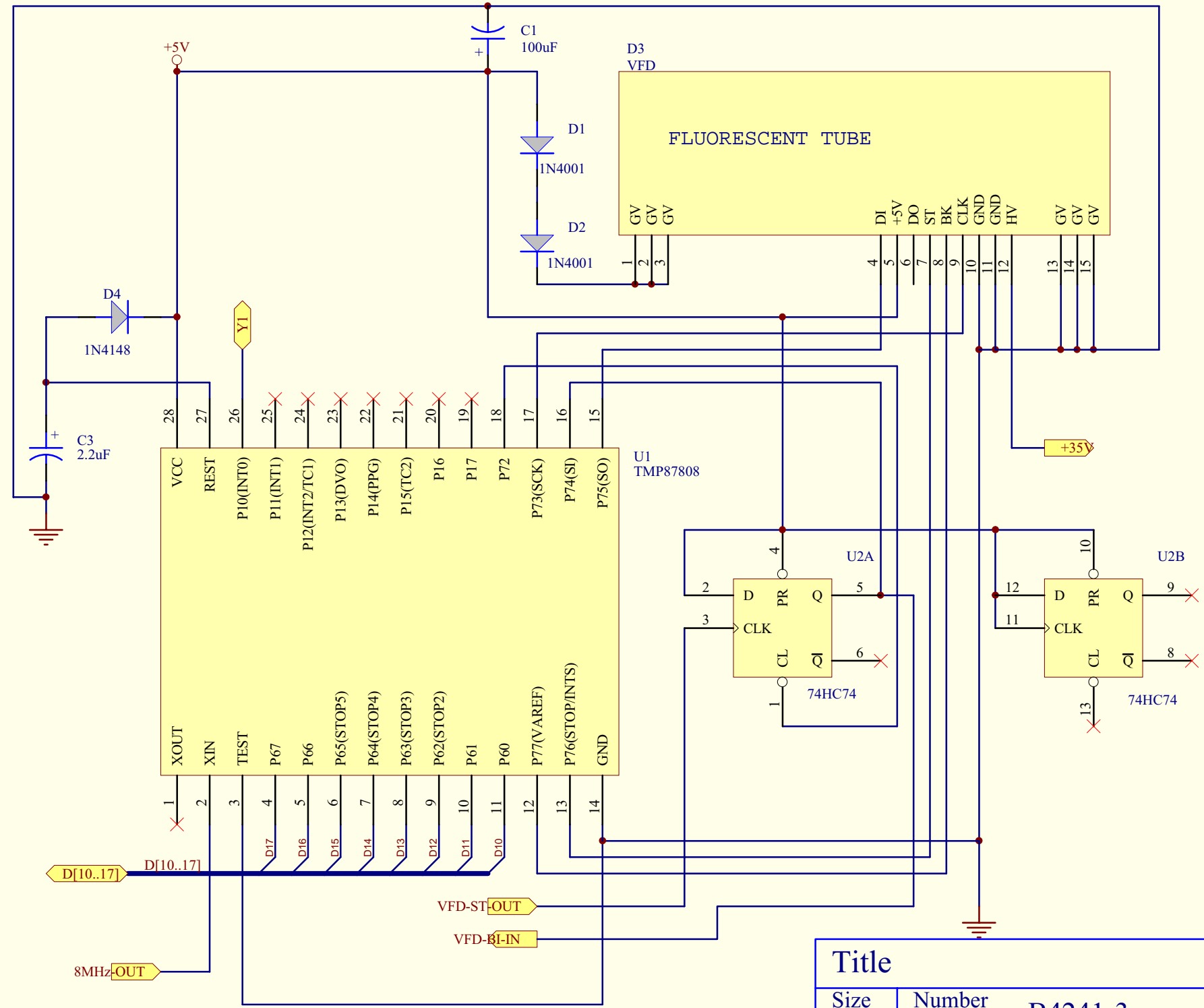
Title			
Size	Number	Revision	
A3	B4240	G.L.LIU	
Date	04 MAR 2002	Sheet of	
File	D:\PROTEL\FILES\T3SINGL	Drawn By	Alvin Hsieh



Title			
Size	Number	Revision	
A3	B4241-3	G L LIU	
Date	04 MAR 2002	Sheet of	
File	D:\PROTEL\FILES\T3\SINGL	Drawn By	Alvin Hsieh



Title			
Size	Number	Revision	
A3	B4241-3	G L LIU	
Date	04 MAR 2002	Sheet of	
File	D:\PROTEL\FILES\T3SINGL	Drawn By	Alvin Hsieh



Title			
Size A3	Number B4241-3	Revision G L LIU	
Date 04 MAR 2002	Sheet of		
File D:\PROTEL\FILES\T3SINGL	Drawn By		Alvin Hsieh