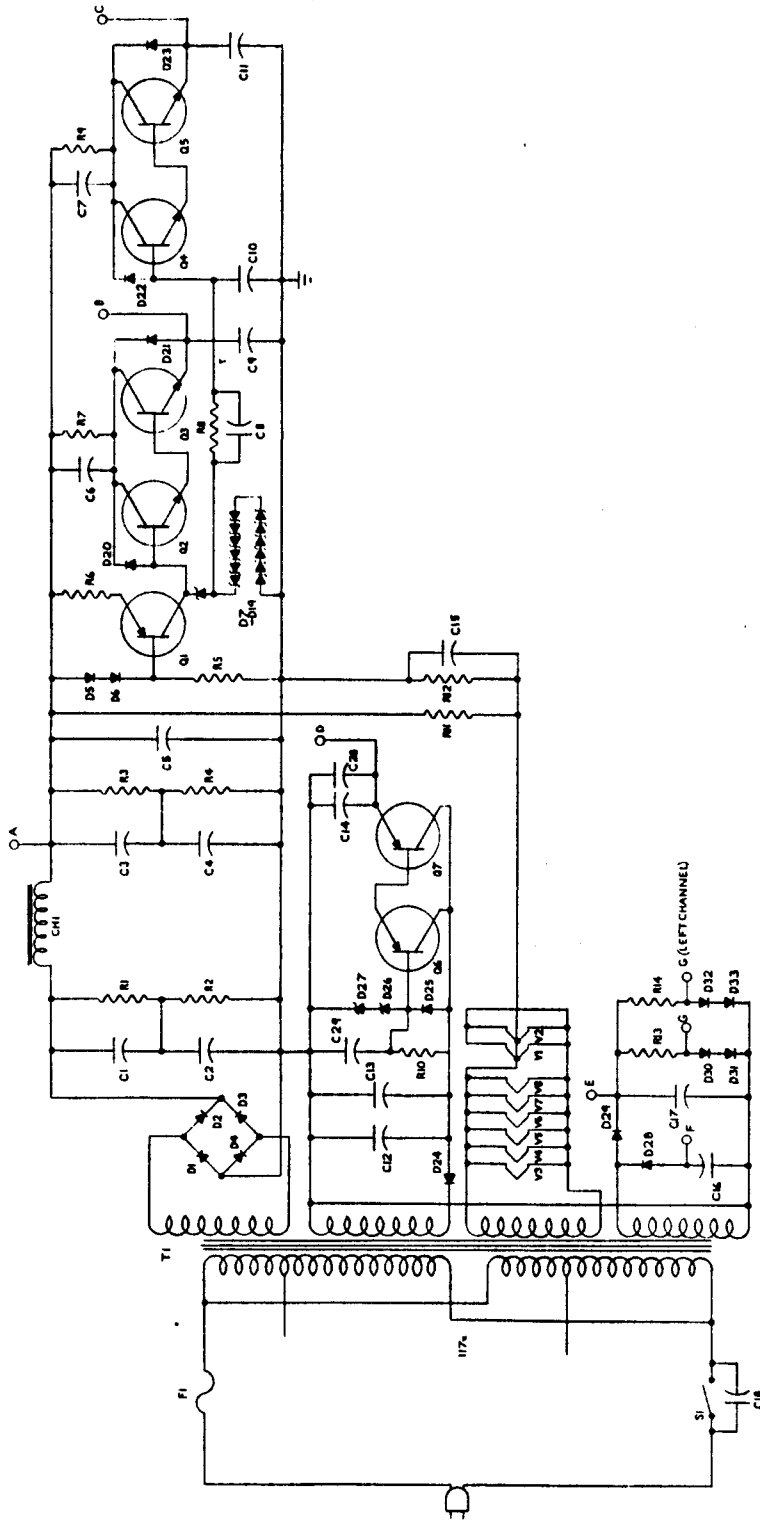


CONRAD-JOHNSON DESIGN INC
 2808 DORR AVE FAIRFAX VA
 MODEL MV50 REVISION 1 of 2
 DRAWN BY DATE SIZE



CONRAD-JOHNSON DESIGN INC	
2800R DORR AVE FAIRFAX VA	
MODEL MV50 POWER SUPPLY	REVISION 2
DRAWN BY [Signature]	DATE 4/1/88

MV50 PARTS LIST (Note: All resistors 1/2 watt unless otherwise designated)

component	value/rating	component	value/rating
R1-R4	100K/2W	C19	10pf/1000v PP
R5	560K/2W	C20	47pf PS
R6	330Ω	C21	150pf PS
R7	1.8K/2W	C22	.15uf/400v PS
R8	4.75K	C23	1.0uf/400v PS
R9	3.3K/2W	C24	.0001uf/1Kv PS
R10	5.11K/RN65	C25	150pf PS
R11	1MΩ	C26	.15uf/630v PS
R12	221K	C27	.15uf/630 PS
R13	10K	C28	.15uf/200v PS
R14	10K	C29	.5uf/100v PS
R15	100K	D1	IN4007
R16	1K	D2	IN4007
R17	750Ω	D3	IN4007
R18	121Ω	D4	IN4007
R19	82.5K/RN65	D5	IN4148
R20	162K/RN65	D6	IN4148
R21	150K/RN65	D7-D19	IN5257
R22	1MΩ	D20-D25	IN4007
R23	10K/RL42	D26	IN5254
R24	10K/RL42	D27	IN5254
R25	20K/RL42	D28	IN4007
R26	100K	D29	IN4007
R27	500K Pot	D30-D33	IN4148
R28	24K/RL42	D34-36	L.E.D.
R29	5.11K/RN65	D37	IN5234
R30,44	221K	D38	IN5234
R31,45	1K	Q1	MPSU60
R32,43	10K Pot	Q2	MPSU10
R33,42	18.2K	Q3	MJE340
R34,41	20Ω/5W	Q4	MPSU10
R35,40	1.2MΩ	Q5	MJE340
R36,39	1MΩ	Q6	MPSU60
R37,38	560Ω /½W	Q7	MJE350
R46,47	270K/2W	V1	5751
C1-C4	300uf/350v	V2	5751
C5	1.0uf/600v PS	V3	6FQ7
C6	.15uf/400v PS	V4	6FQ7
C7	.15uf/400v PS	V5	EL34/6CA7
C8	.01uf/600v PS	V6	EL34/6CA7
C9	1.0uf/600v PS	V7	EL34/6CA7
C10	1.0uf/600v PS	V8	EL34/6CA7
C11	1.0uf/600v PS	F1	5 amp slo blo
C12	.15uf/400v PS	F2	BBS-1 amp
C13	50uf/150v	S1	Power switch
C14	2.0uf/200v PP	T1	C126-138
C15	50uf/150v elect.	T2	Triad17-8742
C16	220uf/10v elect.		
C17	220uf/10v elect.		
C18	.047uf/1000v		

PP=Polypropylene

PS=Polystyrene