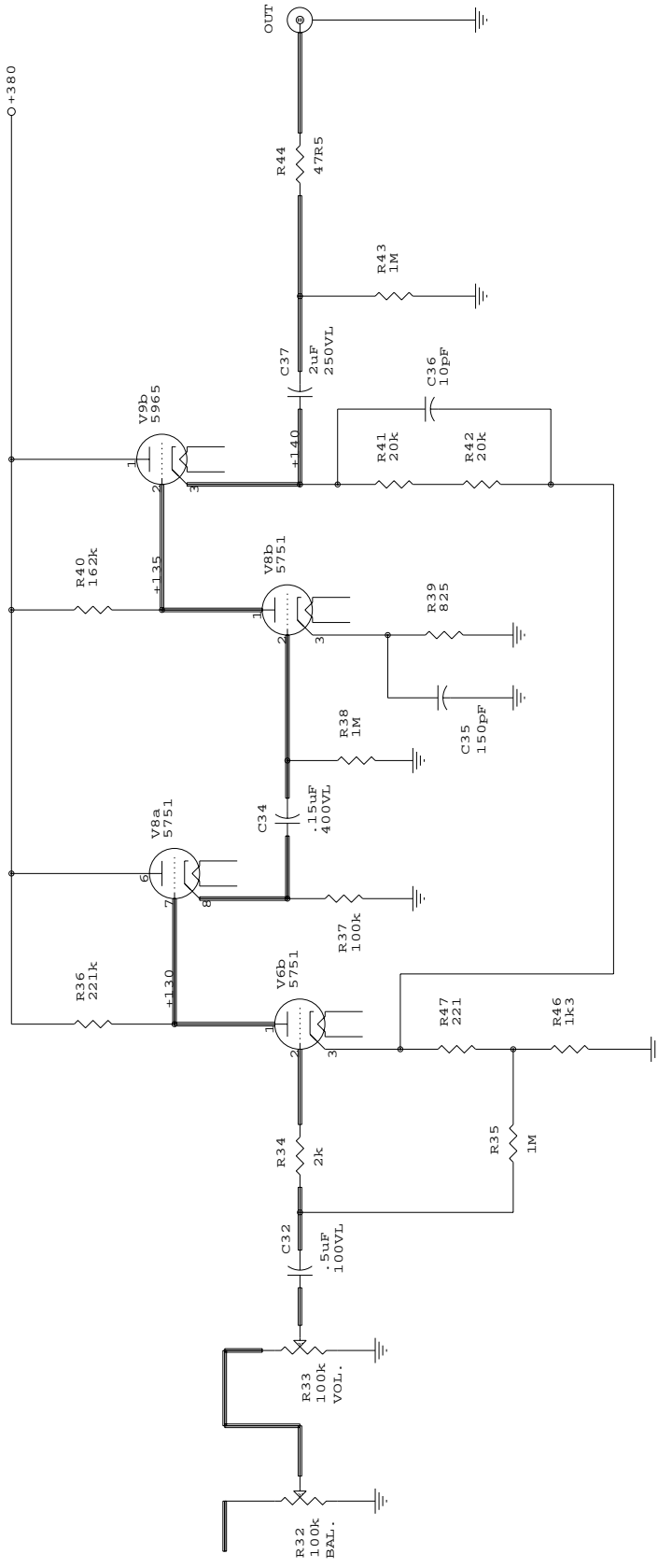
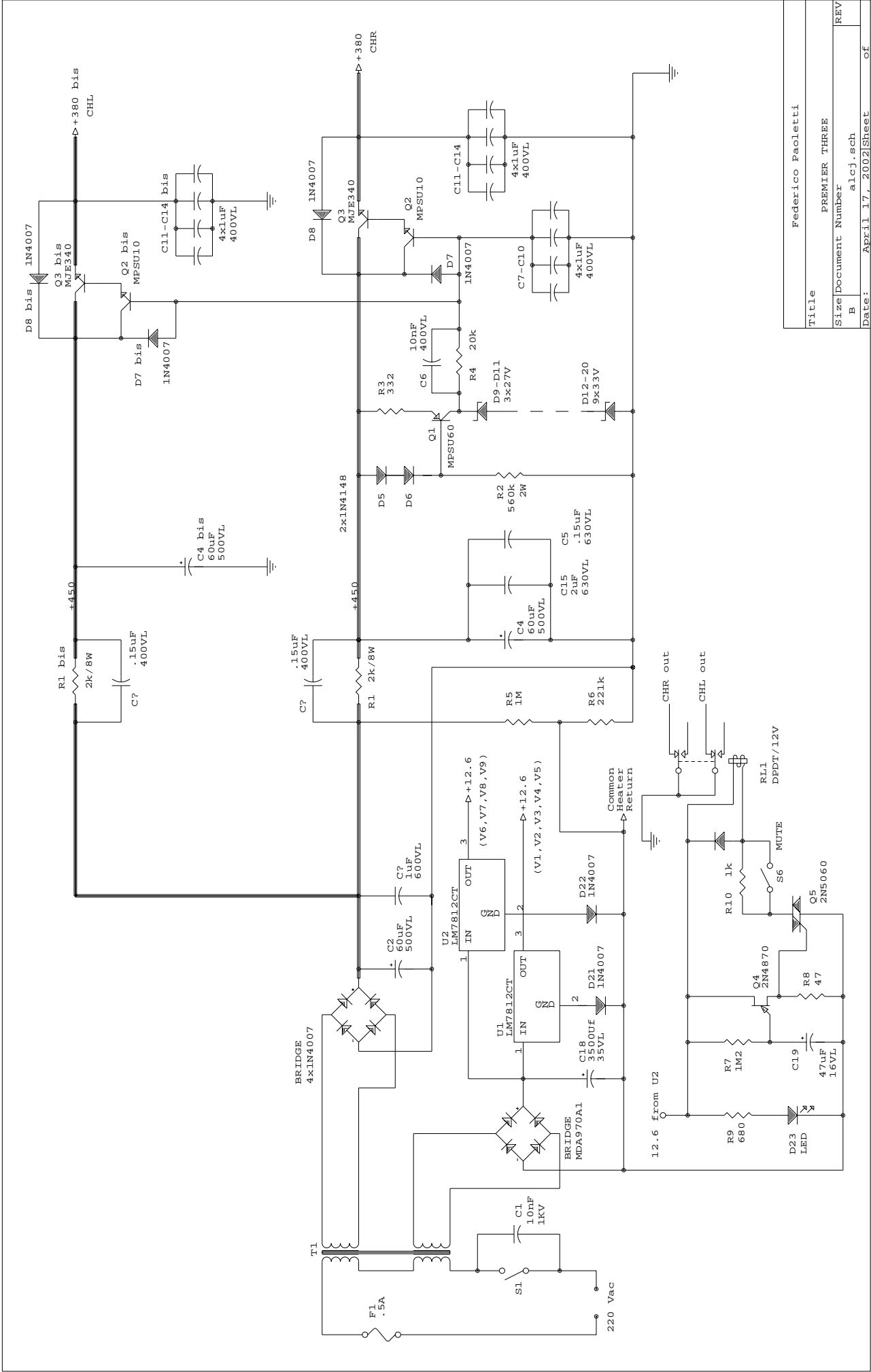


Title		Federico Paoletti
Size		PREMIER THREE
Document Number		cjriaa.sch
B	REV	
Date:	April 17, 2002	Sheet of

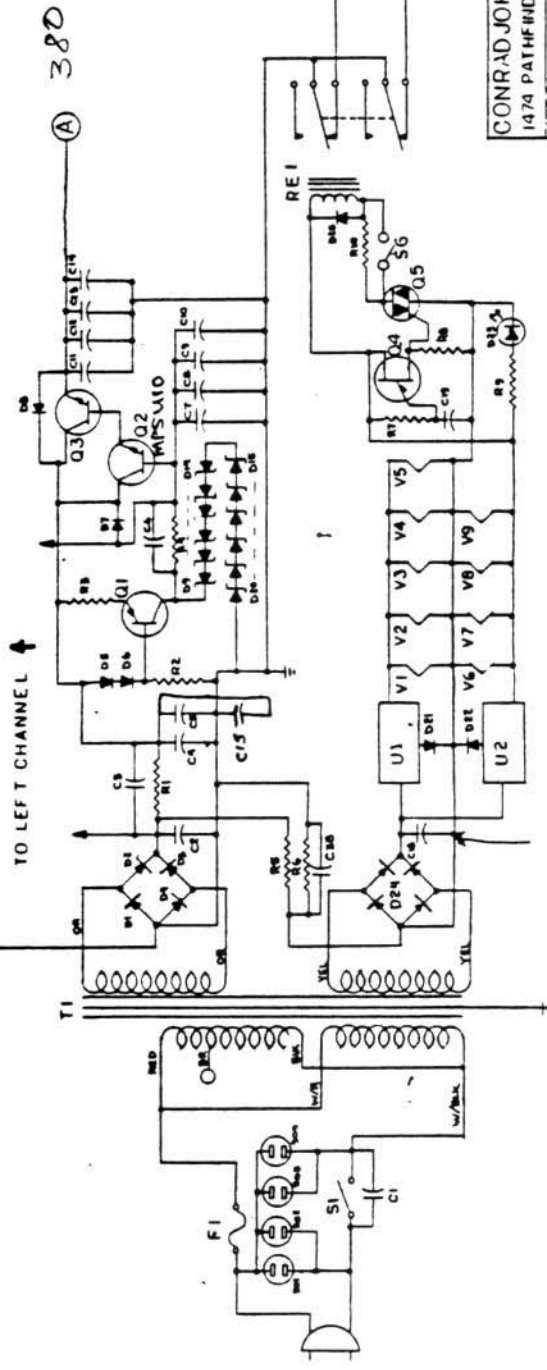
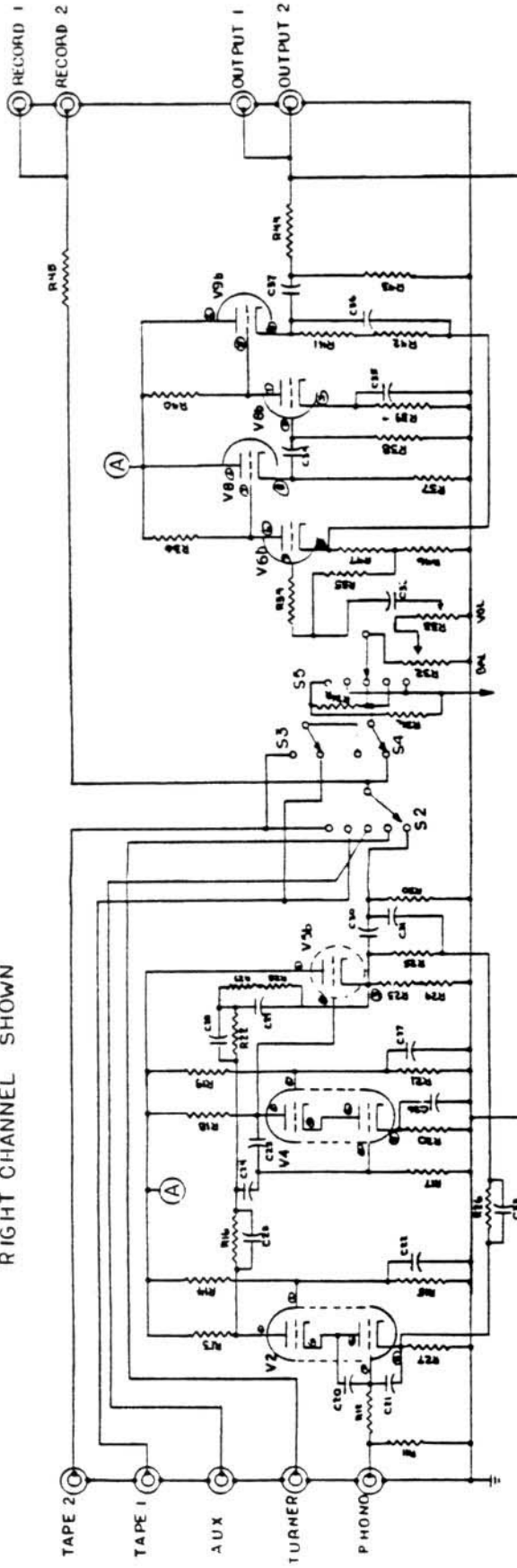


Title		Federico Paoletti	
Size		PREMIER THREE	
Document Number		B	
Date:		April 17, 2002	
Sheet		3	
of		REV	
		c:\line.sch	



Title		Federico Paoletti	
Size		PREMIER THREE	
Document Number		B	
Date:		April 17, 2002	
Sheet		of	

RIGHT CHANNEL SHOWN



CONRAD JOHNSON DESIGN INC
 1474 PATHFINDER LANE MCLEAN VA
 MODEL PREM THRE REVISION LEVEL
 DRAWN BY KJC DATE 4/22/13
 DRAWING NO. 1801

~ 80VDC