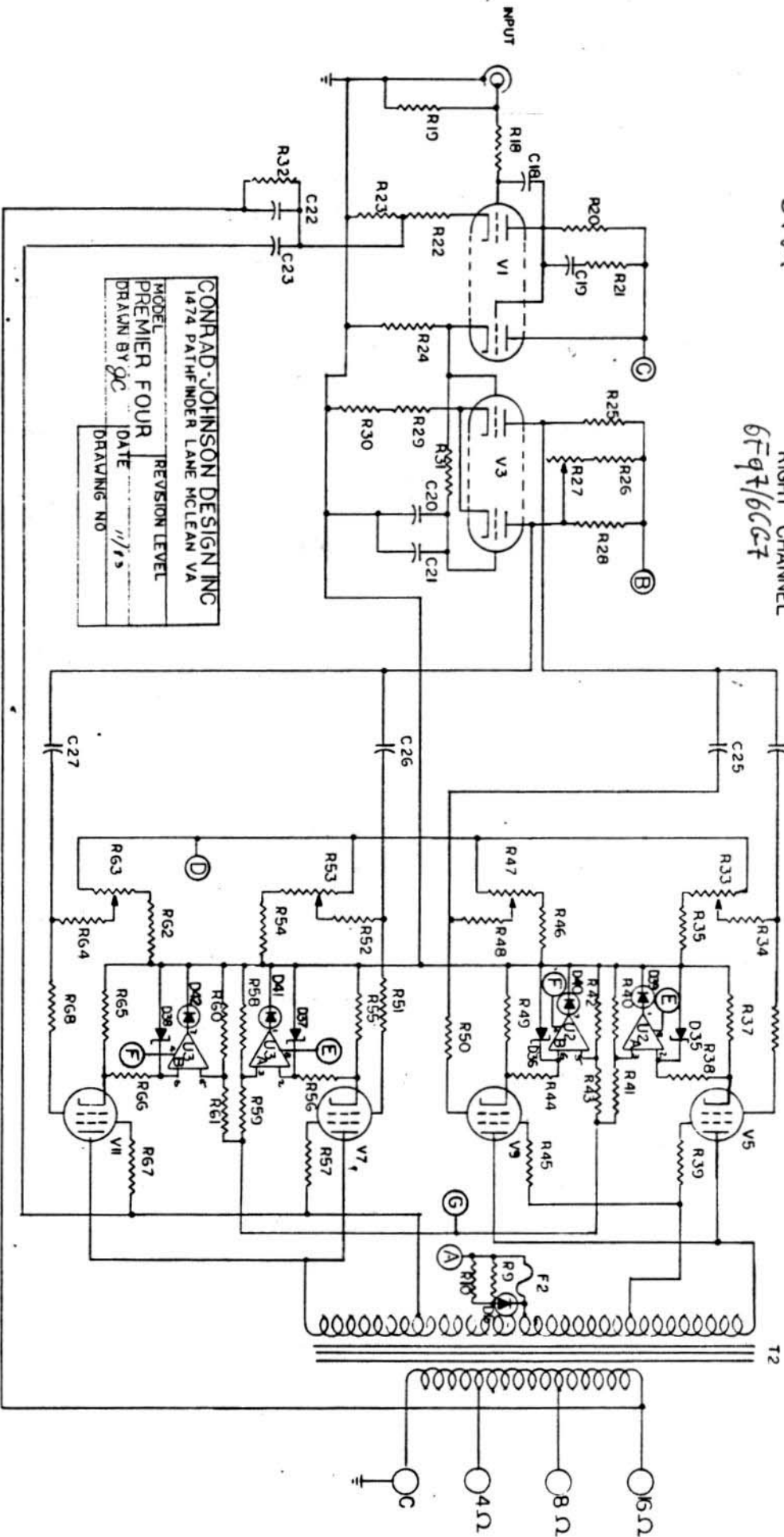


575A

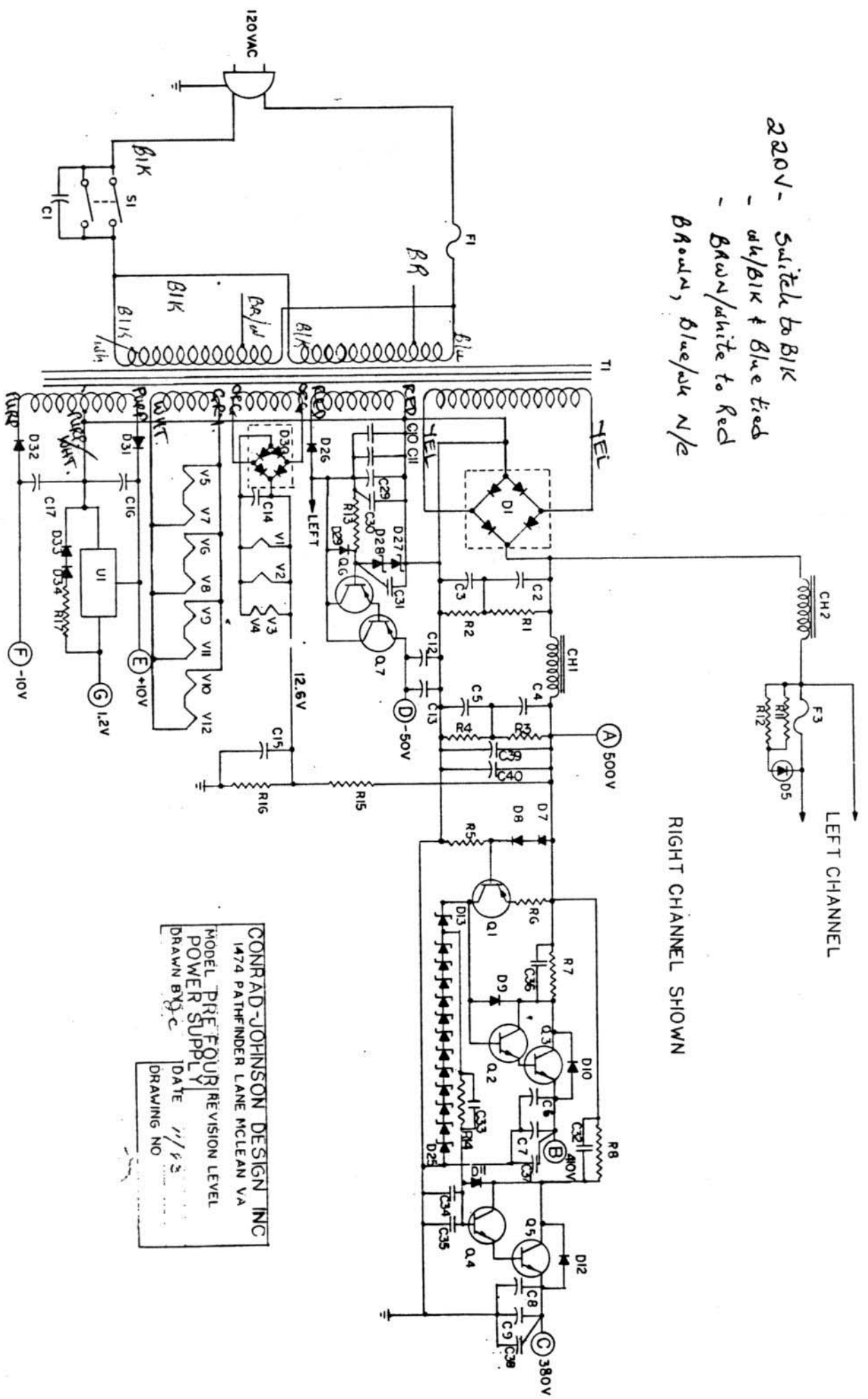
RIGHT CHANNEL
6F97/6CG7



CONRAD-JOHNSON DESIGN INC
 1474 PATHFINDER LANE MCLEAN VA
 MODEL PREMIER FOUR
 DRAWN BY *JC* DATE *11/15*
 REVISION LEVEL
 DRAWING NO

6CA7/EC34

220V - Switch to B1K
 - w/h B1K + Blue tied
 - Brown/white to Red
 Brown, Blue/wk N/E



LEFT CHANNEL
 RIGHT CHANNEL SHOWN

CONRAD-JOHNSON DESIGN INC
 1474 PATHEFINDER LANE MCLEAN VA
 MODEL PRE FOUR
 POWER SUPPLY REVISION LEVEL
 DRAWN BY J.C.
 DATE 11/83
 DRAWING NO.

Premier Four Parts List

component	value/rating	component	value/rating
R1,2,3,4	100K/2W	C22,23	150pf ps
R5	560K/2W	C24,25,26,27	.15ufd,630v CJD
R6	330	C28	unused
R7	1.8K/2W	C29	.15ufd,200v CJD
R8	3.3K/2W	C30	2ufd,200v CJD
R9,10,11,12	270K/2W	C31	1ufd,100v CJD
R13	5.1K/RN65	C32,36	.15ufd,400v CJD
R14	4.75K	C33	.01,600v CJD
R15	1 Meg	C34	1ufd,400v pp
R16	221K	C35	.15ufd,630v CJD
R17	10K/1/4W	C37,38	.15ufd,630v CJD
R18	1K	C39,40	2.0ufd,630v pp
R19	100K	D1	VK1048 30A,1000v rectifier
R20	16K/RN65	D2,3,4	unused
R21	150K/RN65	D5,6	l.e.d.
R22	750	D7,8,33,34	IN4148
R23	90.9	D9,10,11,12,26	IN4007
R24	82.5K/RN65	29,31,32	
R25	20K/RL42	D13-25	IN5257 (33v zener)
R26	100K	D27	IN5254 (27v zener)
R27	500K Var.	D28	IN5251 (22v zener)
R28	24K/RL42	D30	3N253 rectifier
R29,30	10K/RL42	D35,36,37,38	IN5234 (6.2v zener)
R31	1 Meg	D39,40,41,42	l.e.d
R32	5.1K/RN65	Q1	MPSU60
R33,47,53,63	10K Var.	Q2,4	MPSU10
R34,48,52,64	221K	Q3,5	MJE340
R35,46,54,62	18.2K	Q6	MPSU60
R36,50,51,68	1K	Q7	MJE350
R37,49,55,65	20/5W	U1	MC7806 (+6v regulator)
R38,44,56,66	1.2 Meg	U2,3	LF353 (dual op-amp)
R39,45,57,67	20/5W	T1	C126-131
R40,42,58,60	1 Meg/1/4W	T2	C126-130A
R41,43,59,61	560/1/4W	CH1,2	.32HY,600MA DC choke
C1	.047ufd/1000v	F1	10A S.B.,3AG (120v)
C2,3,4,5	1300ufd/350v elect.	F2,3	7A S.B.,3AG (230v)
C6,7	1ufd/630v pp	V1,2	KTK2 (2A,600v)
C8,9	1ufd/400v pp	V3,4	5751
C10,11	50ufd/150v elect.	V5-12	6FQ7/6CG7
C12	2.0ufd/200v pp		6CA7/EL34
C13	.47,100v CJD		
C14	6000ufd/16v elect.		
C15	50ufd/150v elect.		
C16,17	220ufd/10v elect.		
C18	10pf sm		
C19	47pf ps		
C20	.47,400v pp		
C21	.15,400v CJD		