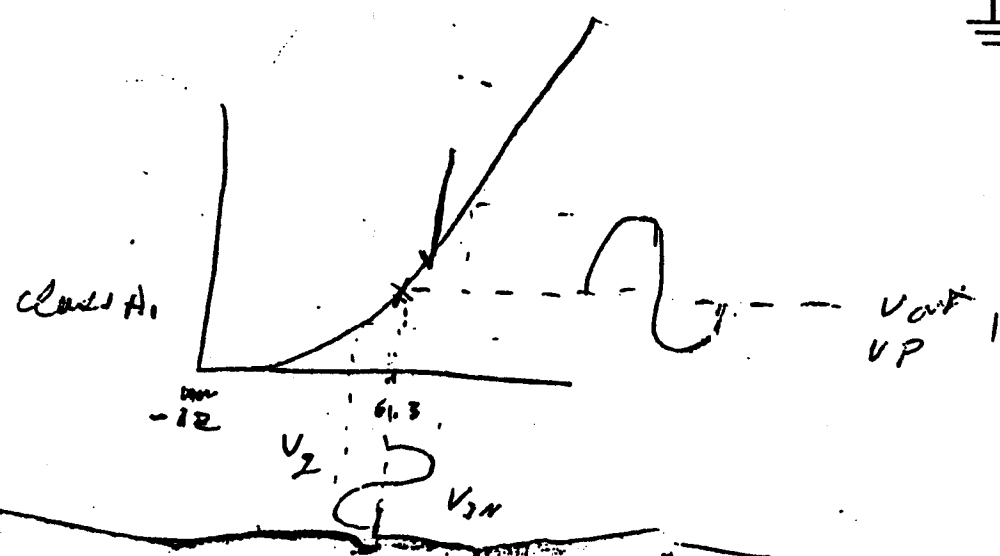


$$1.5 \sqrt{\frac{16}{15}} = \frac{90}{90}$$

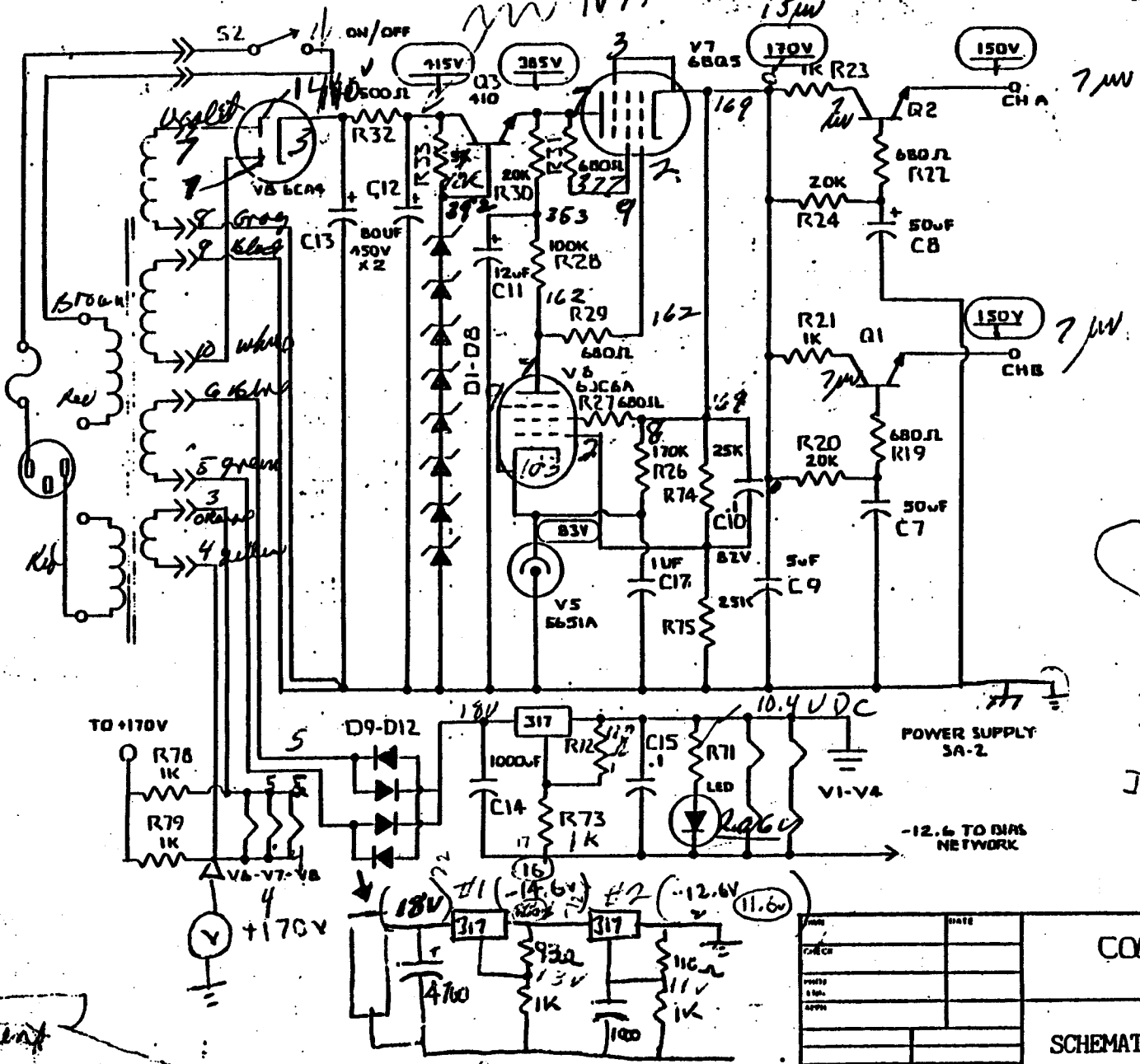
GAIN =  $\approx 15$

⊙ B



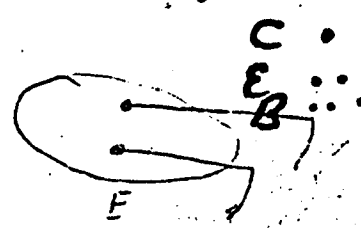
DATE	DATE	COUNTERPOINT	
CHKD			
REV		SCHEMATIC SA2 AUDIO CIRCUIT	
REV		SIZE	DRAWING NUMBER
		C	7002-1
		SCALE	REV

M 3.5U1P  
 W 1V1P



317

VI NO 10V  
 O.O.D

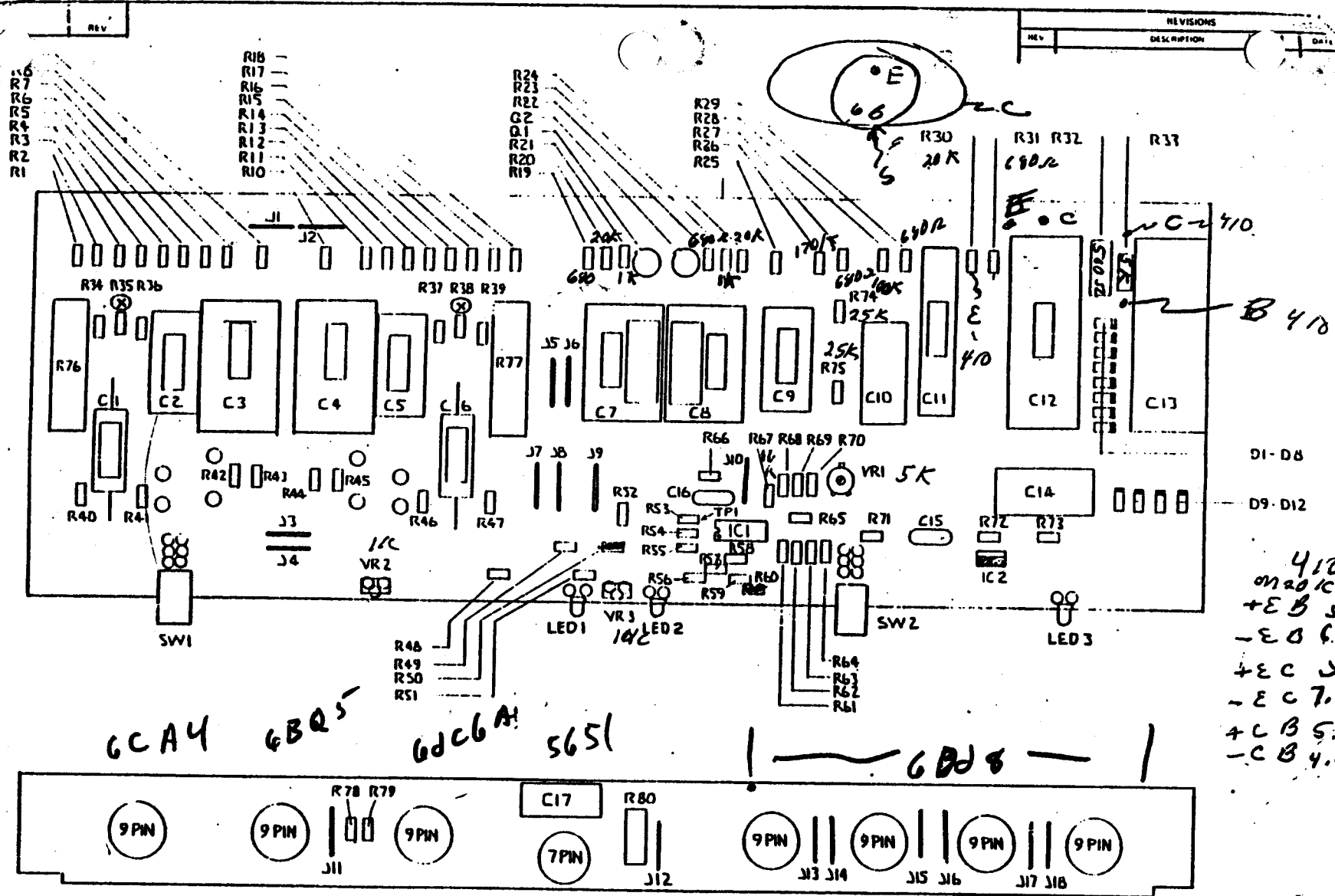


IC #1 IN  
 IC #2 = 1K 100uF

#2  
 LIX317  
 #1  
 LIX317  
 #1  
 min  
 0.04 odd

F. Rant

DATE		COUNTERPOINT	
C/C/C		SCHEMATIC SA2 P.S.	
PARTS		SIZE	DRAWING NUMBER
APPN		C	7002-2
NEXT ASSY		SCALE	SHEET
THIS DOCUMENT CONTAINS PROPRIETARY INFORMATION AND SHOULD BE KEPT SECRET UNLESS OTHERWISE INDICATED BY THIS DOCUMENT OR BY THE COMPANY'S POLICY ON INFORMATION SECURITY		REV	

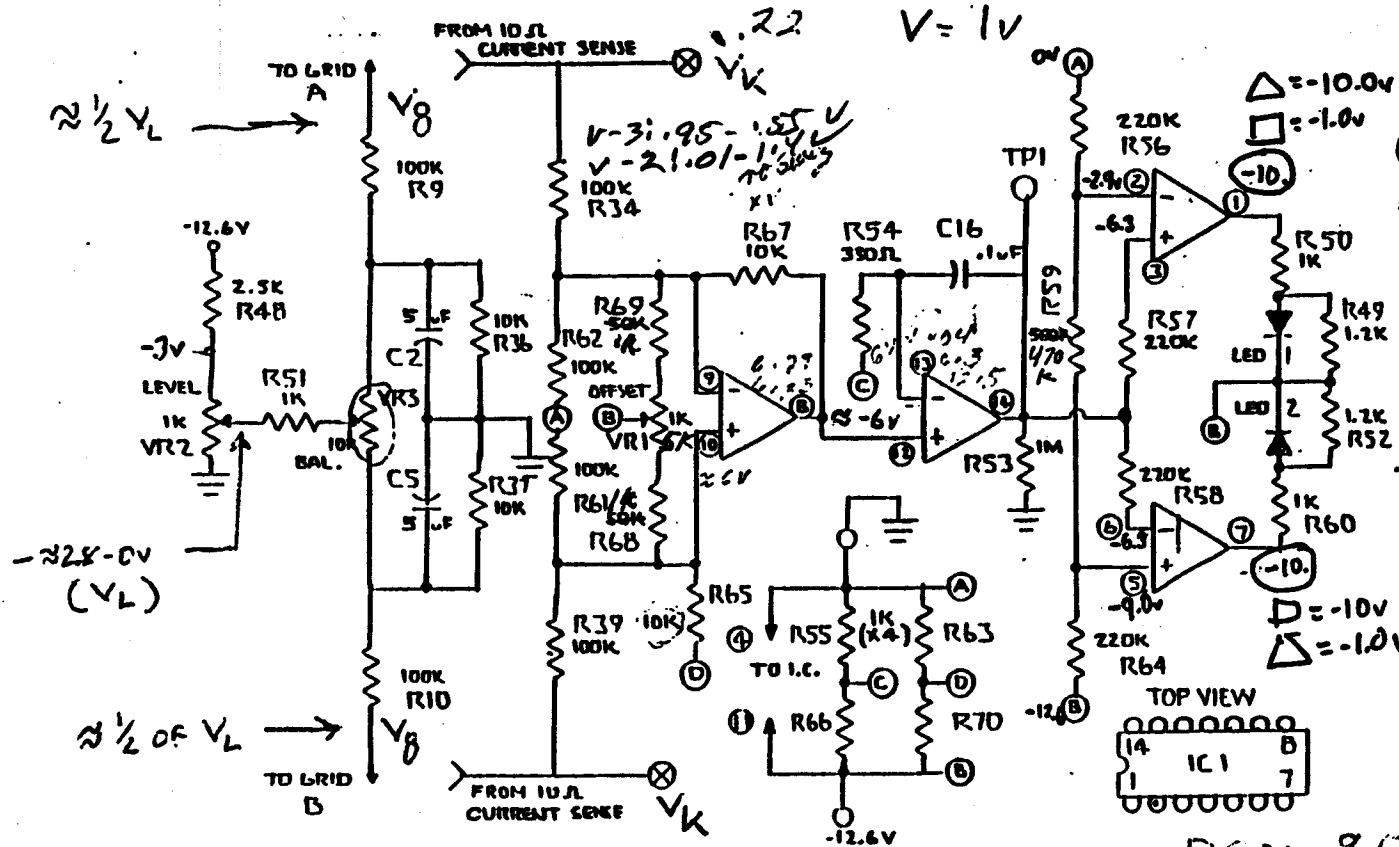


NOTES: UNLESS OTHERWISE SPECIFIED

UNLESS OTHERWISE SPECIFIED INTERPRET DRAWING PER ANSI Y14 DIMENSIONS ARE IN INCHES AND APPLY AFTER PLATING BREAK SHARP EDGES		DATE	CO INTERPOINT ELECTRONIC SYSTEMS, INC. 1044 New Drive New York, New York 10014	
CHKD	DATE	PROJ	PARTS LAYOUT P.C. BOARD, SA-2	
APPV	DATE	APPV		
.XX	X"	DRAWING NUMBER 500Z		
XXX	✓	REV A		
MATERIAL	NEXT ASSY	USED ON	SIZE C	
FINISH	THIS DOCUMENT CONTAINS PROPRIETARY INFORMATION IT MAY NOT BE REPRODUCED OR TRANSMITTED IN ANY FORM OR BY ANY MEANS, ELECTRONIC OR MECHANICAL, INCLUDING PHOTOCOPYING, RECORDING, OR BY ANY INFORMATION STORAGE AND RETRIEVAL SYSTEM, WITHOUT PERMISSION FROM THE AUTHOR.		DRAWING NUMBER 500Z	
SCALE		SHEET		

MC4741

Phase of Red Bal.  $\Delta$   
with U-3



$\Delta$  = -10.0v  
 $\square$  = -1.0v  
 O = with -6.3 @ T.P.  
 $\square$  = with -0.2 @ T.P.  
 $\Delta$  = with -10.0v @ T.P.

12.2K 9.24V  
 2164K 10 7.3  
 3977K 11 0.84  
 90 12 34  
 5111 13 8.18  
 2891 14 7.5  
 2.2.2  
 8.34

10.85  
 11.28

2.53 - 9.5  
 14; 0.15 - 1.7

13: 6.17 - 6.61  
 12: 6.55 - 6.61  
 11: 12.98  
 10: 6.17 - 6.53  
 9: 2.14 - 2.53  
 8: 6.37 - 6.61  
 7: 1.51 - 10.12

5: 9.32 - 9.17  
 6: 0.01 - 0.01  
 3: 7.1 - 10.61  
 2: 2.24 - 2.96  
 1: 1.1

WITH POTS CENTERED  
 $V_8 \approx -0.9v$   
 $V_K \approx .16$  TO  $.22$   
 DEPENDENT ON POTS

.16  
 $V = 1V$   
 6.3

DATE	DATE	COUNTERPOINT	
DESIGN			
APPN		SCHEMATIC SA2 BIAS BALANCE	
REV	REV	SIZE	DRAWING NUMBER