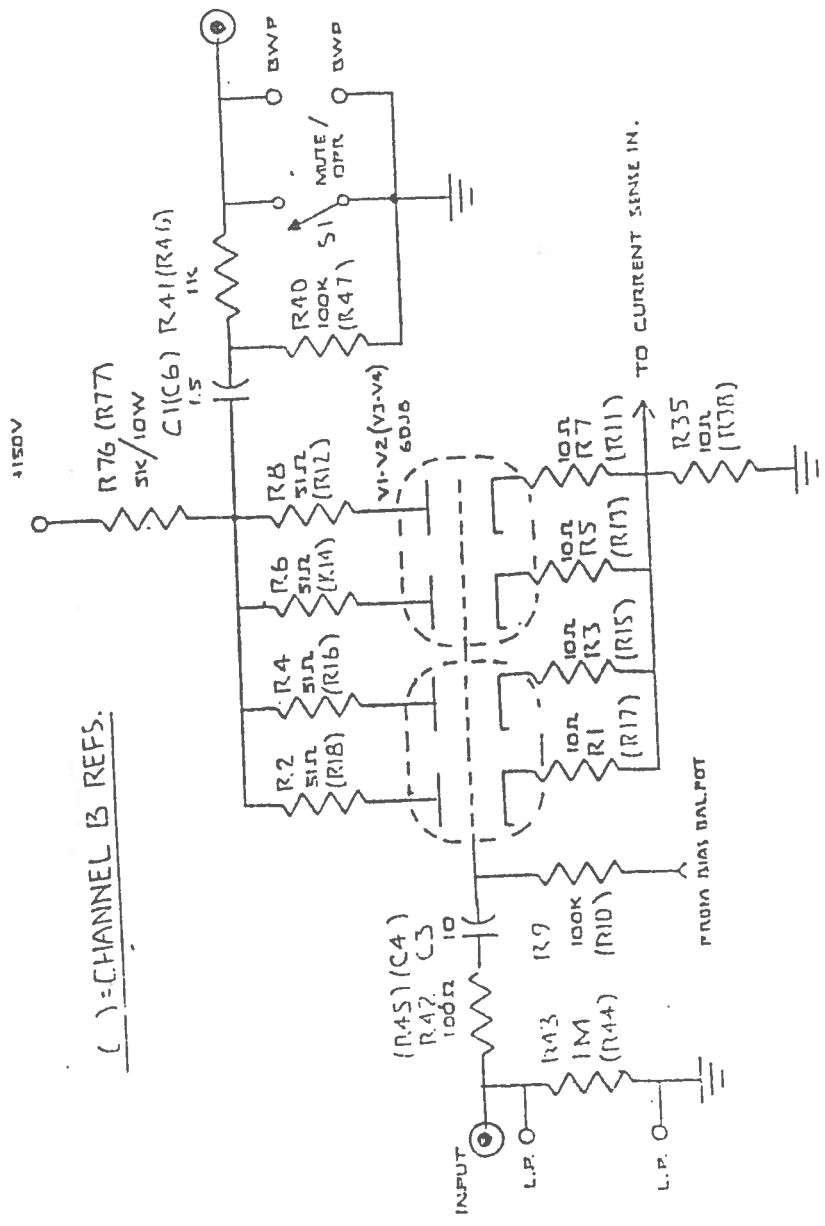


FIG. 1

() = CHANNEL B REFS.



DATE	11-11-61
DESIGNER	
CHECKED	
APPROVED	
REV	
SIZE	C
DRAWING NUMBER	7002-1
REV	

COUNTERPOINT
SCHEMATIC SA2 AUDIO CIRCUIT

Wow! Such design sophistication!