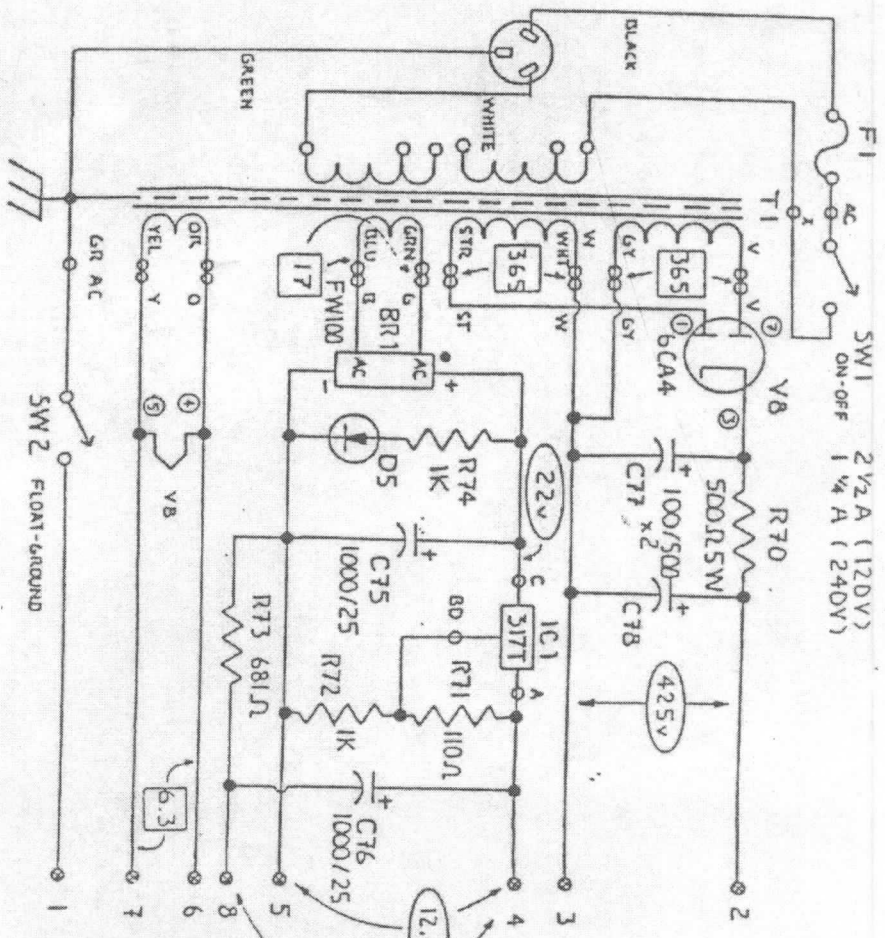


POWER SUPPLY BOX
END



NOTES: 1. All resistors 1/8 Metal Film 1/4 or 1/2 Watt unless otherwise indicated.
2. All capacitors shown Mfd/Voltage

○ = REAR PANEL CONNECTOR,
 PIN N° AND PCD PAD N°.
 ◯ = PCB PAD REF N°.
 ○ = D.C. VOLTAGE
 WITH NOM. 117 VAC
 MAINS.
 □ = A.C. VOLTAGE
 WITH NOM. 117 VAC
 MAINS.
 ○ = TUBE PIN N°.

FILE COPY
NOT FOR RELEASE

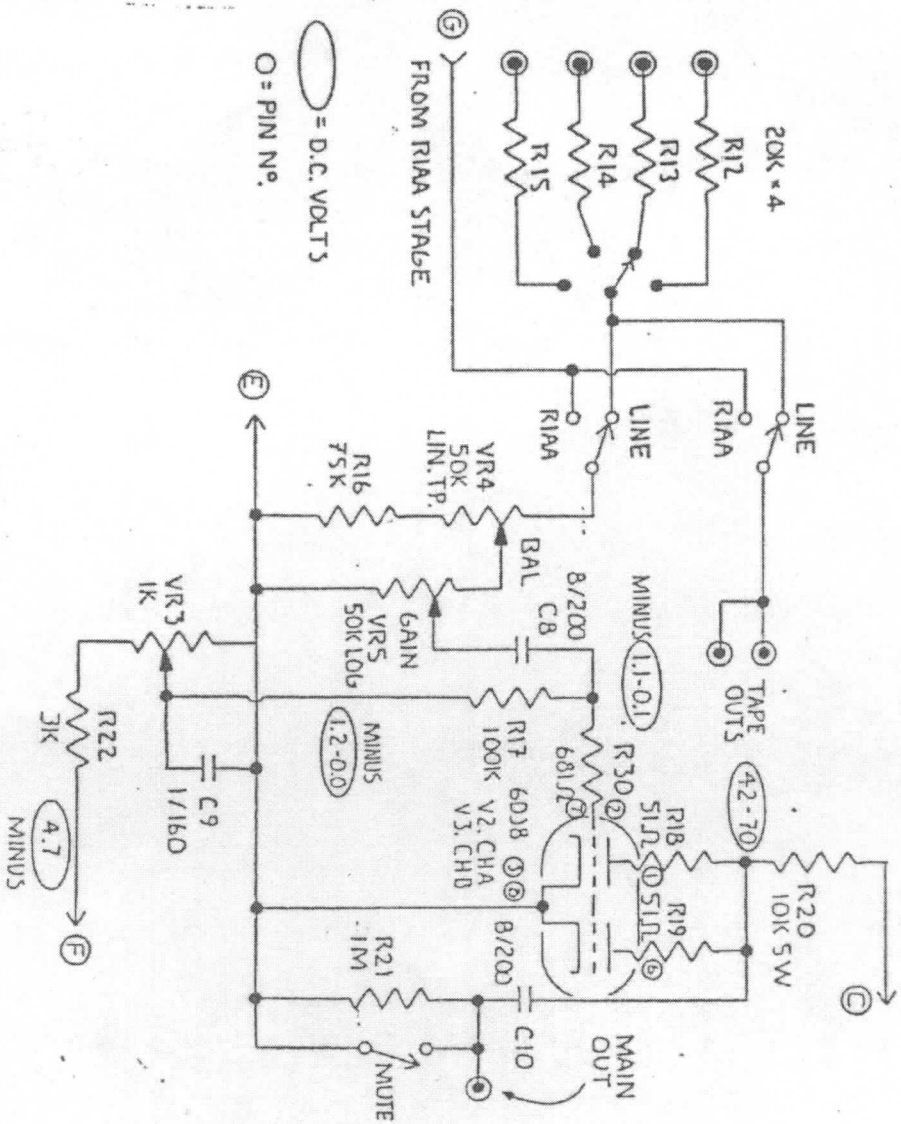
REV	DATE	DESCRIPTION
	<td> </td>	
D.C. POWER SUPPLY, SA-5		

COUNTERPOINT

DRAWING NUMBER

7000 10

REV



- NOTES: Unless otherwise indicated.
1. All resistors $\frac{1}{2}$ Metal Film $\frac{1}{4}$ or $\frac{1}{2}$ Watt.
 2. All capacitors shown as MFD/Voltage.

FILE COPY
NOT FOR RELEASE

COUNTERPOINT

SA-5

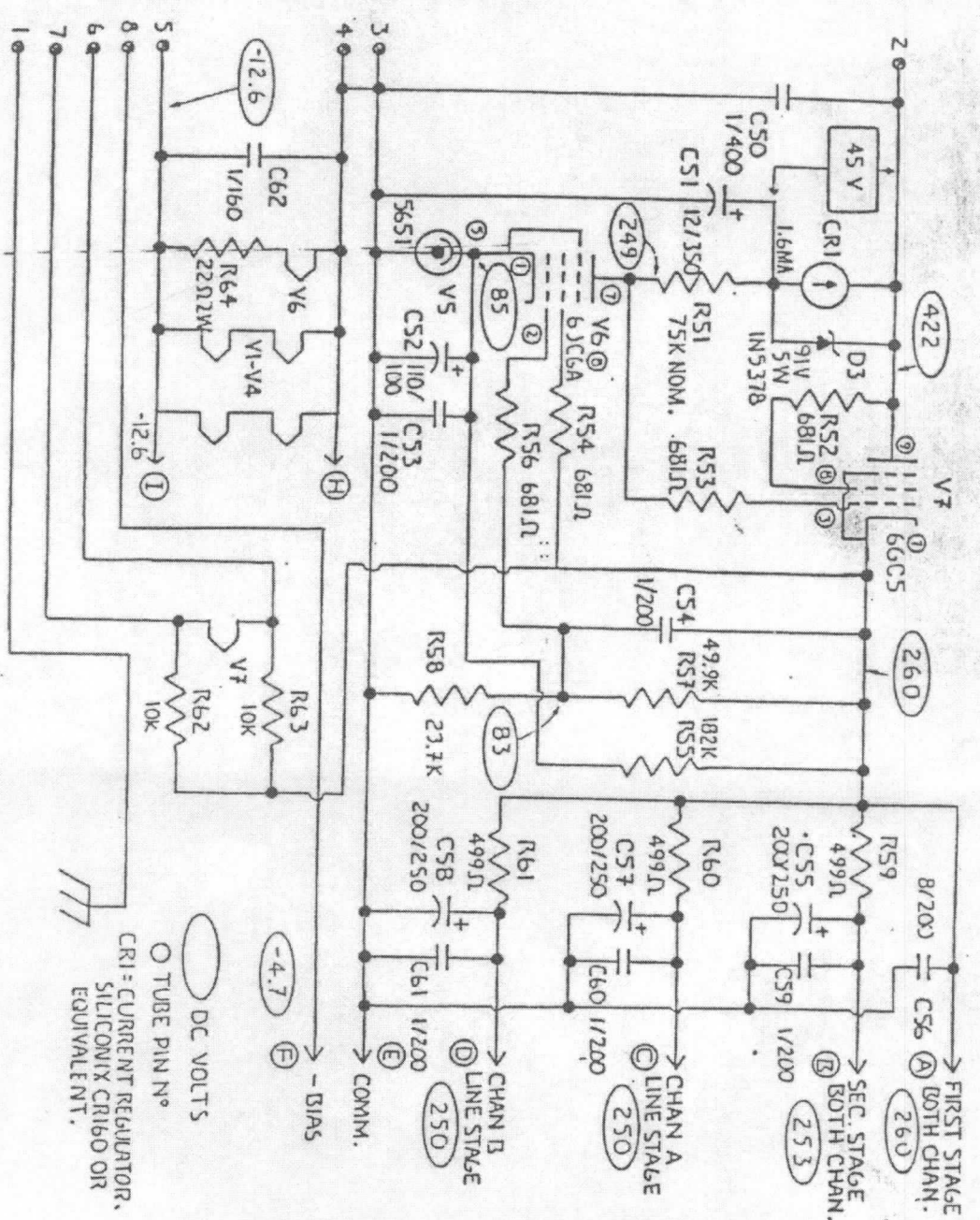
SIGNAL ROUTING AND LINE STAGE

ITEM	DATE	REVISION

THIS DRAWING IS THE PROPERTY OF THE UNITED STATES GOVERNMENT AND IS LOANED TO YOUR ORGANIZATION. IT AND ITS CONTENTS ARE NOT TO BE REPRODUCED OR TRANSMITTED IN ANY FORM OR BY ANY MEANS, ELECTRONIC OR MECHANICAL, INCLUDING PHOTOCOPYING, RECORDING, OR BY ANY INFORMATION STORAGE AND RETRIEVAL SYSTEM, WITHOUT PERMISSION FROM THE GOVERNMENT.	NEXT ASSY UNIT NO.
---	-----------------------

SCALE	SIZE	DRAWING NUMBER	KEY
C		7005-415	

SHEET 3 OF 3



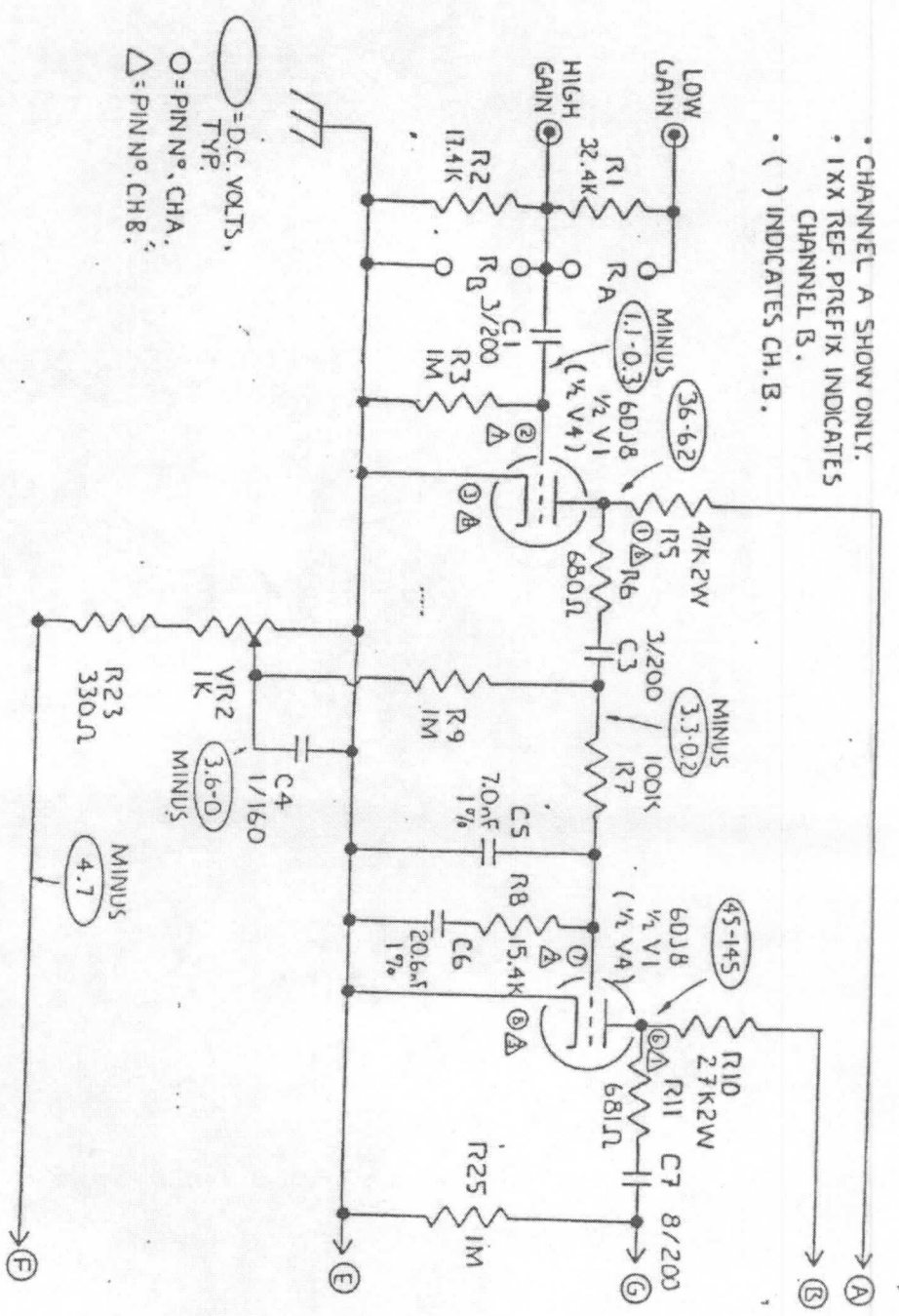
NOTES: Unless otherwise indicated,
 1. All resistors 1% Metal Film 1/4 or 1/2 Watt.
 2. All capacitors shown as Mfd/Voltage.

○ DC VOLTS
 ○ TUBE PIN No
 ○ CRI = CURRENT REGULATOR,
 SILICONIX CRI50 OR
 EQUIVALENT.

FILE COPY
 NOT FOR RELEASE

DATE	REV	VOLTAGE REGULATORS AND ROUTING SA-5 DRAWING NUMBER 7005-2S
DESIGNED BY	REV	
CHECKED BY	REV	
APPROVED BY	REV	
TITLE VOLTAGE REGULATORS AND ROUTING		DRAWING NUMBER 7005-2S

- CHANNEL A SHOW ONLY.
- 1XX REF. PREFIX INDICATES CHANNEL B.
- () INDICATES CH. B.



○ = D.C. VOLTS, TYP.
 ○ = PIN N^o. CHA.
 △ = PIN N^o. CH B.

- NOTES:** Unless otherwise indicated.
1. All resistors 1/8 Metal Film 1/4 or 1/2 Watt.
 2. All capacitors shown as Mfd/Voltage.

FILE COPY
 NOT FOR RELEASE

FORM NO. 100-10	REV. 1
DATE	1/1/60
BY	WJL
CHKD	WJL
APPROVED	
COUNTERPOINT	
SA-5	
RIA A STAGE	
SIZE	DRAWING NUMBER
REV	

SERIAL # _____

DUCT SA-5.1, MAIN PCB PRODUCTION INVENTORY LIST *Continued*

QUANTITY RUN _____

DESIGNATION	DESCRIPTION	QTY/PER	QTY/REQ'D	COMPLETE	E
C7,10,107,110	C.47/210 (pull only for ORIENT)	4			
BYPASS	C.47/210	14			
C53,54	C1/210V	2			
C3,4,9,102, 104,109	C1/160 (MCP-10)	6			
C1,3,7,101, 103,107	C3/210	6			
C8,10,56, 103,110	C8/210	5			
C51	C10/400 (39D)	1			
C52	C110/100 (39D)	1			
C55,57,58	C200/250 (39D)	3			
C301	C1000/25 RL	1			
SW1	SW-LORLIN-1	1			
SW2,3,4,6	SW-SPDT-RA	43			
SW5	SW-SPDT-RA	1			
SW6	SW-SPDT-RA-SH	1			
2 VR2,3,102,103	VR1KPT10V	4			
3 VP1	VOLPOT (K272)	1			
54 BP2	BALANCE POT 1 Potentiometer	2			
55 TM1	TMTOWER (CONCORD 10-331-2-04)	27			
56 MJ	MICROJACK (CONCORD 099024-1-04)	8			

SERIAL # _____

PRODUCTION INVENTORY LIST

DUCT SA-5 AB MAIN PCB

QUANTITY RUN _____

#	DESIGNATION	DESCRIPTION	QTY/PER	QTY/REQ'D	COMPLETE	RE
	R6,11,30,52,53, 54,56,106,111,130	R681R	.6	10		
	R17,117 Rb package =2	R100K DNO	.6	4		
	R8,108	R15.4K DNO	.6	2		
	R5,105	R47K MO2W		2		
	R10,110	R27K MO2W		2		
	R13,19,118,119	R49.9R	.6	4		
	R58	R23.7K	.6	1		
	R57	R100K + R86.6K R47K MO2W	.6	1		
	R59,60,61	R499R	.6	3		
0	R1,101	R32.4K	.6	2		
1	Rb, Rb	R17.4K DNO	.6	2		
2	R3,9,21,25, 103,109,121,125	R1.00M	.6	8		
3	R4,22,104,122	R3.32K	.6	4		
4	R20,120	R10.0K WW SW		2		
15	R12,13,14,15 112,113,114,115	R127R MK2 (ONLY)	.4	8		
16	R16,116	R75K	.6	2		
17	R206	R1.00K	.5	1		
18	R207	R10.0K	.5	1		
19	R205,208	R475R	.5	2		

SERIAL # _____

DUCT SA-5.1, MAIN PCB PRODUCTION INVENTORY LIST
CONTINUED

QUANTITY RUN _____

#	DESIGNATION	DESCRIPTION	QTY/PER	QTY/REQ'D	COMPLETE
	R301	R475R .6	1		
	R55	R182K .6	1		
	R23,123	R332R .6	2		
	7204	R47.5K .5	1		
	Rb package	R47.5K	2		
	R140	R1.00K .6	1		
	R40,140	R301K .6	2		
5.5	R7,107	R121K .6	2		
7	D2	1N914 .5	1		
3	D3	1N5377B	1		
9	D301	1N5404	1		
0	CR1	1N5303	1		
1	Q1,2,3	PN2222	3		
12	JIMPER	RO	9		
33	L.E.D.	LED2COLOR	1		
34		C3PF 0M	4		
35		C10PF 0M	2		
36	C6,106	C.0206/630	2		
37	C5,105	C7000PF	2		